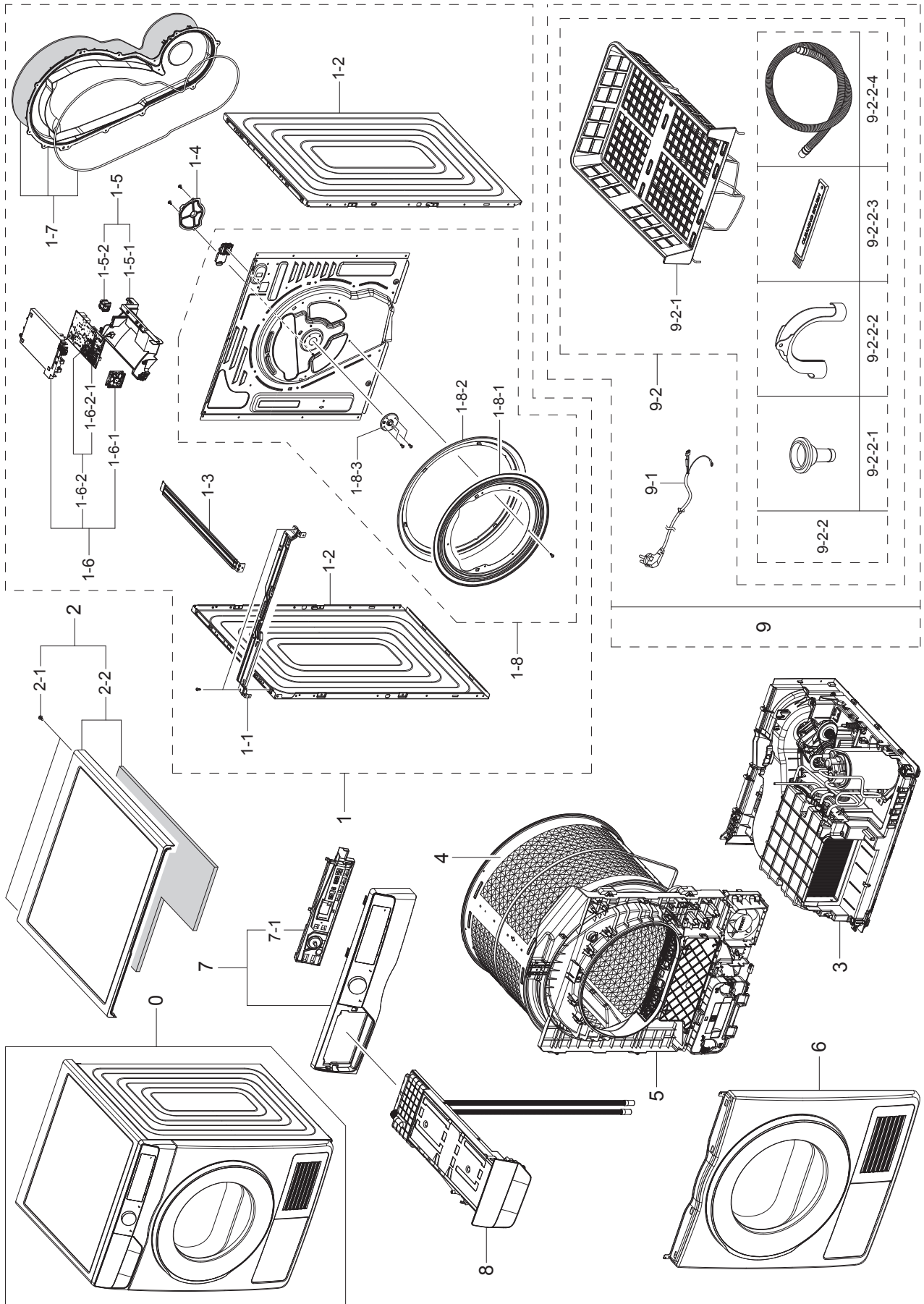
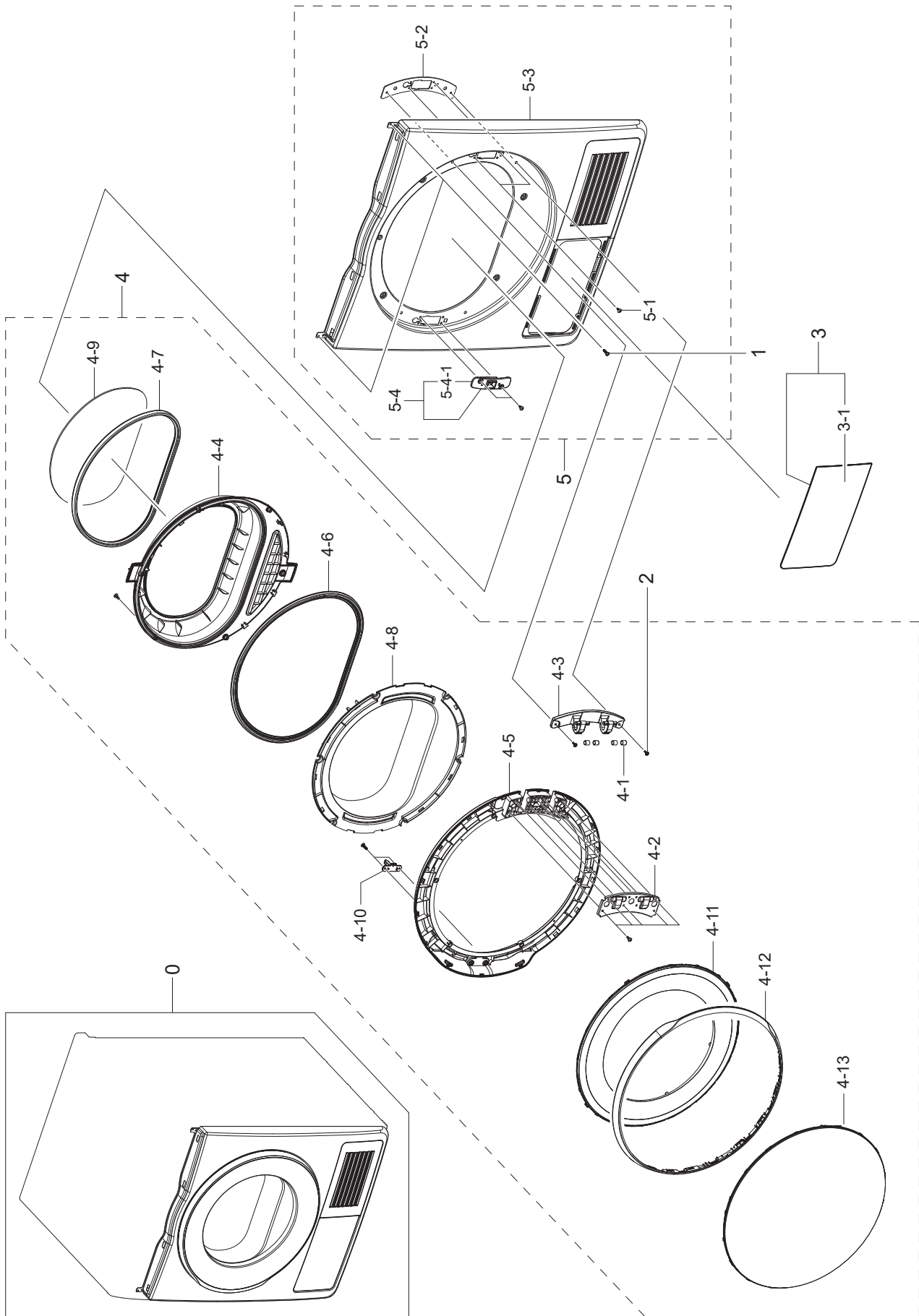


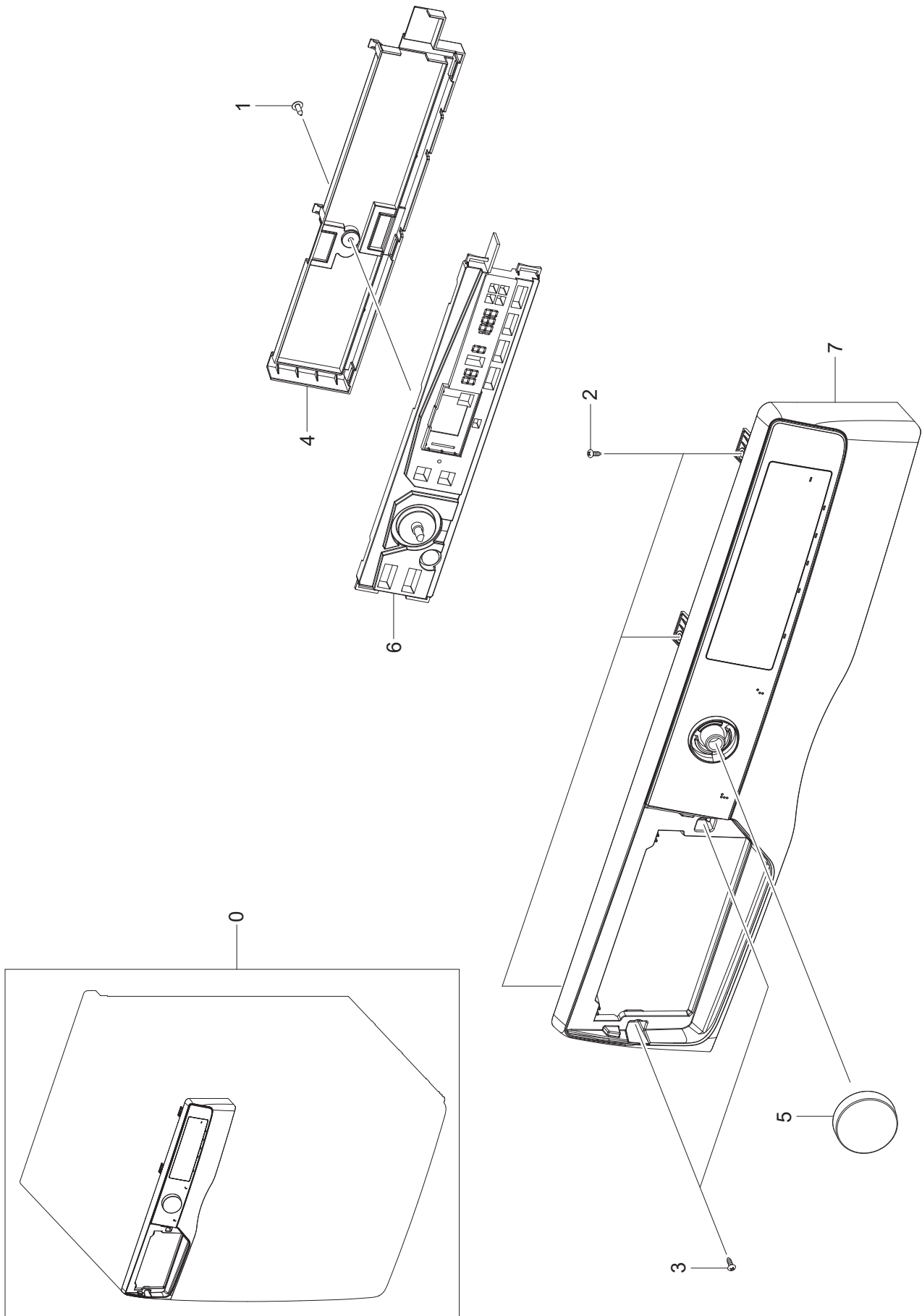
5-1. MAIN



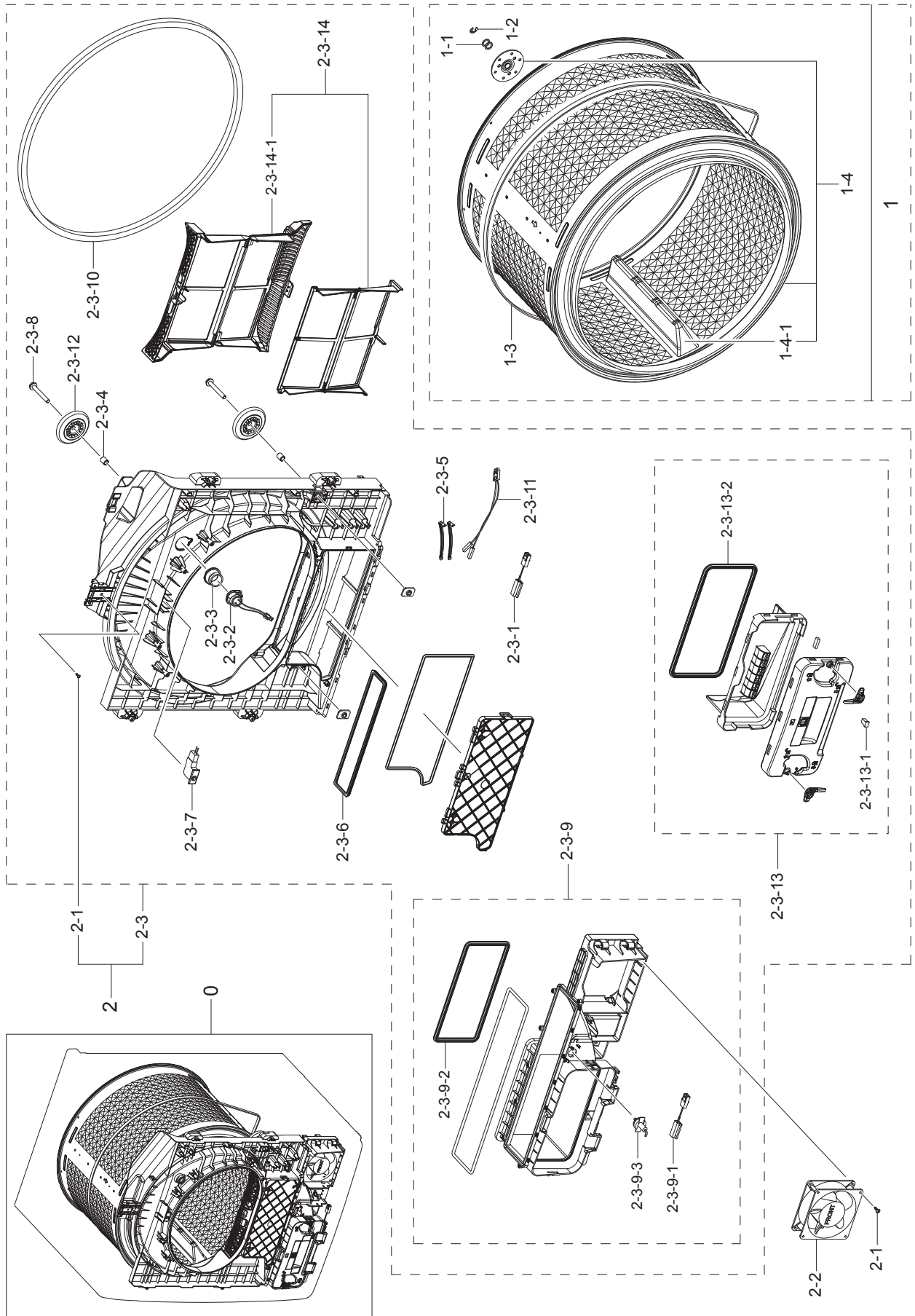
5-2. ASSY FRONT PARTS



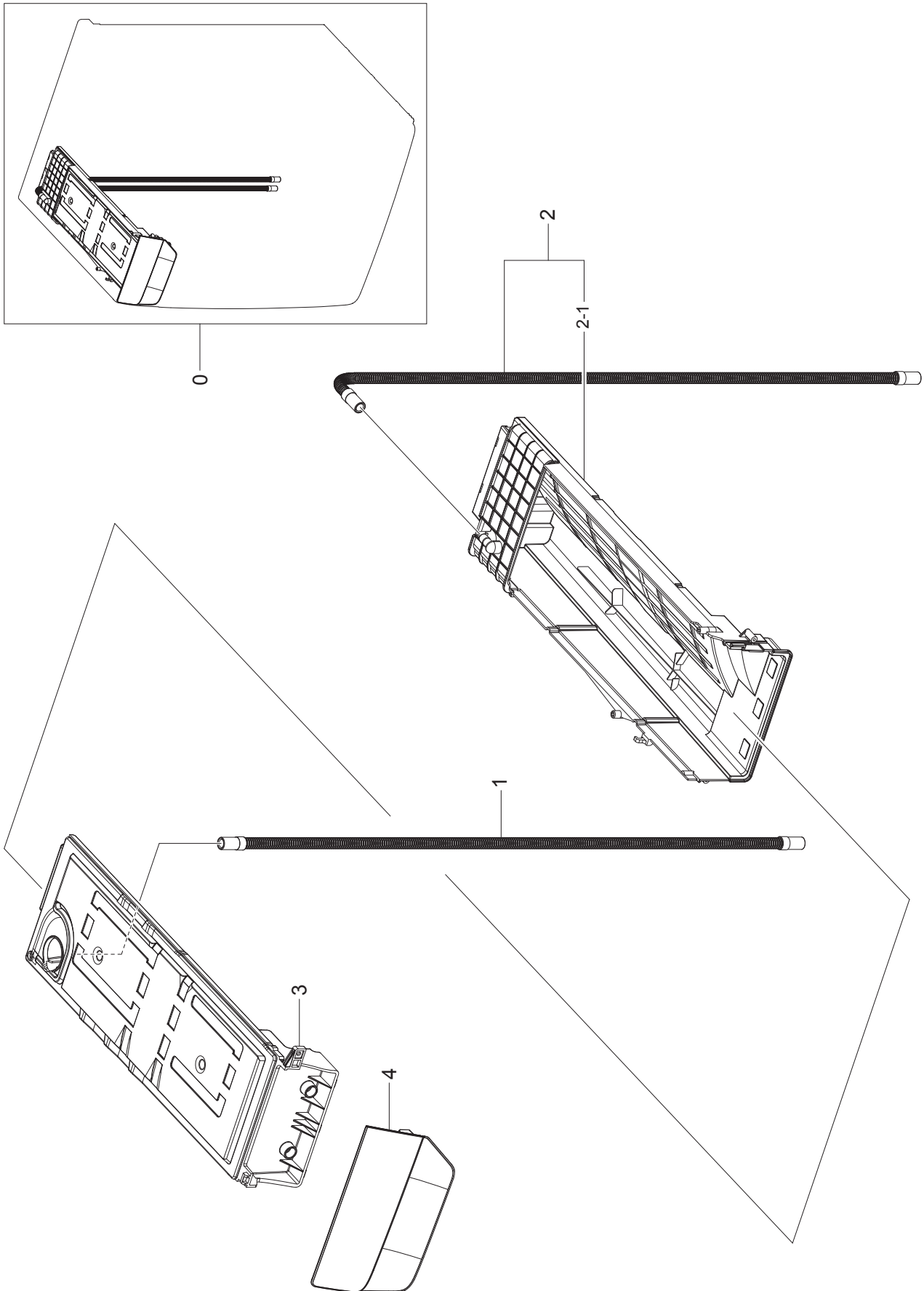
5-3. ASSY PANEL CONTROL PARTS



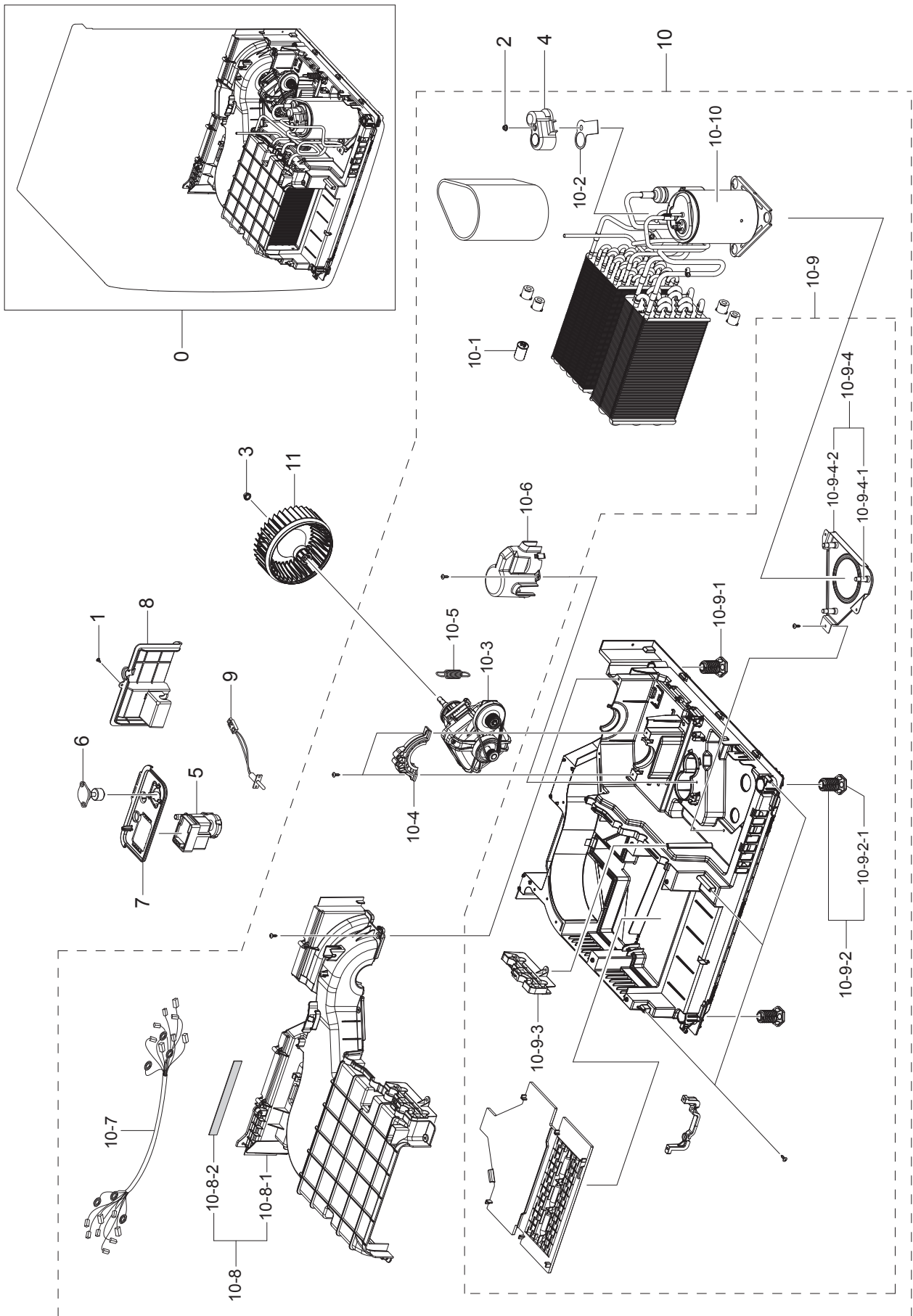
5-4. ASSY DRUM & ASSY INNER PARTS





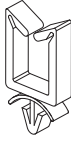
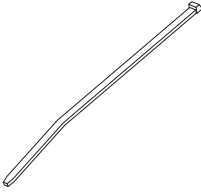

5-5. ASSY DRAWER PARTS



5-6. ASSY BASE PARTS



5-7. SMALL PARTS

				
1	2	3	4	5

MODEL CODE: DV90T8240SH/S3

Service Bom (**SA**: SERVICE AVAILABLE, **SNA**: SERVICE NOT AVAILABLE)

Drawing No.	Code No.	Description	Specification	Install. Point	QTY	Un	SA/SNA
1	DC61-40081A	HOLDER WIRE	DAWH-2NC,PA66,NATURAL	ASSY FRAME-REAR	1	PC	SA
2	DC61-60074A	HOLDER WIRE	PA,NATURAL,101F,rectangle	ASSY DRUM FRONT	1	PC	SNA
2	DC61-60074A	HOLDER WIRE	PA,NATURAL,101F,rectangle	FRAME REAR	1	PC	SNA
3	DC61-00553B	CABLE CLAMP	DAWS-3NE,PA66,NTR	ASSY DRUM FRONT	2	PC	SNA
3	DC61-00553B	CABLE CLAMP	DAWS-3NE,PA66,NTR	ASSY BOTTOM	1	PC	SNA
4	DC65-10001A	CABLE TIE	CT-140,T1.1,W3.5,L145,NTR, NYLON66	ASSY ACCESSORY	2	PC	SNA
5	DE65-20026A	HOLDER WIRE	PA,NATURAL,LOCK-TWIST/STAND/Y260STC/SSEC/ NYLON66	GUIDE AIR FLOW	1	PC	SNA
5	DE65-20026A	HOLDER WIRE	PA,NATURAL,LOCK-TWIST/STAND/Y260STC/SSEC/ NYLON66	FRAME REAR	2	PC	SNA