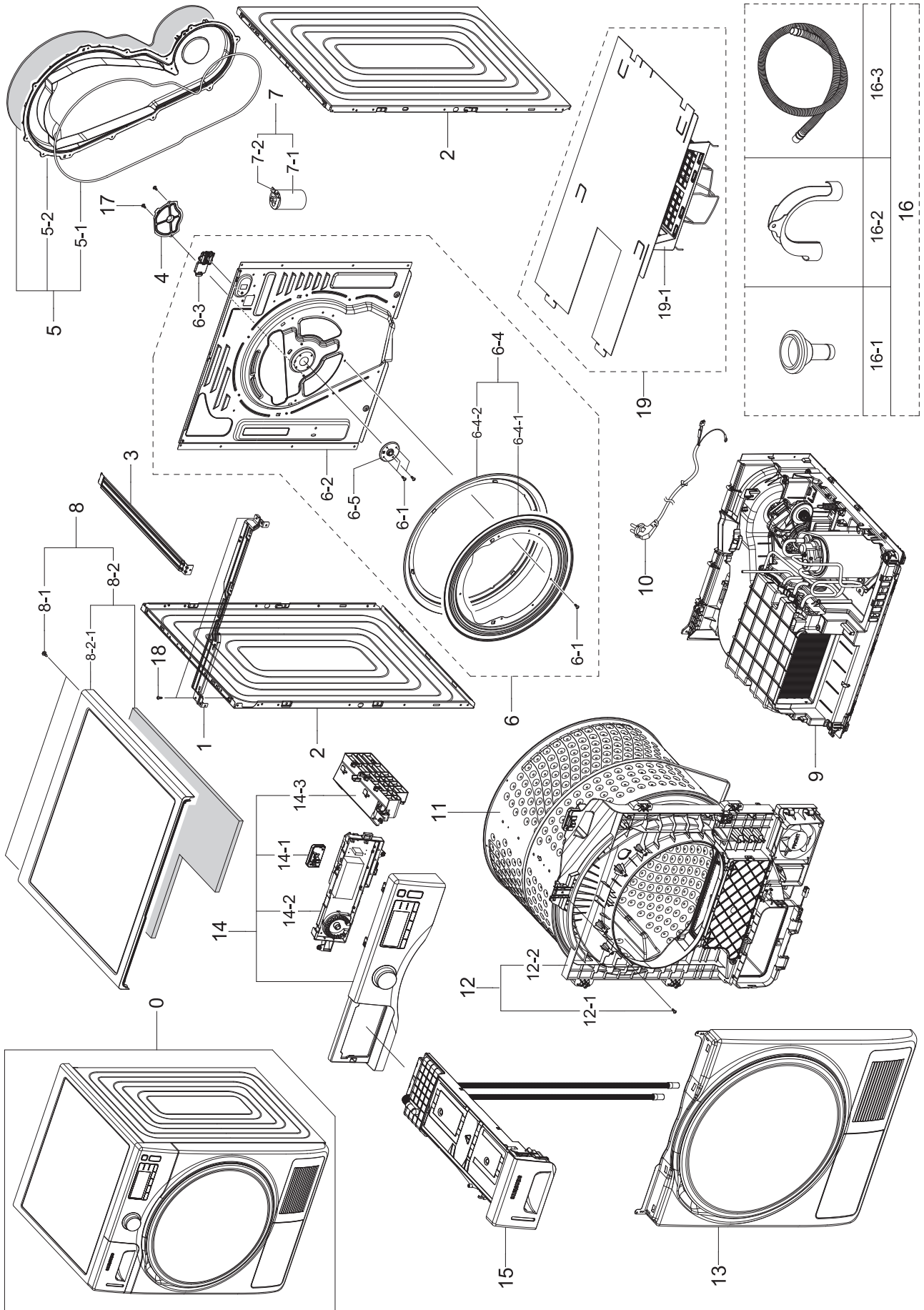


# 1. MAIN



## MODEL CODE (DV90M8204AW/ET\_V11)

Service Bom (SA: SERVICE AVAILABLE, SNA: SERVICE NOT AVAILABLE)

SVC Code	Code No.	Description	Specification	QTY	Un	SA/SNA
0	DV90M8204AW/ET_V11	ASSY-CLOTHES DRYER	DV6000M			
1	DC61-03629A	FRAME PLATE-UP	DV90F5E6HGW,GI-SGCC,T1.0	1	PC	SA
2	DC61-03638A	FRAME-SIDE	DV90F5E6HGW,EGI-SECC,-,DA WHI	2	PC	SA
3	DC61-03639A	GUIDE WIRE	DV90F5E6HGW,GI-SGCC,T1.0	1	PC	SA
4	DC63-01263A	COVER BEARING	SDC18809,EGI-SECC,T0.8,W10	1	PC	SA
5	DC93-00720A	ASSY COVER DUCT	DV5000M,PP+Packing-Tub+S	1	PC	SNA
5-1	DC62-00377C	SEAL DUCT	DV90F5E6HGW,EPDM,BLACK,-,L1840	1	PC	SA
5-2	DC63-02060A	COVER DUCT FAN	DV80M8215AW/EG,PP,HB,DARK	1	PC	SA
6	DC97-20441A	ASSY FRAME-REAR	DV5000M,dv500f,ETC,-	1	PC	SNA
6-1	6002-000239	SCREW-TAPPING	TH,+,NO,2S,M4,L8,ZPC(WHT),	8	PC	SNA
6-2	DC61-03637B	FRAME-REAR	DV80M8215AW,GI-SGCC,T0.7	1	PC	SA
6-3	DC63-01964A	COVER CONNECTOR	PP,T2.5,HB,NATURAL,HASS	1	PC	SNA
6-4	DC93-00093A	ASSY GASKET FELT SUB	GE24-DRYER,DCVH480E	1	PC	SA
6-4-1	DC61-02263A	BRACKET GASKET FELT	DCVH480EK0WW,STS430,	1	PC	SA
6-4-2	DC93-00093A	ASSY GASKET FELT SUB	GE24-DRYER,DCVH480E	1	PC	SA
6-5	DC97-16288A	ASSY HOUSING BEARING	D100-PJT,SDC18809(O	1	PC	SA
7	DC97-20185A	ASSY FILTER GUIDE	DV8000M,DV80M8214AW,FI	1	PC	SNA
7-1	DC29-00015G	FILTER EMI	LFT-215G,300Khz,VDE, KS,6.5mH	1	PC	SA
7-2	DC61-04408A	BRACKET FILTER	DV80M8215AW/EG,GI-SGCC,T0	1	PC	SA
8	DC90-24930A	ASSY COVER TOP PARTS	DV5000M	1	PC	SNA
8-1	6002-001431	SCREW-TAPPING	HEX,+,2,M5,L16,ZPC(WHT),SW	2	PC	SA
8-2	DC97-20438A	ASSY COVER TOP	DV5000M,3.5,DA WHITE	1	PC	SA
8-2-1	DC63-01606A	COVER TOP	DV90F5E6HGW,ABS,T3.5,-,DA WHIT	1	PC	SA
9	DC90-24987A	ASSY BASE PARTS	DV5000M	1	PC	SNA
10	3903-001192	CBF-POWER CORD	AT,EU3F,Gray,1500,H05VV-F	1	PC	SA
11	DC90-15484A	ASSY DRUM	DV8000H	1	PC	SNA
12	DC90-25337A	ASSY INNER PARTS	DV8000H,DV91M8204AW/EG	1	PC	SNA
12-1	6006-001174	SCREW-TAPPING	TH,+,WT,2S,M4,L12,ZPC(WHT)	1	PC	SNA
12-2	DC97-19978H	ASSY DRUM FRONT	DV91M8204AW/EG	1	PC	SA
13	DC90-25336A	ASSY FRONT PARTS	DV8000M,DV91M8204AW/EG	1	PC	SNA
14	DC90-25391A	ASSY PANEL CONTROL PARTS	DV90M8204AW/ET	1	PC	SNA
14-1	DC92-01888C	ASSY KIT	FCD_INV,DV8000M,ASSY WIFI	1	PC	SA
14-2	DC92-02025A	ASSY KIT	FWM_INV,DV8000M,INVERTER, 9KG,	1	PC	SA
14-3	DC92-02029A	ASSY KIT	WM PF2 VE,DV8000M INV,WM PF2 VE	1	PC	SA
15	DC97-20475B	ASSY DRAWER	DV8000M,DV91M8204AW/EG,PP	1	PC	SA
16	DC98-03342A	ASSY ACCESSORY	DV5000M	1	PC	SNA
16-1	DC61-02479A	GUIDE HOSE	SDC18809,PP,T1.5,L34.5,NTR,D1	1	PC	SA

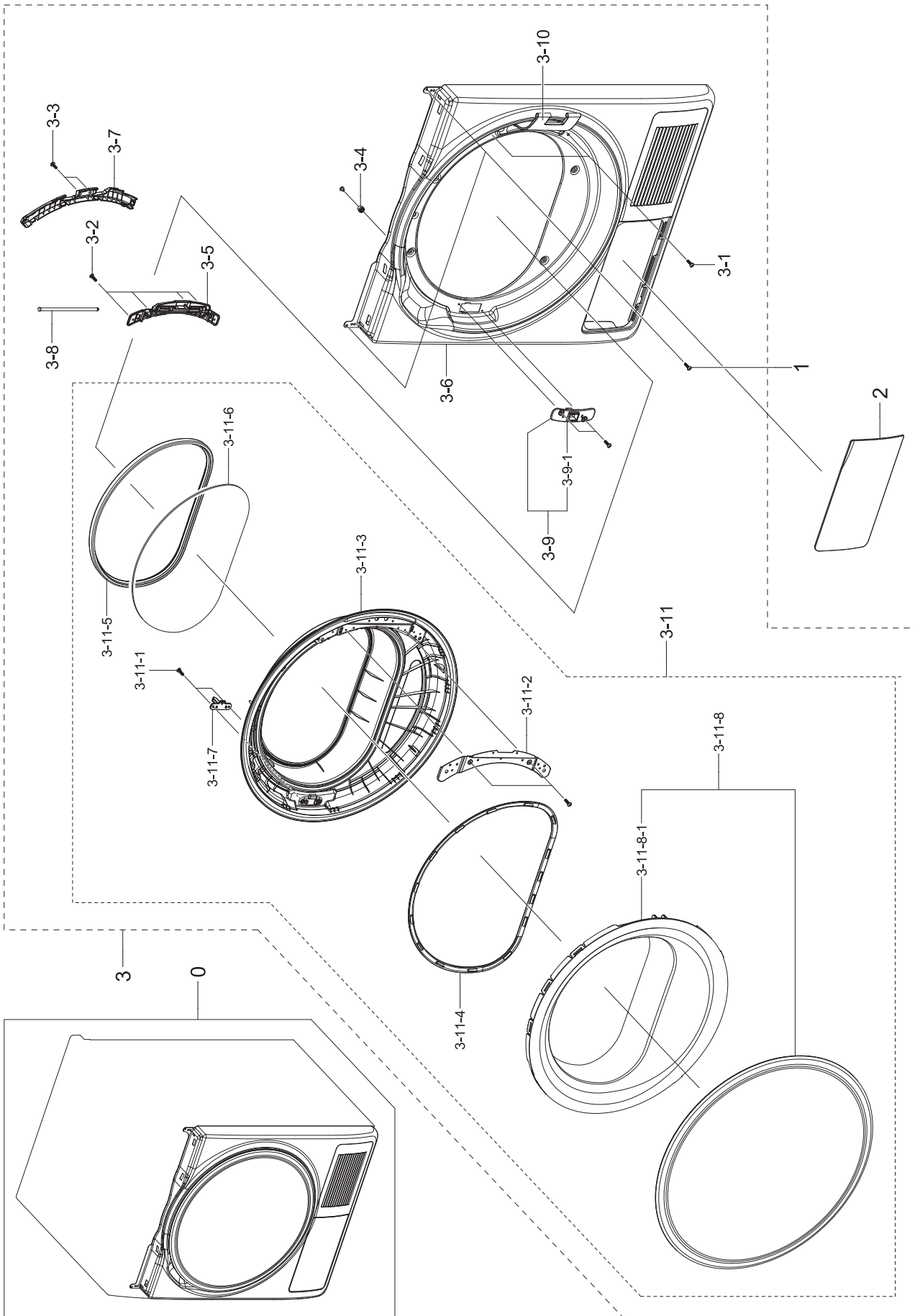
---

## MODEL CODE (DV90M8204AW/ET\_V11)

Service Bom (**SA**: SERVICE AVAILABLE, **SNA**: SERVICE NOT AVAILABLE)

SVC_ Code	Code No.	Description	Specification	QTY	Un	SA/ SNA
16-2	DC62-10278A	HOSE HANGER	PUMP MODEL,PP,BLACK	1	PC	SA
16-3	DC97-15757C	ASSY HOSE DRAIN	D100,SDC18809,L1998,ID9.	1	PC	SA
17	6002-000239	SCREW-TAPPING	TH,+,NO,2S,M4,L8,ZPC(WHT),	2	PC	SNA
18	6009-001240	SCREW-SPECIAL	TH,+,M5,L13.5,ZPC(WHT),SWR	2	PC	SNA
19	DC93-00134C	ASSY DIE RACK DRY	DV5000M,DV90M52A0QS	1	PC	SA
19-1	DC61-02472A	DIE RACK DRY	DV6000K,PP,T3.0,DARK HOLDER	1	PC	SA

## 2. ASSY FRONT PARTS

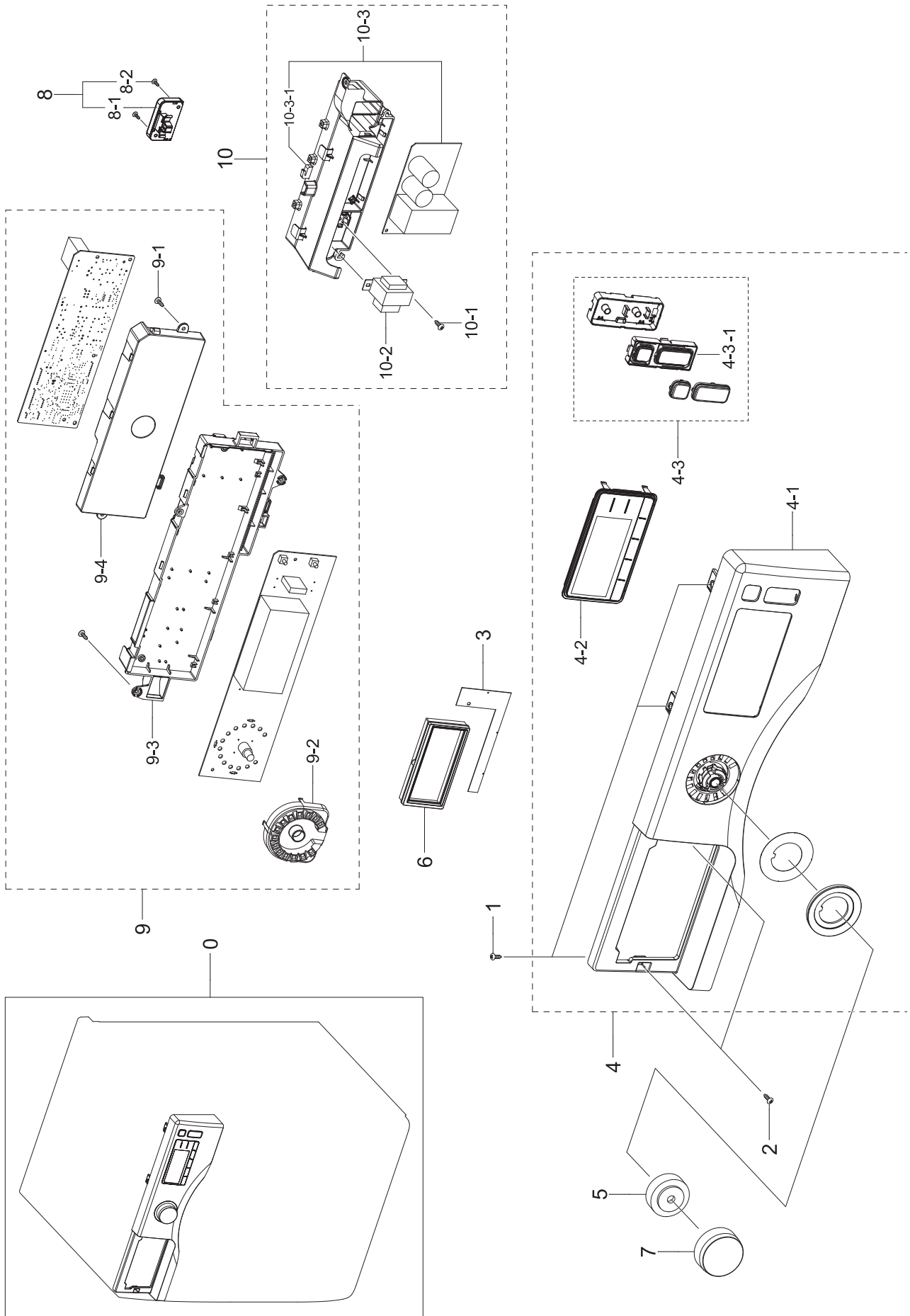


## MODEL CODE (DV90M8204AW/ET\_V11)

Service Bom (SA: SERVICE AVAILABLE, SNA: SERVICE NOT AVAILABLE)

SVC Code	Code No.	Description	Specification	QTY	Un	SA/SNA
0	DC90-25336A	ASSY FRONT PARTS	DV8000M,DV91M8204AW/EG	1	PC	SNA
1	6006-001174	SCREW-TAPPING	TH,+,WT,2S,M4,L12,ZPC(WHT)	2	PC	SNA
2	DC63-01773B	COVER CONDENSER	DV80M8215AW,ABS,HB,DA WH	1	PC	SA
3	DC97-18222G	ASSY FRAME FRONT	DV8000M,DV91M8204AW/EG,	1	PC	SA
3-1	6002-000239	SCREW-TAPPING	TH,+,NO,2S,M4,L8,ZPC(WHT),	2	PC	SNA
3-2	6002-000445	SCREW-TAPPING	TH,+,NO,2,M4,L18,PASS,STS4	4	PC	SNA
3-3	6009-001522	SCREW-HEX	HWH,+,M5,L16,PASS,STS430,FP,SE	2	PC	SA
3-4	DC61-03133A	GUIDE COVER TOP	DV5471AEP,PA66,-,Zytel	1	PC	SA
3-5	DC61-03886A	BRACKET DOOR	DV8000HE,ALDC,T3.0	1	PC	SA
3-6	DC61-03891C	FRAME FRONT	DV80H8100HW/EN,GI-SGCC,DA WH	1	PC	SNA
3-7	DC63-01771A	COVER HOLDER	PP,T2.0,-,VERSAILLES GRAY,T	1	PC	SA
3-8	DC66-00844A	SHAFT HINGE	H800E,STAINLESS-STS304,L146,	1	PC	SNA
3-9	DC97-15505B	ASSY HOLDER LEVER	D100,SDC18809,DARK HOL	1	PC	SA
3-9-1	DC61-02253B	HOLDER LEVER	D100,POM,DARK HOLDER GRAY	1	PC	SA
3-10	DC97-18046A	ASSY HINGE	H800E	1	PC	SA
3-11	DC97-20555A	ASSY DOOR	DV8000M	1	PC	SNA
3-11-1	6002-000445	SCREW-TAPPING	TH,+,NO,2,M4,L18,PASS,STS4	2	PC	SNA
3-11-2	DC61-03832A	BRACKET HOLDER	H800E,GI-SGCC,T1.4,-	1	PC	SNA
3-11-3	DC61-03884A	HOLDER GLASS	DV8000HE,PP,T3.0,VERSAILLES	1	PC	SA
3-11-4	DC62-00440A	SEAL DOOR	DV90H8000HW,TPE,-,XR-1045,GR	1	PC	SA
3-11-5	DC62-00488A	SEAL AIR	DV6000K,TPE,XR-1045	1	PC	SA
3-11-6	DC64-02962A	DOOR GLASS	DV90F5E6HGW,GLASS,T3.2,-,CLEA	1	PC	SA
3-11-7	DC66-00643A	LEVER DOOR	DV-F500E,ZNDC,PLATING NI	1	PC	SA
3-11-8	DC97-18339A	ASSY COVER DOOR	DV8000H,DV90H8000HW	1	PC	SNA
3-11-8-1	DC63-01772A	COVER GLASS	ABS,T3.0,-,VERSAILLES GRAY,H	1	PC	SA

### 3. ASSY PANEL CONTROL PARTS

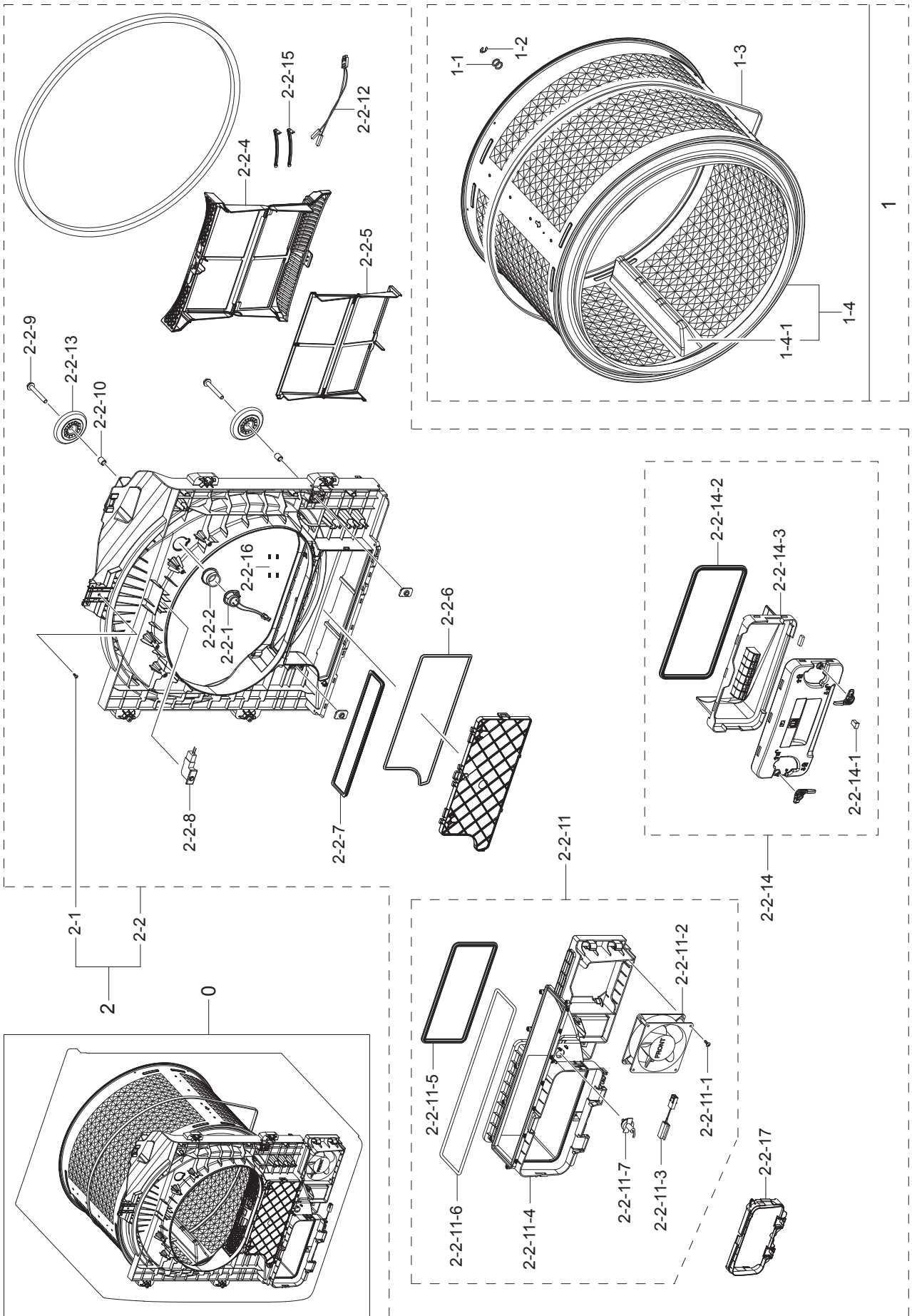


## MODEL CODE (DV90M8204AW/ET\_V11)

Service Bom (SA: SERVICE AVAILABLE, SNA: SERVICE NOT AVAILABLE)

SVC Code	Code No.	Description	Specification	QTY	Un	SA/SNA
0	DC90-25391A	ASSY PANEL CONTROL PARTS	DV90M8204AW/ET	1	PC	SNA
1	6002-000239	SCREW-TAPPING	TH,+,NO,2S,M4,L8,ZPC(WHT),	3	PC	SNA
2	6002-000445	SCREW-TAPPING	TH,+,NO,2,M4,L18,PASS,STS4	2	PC	SNA
3	DC93-00482A	ASSY SENSOR	WW8000HE,5V,8-BUTTON,TOUCH S	1	PC	SA
4	DC97-20571A	ASSY PANEL CONTROL	DV90M8204AW/ET,DA WHI	1	PC	SNA
4-1	DC64-03119A	PANEL CONTROL	DV-H8000E,ABS,-,HG-0760GP,	1	PC	SA
4-2	DC64-03599K	WINDOW PANEL	DV8000M,PMMA,HB,FT6120,CLEA	1	PC	SA
4-3	DC97-18217A	ASSY BUTTON	H700E	1	PC	SNA
4-3-1	DC64-03096A	BUTTON PUSH	WW8000HE,ABS,-,DA WHITE,WT00	1	PC	SA
5	DC62-00404B	SEAL RUBBER	EPDM,BLACK	1	PC	SNA
6	DC62-00436A	SEAL RUBBER	DV90H8000HW,EPDM,BLACK,-,Har	1	PC	SA
7	DC64-03312B	KNOB ENCODER	F500E,ABS+PMMA,BK0018, TP00	1	PC	SA
8	DC92-01888C	ASSY KIT	FCD_INV,DV8000M,ASSY WIFI	1	PC	SA
8-1	4709-002531	W-LAN MODULE	SWL_CQ52/EWM,17K,IEEEE802.11	1	PC	SNA
8-2	6002-000630	SCREW-TAPPING	PH,+,NO,2S,M3,L8,ZPC(WHT),	2	PC	SNA
9	DC92-02025A	ASSY KIT	FWM_INV,DV8000M,INVERTER, 9KG,	1	PC	SA
9-1	6002-000239	SCREW-TAPPING	TH,+,NO,2S,M4,L8,ZPC(WHT),	2	PC	SNA
9-2	DC61-03098A	BRACKET-ENCODER	ARNO,HIPS,T1.5,W75.8,L78	1	PC	SNA
9-3	DC63-02063A	COVER PCB-SUB	DV80M8215AW/EG,HIPS,V-0,NA	1	PC	SNA
9-4	DC63-02065A	COVER PCB-MAIN	DV80M8215AW/EG,HIPS,V0,NA	1	PC	SA
10	DC92-02056A	ASSY HOLDER PCB	DV8000M,DV80M8214AW/EN	1	PC	SNA
10-1	6002-000239	SCREW-TAPPING	TH,+,NO,2S,M4,L8,ZPC(WHT),	1	PC	SNA
10-2	DC27-00012A	COIL HARMONIC	4.5mH,40*69*39,3A	1	PC	SNA
10-3	DC92-02029A	ASSY KIT	WM PF2 VE,DV8000M INV,WM PF2 VE	1	PC	SA
10-3-1	DC63-02066A	COVER PCB-INVERTER	DV80M8215AW/EG,PP,V-0	1	PC	SA

# 4. ASSY DRUM & ASSY INNER PARTS



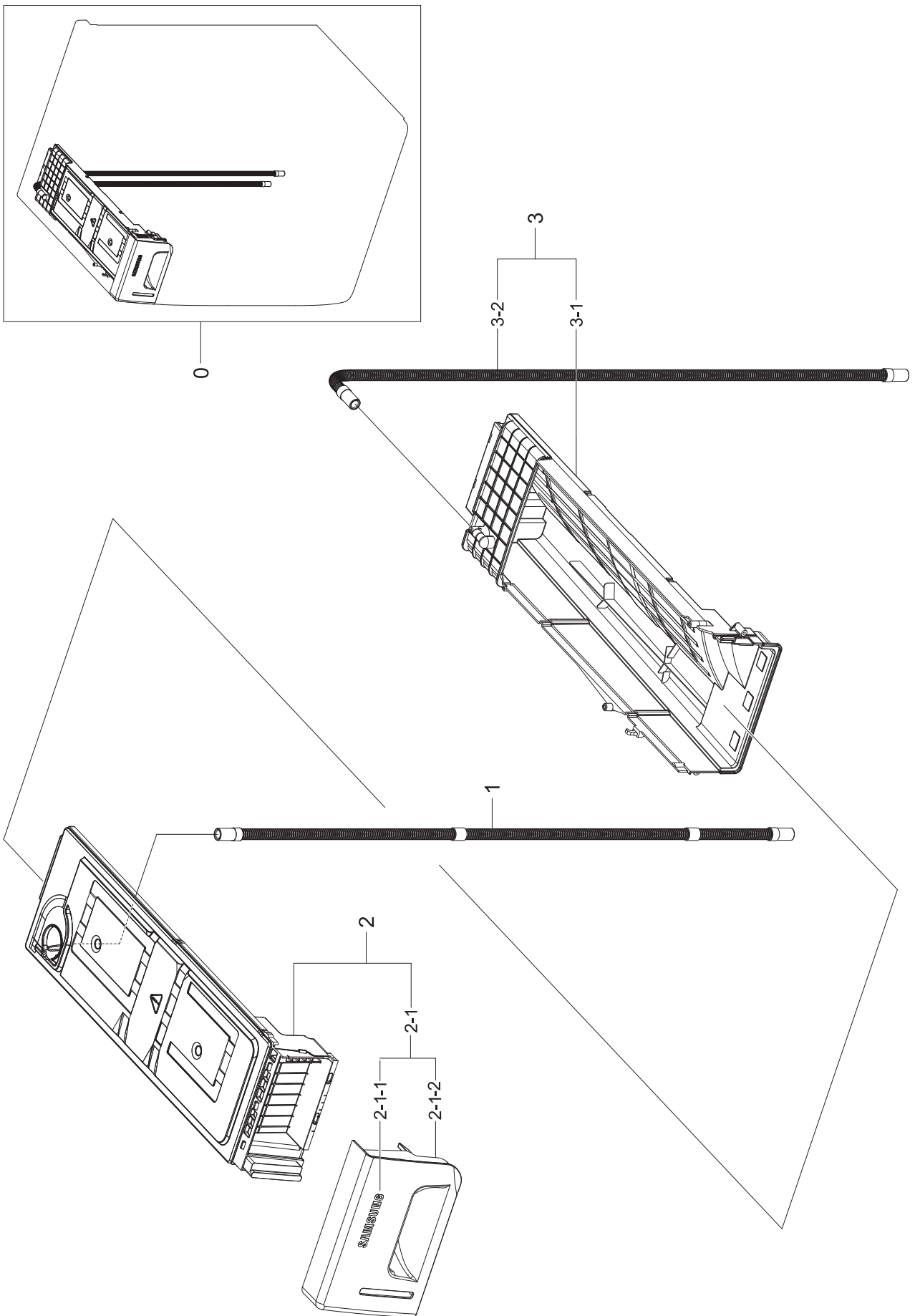


## MODEL CODE (DV90M8204AW/ET\_V11)

Service Bom (SA: SERVICE AVAILABLE, SNA: SERVICE NOT AVAILABLE)

SVC_Code	Code No.	Description	Specification	QTY	Un	SA/SNA
0		ASSY DRUM & ASSY INNER PARTS	DV6000M	1	PC	SNA
1	DC90-15484A	ASSY DRUM	DV8000H	1	PC	SNA
1-1	6031-002038	WASHER-PLAIN	NYLON,ID12,OD17,T1.0,NTR	2	PC	SA
1-2	6044-001784	RING-C	ID11.1,STW-12,T1.0,BLK,SK5	1	PC	SA
1-3	6602-002024	BELT-TIMING GEAR	7PH1970,RUBBER,T2.7,L19	1	PC	SA
1-4	DC97-18220A	ASSY DRUM WRAPPER	DV90H8000HW	1	PC	SA
1-4-1	DC66-00541A	DRUM LIFTER	GE24-DRYER,PP,T3.0,FC2210,GR	3	PC	SA
2	DC90-25337A	ASSY INNER PARTS	DV8000H,DV91M8204AW/EG	1	PC	SNA
2-1	6006-001174	SCREW-TAPPING	TH,+,WT,2S,M4,L12,ZPC(WHT)	1	PC	SNA
2-2	DC97-19978H	ASSY DRUM FRONT	DV91M8204AW/EG	1	PC	SA
2-2-1	DC47-00027A	ASSY LAMP LED	2ea,FR-1,14*12,WHITE,AMP 1	1	PC	SA
2-2-2	DC61-02457A	FIXER LAMP	D100-DRYER,EPDM,GRAY	1	PC	SA
2-2-3	DC61-02485A	BUSH BEARING	SDC18809,SWRCH10A,ID8,OD12,	2	PC	SA
2-2-4	DC61-04407A	CASE FILTER	DV80M8215AW/EG,PP,DARK HOLDE	1	PC	SA
2-2-5	DC61-04409A	CASE FILTER	DV80M8215AW/EG,PP,DARK HOLDE	1	PC	SA
2-2-6	DC62-00377A	SEAL DUCT	DV90F5E6HW,EPDM,BLACK,-	1	PC	SA
2-2-7	DC62-00503A	SEAL PACKING	DV80M8215AW/EG,EPDM,DARK HO	1	PC	SA
2-2-8	DC64-00828D	SWITCH DOOR	AC125V/250V,7.5/5,OP0.8mm	1	PC	SA
2-2-9	DC66-00572A	SHAFT ROLLER	SDC18809,SWRCH10A,L61,OD8,Z	2	PC	SA
2-2-10	DC66-00923A	DRUM FRONT-R	DV80M8215AW/EG,PP,HB,DARK H	1	PC	SA
2-2-11	DC93-00700A	ASSY DUCT FRONT	DV8000M,DV80M8215AW,PP(F	1	PC	SA
2-2-11-1	6002-001306	SCREW-TAPPING	TH,+,1,M4,L14,ZPC(WHT),SWR	1	PC	SNA
2-2-11-2	DC31-00177A	MOTOR FAN	F1238S12B,0.29A,3.5W,2000,DC 1	1	PC	SA
2-2-11-3	DC34-00001G	SWITCH REED	14~30,370mm,25.4±0.5mm,14mm,	1	PC	SA
2-2-11-4	DC61-04413A	GUIDE AIR FLOW	DV80M8215AW/EG,PP,HB,FC23	1	PC	SA
2-2-11-5	DC62-00280C	SEAL CONDENSER	DV-F500E,TPE,KT GRAY,-,L7	1	PC	SA
2-2-11-6	DC90-10128G	ASSY THERMISTOR	DRYER,5V,-20~125°C,120mm,	1	PC	SA
2-2-12	DC96-00766A	ASSY WIRE HARNESS-TOUCH	DRYER-L,-,SUB/TO	1	PC	SA
2-2-13	DC97-15768A	ASSY ROLLER	D100-PJT,SDC18809	2	PC	SA
2-2-14	DC97-19977A	ASSY FILTER GUIDE	DV8000M,DV80M8215AW/EG	1	PC	SA
2-2-14-1	DA66-01072A	LATCH	LATOUR,POM,BLACK,DC LATCH	1	PC	SNA
2-2-14-2	DC62-00280B	SEAL CONDENSER	DV-F500E,TPE,KT GRAY,XR-1	1	PC	SA
2-2-14-3	DC63-02067A	FILTER GUIDE	DV80M8215AW/EG,PP,KT GRAY	1	PC	SA
2-2-15	DC61-04406A	PLATE SENSOR	DV80M8215AW/EG,STS430,T0.8	2	PC	SA
2-2-16	DC61-60044W	CUSHION LID	SW12E1SP,SI,-,-,-,INOX GRA	4	PC	SA
2-2-17	DC61-03885A	GUIDE FILTER	PP,T3.0,HB,FC2305,DARK HOLD	1	PC	SA

## 5. ASSY DRAWER



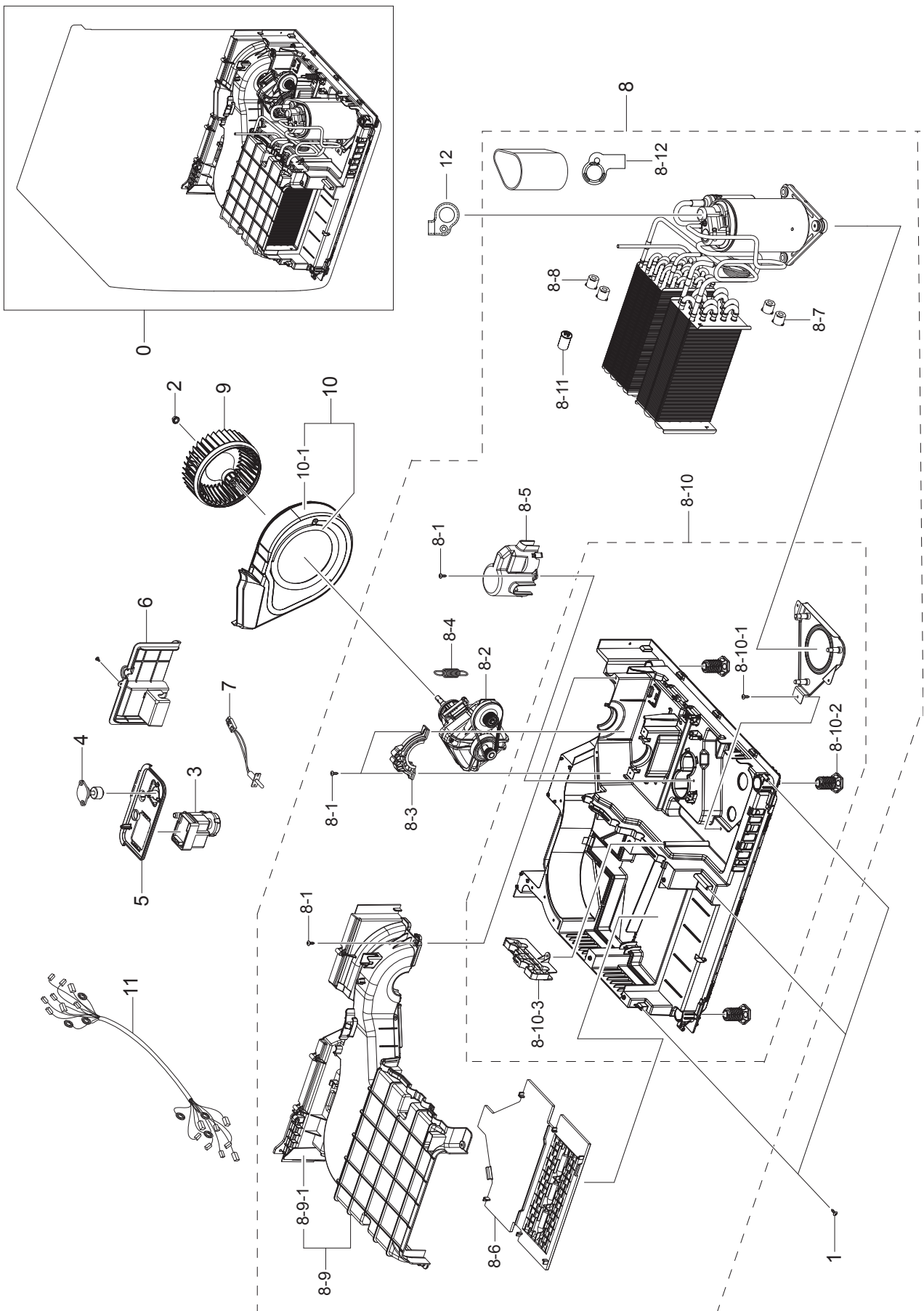
---

## MODEL CODE (DV90M8204AW/ET\_V11)

Service Bom (**SA**: SERVICE AVAILABLE, **SNA**: SERVICE NOT AVAILABLE)

SVC_ Code	Code No.	Description	Specification	QTY	Un	SA/ SNA
0	DC90-25084D	ASSY DRAWER PARTS	DV8000M	1	PC	SNA
1	DC97-15757F	ASSY HOSE DRAIN	DV-F500E,DV90D5E5HGW,GRA	1	PC	SA
2	DC97-20475B	ASSY DRAWER	DV8000M,DV91M8204AW/EG,PP	1	PC	SA
2-1	DC97-20557A	ASSY PANEL DRAWER	DV8000M,DV91M8204AW/EG	1	PC	SA
2-1-1	DA64-03804A	MASCOT	ALL,Ni	1	PC	SNA
2-1-2	DC64-03120A	PANEL DRAWER	DV-H8000E,ABS,-,HG-0760GP,D	1	PC	SA
3	DC97-17451A	ASSY HOUSING DRAWER	DV-F500E,DV90F5E6HGW	1	PC	SA
3-1	DC61-03647A	HOUSING DRAWER	DV90D5E5HGW,PP,T2.5,NATUR	1	PC	SA
3-2	DC97-15757E	ASSY HOSE DRAIN	DV-F500E,DV90D5E5HGW,GRA	1	PC	SA

## 6. ASSY BASE PARTS



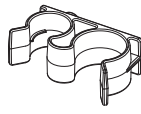
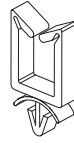
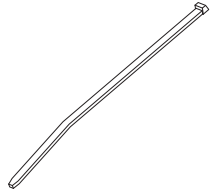


## MODEL CODE (DV90M8204AW/ET\_V11)

Service Bom (SA: SERVICE AVAILABLE, SNA: SERVICE NOT AVAILABLE)

SVC_Code	Code No.	Description	Specification	QTY	Un	SA/SNA
0	DC90-24987A	ASSY BASE PARTS	DV5000M	1	PC	SNA
1	6002-001306	SCREW-TAPPING	TH,+,1,M4,L14,ZPC(WHT),SWR	3	PC	SNA
2	6021-001321	NUT-INCH	RIGHT TURN,3/8"-24,ZPC(BLK),SWC	1	PC	SNA
3	DC31-00105A	PUMP-DRAIN	B13-6AA01120,220V-240V,50Hz,4	1	PC	SA
4	DC34-00010A	SWITCH FLOAT	50±0.5mm,1.5,50mm,MG624537,	1	PC	SA
5	DC61-03643A	HOLDER PUMP MOTOR	DV-F500E,PP,T2.5,NATUR	1	PC	SA
6	DC63-01609A	COVER PUMP	DV-F500E,PP,T2.5,NATURAL,MU30	1	PC	SA
7	DC90-10128G	ASSY THERMISTOR	DRYER,5V,-20~125°C,120mm,	1	PC	SA
8	DC90-24932A	ASSY CIRCULATION SYSTEM PARTS	DV5000M,DV	1	PC	SNA
8-1	6002-001306	SCREW-TAPPING	TH,+,1,M4,L14,ZPC(WHT),SWR	10	PC	SNA
8-1	6002-001306	SCREW-TAPPING	TH,+,1,M4,L14,ZPC(WHT),SWR	1	PC	SNA
8-1	6002-001306	SCREW-TAPPING	TH,+,1,M4,L14,ZPC(WHT),SWR	2	PC	SNA
8-2	DC31-00184A	MOTOR BLDC	D200B,3400,120V~230V,1.0A,130	1	PC	SA
8-3	DC61-02467A	SUPPORT-MOTOR(U)	D100-PJT,PP,T3.0	1	PC	SA
8-4	DC61-02487A	SPRING ETC TENSION	SDC18809,HSWR,CD2.0,O	1	PC	SA
8-5	DC61-03633A	HOLDER CONDENSER	DV-F500E,PP,T2.5,NATURA	1	PC	SA
8-6	DC63-01602A	COVER BASE	DV-F500E,PP,T2.5,GRAY	1	PC	SA
8-7	DC63-01644A	ABSORBER SOUND	DV90F5E6HGW,EPDM,OD20.5,-	2	PC	SA
8-8	DC63-01645A	ABSORBER SOUND	DV90F5E6HGW,EPDM,OD20.5,-	2	PC	SA
8-9	DC93-00661A	ASSY COVER CONDENSER	DV8000M,DV80M8215AW	1	PC	SA
8-9-1	DC63-02062A	COVER CONDENSER-U	DV80M8215AW/EG,PP,HB,N	1	PC	SA
8-10	DC97-20474A	ASSY BOTTOM	DV5000M	1	PC	SNA
8-10-1	6002-000213	SCREW-TAPPING	TH,+,1,M4,L12,ZPC(WHT),SWR	3	PC	SNA
8-10-1	6002-000213	SCREW-TAPPING	TH,+,1,M4,L12,ZPC(WHT),SWR	1	PC	SNA
8-10-2	DC61-02447B	LEG	D100 DRYER,FRPP,NTR	4	PC	SA
8-10-3	DC63-01964A	COVER CONNECTOR	PP,T2.5,HB,NATURAL,HASS	1	PC	SNA
8-11	2501-001233	C-OIL	15,-25to+80,450V,±5,50x65,#250,PP,	1	PC	SA
8-12	DB63-00817A	GASKET	R/COMP,SIR,T0.8,L80,-,60-70,Inter	1	PC	SA
9	DC93-00659A	ASSY FAN DRY	DV8000M,DV80M8215AW/EG,FRPP	1	PC	SA
10	DC93-00660B	ASSY GUIDE DUCT FAN	DV5000M,DV90M5200QW/	1	PC	SNA
10-1	DC61-04412A	GUIDE DUCT FAN	DV80M8215AW/EG,PP,HB,PTN9	1	PC	SA
11	DC93-00681A	ASSY WIRE HARNESS-MAIN	DRYER-M,DV8000M,F	1	PC	SNA
12	DB63-02310A	COVER TERMINAL	SABIC N1250,2.5,-,BLACK,N	1	PC	SA

## 7. SMALL PARTS

				
1	2	3	4	5

### MODEL CODE (DV90M8204AW/ET\_V11)

Service Bom (**SA**: SERVICE AVAILABLE, **SNA**: SERVICE NOT AVAILABLE)

Drawing No.	Code No.	Description	Specification	Install. Point	QTY	Un	SA/SNA
1	DC61-40081A	HOLDER WIRE	DAWH-2NC,PA66,-,NATURAL,-	FRAME REAR	1	PC	SA
2	DC61-60074A	HOLDER WIRE	PA,-,NATURAL,-,101F,rectangl	FRAME REAR	1	PC	SNA
3	DC65-00026A	CLAMPER HOSE-FIX	SDC18809,PP,BJ350,NTR	FRAME REAR	1	PC	SA
4	DC61-00553B	CABLE CLAMP	DAWS-3NE,PA66,NTR	ASSY DRUM FRONT	1	PC	SNA
5	DC65-10001A	CABLE TIE	PVC	ASSY ACCESSORY	2	PC	SNA

## 8. PARTS LIST (SCREW TYPE)

### MODEL CODE (DV90M8204AW/ET\_V11)

Service Bom (SA: SERVICE AVAILABLE, SNA: SERVICE NOT AVAILABLE)

Code No.	Description	Specification	QTY	Un	SA/ SNA
6002-000234	SCREW-TAPPING	TH,+,NO,2S,M4,L16,ZPC(WHT)	12	PC	SNA
6002-001431	SCREW-TAPPING	HEX,+,2,M5,L16,ZPC(WHT),SW	2	PC	SA
6002-000213	SCREW-TAPPING	TH,+,1,M4,L12,ZPC(WHT),SWR	9	PC	SNA
6002-000239	SCREW-TAPPING	TH,+,NO,2S,M4,L8,ZPC(WHT),	2	PC	SNA
6002-001306	SCREW-TAPPING	TH,+,1,M4,L14,ZPC(WHT),SWR	22	PC	SNA
6003-001768	SCREW-TAPTYPE	TH,+,WT,S,M4,L10,ZPC(WHT),	2	PC	SNA
6006-001174	SCREW-TAPPING	TH,+,WT,2S,M4,L12,ZPC(WHT)	12	PC	SNA
6009-001240	SCREW-SPECIAL	TH,+,M5,L13.5,ZPC(WHT),SWR	2	PC	SNA
6009-001343	SCREW-SPECIAL	PH,TORX,M4,L12,ZPC(WHT),SW	1	PC	SNA
6002-000239	SCREW-TAPPING	TH,+,NO,2S,M4,L8,ZPC(WHT),	8	PC	SNA
6002-000213	SCREW-TAPPING	TH,+,1,M4,L12,ZPC(WHT),SWR	1	PC	SNA
6002-001306	SCREW-TAPPING	TH,+,1,M4,L14,ZPC(WHT),SWR	5	PC	SNA
6002-001306	SCREW-TAPPING	TH,+,1,M4,L14,ZPC(WHT),SWR	13	PC	SNA
6002-000213	SCREW-TAPPING	TH,+,1,M4,L12,ZPC(WHT),SWR	3	PC	SNA
6003-001768	SCREW-TAPTYPE	TH,+,WT,S,M4,L10,ZPC(WHT),	1	PC	SNA
6002-000445	SCREW-TAPPING	TH,+,NO,2,M4,L18,PASS,STS4	4	PC	SNA
6002-001286	SCREW-TAPPING	FH,+,-,1,M4,L16,PASS,STS43	2	PC	SNA
6002-001435	SCREW-TAPPING	TH,+,2,M4,L12,PASS,STS430	4	PC	SNA
6006-001174	SCREW-TAPPING	TH,+,WT,2S,M4,L12,ZPC(WHT)	2	PC	SNA
6002-000239	SCREW-TAPPING	TH,+,NO,2S,M4,L8,ZPC(WHT),	2	PC	SNA
6002-000470	SCREW-TAPPING	TH,+,NO,1,M4,L10,ZPC(WHT),	1	PC	SNA
6002-001149	SCREW-TAPPING	TH,+,NO,2S,M4,L12,NI PLT,S	2	PC	SNA
6002-001436	SCREW-TAPPING	PH,+,2,M4,L18,ZPC(WHT),SWR	1	PC	SNA
6009-001522	SCREW-HEX	HWH,+,M5,L16,PASS,STS430,FP,SE	2	PC	SA
6002-000445	SCREW-TAPPING	TH,+,NO,2,M4,L18,PASS,STS4	2	PC	SNA
6002-001435	SCREW-TAPPING	TH,+,2,M4,L12,PASS,STS430	2	PC	SNA
6002-000444	SCREW-TAPPING	TH,+,2,M4,L14,PASS,STS430	2	PC	SNA
6002-001306	SCREW-TAPPING	TH,+,1,M4,L14,ZPC(WHT),SWR	1	PC	SNA
6002-001306	SCREW-TAPPING	TH,+,1,M4,L14,ZPC(WHT),SWR	9	PC	SNA
6002-001306	SCREW-TAPPING	TH,+,1,M4,L14,ZPC(WHT),SWR	1	PC	SNA
6002-000239	SCREW-TAPPING	TH,+,NO,2S,M4,L8,ZPC(WHT),	3	PC	SNA
6002-000445	SCREW-TAPPING	TH,+,NO,2,M4,L18,PASS,STS4	2	PC	SNA
6002-000630	SCREW-TAPPING	PH,+,NO,2S,M3,L8,ZPC(WHT),	2	PC	SNA
6002-000239	SCREW-TAPPING	TH,+,NO,2S,M4,L8,ZPC(WHT),	2	PC	SNA
6002-000239	SCREW-TAPPING	TH,+,NO,2S,M4,L8,ZPC(WHT),	1	PC	SNA
6001-000516	SCREW-MACHINE	PH,+,-,M3,L10,ZPC(WHT),SWR	3	PC	SNA