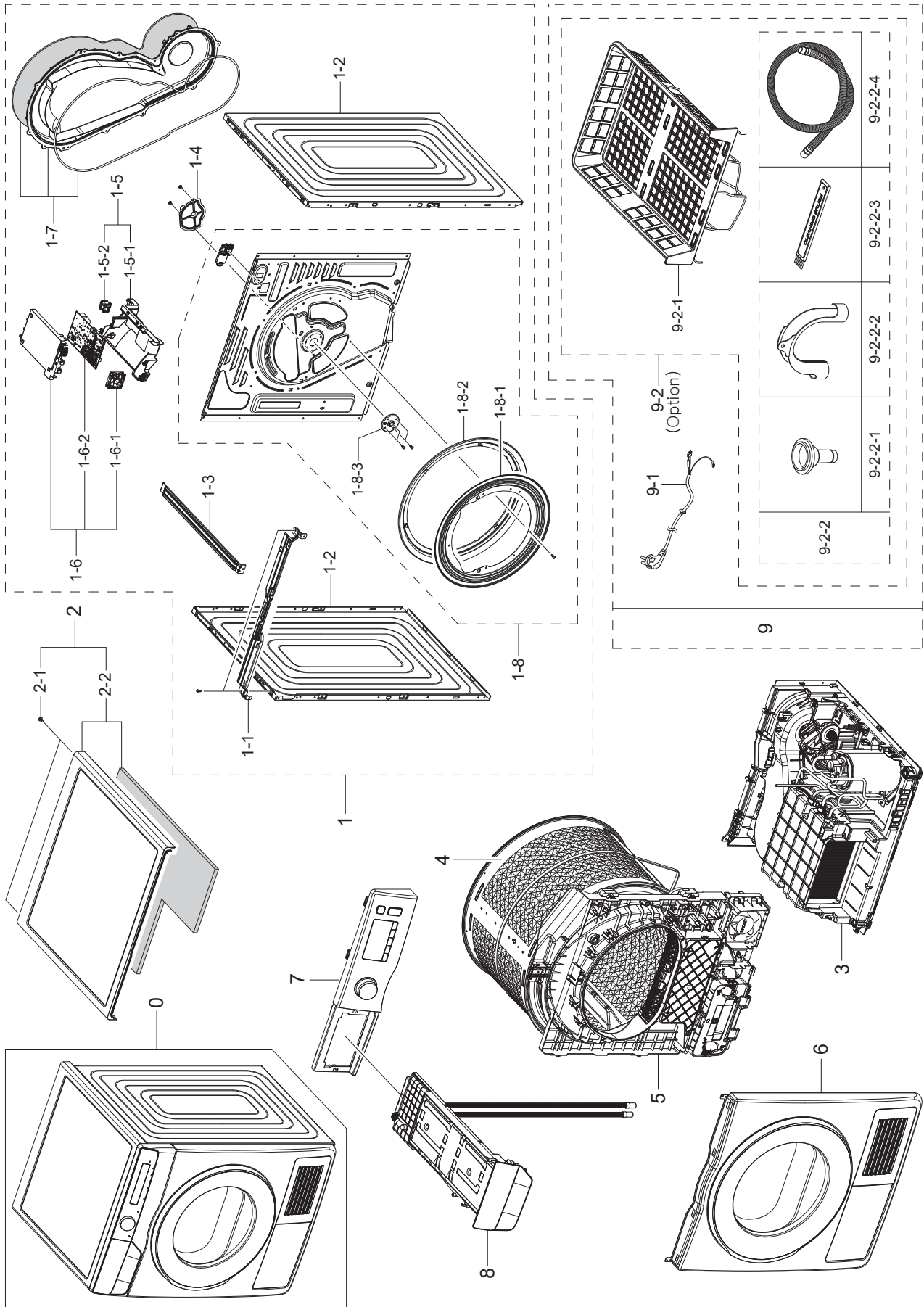


# 1. MAIN

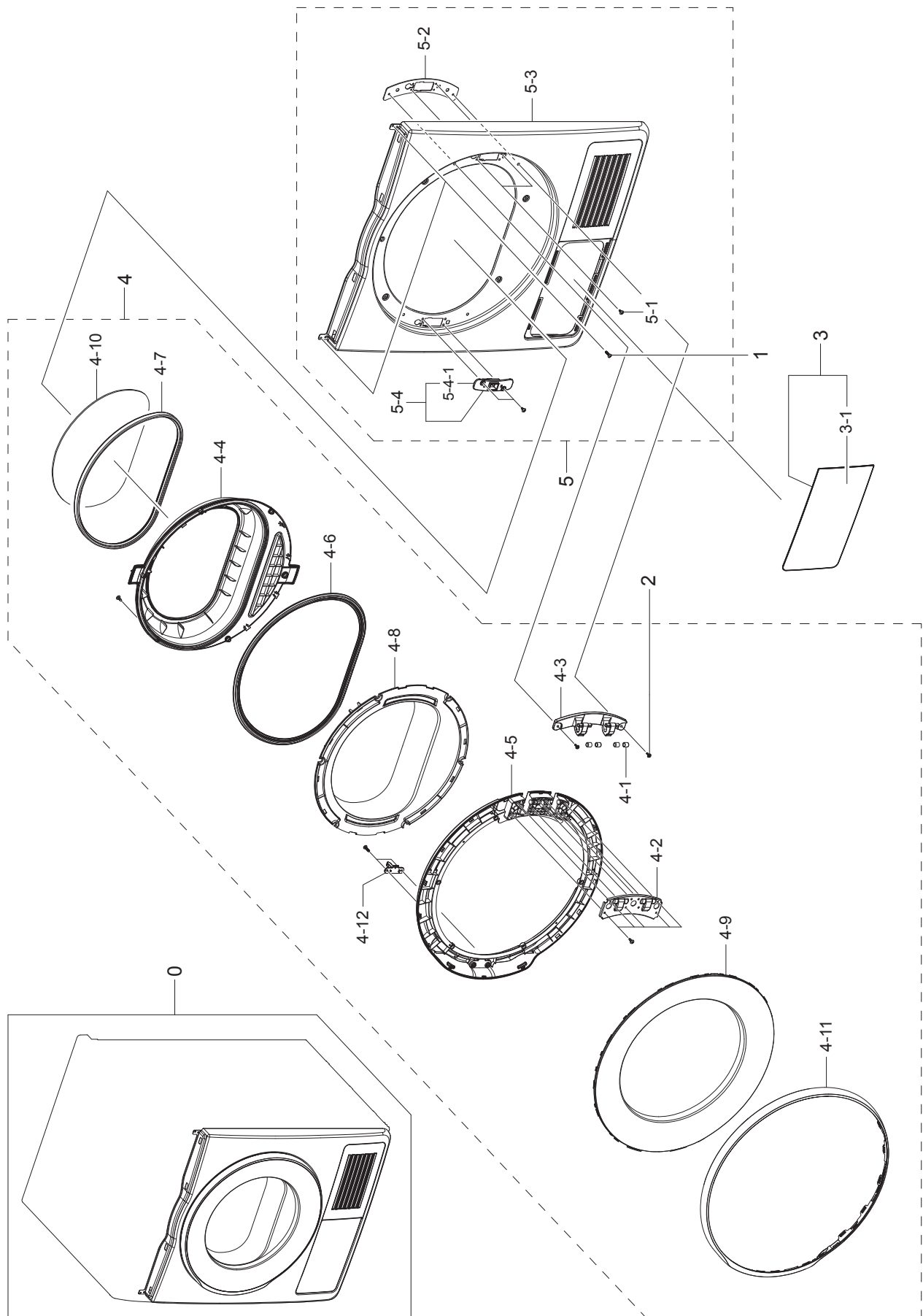


## MODEL CODE: DV80TA220TE/EF

Service Bom (SA: SERVICE AVAILABLE, SNA: SERVICE NOT AVAILABLE)

Drawing No.	Code No.	Description	Specification	QTY	Un	SA/SNA
0	DV80TA220TE/EF	ASSY-CLOTHES DRYER	DV5000T			
1	DC90-28833A	ASSY FRAME CASE PARTS	DV5000T,DV80TA220T	1	PC	SNA
1-1	DC61-03629C	FRAME PLATE-UP	DV5000T,GI-SGCC,T1	1	PC	SA
1-2	DC61-03638A	FRAME-SIDE MODULE	DV90F5E6HGW,EGI-SECC,D	2	PC	SA
1-3	DC61-03639A	GUIDE WIRE	DV90F5E6HGW,GI-SGCC,T1	1	PC	SA
1-4	DC63-01263A	COVER BEARING	SDC18809,EGI-SECC,T0.8,W10	1	PC	SA
1-5	DC92-02662A	ASSY COVER PBA	DV5000T,DV90T5240AW/S3	1	PC	SNA
1-5-1	DC63-02574A	COVER PCB	DV90T5740BV,ABS,T3,5VA,NATURAL	1	PC	SA
1-5-2	DC63-02638A	COVER CONNECTOR	DV90T5240AW/S3,ABS,T3,5V	1	PC	SA
1-6	DC92-02690B	ASSY HOLDER PCB	DV5000T,A+++ D.LED,DC94-	1	PC	SA
1-6-1	DC31-00198A	MOTOR BLDC FAN	F1238L12B1-FS-TTL-ACC,200	1	PC	SA
1-6-2	DC94-10479A	ASSY PCB EEPROM	0014,EEPROM,DV5000T,24"	1	PC	SA
1-7	DC93-00880A	ASSY COVER DUCT-MODULE	DV5000T,DV90T5740	1	PC	SA
1-8	DC97-22206B	ASSY FRAME-REAR MODULE	DV6000T,DV90T6240	1	PC	SA
1-8-1	DC61-02263A	BRACKET GASKET FELT	DCVH480EK0WW,STS430,	1	PC	SA
1-8-2	DC93-00754A	ASSY GASKET FELT	DV5000M,DV70M5220IW/EN	1	PC	SA
1-8-3	DC97-16288A	ASSY HOUSING BEARING	D100-PJT,SDC18809(O	1	PC	SA
2	DC90-28386A	ASSY COVER TOP PARTS	DV6000T,DV90T6240HT	1	PC	SNA
2-1	6002-001431	SCREW-TAPPING	HEX,+,2,M5,L16,ZPC(WHT),SW	2	PC	SA
2-2	DC97-22224A	ASSY COVER TOP-MODULE	DV6000T,DV90T6240H	1	PC	SA
3	DC90-28702A	ASSY BASE PARTS	DV5000T,DV90TA240AE/ET	1	PC	SNA
4	DC90-28943A	ASSY DRUM PARTS	AL-CAOT	1	PC	SNA
5	DC90-28388A	ASSY INNER PARTS	DV6000T,DV90T6240HT/S3	1	PC	SNA
6	DC90-28420F	ASSY FRONT PARTS	DV5000T,DV80T5220TW/S3	1	PC	SNA
7	DC90-28823A	ASSY PANEL CONTROL PARTS	DV5000T,DV80TA2	1	PC	SNA
8	DC90-28768A	ASSY DRAWER PARTS	DV5000T,DV9FTA040DW/EG	1	PC	SNA
9	DC90-28830A	ASSY BUYER PARTS	DV5000T,DV80TA220TE/EF	1	PC	SNA
9-1	3903-001192	POWER CORD-AT	H05VV-F 3x1.0mm2,GRY,EU3F,	1	PC	SA
9-2-2	DC98-03342K	ASSY ACCESSORY	DV5000T,DV90T6240LH/S3	1	PC	SNA
9-2-2-1	DC61-02479A	GUIDE HOSE	SDC18809,PP,T1.5,L34.5,NATURA	1	PC	SA
9-2-2-2	DC62-10278A	HOSE HANGER	PUMP MODEL,PP,ID27,T1.5,HS95	1	PC	SA
9-2-2-3	DC67-01092A	BRUSH	DV16R8540KV,ABS,LIGHT GRAY	1	PC	SA
9-2-2-4	DC97-15757C	ASSY HOSE DRAIN	D100,SDC18809,L1998,ID9.	1	PC	SA

## 2. ASSY FRONT PARTS

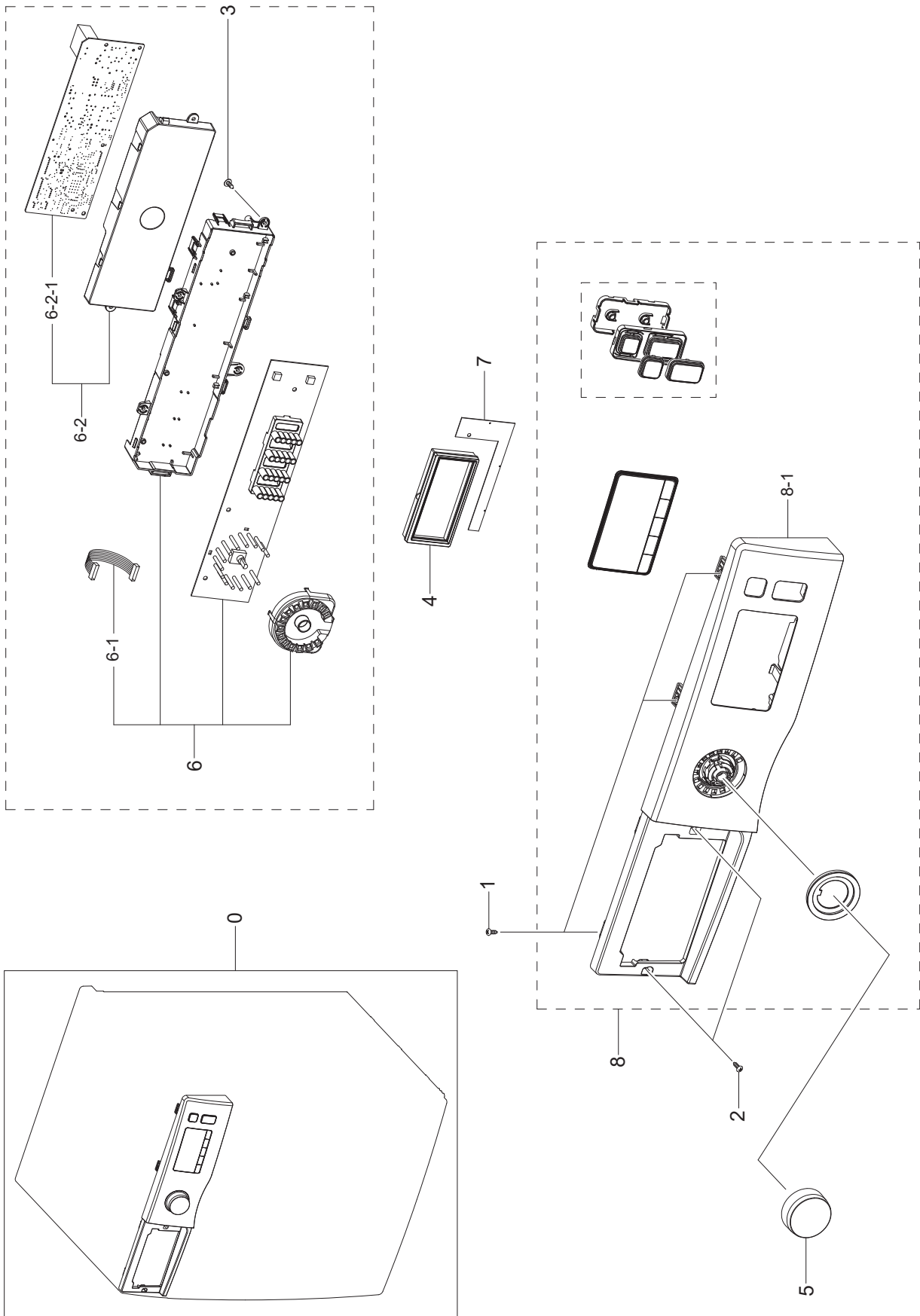


## MODEL CODE: DV80TA220TE/EF

Service Bom (SA: SERVICE AVAILABLE, SNA: SERVICE NOT AVAILABLE)

Drawing No.	Code No.	Description	Specification	QTY	Un	SA/SNA
0	DC90-28420F	ASSY FRONT PARTS	DV5000T,DV80T5220TW/S3	1	PC	SNA
1	6006-001174	SCREW-TAPPING	TH,+,WT,2S,M4,L12,ZPC(WHT)	2	PC	SNA
2	6009-001522	SCREW-HEX	HWH,+,M5,L16,PASS,STS430,FP,SE	2	PC	SA
3	DC93-00879A	ASSY COVER CONDENSER	DV6000T,DV90T6240HT	1	PC	SNA
3-1	DC63-02078A	COVER CONDENSER	DV6000M,ABS,HB,DA WHITE,	1	PC	SA
4	DC97-22185D	ASSY DOOR-MODULE	DV5000T,DV90T5240TW/S1	1	PC	SNA
4-1	DC61-00891A	GUIDE HINGE	HAUZEN(DOM),POM,F20-03,white	4	PC	SA
4-2	DC61-04084A	SUPPORT HINGE	DV22K6800EW,GI-SGCC,T1.4	1	PC	SA
4-3	DC61-04217A	HINGE DOOR	DV6000K,ALDC,-,-,HB	1	PC	SA
4-4	DC61-04485B	HOLDER GLASS	DV70M50202W,PP+TD30%,VERSAI	1	PC	SA
4-5	DC61-05156A	HOLDER GLASS	DV90T5740BV,PP+TD30%,VERSAI	1	PC	SA
4-6	DC62-00696B	SEAL DOOR	DV90T5540BV,TPE	1	PC	SA
4-7	DC62-00736B	SEAL AIR	DV90T5240AW/S3,TPE,Non coating	1	PC	SA
4-8	DC63-02114A	COVER DOOR	DV5000M,ABS,HB,DA WHITE,WT003	1	PC	SA
4-9	DC63-02628B	COVER GLASS	DV90T6240HT/S3,PP+TD30%,DA W	1	PC	SA
4-10	DC64-03449A	DOOR GLASS	DV6000K,GLASS,T3.2,CLEAR TP	1	PC	SA
4-11	DC64-03949C	DECORATION COVER DOOR	DV90T7240BH/S3,ABS	1	PC	SA
4-12	DC66-00643A	LEVER DOOR	DV-F500E,ZNDC,PLATING NI	1	PC	SA
5	DC97-22234A	ASSY FRAME FRONT-MODULE	DV6000T,DV90T624	1	PC	SA
5-1	6001-001773	SCREW-MACHINE	TH,+,M5,L12,PASS,STS304,2,	2	PC	SA
5-2	DC61-02283C	BRACKET HINGE	DV5000M,HGI-SGHC,T2	1	PC	SA
5-3	DC61-03640J	FRAME FRONT	DV5000M,GI-SGCD,DA WHITE,T0.	1	PC	SA
5-4	DC97-15505B	ASSY HOLDER LEVER	D100,SDC18809,DARK HOL	1	PC	SA
5-4-1	DC61-02253B	HOLDER LEVER	D100,POM,DARK HOLDER GRAY	1	PC	SA

### 3. ASSY PANEL CONTROL PARTS



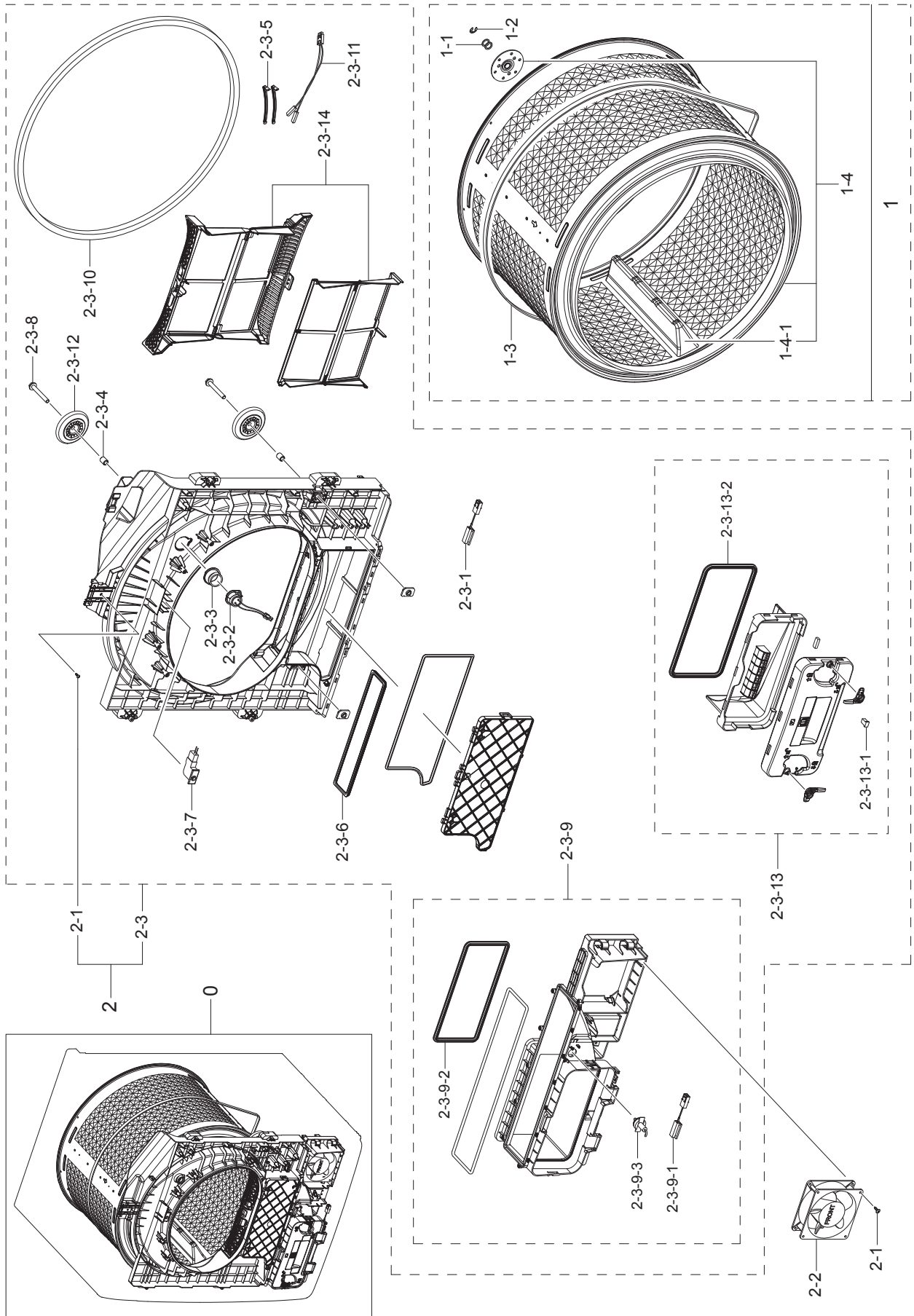
---

**MODEL CODE: DV80TA220TE/EF**

Service Bom (SA: SERVICE AVAILABLE, SNA: SERVICE NOT AVAILABLE)

Drawing No.	Code No.	Description	Specification	QTY	Un	SA/SNA
0	DC90-28823A	ASSY PANEL CONTROL PARTS	DV5000T,DV80TA2	1	PC	SNA
1	6002-000239	SCREW-TAPPING	TH,+,NO,2S,M4,L8,ZPC(WHT),	3	PC	SNA
2	6002-000445	SCREW-TAPPING	TH,+,NO,2,M4,L18,PASS,STS4	6	PC	SNA
3	6002-001306	SCREW-TAPPING	SWRCH18A,ZPC(WHT),L14,M4,T	2	PC	SNA
4	DC62-00403A	SEAL RUBBER	EPDM,BLACK,-,BETTER	1	PC	SA
5	DC64-03312A	KNOB ENCODER	F500E,ABS,DA WHITE,DA WHITE	1	PC	SA
6	DC92-02024N	ASSY PCB DISPLAY	FCD_AC,DV5000M,327x75mm	1	PC	SA
6-1	DC96-01574B	ASSY WIRE HARNESS	DRUM-M,WF210ANW,8PIN,L	1	PC	SA
6-2	DC94-10479A	ASSY PCB EEPROM	0014,EEPROM,DV5000T,24"	1	PC	SA
6-2-1	DC92-02522L	ASSY PCB MAIN	FCD,DV5000T,292*160mm,220V	1	PC	SNA
7	DC93-00540A	ASSY MODULE	TOUCH SENSOR,F500 IML BEST,"	1	PC	SA
8	DC97-22406L	ASSY PANEL CONTROL-MODULE	DV5000T,DV80TA	1	PC	SA
8-1	DC64-02955A	PANEL CONTROL	DV90D5E5HGW,ABS,HG-0760GP,	1	PC	SA

# 4. ASSY DRUM & ASSY INNER PARTS



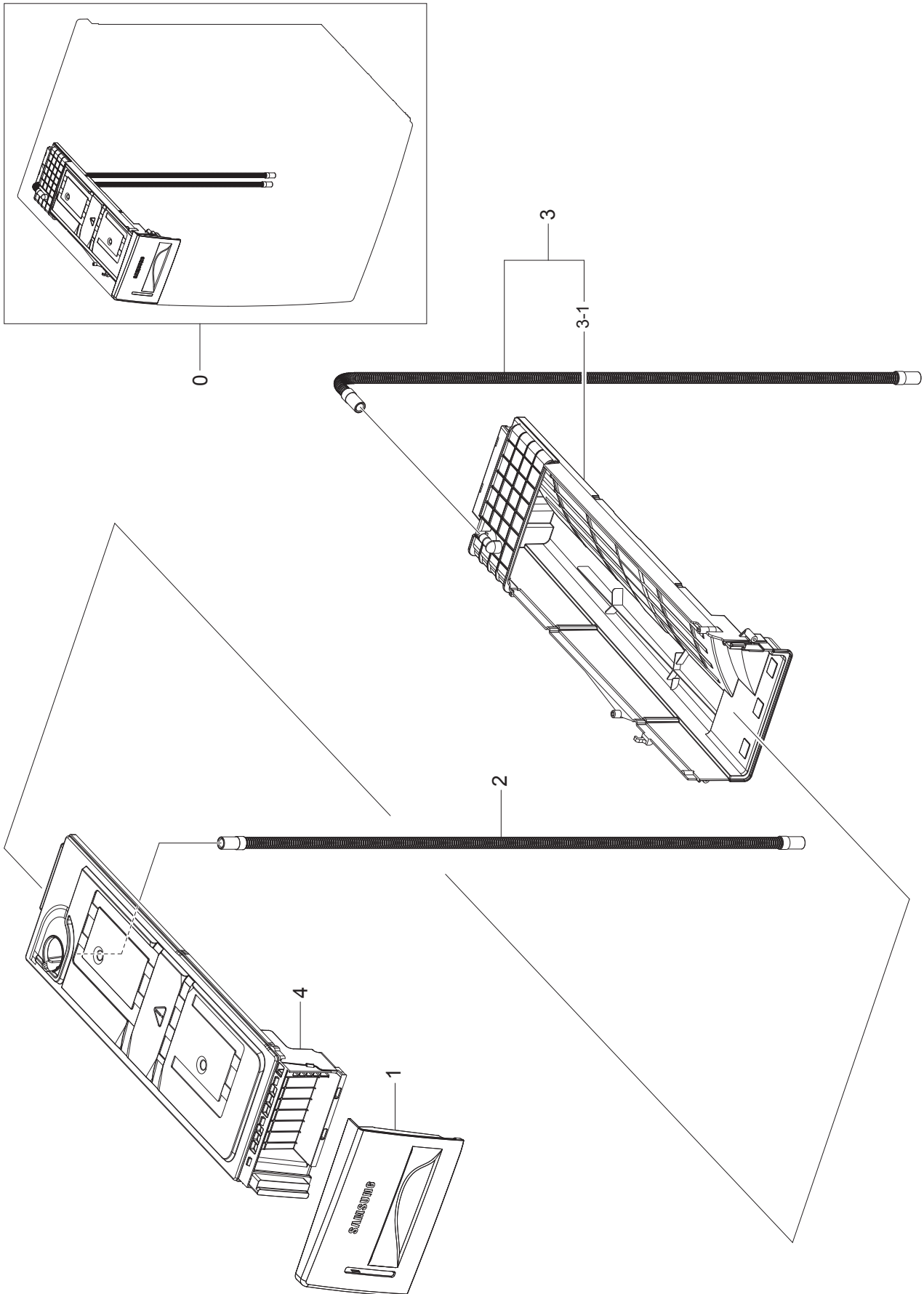
## MODEL CODE: DV80TA220TE/EF

Service Bom (SA: SERVICE AVAILABLE, SNA: SERVICE NOT AVAILABLE)

Drawing No.	Code No.	Description	Specification	QTY	Un	SA/SNA
0		ASSY DRUM & ASSY INNER PARTS	DV5000T	1	PC	SNA
1	DC90-28943A	ASSY DRUM PARTS	AL-CAOT	1	PC	SNA
1-1	6031-002038	WASHER-PLAIN	PA,ID12,OD17,T1,ZPC(BLK)	2	PC	SNA
1-2	6044-001784	RING-C	ID11.1,STW-12,T1.0,BLK,SK5	1	PC	SA
1-3	6602-002024	BELT-TIMING GEAR	7PH1970,RUBBER,T2.7,L19	1	PC	SA
1-4	DC97-17465J	ASSY DRUM WRAPPER-MODULE	DV8000T,-,-,-,-	1	PC	SA
1-4-1	DC66-00541A	DRUM LIFTER	GE24-DRYER,PP,T3.0,FC2210,GRAY (G246),GE24-DRYER	3	PC	SA
2	DC90-28388A	ASSY INNER PARTS	DV6000T,DV90T6240HT/S3	1	PC	SNA
2-1	6002-001306	SCREW-TAPPING	SWRCH18A,ZPC(WHT),L14,M4,T	2	PC	SNA
2-1	6002-001306	SCREW-TAPPING	SWRCH18A,ZPC(WHT),L14,M4,T	2	PC	SNA
2-2	DC31-00198A	MOTOR BLDC FAN	F1238L12B1-FS-TTL-ACC,200	1	PC	SA
2-3	DC97-22169B	ASSY DRUM FRONT	DV90T5240AW/S3,810	1	PC	SA
2-3-1	DC34-00001G	SWITCH REED	14~30,370mm,25.4±0.5mm,14mm,30mm,370mm,360mm	1	PC	SA
2-3-2	DC47-00027A	ASSY LAMP LED	2ea,FR-1,14*12,WHITE,AMP 5-177898-1,19.5mA~20.8mA,DC6.4V,MIN 550lx	1	PC	SA
2-3-3	DC61-02457A	FIXER LAMP	D100-DRYER,EPDM,GRAY	1	PC	SA
2-3-4	DC61-02485A	BUSH BEARING	SDC18809,SWRCH10A,ID8,OD12,L15,WHITE,ZPC	2	PC	SA
2-3-5	DC61-04406A	PLATE SENSOR	DV80M8215AW/EG,STS430,T0.8	2	PC	SA
2-3-6	DC62-00735A	SEAL PACKING	DV90T5740BV,Si,DARK HOLDER GRAY	1	PC	SA
2-3-7	DC64-00828D	SWITCH DOOR	AC125-250V,7.5A,5A,BUTTON HEIGHT 2mm	1	PC	SA
2-3-8	DC66-00572A	SHAFT ROLLER	SDC18809,SWRCH10A,L61,OD8,ZPC (WHT),M13/M8XP=1.25	2	PC	SA
2-3-9	DC93-00874A	ASSY DUCT FRONT	DV5000T,DV90T5240BW	1	PC	SA
2-3-9-1	DC34-00001G	SWITCH REED	14~30,370mm,25.4±0.5mm,14mm,30mm,370mm,360mm	1	PC	SA
2-3-9-2	DC62-00755A	SEAL CONDENSER	DV5000T,Si,DARK HOLDER GR	1	PC	SA
2-3-9-3	DC90-10128G	ASSY THERMISTOR	DRYER,5V,-20~125°C,120mm,	1	PC	SA
2-3-10	DC93-00878B	ASSY GASKET PAD	DV5000T,DV90T5240AE/S1,E	1	PC	SNA
2-3-11	DC96-00766A	ASSY WIRE HARNESS-TOUCH	DRYER-L,-,,,,,,	1	PC	SA
2-3-12	DC97-15768A	ASSY ROLLER	D100-PJT,SDC18809	2	PC	SA
2-3-13	DC97-22170A	ASSY FILTER GUIDE	DV5000T,DV90T5240BW	1	PC	SA
2-3-13-1	DA66-01072A	LATCH	LATOUR,POM,NATURAL,DC LATCH	1	PC	SA
2-3-13-2	DC62-00754A	SEAL CONDENSER	DV5000T,Si,DARK HOLDER GR	1	PC	SA
2-3-14	DC97-22180A	ASSY CASE FILTER	DV6000T,DV90T6240HT/S3	1	PC	SA



## 5. ASSY DRAWER PARTS

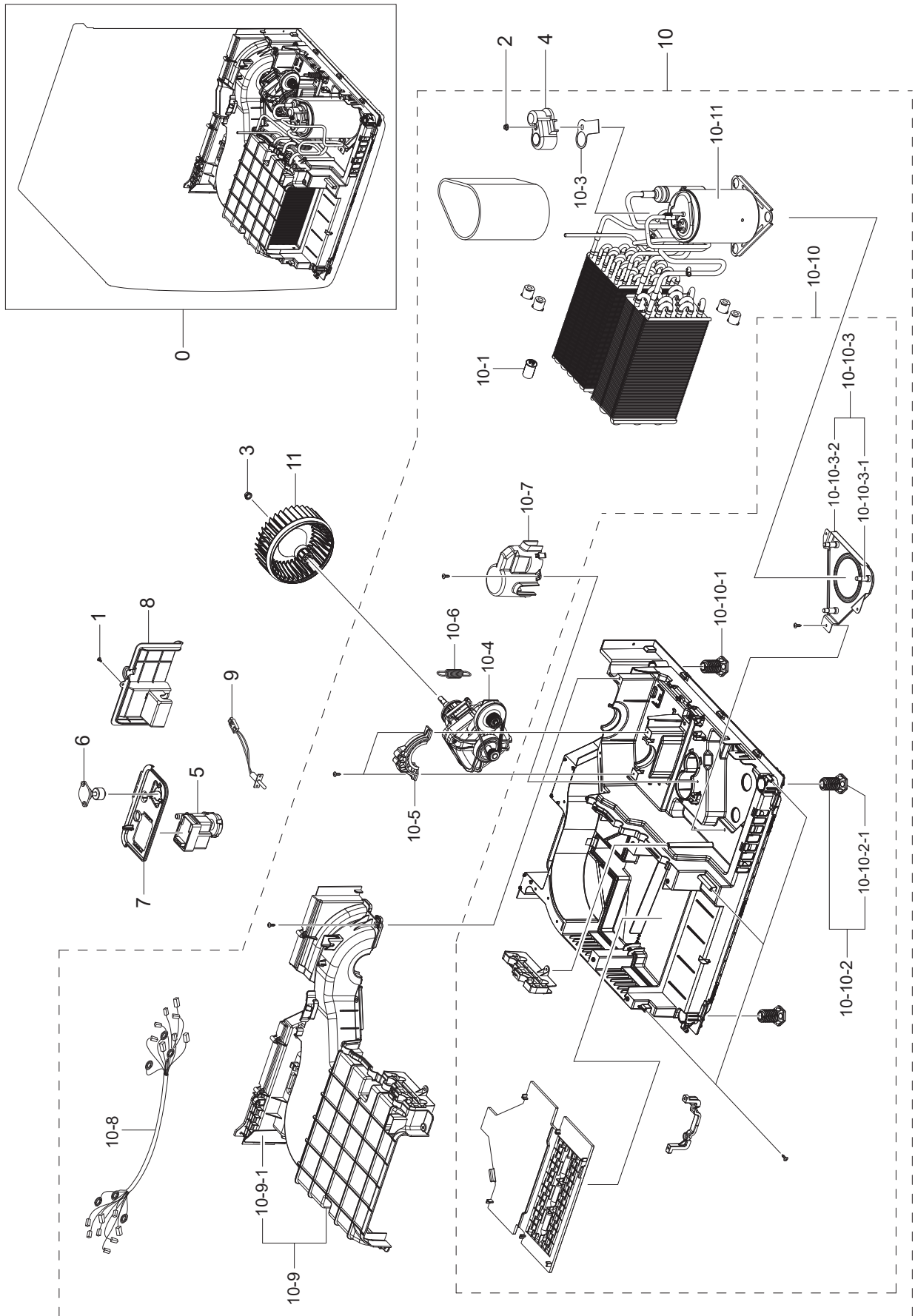


---

**MODEL CODE: DV80TA220TE/EF**Service Bom (**SA**: SERVICE AVAILABLE, **SNA**: SERVICE NOT AVAILABLE)

Drawing No.	Code No.	Description	Specification	QTY	Un	SA/SNA
0	DC90-28768A	ASSY DRAWER PARTS	DV5000T,DV80TA220TE/EF	1	PC	SNA
1	DC64-03667H	PANEL DRAWER	DV5000T,ABS,HG-0760GP,DA WHITE	1	PC	SNA
2	DC97-15757L	ASSY HOSE DRAIN	DV5000T,DV90T5740BW,Housing drawer to Base,GRAY	1	PC	SA
3	DC97-17451D	ASSY HOUSING DRAWER	DV5000T,DV90T5740BW	1	PC	SA
3-1	DC61-03647A	HOUSING DRAWER	DV90D5E5HGW,PP,T2.5,NATURAL,BJ350	1	PC	SA
4	DC97-20475A	ASSY DRAWER	DV5000M,DV70M5220IW/EN,PP	1	PC	SA

## 6. ASSY BASE PARTS

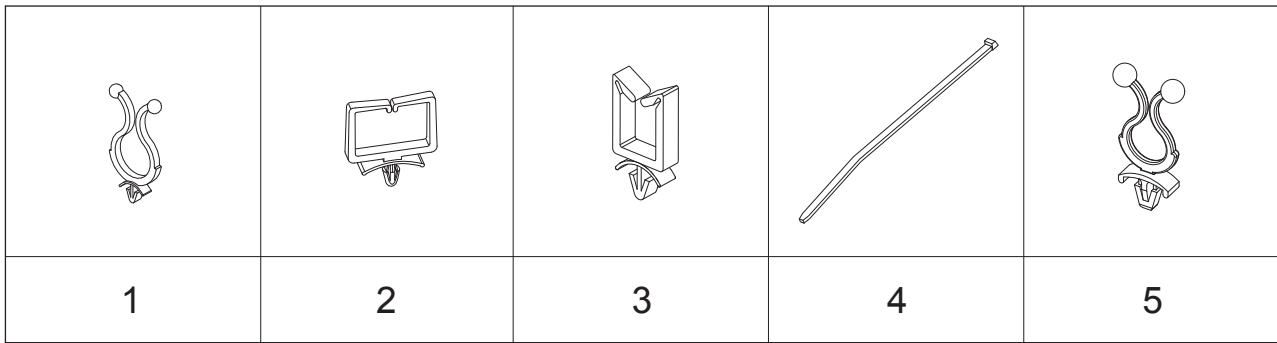


**MODEL CODE: DV80TA220TE/EF**

Service Bom (SA: SERVICE AVAILABLE, SNA: SERVICE NOT AVAILABLE)

Drawing No.	Code No.	Description	Specification	QTY	Un	SA/SNA
0	DC90-28702A	ASSY BASE PARTS	DV5000T,DV90TA240AE/ET	1	PC	SNA
1	6002-001306	SCREW-TAPPING	SWRCH18A,ZPC(WHT),L14,M4,T	29	PC	SNA
2	6021-001142	NUT-HEXAGON FLANGE	M5,ZPC(WHT),SWRCH10A,	1	PC	SNA
3	6021-001321	NUT-INCH	RIGHT TURN,3/8"-24,ZPC(BLK),SWR	1	PC	SNA
4	DB63-02310A	COVER TERMINAL	SABIC N1250,2.5,BLACK,no	1	PC	SA
5	DC31-00105A	MOTOR AC PUMP	B13-6AA01120,B13-6AA01120,	1	PC	SA
6	DC34-00010B	SWITCH FLOAT	50mm,2.5mm,50mm,AMP 177899-	1	PC	SA
7	DC61-05152B	HOLDER PUMP MOTOR	DV90T6240HT/S3,PP,T2.5	1	PC	SA
8	DC63-01609A	COVER PUMP	DV-F500E,PP,T2.5,NATURAL,MU30	1	PC	SA
9	DC90-10128G	ASSY THERMISTOR	DRYER,5V,-20~125°C,120mm,	1	PC	SA
10	DC90-28700A	ASSY CIRCULATION SYSTEM PARTS	DV5000T,DV	1	PC	SA
10-1	2501-001233	C-OIL	15,-25to+80,450V,±5,50x65,#250,PP,	1	PC	SA
10-3	DB63-00817A	GASKET	R/COMP,SIR,T0.8,L80,60-70,Interna	1	PC	SA
10-4	DC31-00184E	MOTOR BLDC-MODULE	D200B B,2600rpm,310V,1	1	PC	SA
10-5	DC61-02467A	SUPPORT-MOTOR(U)	D100-PJT,PP+GLF15%,T3,W	1	PC	SA
10-6	DC61-02487A	SPRING ETC TENSION	SDC18809,HSWR,CD2.0,O	1	PC	SA
10-7	DC61-03633A	HOLDER CONDENSER	DV-F500E,PP,T2.5,NATURA	1	PC	SA
10-8	DC93-00773E	ASSY WIRE HARNESS-MAIN	DRYER-M,DV80TA220	1	PC	SA
10-9	DC93-00877A	ASSY COVER CONDENSER	DV5000T,DV90T8240SH	1	PC	SNA
10-9-1	DC63-02620A	COVER CONDENSER-U	DV90T6240LH/S3,PP+TD30	1	PC	SNA
10-10	DC97-22163A	ASSY BOTTOM-MODULE	DV5000T,DV90T6240HT/S	1	PC	SNA
10-10-1	DC61-02447B	LEG	D100 DRYER,FRPP,NATURAL	2	PC	SA
10-10-2	DC61-04545A	LEG	DV5000M,FRPP,NATURAL	2	PC	SA
10-10-2-1	DC61-05178A	LEG RUBBER	DV5000T,EPDM,DARK HOLDER GRAY	2	PC	SA
10-10-3	DC97-17568A	ASSY BRACKET COMP	DV-F500E	1	PC	SNA
10-10-3-1	6011-001539	BOLT-ETC	M8,L36.5(10),ZPC(YEL),FH,+,MSWR	3	PC	SA
10-10-3-2	DC61-03656A	BRACKET COMP	DV-F500E,GI-SGCC,T1,NATURAL	1	PC	SA
10-11	UX9CT3030JJASS	RCP,COMP,RCP(DRYER),J,R134A	0	1	PC	0
11	DC93-00873A	ASSY FAN DRY	DV5000T,DV90T5740BV,FRPP	1	PC	SA

## 7. SMALL PARTS



### MODEL CODE: DV80TA220TE/EF

Service Bom (SA: SERVICE AVAILABLE, SNA: SERVICE NOT AVAILABLE)

Drawing No.	Code No.	Description	Specification	Install. Point	QTY	Un	SA/SNA
1	DC61-40081A	HOLDER WIRE	DAWH-2NC,PA66,NATURAL	ASSY FRAME-REAR	1	PC	SA
2	DC61-60074A	HOLDER WIRE	PA,NATURAL,101F,rectangle	FRAME REAR	1	PC	SNA
2	DC61-60074A	HOLDER WIRE	PA,NATURAL,101F,rectangle	ASSY DRUM FRONT	1	PC	SNA
3	DC61-00553B	CABLE CLAMP	DAWS-3NE,PA66,NTR	ASSY BOTTOM	1	PC	SNA
3	DC61-00553B	CABLE CLAMP	DAWS-3NE,PA66,NTR	ASSY DRUM FRONT	2	PC	SNA
4	DC65-10001A	CABLE TIE	CT-140,T1.1,W3.5,L145,NTR,NYLON66	ASSY ACCESSORY	2	PC	SNA
5	DE65-20026A	HOLDER WIRE	PA,NATURAL,LOCK-TWIST/ STAND/Y260STC/SSEC/NYLON66	FRAME REAR	2	PC	SNA
5	DE65-20026A	HOLDER WIRE	PA,NATURAL,LOCK-TWIST/ STAND/Y260STC/SSEC/NYLON66	GUIDE AIR FLOW	1	PC	SNA

## 8. PARTS LIST (SCREW TYPE)

### MODEL CODE: DV80TA220TE/EF

Service Bom (SA: SERVICE AVAILABLE, SNA: SERVICE NOT AVAILABLE)

Code No.	Description	Specification	QTY	Un	SA/ SNA
6001-001773	SCREW-MACHINE	TH,+,M5,L12,PASS,STS304,2,SEAL-LOCK	2	PC	SA
6002-000213	SCREW-TAPPING	TH,+,1,M4,L12,ZPC(WHT),SWRCH18A	14	PC	SNA
6002-000215	SCREW-TAPPING	TH,+,1,M4,L16,ZPC(WHT),SWRCH18A	14	PC	SNA
6002-000234	SCREW-TAPPING	TH,+,NO,2S,M4,L16,ZPC(WHT),SWRCH18A	12	PC	SNA
6002-000239	SCREW-TAPPING	TH,+,NO,2S,M4,L8,ZPC(WHT),SWRCH18A	15	PC	SNA
6002-000445	SCREW-TAPPING	TH,+,NO,2,M4,L18,PASS,STS430	8	PC	SNA
6002-000630	SCREW-TAPPING	PH,+,2S,M3,L8,ZPC(WHT),SWRCH18A	1	PC	SNA
6002-001149	SCREW-TAPPING	TH,+,NO,2S,M4,L12,NI PLT,SWRCH18A,ZnNi + TOP Coating	4	PC	SNA
6002-001286	SCREW-TAPPING	FH,+, -,1,M4,L16,PASS,STS430,-	3	PC	SNA
6002-001306	SCREW-TAPPING	TH,+,1,M4,L14,ZPC(WHT),SWRCH18A	45	PC	SNA
6002-001431	SCREW-TAPPING	HEX,+,2,M5,L16,ZPC(WHT),SWRCH18A	2	PC	SA
6002-001435	SCREW-TAPPING	TH,+,2,M4,L12,PASS,STS304	9	PC	SNA
6003-001768	SCREW-TAPTYPE	TH,+,WT,S,M4,L10,ZPC(WHT),SWRCH18A	4	PC	SNA
6006-001174	SCREW-TAPPING	TH,+,WT,2S,M4,L12,ZPC(WHT),SWRCH18A	13	PC	SNA
6009-001240	SCREW-SPECIAL	TH,+,M5,L13.5,ZPC(WHT),SWRCH18A,2	2	PC	SNA
6009-001343	SCREW-SPECIAL	PH,TORX,M4,L12,ZPC(WHT),SWRCH18A,1,2BODY	1	PC	SNA
6009-001522	SCREW-HEX	HWH,+,M5,L16,PASS,STS430,FP,SEAL-LOCK	2	PC	SA
DB97-02087A	ASSY-SCREW TAPPING	SS-P/J,TH,M4*L16,WHITE	2	PC	SNA