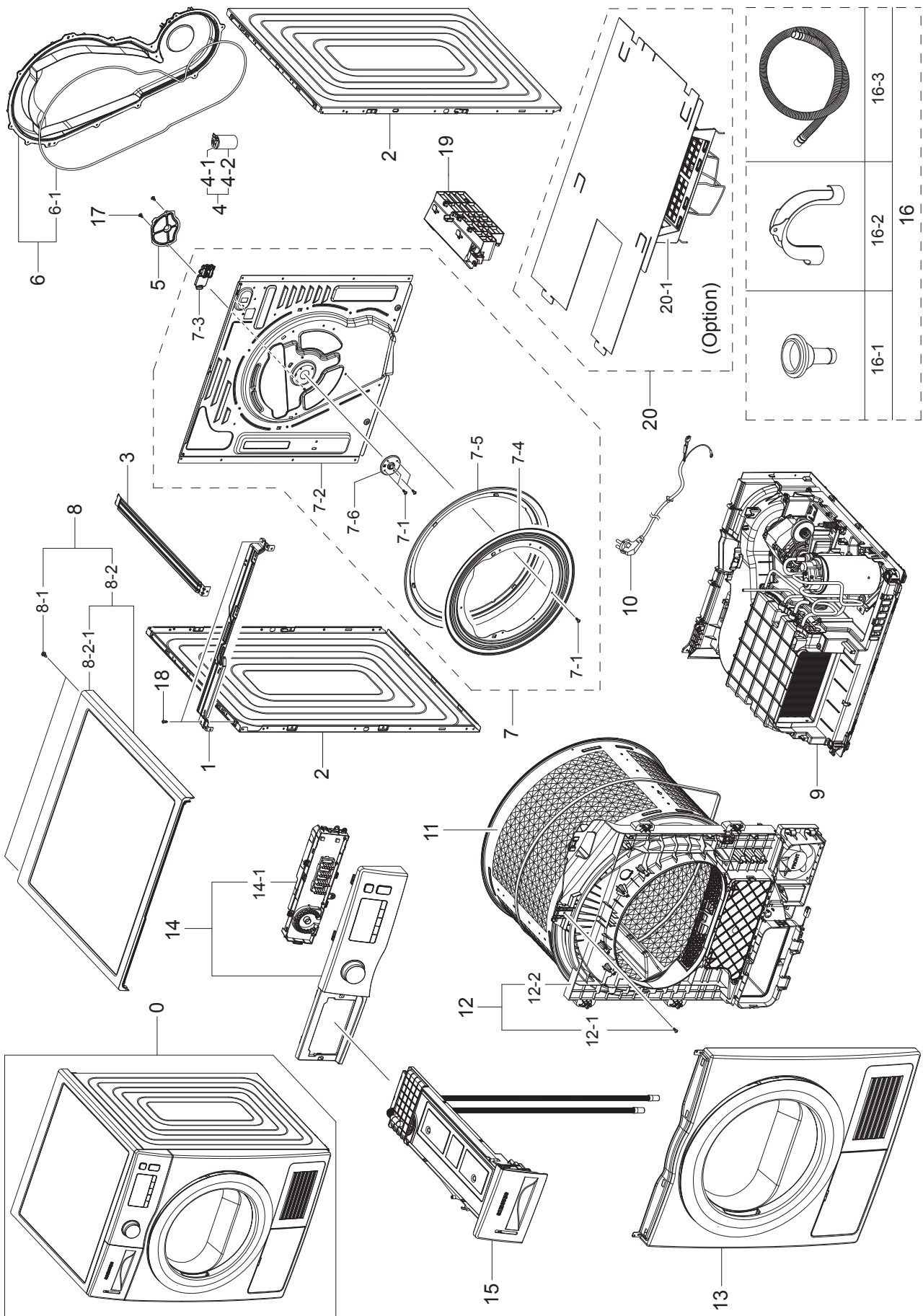


1. MAIN



MODEL CODE: DV80M6210CW/EN

Service Bom (SA: SERVICE AVAILABLE, SNA: SERVICE NOT AVAILABLE)

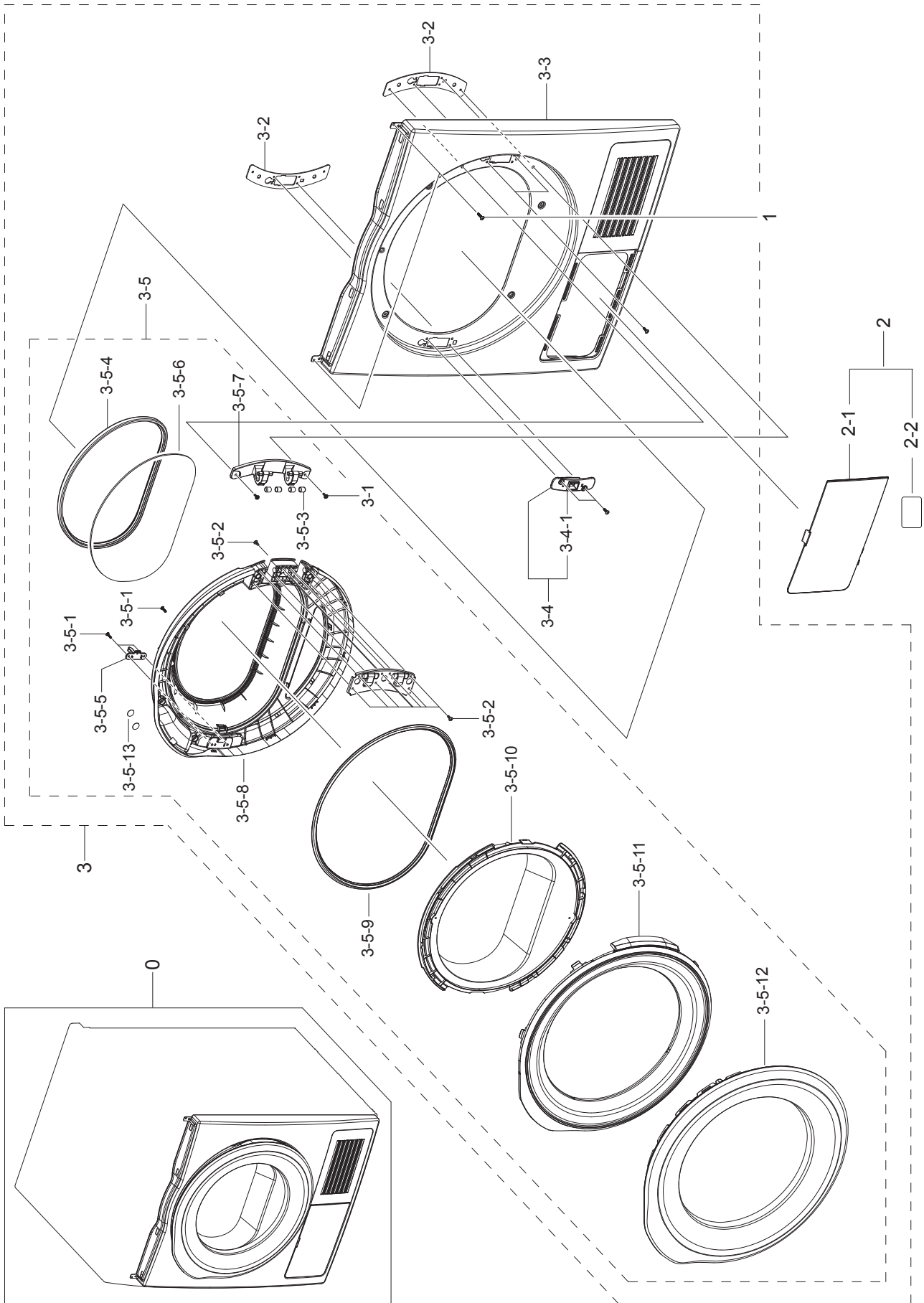
SVC_Code	Code No.	Description	Specification	QTY	Un	SA/ SNA
0	DV80M6210CW/ EN	ASSY-CLOTHES DRYER	DV6000M			
1	DC61-03629A	FRAME PLATE-UP	DV90F5E6HGW,GI-SGCC,T1	1	PC	SA
2	DC61-03638A	FRAME-SIDE	DV90F5E6HGW,EGI-SECC,-,DA WHI	2	PC	SA
3	DC61-03639A	GUIDE WIRE	DV90F5E6HGW,GI-SGCC,T1	1	PC	SA
4	DC97-20185A	ASSY FILTER GUIDE	DV8000M,DV80M8214AW,FI	1	PC	SNA
4-1	DC61-04408A	BRACKET FILTER	DV80M8215AW/EG,GI-SGCC,T0	1	PC	SA
4-2	DC29-00015G	FILTER EMI	LFT-215G,300Khz,VDE, KS,6.5mH	1	PC	SA
5	DC63-01263A	COVER BEARING	SDC18809,EGI-SECC,T0.8,W10	1	PC	SA
6	DC93-00720A	ASSY COVER DUCT	DV5000M,PP+Packing-Tub+S	1	PC	SA
6-1	DC62-00377C	SEAL DUCT	DV90F5E6HGW,EPDM,BLACK,-,L1840	1	PC	SA
6-2	DC63-02060A	COVER DUCT FAN	DV80M8215AW/EG,PP,HB,DARK	1	PC	SA
7	DC97-20441A	ASSY FRAME-REAR	DV5000M,dv500f,ETC,-	1	PC	SA
7-1	6002-000239	SCREW-TAPPING	TH,+,NO,2S,M4,L8,ZPC(WHT),	8	PC	SNA
7-2	DC61-03637B	FRAME-REAR	DV80M8215AW,GI-SGCC,T0.7	1	PC	SA
7-3	DC63-01964A	COVER CONNECTOR	PP,T2.5,HB,NATURAL,HASS	1	PC	SNA
7-4	DC61-02263A	BRACKET GASKET FELT	DCVH480EK0WW,STS430,	1	PC	SA
7-5	DC93-00754A	ASSY GASKET FELT	DV5000M,DV70M5220IW/EN	1	PC	SA
7-6	DC97-16288A	ASSY HOUSING BEARING	D100-PJT,SDC18809(O	1	PC	SA
8	DC90-24930A	ASSY COVER TOP PARTS	DV5000M	1	PC	SNA
8-1	6002-001431	SCREW-TAPPING	HEX,+,2,M5,L16,ZPC(WHT),SW	2	PC	SA
8-2	DC97-20438A	ASSY COVER TOP	DV5000M,3.5,DA WHITE	1	PC	SA
8-2-1	DC63-01606A	COVER TOP	DV90F5E6HGW,ABS,T3.5,-,DA WHIT	1	PC	SA
9	DC90-24987A	ASSY BASE PARTS	DV5000M	1	PC	SNA
10	3903-001192	POWER CORD-AT	H05VV-F 3x1.0mm2,GRY,EU3F,	1	PC	SA
11	DC90-13381A	ASSY DRUM	DV-F500E 9KG	1	PC	SNA
12	DC90-27699A	ASSY INNER PARTS	DV80M50101W/EF	1	PC	SNA
12-1	6006-001174	SCREW-TAPPING	TH,+,WT,2S,M4,L12,ZPC(WHT)	1	PC	SNA
12-2	DC97-21795A	ASSY DRUM FRONT	DV5000M,LAMP	1	PC	SA
13	DC90-25305A	ASSY FRONT PARTS	DV6000M,DV80M6210CW/EC	1	PC	SNA
14	DC90-27887A	ASSY PANEL CONTROL PARTS	DV6000M,DV80M62	1	PC	SNA
14-1	DC92-02026B	ASSY KIT	FCD_INV,DV6000M,INVERTER, 8KG	1	PC	SNA
15	DC90-25084A	ASSY DRAWER PARTS	DV5000M	1	PC	SNA
16	DC98-03342F	ASSY ACCESSORY	DV5000M	1	PC	SNA
16-1	DC61-02479A	GUIDE HOSE	SDC18809,PP,T1.5,L34.5,NTR,D1	1	PC	SA
16-2	DC62-10278A	HOSE HANGER	PUMP MODEL,PP,ID27,T1.5,HS95	1	PC	SA
16-3	DC97-15757C	ASSY HOSE DRAIN	D100,SDC18809,L1998,ID9.	1	PC	SA
17	6002-000239	SCREW-TAPPING	TH,+,NO,2S,M4,L8,ZPC(WHT),	2	PC	SNA
18	6009-001240	SCREW-SPECIAL	TH,+,M5,L13.5,ZPC(WHT),SWR	2	PC	SNA

MODEL CODE: DV80M6210CW/EN

Service Bom (SA: SERVICE AVAILABLE, SNA: SERVICE NOT AVAILABLE)

SVC_Code	Code No.	Description	Specification	QTY	Un	SA/ SNA
19	DC92-02056A	ASSY HOLDER PCB	DV8000M,DV80M8214AW/EN	1	PC	SA

2. ASSY FRONT PARTS

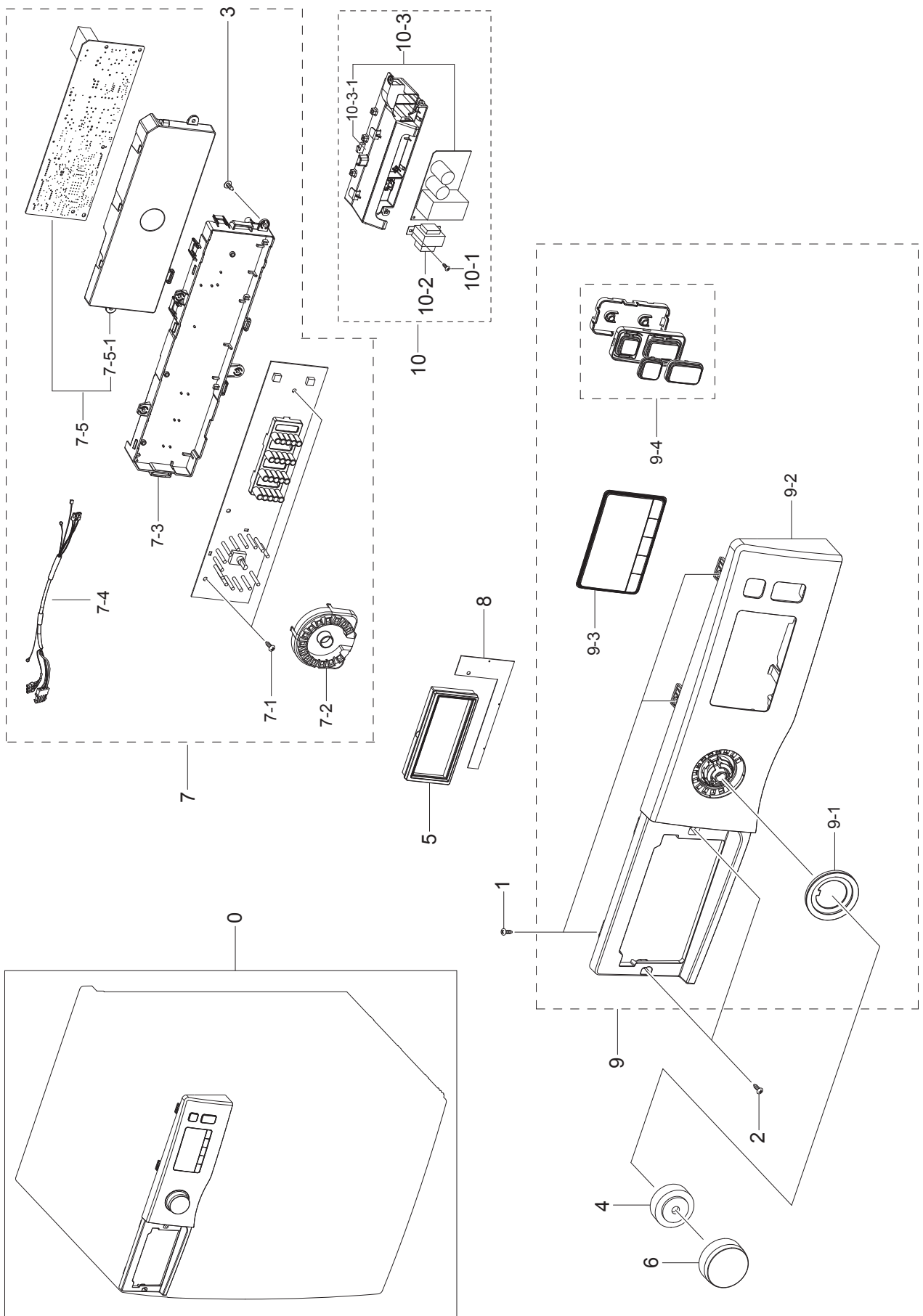


MODEL CODE: DV80M6210CW/EN

Service Bom (SA: SERVICE AVAILABLE, SNA: SERVICE NOT AVAILABLE)

SVC_Code	Code No.	Description	Specification	QTY	Un	SA/ SNA
0	DC90-25305A	ASSY FRONT PARTS	DV6000M,DV80M6210CW/EC	1	PC	SNA
1	6006-001174	SCREW-TAPPING	TH,+,WT,2S,M4,L12,ZPC(WHT)	2	PC	SNA
2	DC93-00834A	ASSY COVER CONDENSER	DV5000M,DV70M5020IW	1	PC	SA
3	DC63-02078A	COVER CONDENSER	DV6000M,ABS,HB,DA WHITE	1	PC	SA
3-1	DC68-03808F	LABEL INSTRUCTION	DV90M**,Global,ART,W90	1	PC	SNA
3-2	DC97-21343F	ASSY FRAME FRONT	DV6000M,DV80M6210CW/EC,	1	PC	SA
3-3	6009-001522	SCREW-HEX	HWH,+,M5,L16,PASS,STS430,FP,SE	2	PC	SA
3-4	DC61-02283C	BRACKET HINGE	DV5000M,HGI-SGHC,T2	1	PC	SA
3-4-1	DC61-03640L	FRAME FRONT	DV6000K,GI-SGCD,DA WHITE,T0.	1	PC	SNA
3-5	DC97-15505B	ASSY HOLDER LEVER	D100,SDC18809,DARK HOL	1	PC	SA
3-5-1	DC61-02253B	HOLDER LEVER	D100,POM,DARK HOLDER GRAY	1	PC	SA
3-5-2	DC97-20549A	ASSY DOOR	DV6000K,DV80M6210,GENTLE BLUE	1	PC	SA
3-5-2	6002-000215	SCREW-TAPPING	TH,+,NO,1,M4,L16,ZPC(WHT),	6	PC	SNA
3-5-2	6002-000445	SCREW-TAPPING	TH,+,NO,2,M4,L18,PASS,STS4	8	PC	SNA
3-5-3	DC61-00891A	GUIDE HINGE	HAUZEN(DOM),POM,B,white,HING	4	PC	SA
3-5-4	DC62-00270D	SEAL DOOR	DV6000K,TPE,XR-1045	1	PC	SA
3-5-5	DC66-00643A	LEVER DOOR	DV-F500E,ZNDC,PLATING NI	1	PC	SA
3-5-6	DC64-03449A	DOOR GLASS	DV6000K,GLASS,T3.2,CLEAR TP	1	PC	SA
3-5-7	DC61-04217A	HINGE DOOR	DV6000K,ALDC,HB	1	PC	SA
3-5-8	DC97-20550A	ASSY HOLDER GLASS	DV6000M,DV80M6210CW/EC	1	PC	SA
3-5-9	DC62-00488A	SEAL AIR	DV6000K,TPE,XR-1045	1	PC	SA
3-5-10	DC63-01968A	COVER DOOR	DV6000K,ABS,T2.3,HB,Deep Gent	1	PC	SA
3-5-11	DC63-01969A	COVER-GLASS	DV6000K,ABS,T2,HB,VERSAILLES	1	PC	SA
3-5-12	DC63-01967A	COVER DOOR	DV6000K,ABS+PMMA,HB,GENTLE BL	1	PC	SA
3-5-13	DC64-03237B	INLAY-DOOR	PET,T0.3,VERSAILLES GRAY,OD:2	2	PC	SA

3. ASSY PANEL CONTROL PARTS

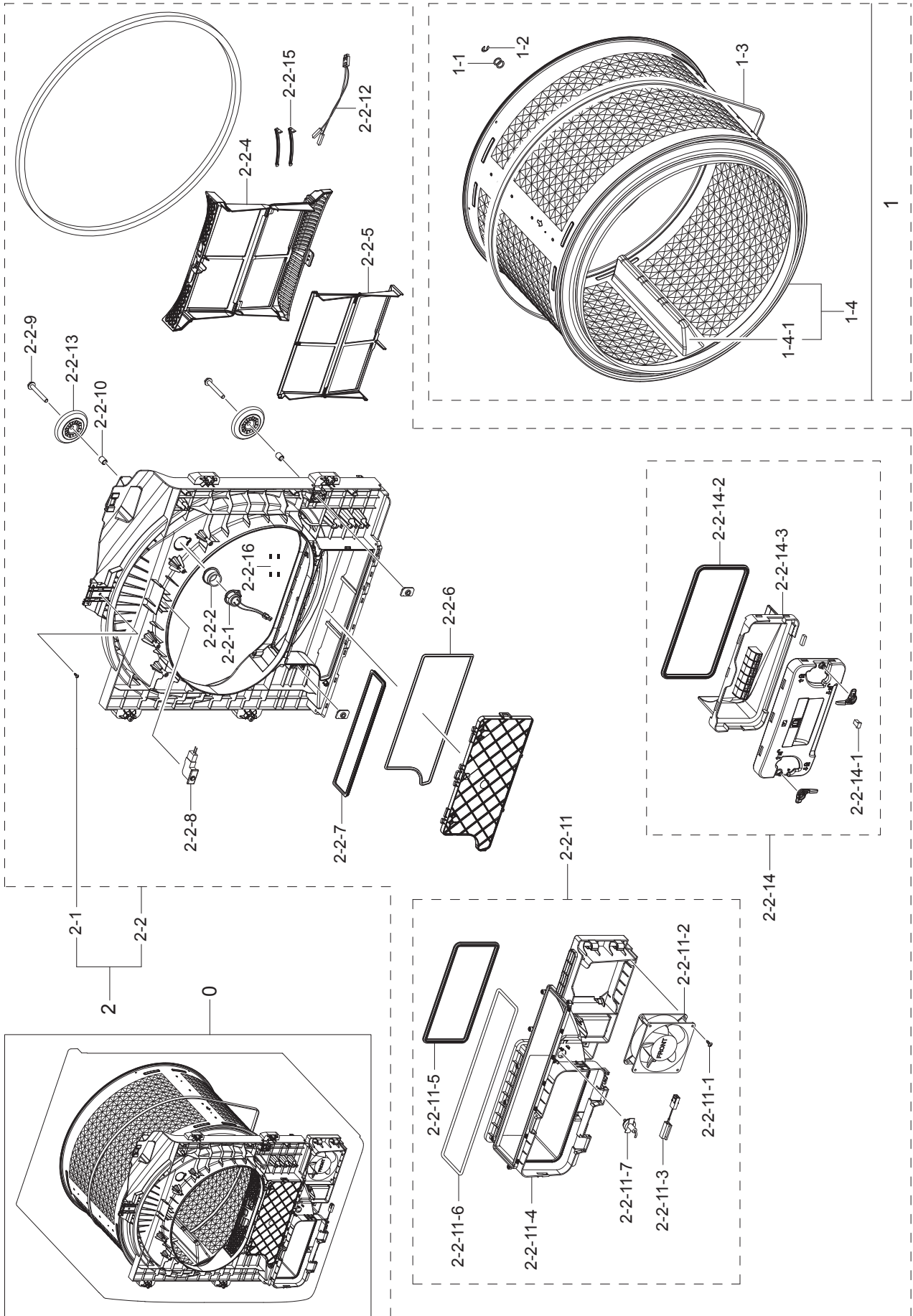


MODEL CODE: DV80M6210CW/EN

Service Bom (SA: SERVICE AVAILABLE, SNA: SERVICE NOT AVAILABLE)

SVC_Code	Code No.	Description	Specification	QTY	Un	SA/ SNA
0	DC90-27887A	ASSY PANEL CONTROL PARTS	DV6000M,DV80M62	1	PC	SNA
1	6002-000239	SCREW-TAPPING	TH,+,NO,2S,M4,L8,ZPC(WHT),	3	PC	SNA
2	6002-000445	SCREW-TAPPING	TH,+,NO,2,M4,L18,PASS,STS4	2	PC	SNA
3	6002-001306	SCREW-TAPPING	TH,+,1,M4,L14,ZPC(WHT),SWR	3	PC	SNA
4	DC62-00402A	SEAL RUBBER	EPDM,BLACK,-,BEST	1	PC	SA
5	DC62-00404B	SEAL RUBBER	EPDM,BLACK	1	PC	SNA
6	DC64-03312B	KNOB ENCODER	F500E,ABS+PMMA,BK0018, TP00	1	PC	SA
7	DC92-02026B	ASSY KIT	FCD_INV,DV6000M,INVERTER, 8KG	1	PC	SNA
7-1	6002-000239	SCREW-TAPPING	TH,+,NO,2S,M4,L8,ZPC(WHT),	2	PC	SNA
7-2	DC61-03098A	BRACKET-ENCODER	ARNO,HIPS,T1.5,W75.8,L78	1	PC	SNA
7-3	DC63-02064A	COVER PCB-SUB	DV80M8215AW/EG,HIPS,V-0,NA	1	PC	SNA
7-4	DC96-01574B	ASSY WIRE HARNESS	DRUM-M,WF210ANW,8PIN,L	1	PC	SA
7-5	DC92-02020A	ASSY PCB MAIN	FCD_INV,DV8/6/5000M,242*80	1	PC	SA
7-5-1	DC63-02065A	COVER PCB-MAIN	DV80M8215AW/EG,HIPS,V-0,N	1	PC	SNA
8	DC93-00540A	ASSY SENSOR	F500 IML BEST,5V,7-BUTTON,TO	1	PC	SA
9	DC97-21836A	ASSY PANEL CONTROL	DV90M6200CW/EN	1	PC	SA
9-1	DC64-02856B	WINDOW ENCODER	ABS+PMMA,HB,TF-0930,GRAY	1	PC	SNA
9-2	DC64-02955A	PANEL CONTROL	DV90D5E5HGW,ABS,-,HG-0760G	1	PC	SA
9-3	DC64-03600A	WINDOW PANEL	DV90M6200CW/EN,PMMA,HB,FT61	1	PC	SNA
9-4	DC97-19103A	ASSY BUTTON	WD6000J	1	PC	SNA
10	DC92-02056A	ASSY HOLDER PCB	DV8000M,DV80M8214AW/EN	1	PC	SA
10-1	6002-000239	SCREW-TAPPING	TH,+,NO,2S,M4,L8,ZPC(WHT),	1	PC	SNA
10-2	DC27-00012A	COIL HARMONIC	4.5mH,40x69x39mm,3A,-	1	PC	SNA
10-3	DC92-02029A	ASSY KIT	WM PF2 VE,DV8000M INV,WM PF2 VE	1	PC	SA
10-3-1	DC63-02066A	COVER PCB-INVERTER	DV80M8215AW/EG,PP,V-0	1	PC	SA

4. ASSY DRUM & ASSY INNER PARTS

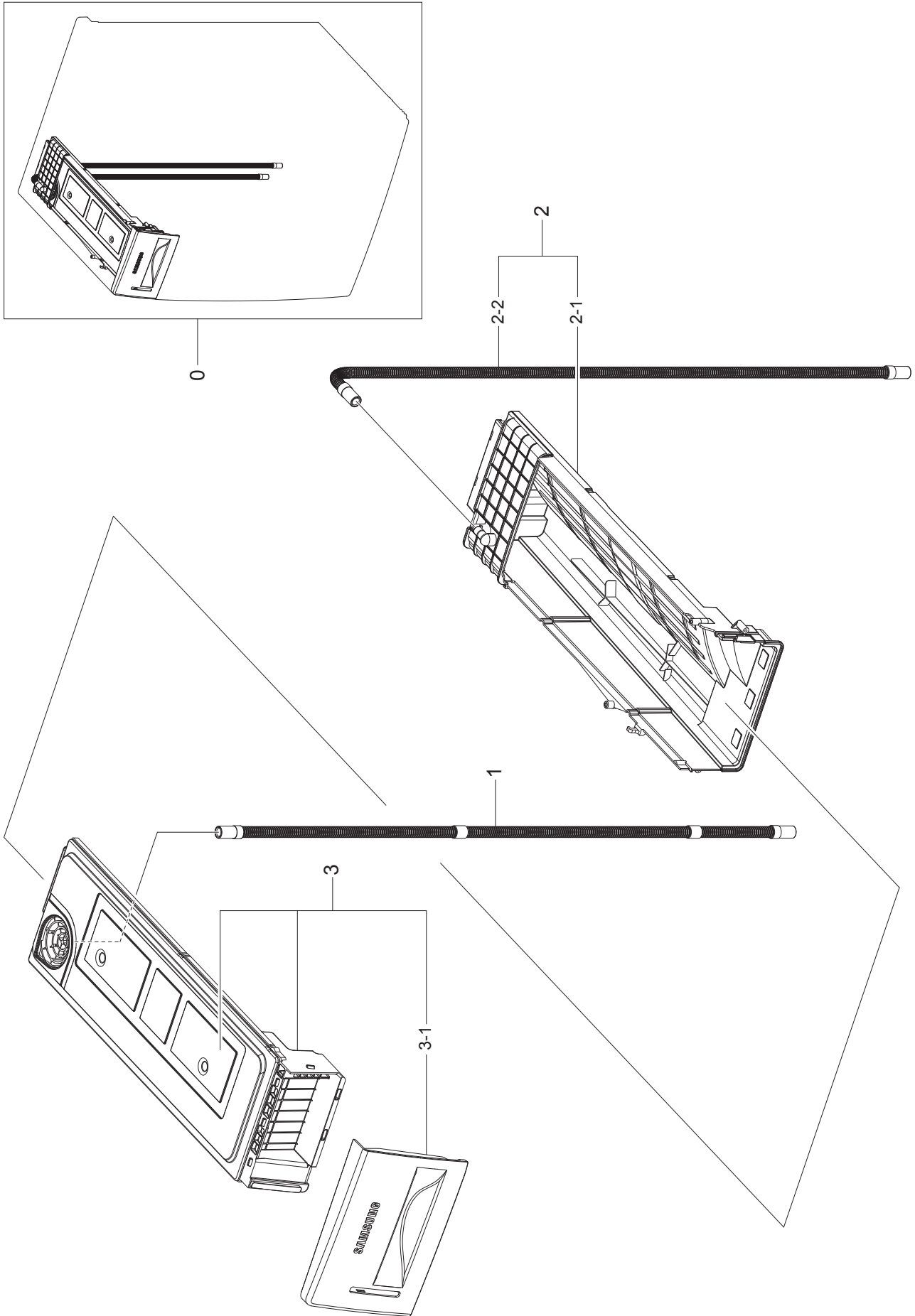


MODEL CODE: DV80M6210CW/EN

Service Bom (SA: SERVICE AVAILABLE, SNA: SERVICE NOT AVAILABLE)

SVC_Code	Code No.	Description	Specification	QTY	Un	SA/ SNA
0		ASSY DRUM & ASSY INNER PARTS	DV6000M	1	PC	SNA
1	DC90-13381A	ASSY DRUM	DV-F500E 9KG	1	PC	SNA
1-1	6031-002038	WASHER-PLAIN	PA,ID12,OD17,T1,ZPC(BLK)	2	PC	SNA
1-2	6044-001784	RING-C	ID11.1,STW-12,T1.0,BLK,SK5	1	PC	SA
1-3	6602-002024	BELT-TIMING GEAR	7PH1970,RUBBER,T2.7,L19	1	PC	SA
1-4	DC97-17465F	ASSY DRUM WRAPPER	DV5000M	1	PC	SA
1-4-1	DC66-00541A	DRUM LIFTER	GE24-DRYER,PP,T3.0,FC2210,GR	3	PC	SA
2	DC90-27699A	ASSY INNER PARTS	DV80M50101W/EF	1	PC	SNA
2-1	6006-001174	SCREW-TAPPING	TH,+ ,WT,2S,M4,L12,ZPC(WHT)	1	PC	SNA
2-2	DC97-21795A	ASSY DRUM FRONT	DV5000M,LAMP	1	PC	SA
2-2-1	DC47-00027A	ASSY LAMP LED	2ea,FR-1,14*12,WHITE,AMP 5	1	PC	SA
2-2-2	DC61-02457A	FIXER LAMP	D100-DRYER,EPDM,GRAY	1	PC	SA
2-2-3	DC61-02485A	BUSH BEARING	SDC18809,SWRCH10A,ID8,OD12,	2	PC	SA
2-2-4	DC61-04407D	CASE FILTER	DV5000M,PP,DARK HOLDER GRAY	1	PC	SA
2-2-5	DC61-04409C	CASE FILTER	DV5000M,PP,DARK HOLDER GRAY,	1	PC	SA
2-2-6	DC62-00377A	SEAL DUCT	DV90F5E6HGW,EPDM,BLACK,-	1	PC	SA
2-2-7	DC62-00503A	SEAL PACKING	DV80M8215AW/EG,EPDM,DARK HO	1	PC	SA
2-2-8	DC64-00828D	SWITCH DOOR	AC125-250V,7.5A,5A,OP0.8mm	1	PC	SA
2-2-9	DC66-00572A	SHAFT ROLLER	SDC18809,SWRCH10A,L61,OD8,Z	2	PC	SA
2-2-10	DC66-00923A	DRUM FRONT-R	DV80M8215AW/EG,PP,HB,DARK H	1	PC	SA
2-2-11	DC93-00700D	ASSY DUCT FRONT	DV8000M,DV80M8215AW,PP(F	1	PC	SNA
2-2-11-1	6002-001306	SCREW-TAPPING	TH,+ ,1,M4,L14,ZPC(WHT),SWR	1	PC	SNA
2-2-11-2	DC31-00177A	MOTOR FAN	F1238S12B, AFB1212LE-02,3.5W,D	1	PC	SA
2-2-11-3	DC34-00001G	SWITCH REED	14~30,370mm,25.4±0.5mm,14mm,	1	PC	SA
2-2-11-4	DC61-04413A	GUIDE AIR FLOW	DV80M8215AW/EG,PP,HB,FC23	1	PC	SA
2-2-11-5	DC62-00280B	SEAL CONDENSER	DV-F500E,TPV,KT GRAY,XR-1	1	PC	SA
2-2-11-6	DC62-00377D	SEAL DUCT	DV80M8214AW,EPDM,BLACK,L850	1	PC	SNA
2-2-11-7	DC90-10128G	ASSY THERMISTOR	DRYER,5V,-20~125°C,120mm,	1	PC	SA
2-2-12	DC96-00766A	ASSY WIRE HARNESS-TOUCH	DRYER-L,-,,,,,,	1	PC	SA
2-2-13	DC97-15768A	ASSY ROLLER	D100-PJT,SDC18809	2	PC	SA
2-2-14	DC97-20185A	ASSY FILTER GUIDE	DV8000M,DV80M8214AW,FI	1	PC	SNA
2-2-14-1	DA66-01072A	LATCH	LATOUR,POM,NATURAL,DC LATCH	1	PC	SA
2-2-14-2	DC62-00280C	SEAL CONDENSER	DV-F500E,TPV,KT GRAY,XR-1	1	PC	SA
2-2-14-3	DC63-02067A	FILTER GUIDE	DV80M8215AW/EG,PP,KT GRAY	1	PC	SNA
2-2-15	DC61-04406A	PLATE SENSOR	DV80M8215AW/EG,STS430,T0.8	2	PC	SA
2-2-16	DC61-60044W	CUSHION LID	SW12E1SP,SI,-,-,-,-,INOX GRA	4	PC	SA

5. ASSY DRAWER PARTS

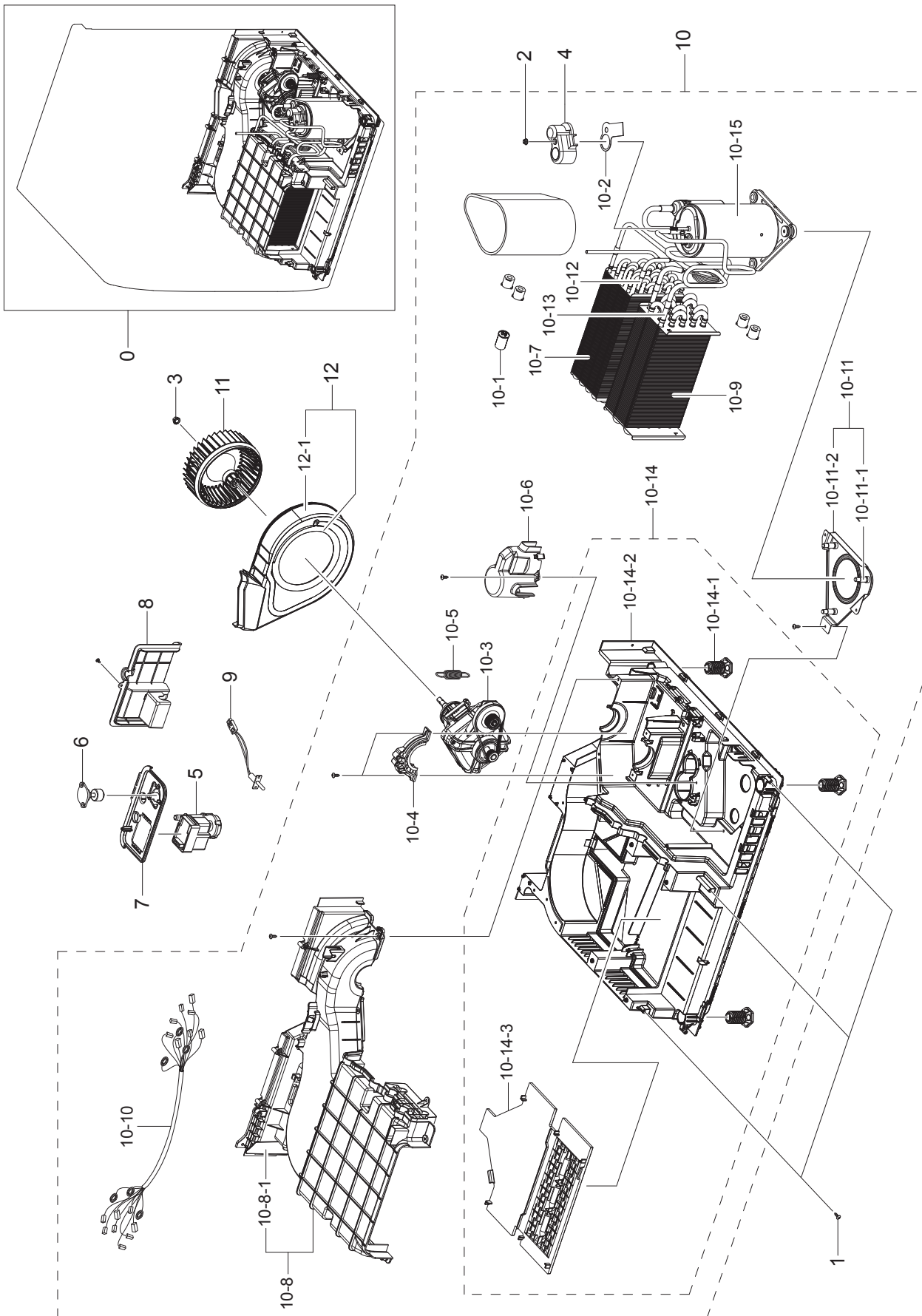


MODEL CODE: DV80M6210CW/EN

Service Bom (SA: SERVICE AVAILABLE, SNA: SERVICE NOT AVAILABLE)

SVC_Code	Code No.	Description	Specification	QTY	Un	SA/ SNA
0	DC90-25084A	ASSY DRAWER PARTS	DV5000M	1	PC	SNA
1	DC97-15757F	ASSY HOSE DRAIN	DV-F500E,DV90D5E5HGW,GRA	1	PC	SA
2	DC97-17451A	ASSY HOUSING DRAWER	DV-F500E,DV90F5E6HGW	1	PC	SA
2-1	DC61-03647A	HOUSING DRAWER	DV90D5E5HGW,PP,T2.5,NATUR	1	PC	SA
2-2	DC97-15757E	ASSY HOSE DRAIN	DV-F500E,DV90D5E5HGW,GRA	1	PC	SA
3	DC97-20475A	ASSY DRAWER	DV5000M,DV70M5220IW/EN,PP	1	PC	SA
3-1	DC64-03667A	PANEL DRAWER	DV90D5E5HGW,ABS,HG-0760GP,D	1	PC	SA

6. ASSY BASE PARTS



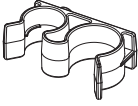
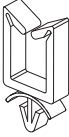
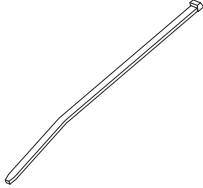

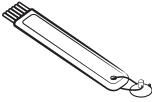


MODEL CODE: DV80M6210CW/EN

Service Bom (SA: SERVICE AVAILABLE, SNA: SERVICE NOT AVAILABLE)

SVC_Code	Code No.	Description	Specification	QTY	Un	SA/ SNA
0	DC90-24987A	ASSY BASE PARTS	DV5000M	1	PC	SNA
1	6002-000234	SCREW-TAPPING	TH,+,NO,2S,M4,L16,ZPC(WHT)	12	PC	SNA
2	6021-001142	NUT-HEXAGON FLANGE	M5,ZPC(WHT),SWRCH10A,	1	PC	SNA
3	6021-001321	NUT-INCH	RIGHT TURN,3/8"-24,ZPC(BLK),SWR	1	PC	SNA
4	DB63-02310A	COVER TERMINAL	SABIC N1250,2.5,-,BLACK,N	1	PC	SA
5	DC31-00105A	MOTOR AC PUMP	B13-6AA01120,B13-6AA01120,	1	PC	SA
6	DC34-00010A	SWITCH FLOAT	50±0.5mm,1.5,50mm,MG624537,	1	PC	SA
7	DC61-03643A	HOLDER PUMP MOTOR	DV-F500E,PP,T2.5,NATUR	1	PC	SA
8	DC63-01609A	COVER PUMP	DV-F500E,PP,T2.5,NATURAL,MU30	1	PC	SA
9	DC90-10128G	ASSY THERMISTOR	DRYER,5V,-20~125□,120mm,	1	PC	SA
10	DC90-24932A	ASSY CIRCULATION SYSTEM PARTS	DV5000M,DV	1	PC	SA
10-1	2501-001233	C-OIL	15,-25to+80,450V,±5,50x65,#250,PP,	1	PC	SA
10-2	DB63-00817A	GASKET	R/COMP,SIR,T0.8,L80,-,60-70,Inter	1	PC	SA
10-3	DC31-00184A	MOTOR BLDC	D200B,3300rpm,DC310V,1.0A,200	1	PC	SA
10-4	DC61-02467A	SUPPORT-MOTOR(U)	D100-PJT,PP,T3	1	PC	SA
10-5	DC61-02487A	SPRING ETC TENSION	SDC18809,HSWR,CD2.0,O	1	PC	SA
10-6	DC61-03633A	HOLDER CONDENSER	DV-F500E,PP,T2.5,NATURA	1	PC	SA
10-7	DC93-00394A	ASSY CONDENSER	DV-F500E,DV90F5E6HGW,AI	1	PC	SA
10-8	DC93-00661D	ASSY COVER CONDENSER	DV8000M,DV80M8215AW	1	PC	SA
10-8-1	DC63-02062A	COVER CONDENSER-U	DV80M8215AW/EG,PP,HB,N	1	PC	SA
10-9	DC93-00394A	ASSY CONDENSER	DV-F500E,DV90F5E6HGW,AI	1	PC	SA
10-10	DC93-00681A	ASSY WIRE HARNESS-MAIN	DRYER-M,DV8000M,F	1	PC	SA
10-11	DC97-17568A	ASSY BRACKET COMP	DV-F500E	1	PC	SNA
10-11-1	6011-001539	BOLT-ETC	M8,L36.5(10),ZPC(YEL),MSWR10,G1	3	PC	SA
10-11-2	DC61-03656A	BRACKET COMP	DV-F500E,GI-SGCC,T1,NATURAL	1	PC	SA
10-12	DC97-17820A	ASSY PIPE	DV-F500E,DV90F5E6HGW	16	PC	SNA
10-13	DC97-17821A	ASSY PIPE	DV-F500E,DV90F5E6HGW	7	PC	SNA
10-14	DC97-21490A	ASSY BOTTOM	ASSY BOTTOM,DV5000M	1	PC	SNA
10-14-1	DC61-02447B	LEG	D100 DRYER,FRPP,NATURAL	4	PC	SA
10-14-2	DC61-04516A	BASE	DV-F500E,PP,NATURAL,HB,FC2305	1	PC	SA
10-14-3	DC63-01602A	COVER BASE	DV-F500E,PP,T2.5,GRAY	1	PC	SA
10-15	UX9AK2037JJASS	RCP,COMP,RCP(DRYER),	0	1	PC	SA
11	DC93-00659A	ASSY FAN DRY	DV8000M,DV80M8215AW/EG,FRPP	1	PC	SA
12	DC93-00660B	ASSY GUIDE DUCT FAN	DV5000M,DV90M5200QW/	1	PC	SA
12-1	DC61-04412A	GUIDE DUCT FAN	DV80M8215AW/EG,PP,HB,PTN9	1	PC	SA

7. SMALL PARTS

				
1	2	3	4	5
				
6	7			

MODEL CODE: DV80M6210CW/EN

Service Bom (SA: SERVICE AVAILABLE, SNA: SERVICE NOT AVAILABLE)

Drawing No.	Code No.	Description	Specification	Inst point	QTY	Un	SA/SNA
1	DC61-40081A	HOLDER WIRE	DAWH-2NC,PA66,-,NATURAL,-	FRAME REAR	1	PC	SA
2	DC61-40081A	HOLDER WIRE	DAWH-2NC,PA66,-,NATURAL,-	FRAME REAR	1	PC	SA
3	DC65-00026A	CLAMPER HOSE-FIX	SDC18809,PP,BJ350,NTR	FRAME REAR	1	PC	SA
4	DC61-00553B	CABLE CLAMP	DAWS-3NE,PA66,NTR	ASSY DRUM FRONT	1	PC	SNA
5	DC65-10001A	CABLE TIE	CT-140,T1.1,W3.5,L145,NTR,NYLO	ASSY ACCESSORY	2	PC	SNA
6	DC61-00553B	CABLE CLAMP	DAWS-3NE,PA66,NTR	FRAME SIDE	1	PC	SNA
7	DC67-01067A	BRUSH	DV8500NK,ABS,LIGHT GRAY	ASSY ACCESSORY	1	PC	SA

8. PARTS LIST (SA/SC OTHER)

MODEL CODE: DV80M6210CW/EN

Service Bom (SA: SERVICE AVAILABLE, SNA: SERVICE NOT AVAILABLE)

Code No.	Description	Specification	QTY	Un	SA/ SNA
6002-000234	SCREW-TAPPING	TH,+,NO,2S,M4,L16,ZPC(WHT)	12	PC	SNA
6002-001431	SCREW-TAPPING	HEX,+,2,M5,L16,ZPC(WHT),SW	2	PC	SA
6002-001306	SCREW-TAPPING	TH,+,1,M4,L14,ZPC(WHT),SWR	2	PC	SNA
6002-001306	SCREW-TAPPING	TH,+,1,M4,L14,ZPC(WHT),SWR	8	PC	SNA
6002-001435	SCREW-TAPPING	TH,+,2,M4,L12,PASS,STS430	4	PC	SNA
6006-001174	SCREW-TAPPING	TH,+,WT,2S,M4,L12,ZPC(WHT)	2	PC	SNA
6009-001522	SCREW-HEX	HWH,+,M5,L16,PASS,STS430,FP,SE	2	PC	SA
6002-000445	SCREW-TAPPING	TH,+,NO,2,M4,L18,PASS,STS4	8	PC	SNA
6002-001286	SCREW-TAPPING	FH,+,1,M4,L16,PASS,STS43	3	PC	SNA
6002-000215	SCREW-TAPPING	TH,+,1,M4,L16,ZPC(WHT),SWR	6	PC	SNA
6001-001773	SCREW-MACHINE	TH,+,-,M5,L12,PASS,STS430,	2	PC	SA
6002-001149	SCREW-TAPPING	TH,+,NO,2S,M4,L12,NI PLT,S	4	PC	SNA
6002-000213	SCREW-TAPPING	TH,+,1,M4,L12,ZPC(WHT),SWR	5	PC	SNA
6002-000239	SCREW-TAPPING	TH,+,NO,2S,M4,L8,ZPC(WHT),	4	PC	SNA
6002-001306	SCREW-TAPPING	TH,+,1,M4,L14,ZPC(WHT),SWR	26	PC	SNA
6003-001768	SCREW-TAPTYPE	TH,+,WT,S,M4,L10,ZPC(WHT),	2	PC	SNA
6006-001174	SCREW-TAPPING	TH,+,WT,2S,M4,L12,ZPC(WHT)	14	PC	SNA
6009-001240	SCREW-SPECIAL	TH,+,M5,L13.5,ZPC(WHT),SWR	2	PC	SNA
6009-001343	SCREW-SPECIAL	PH,TORX,M4,L12,ZPC(WHT),SW	1	PC	SNA
6002-000239	SCREW-TAPPING	TH,+,NO,2S,M4,L8,ZPC(WHT),	8	PC	SNA
6002-000239	SCREW-TAPPING	TH,+,NO,2S,M4,L8,ZPC(WHT),	4	PC	SNA
6002-000239	SCREW-TAPPING	TH,+,NO,2S,M4,L8,ZPC(WHT),	3	PC	SNA
6002-000445	SCREW-TAPPING	TH,+,NO,2,M4,L18,PASS,STS4	2	PC	SNA
6002-001306	SCREW-TAPPING	TH,+,1,M4,L14,ZPC(WHT),SWR	4	PC	SNA
6002-000239	SCREW-TAPPING	TH,+,NO,2S,M4,L8,ZPC(WHT),	2	PC	SNA
6002-000239	SCREW-TAPPING	TH,+,NO,2S,M4,L8,ZPC(WHT),	1	PC	SNA
6001-000516	SCREW-MACHINE	PH,+,-,M3,L10,ZPC(WHT),SWR	3	PC	SNA
6002-000213	SCREW-TAPPING	TH,+,1,M4,L12,ZPC(WHT),SWR	1	PC	SNA
6002-001306	SCREW-TAPPING	TH,+,1,M4,L14,ZPC(WHT),SWR	5	PC	SNA
6002-000213	SCREW-TAPPING	TH,+,1,M4,L12,ZPC(WHT),SWR	3	PC	SNA
6002-000215	SCREW-TAPPING	TH,+,1,M4,L16,ZPC(WHT),SWR	8	PC	SNA
6002-001306	SCREW-TAPPING	TH,+,1,M4,L14,ZPC(WHT),SWR	13	PC	SNA
6003-001768	SCREW-TAPTYPE	TH,+,WT,S,M4,L10,ZPC(WHT),	1	PC	SNA