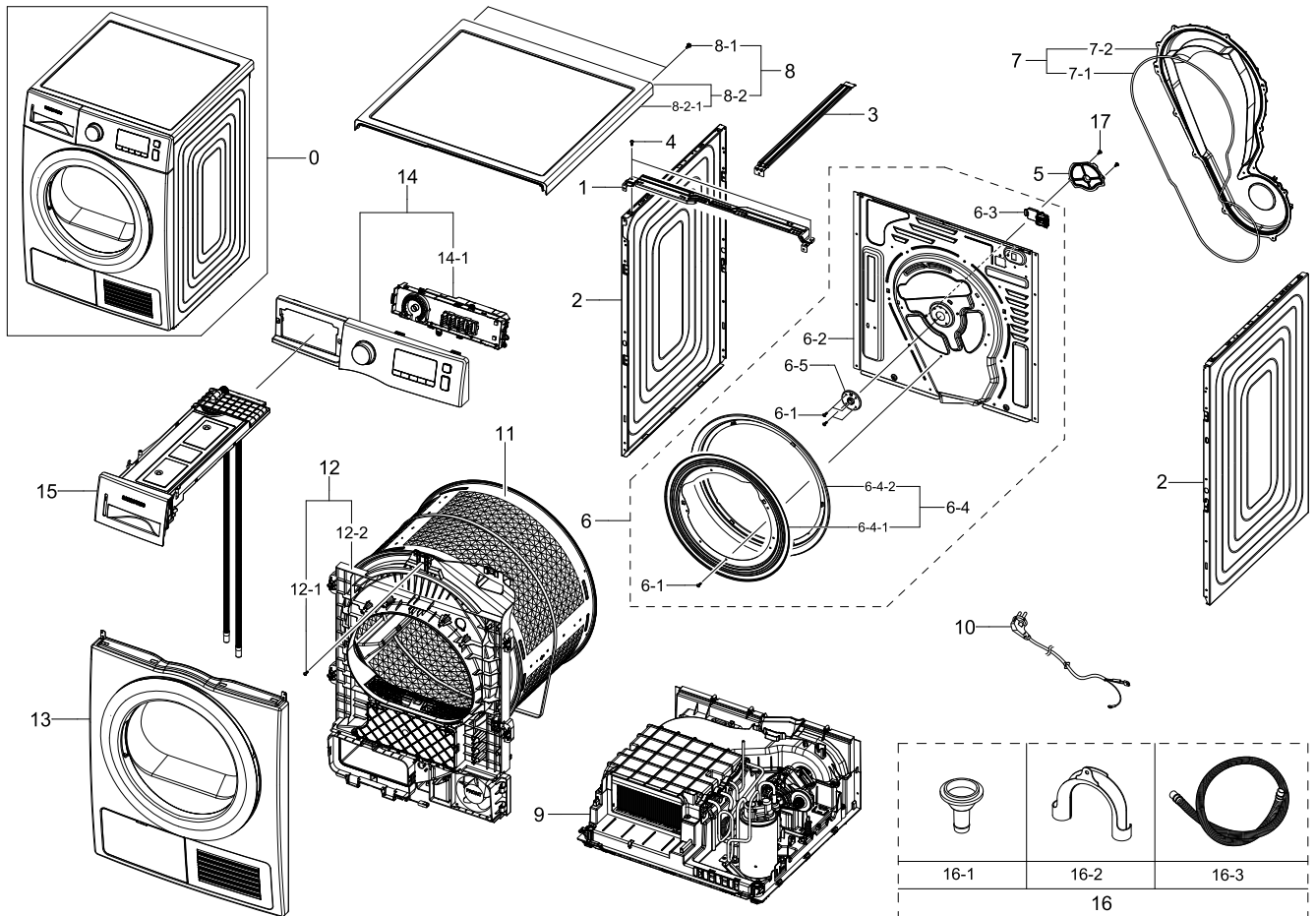


1. Main

Exploded View



Parts List

No.	Lvl.	Loc.	Material Code	Description & Specification	SNA	Qty.
1	2		DC61-03629A	FRAME PLATE-UP; DV90F5E6HGW,GI-SGCC,T1	SA	1
2	2		DC61-03638A	FRAME-SIDE; DV90F5E6HGW,EGI-SECC,-,DA WHI	SA	2
3	2		DC61-03639A	GUIDE WIRE; DV90F5E6HGW,GI-SGCC,T1	SA	1
4	2	WX0512	6009-001240	SCREW-SPECIAL; TH,+,M5,L13.5,ZPC(WHT),SWR	SA	2
5	2	WS0141	DC63-01263A	COVER BEARING; SDC18809,EGI-SECC,T0.8,W10	SA	1
6	2		DC97-19980C	ASSY FRAME-REAR; DV8/6/5000M,DV90M5000QW/	SA	1
6-1	3	WX0419	6002-000239	SCREW-TAPPING; TH,+,NO,2S,M4,L8,ZPC(WHT),	SA	8
6-2	3		DC61-03637B	FRAME-REAR; DV80M8215AW,GI-SGCC,T0.7	SA	1
6-3	3		DC63-01964A	COVER CONNECTOR; PP,T2.5,HB,NATURAL,HASS	SA	1

Exploded Views and Parts List

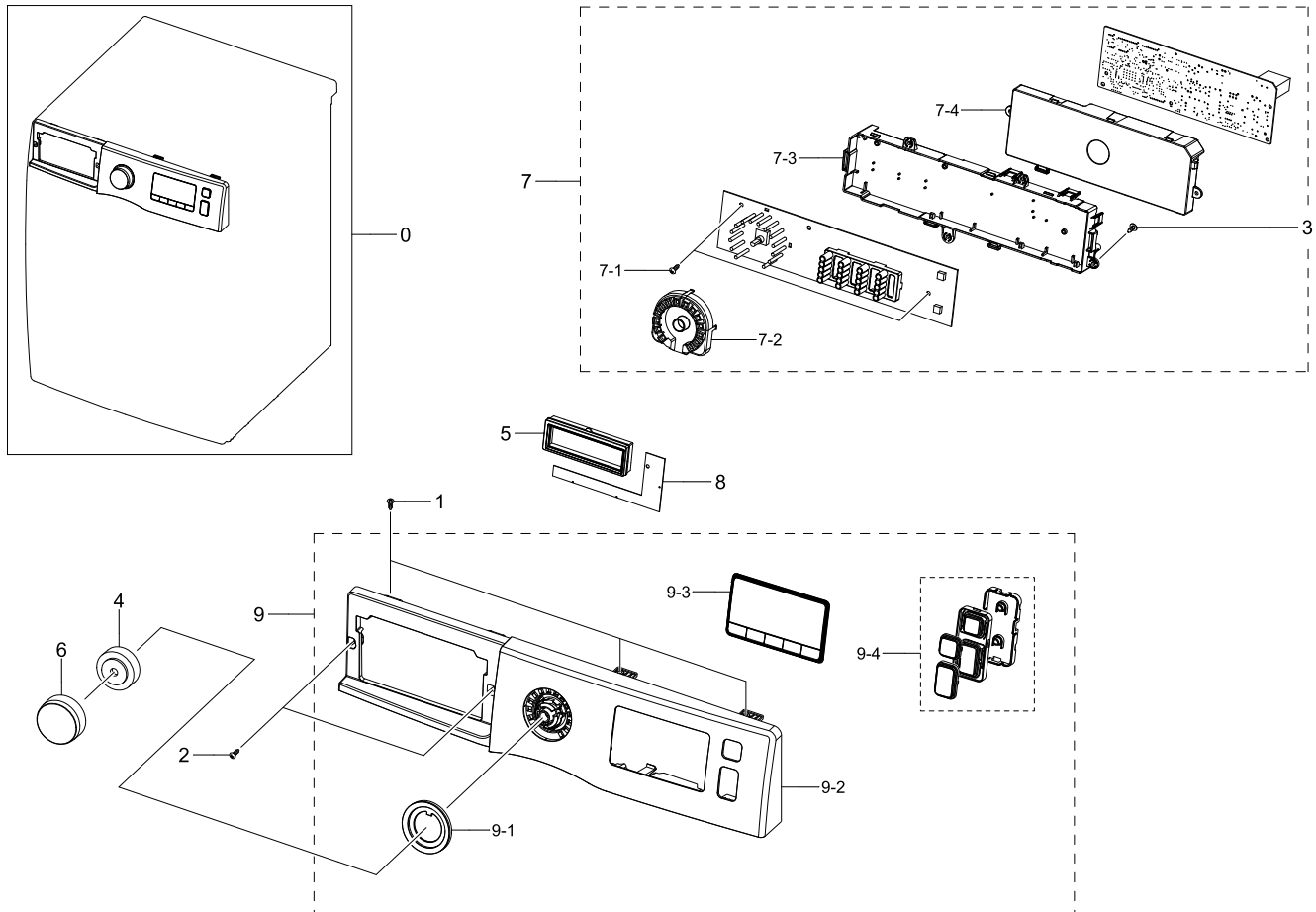
No.	Lvl.	Loc.	Material Code	Description & Specification	SNA	Qty.
6-4	3	WJ0091	DC93-00072A	ASSY GASKET FELT; GE24-DRYER,DCVH480EK,-,	SA	1
6-4-1	4	WJ0093	DC61-02263A	BRACKET GASKET FELT; DCVH480EK0WW,STS430,	SA	1
6-4-2	4	WJ0110	DC93-00093A	ASSY GASKET FELT SUB; GE24-DRYER,DCVH480E	SA	1
6-5	3	WS0009	DC97-16288A	ASSY HOUSING BEARING; D100-PJT,SDC18809(O	SA	1
7	2	WY0097	DC93-00658B	ASSY COVER DUCT; DV8000M,DV80M8214AW,PP+P	SA	1
7-1	3		DC62-00377C	SEAL DUCT; DV90F5E6HGW,EPDM,BLACK,-,L1840	SA	1
7-2	3		DC63-02060A	COVER DUCT FAN; DV80M8215AW/EG,PP,HB,DARK	SA	1
8	1	WF0003	DC90-13380A	ASSY COVER TOP; DV-F500E 9KG	SNA	1
8-1	2	WX0490	6002-001431	SCREW-TAPPING; HEX,+,2,M5,L16,ZPC(WHT),SW	SA	2
8-2	2	WF0003	DC97-17446A	ASSY COVER TOP; DV-F500E,DV90F5E6HGW,DA-W	SA	1
8-2-1	3		DC63-01606A	COVER TOP; DV90F5E6HGW,ABS,T3.5,-,DA WHIT	SA	1
9	1		DC90-00021W	ASSY BASE PARTS; DV5000M,DV90M5000QW/EU	SNA	1
10	2	WE0054	DC96-00146H	CBF-POWER CORD; AT,EUROPE,EU3F,Gray,1500,	SA	1
11	1	WG0004	DC90-13381A	ASSY DRUM; DV-F500E 9KG	SNA	1
12	1		DC90-00021T	ASSY INNER PARTS; DV6000M,DV90M6200CW/EN	SNA	1
12-1	2	S0025	6006-001174	SCREW-TAPPING; TH,+,WT,2S,M4,L12,ZPC(WHT)	SA	1
12-2	2		DC97-19978B	ASSY DRUM FRONT; DV6/5000M,PP FC2305,HEAT	SA	1
13	1		DC90-24306C	ASSY FRONT PARTS; DV5000M,DV90M5000QW/EU	SNA	1
14	1		DC90-00024F	ASSY PANEL CONTROL PARTS; DV5000M,DV80M50	SNA	1
14-1	2		DC92-02028B	ASSY KIT; FCD_AC,DV5000M,AC MOTOR, 8KG	SA	1
15	1		DC90-24366A	ASSY DRAWER PARTS; DV5000M,DV90M5000QW/EU	SNA	1
16	2	WA0002	DC98-01730A	ASSY ACCESSORY; DV-F500E,DV90F5E6HGW	SNA	1
16-1	3		DC61-02479A	GUIDE HOSE; SDC18809,PP,T1.5,L34.5,NTR,D1	SA	1
16-2	3	WH5379	DC62-10278A	HOSE HANGER; PUMP MODEL,PP,BLACK	SA	1

No.	Lvl.	Loc.	Material Code	Description & Specification	SNA	Qty.
16-3	3	WH0023	DC97-15757C	ASSY HOSE DRAIN; D100,SDC18809,L1998,ID9.	SA	1
17	2	WX0419	6002-000239	SCREW-TAPPING; TH,+,NO,2S,M4,L8,ZPC(WHT),	SA	3

No.	Lvl.	Loc.	Material Code	Description & Specification	SNA	Qty.
2-4	3	WP0101	DC61-02283A	BRACKET HINGE; DCVH480EK0WW,HGI-SGHC,T2,G	SA	2
2-5	3		DC61-03640A	FRAME FRONT; DV-F500E,EGI-SECD,-,DA WHITE	SA	1
2-6	3	WD0003	DC97-17483E	ASSY DOOR; DV5000M,DV90M5000QW	SA	1
2-6-1	4	WX0616	6002-000215	SCREW-TAPPING; TH,+,NO,1,M4,L16,ZPC(WHT),	SA	6
2-6-2	4	WX0427	6002-000445	SCREW-TAPPING; TH,+,NO,2,M4,L18,PASS,STS4	SA	8
2-6-3	4	WD0090	DC61-00891A	GUIDE HINGE; HAUZEN(DOM),POM,NTR(WHT),HIN	SA	4
2-6-4	4	WD0134	DC61-02462A	SUPPORT HINGE; SDC18809,GI-SGCC,T1.4,-,-,	SA	1
2-6-5	4		DC61-03665B	HINGE DOOR; DV80H4100CW,ALDC,T4	SA	1
2-6-6	4		DC61-03670B	GUIDE HOLDER GLASS; DV90M5000QW,PP,HB,FC2	SA	1
2-6-7	4	WD0104	DC61-03671B	HOLDER GLASS; DV90M5000QW,PP,VERSAILLES G	SA	1
2-6-8	4	WD0104	DC61-03672B	HOLDER GLASS; DV90M5000QW,PP,VERSAILLES G	SA	1
2-6-9	4		DC62-00271B	SEAL AIR; DV90F5E6HGW,TPE,-,-,XR-1045,GRA	SA	1
2-6-10	4		DC64-02962A	DOOR GLASS; DV90F5E6HGW,GLASS,T3.2,-,CLEA	SA	1
2-6-11	4		DC63-01616B	COVER DOOR; DV90M5000QW,ABS,HB,Deep Gentl	SA	1
2-6-12	4		DC63-01627A	COVER HOLDER; DV80F5E5HGW,PMMA,T2.5,NATUR	SA	1
2-6-13	4		DC63-01628D	COVER DOOR; DV80F5EMHGW/EE,ABS+PMMA,T1.8,	SA	1
2-6-14	4		DC62-00270B	SEAL DOOR; DV90F5E6HGW,TPE,-,-,XR-1045,GR	SA	1
2-6-15	4	WD0114	DC66-00643A	LEVER DOOR; DV-F500E,ZNDC,PLATING NI	SA	1
2-7	3	WX0407	6001-001773	SCREW-MACHINE; TH,+,-,M5,L12,PASS,STS430,	SA	2
3	2		DC63-02078A	COVER CONDENSER; DV6000M,ABS,HB,DA WHITE	SA	1

3. Assy Panel Control Parts

Exploded View



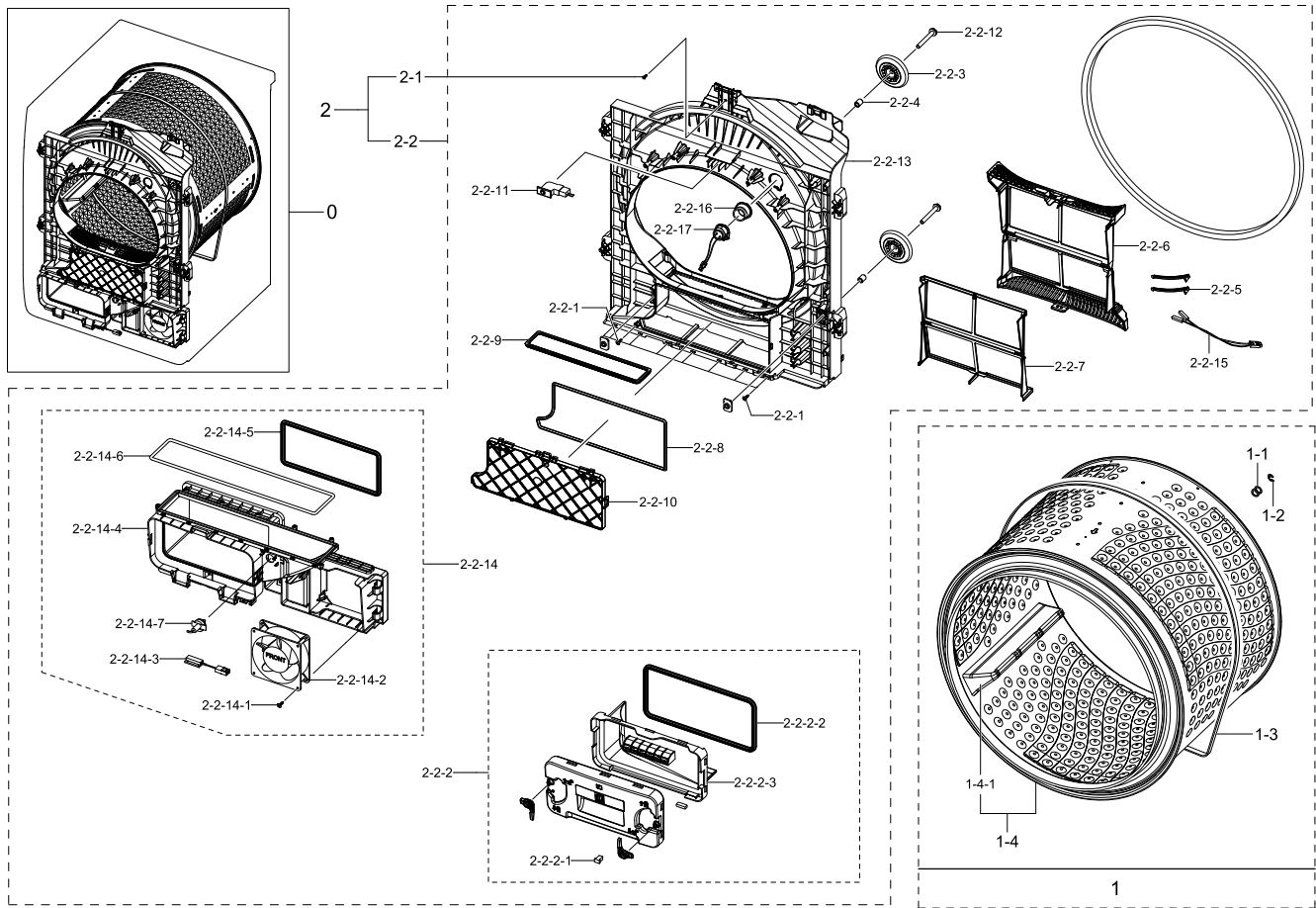
Parts List

No.	Lvl.	Loc.	Material Code	Description & Specification	SNA	Qty.
0	1		DC90-00024F	ASSY PANEL CONTROL PARTS; DV5000M,DV80M50	SNA	1
1	2	WX0419	6002-000239	SCREW-TAPPING; TH,+,NO,2S,M4,L8,ZPC(WHT),	SA	3
2	2	WX0427	6002-000445	SCREW-TAPPING; TH,+,NO,2,M4,L18,PASS,STS4	SA	2
3	2	WX0622	6002-001306	SCREW-TAPPING; TH,+,1,M4,L14,ZPC(WHT),SWR	SA	3
4	2		DC62-00404A	SEAL RUBBER; DV90F5E6HGW,EPDM,BLACK,-,DV-	SA	1
5	2		DC62-00403A	SEAL RUBBER; EPDM,BLACK,-,BETTER	SA	1
6	2		DC64-03312B	KNOB ENCODER; F500E,ABS+PMMA,BK0018, TP00	SA	1
7	2		DC92-02028B	ASSY KIT; FCD_AC,DV5000M,AC MOTOR, 8KG	SA	1

No.	Lvl.	Loc.	Material Code	Description & Specification	SNA	Qty.
7-1	3	WX0419	6002-000239	SCREW-TAPPING; TH,+,NO,2S,M4,L8,ZPC(WHT),	SA	2
7-2	3	WP0088	DC61-03098A	BRACKET-ENCODER; ARNO,HIPS,T1.5,W75.8,L78	SA	1
7-3	3		DC63-02064A	COVER PCB-SUB; DV80M8215AW/EG,HIPS,V-0,NA	SA	1
7-4	3		DC63-02065A	COVER PCB-MAIN; DV80M8215AW/EG,HIPS,V-0,N	SA	1
8	2		DC93-00540A	ASSY SENSOR; F500 IML BEST,5V,7-BUTTON,TO	SA	1
9	2	WC0016	DC97-20164Y	ASSY PANEL CONTROL; DV5000M,DA WHITE,SPN	SA	1
9-1	3		DC64-02856B	WINDOW ENCODER; ABS+PMMA,HB,TF-0930,GRAY	SA	1
9-2	3		DC64-02955A	PANEL CONTROL; DV90D5E5HGW,ABS,-,HG-0760G	SA	1
9-3	3		DC64-03598M	WINDOW PANEL; DV5000M,PMMA,HB,FT6120,CLEA	SNA	1
9-4	3	WC0001	DC97-17392A	ASSY BUTTON; WF80F50FU4W/EF	SA	1

4. Assy Drum&Assy Inner Parts

Exploded View



Parts List

No.	Lvl.	Loc.	Material Code	Description & Specification	SNA	Qty.
1	1	WG0004	DC90-13381A	ASSY DRUM; DV-F500E 9KG	SNA	1
1-1	2	WJ0083	6031-002038	WASHER-PLAIN; NYLON,ID12,OD17,T1.0,NTR	SA	2
1-2	2	WX0623	6044-001784	RING-C; ID11.1,STW-12,T1.0,BLK,STC5	SA	1
1-3	2	WS0060	6602-002024	BELT-TIMING GEAR; 7PH1970,RUBBER,T2.7,L19	SA	1
1-4	2	WG0007	DC97-17465A	ASSY DRUM WRAPPER; DV90F5E6HGW	SA	1
1-4-1	3	WG0055	DC66-00541A	DRUM LIFTER; GE24-DRYER,PP,T3.0,FC2210,GR	SA	3
2	1		DC90-00021T	ASSY INNER PARTS; DV6000M,DV90M6200CW/EN	SNA	1
2-1	2	S0025	6002-000520	SCREW-TAPPING; TH,+,WT,2S,M4,L12,ZPC(WHT)	SA	1
2-2	2		DC97-19978B	ASSY DRUM FRONT; DV6/5000M,PP FC2305,HEAT	SA	1

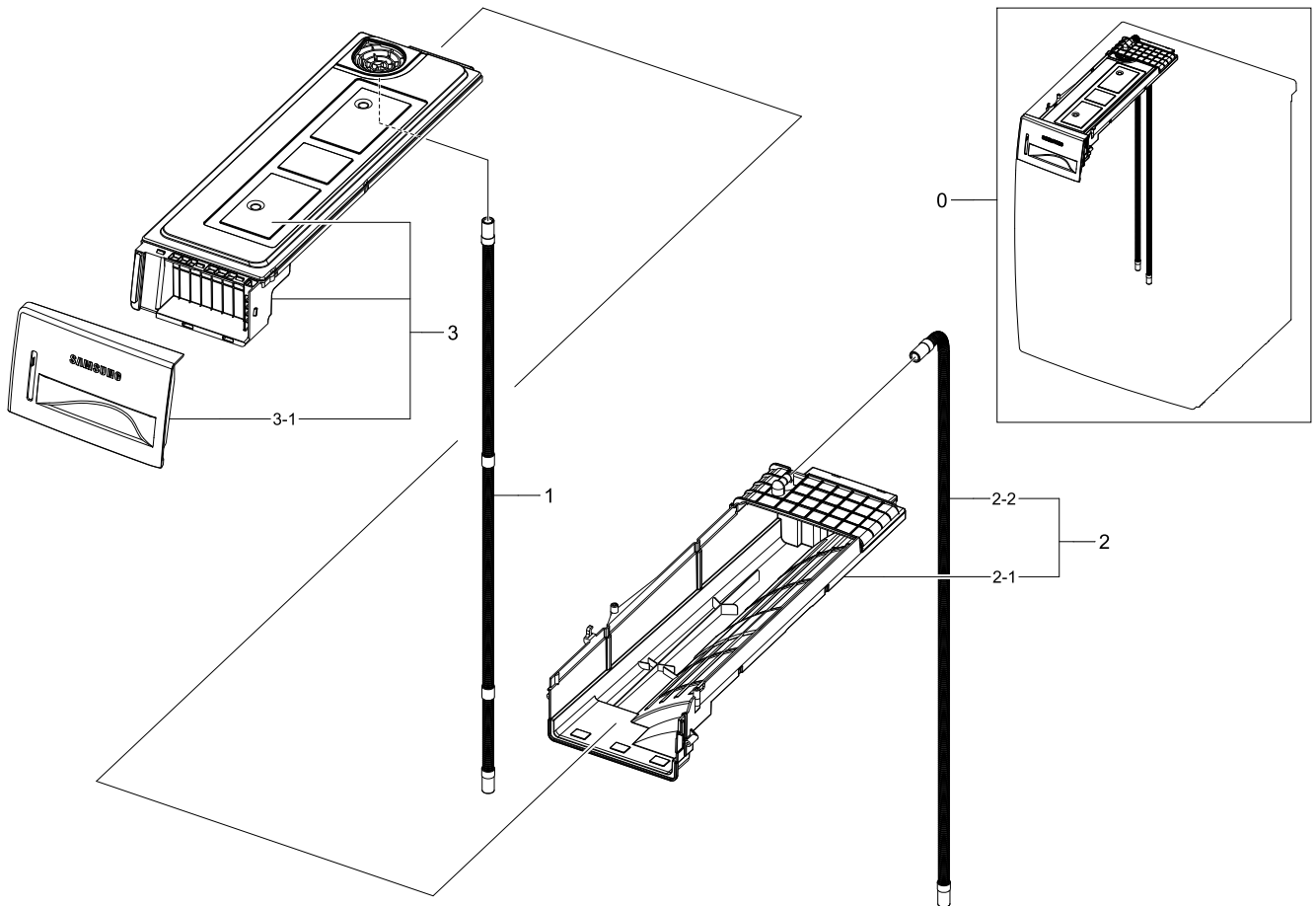
No.	Lvl.	Loc.	Material Code	Description & Specification	SNA	Qty.
2-2-1	3	WX0622	6002-001306	SCREW-TAPPING; TH,+,1,M4,L14,ZPC(WHT),SWR	SA	8
2-2-2	3	WI0026	DC97-19977A	ASSY FILTER GUIDE; DV8000M,DV80M8215AW/EG	SA	1
2-2-2-1	4	WD0107	DA66-01072A	LATCH; LATOUR,POM,BLACK,DC LATCH	SA	1
2-2-2-2	4		DC62-00280B	SEAL CONDENSER; DV-F500E,TPE,KT GRAY,-,L6	SA	1
2-2-2-3	4		DC63-02067A	FILTER GUIDE; DV80M8215AW/EG,PP,NATURAL	SNA	1
2-2-3	3	WS0021	DC97-15768A	ASSY ROLLER; D100-PJT,SDC18809	SA	2
2-2-4	3	WS0063	DC61-02485A	BUSH BEARING; SDC18809,SWRCH10A,ID8,OD12,	SA	2
2-2-5	3		DC61-04406A	PLATE SENSOR; DV80M8215AW/EG,STS430,T0.8	SNA	2
2-2-6	3		DC61-04407A	CASE FILTER; DV80M8215AW/EG,PP,DARK HOLDE	SA	1
2-2-7	3		DC61-04409A	CASE FILTER; DV80M8215AW/EG,PP,DARK HOLDE	SA	1
2-2-8	3		DC62-00377A	SEAL DUCT; DV90F5E6HGW,EPDM,BLACK,-	SA	1
2-2-9	3		DC62-00503A	SEAL PACKING; DV80M8215AW/EG,EPDM,DARK HO	SA	1
2-2-10	3		DC63-01604A	COVER DUCT-F; DV90F5E6HGW,PP,T2.5,DARK HO	SNA	1
2-2-11	3	WE0068	DC64-00828D	SWITCH DOOR; AC125V/250V,7.5/5,OP0.8mm	SA	1
2-2-12	3	WF0126	DC66-00572A	SHAFT ROLLER; SDC18809,SWRCH10A,L61,OD8,Z	SA	2
2-2-13	3		DC66-00923A	DRUM FRONT-R; DV80M8215AW/EG,PP,HB,DARK H	SA	1
2-2-14	3	WY0012	DC93-00700A	ASSY DUCT FRONT; DV8000M,DV80M8215AW,PP(F	SA	1
2-2-14-1	4	WX0622	6002-001306	SCREW-TAPPING; TH,+,1,M4,L14,ZPC(WHT),SWR	SA	1
2-2-14-2	4	WS0093	DC31-00177A	MOTOR FAN; F1238S12B,0.29A,3.5W,2000,DC 1	SA	1
2-2-14-3	4	WE0134	DC34-00001G	SWITCH REED; 14~30,370mm,25.40.5mm,14mm	SA	1
2-2-14-4	4		DC61-04413A	GUIDE AIR FLOW; DV80M8215AW/EG,PP,HB,FC23	SA	1
2-2-14-5	4		DC62-00280C	SEAL CONDENSER; DV-F500E,TPE,KT GRAY,-,L7	SA	1
2-2-14-6	4		DC62-00377D	SEAL DUCT; DV80M8214AW,EPDM,BLACK,L850	SNA	1
2-2-14-7	4	WE5048	DC90-10128G	ASSY THERMISTOR; DRYER,5V,-20~125??120m	SA	1
2-2-15	3	WW5193	DC96-00766A	ASSY WIRE HARNESS-TOUCH; DRYER-L,-,SUB/TO	SA	1

Exploded Views and Parts List

No.	Lvl.	Loc.	Material Code	Description & Specification	SNA	Qty.
2-2-16	3	WI0349	DC61-02457A	FIXER LAMP; D100-DRYER,EPDM,GRAY	SA	1
2-2-17	3	WE0174	DC47-00027A	ASSY LAMP LED; 2ea,FR-1,14*12,WHITE,AMP 1	SA	1

5. Assy Drawer

Exploded View

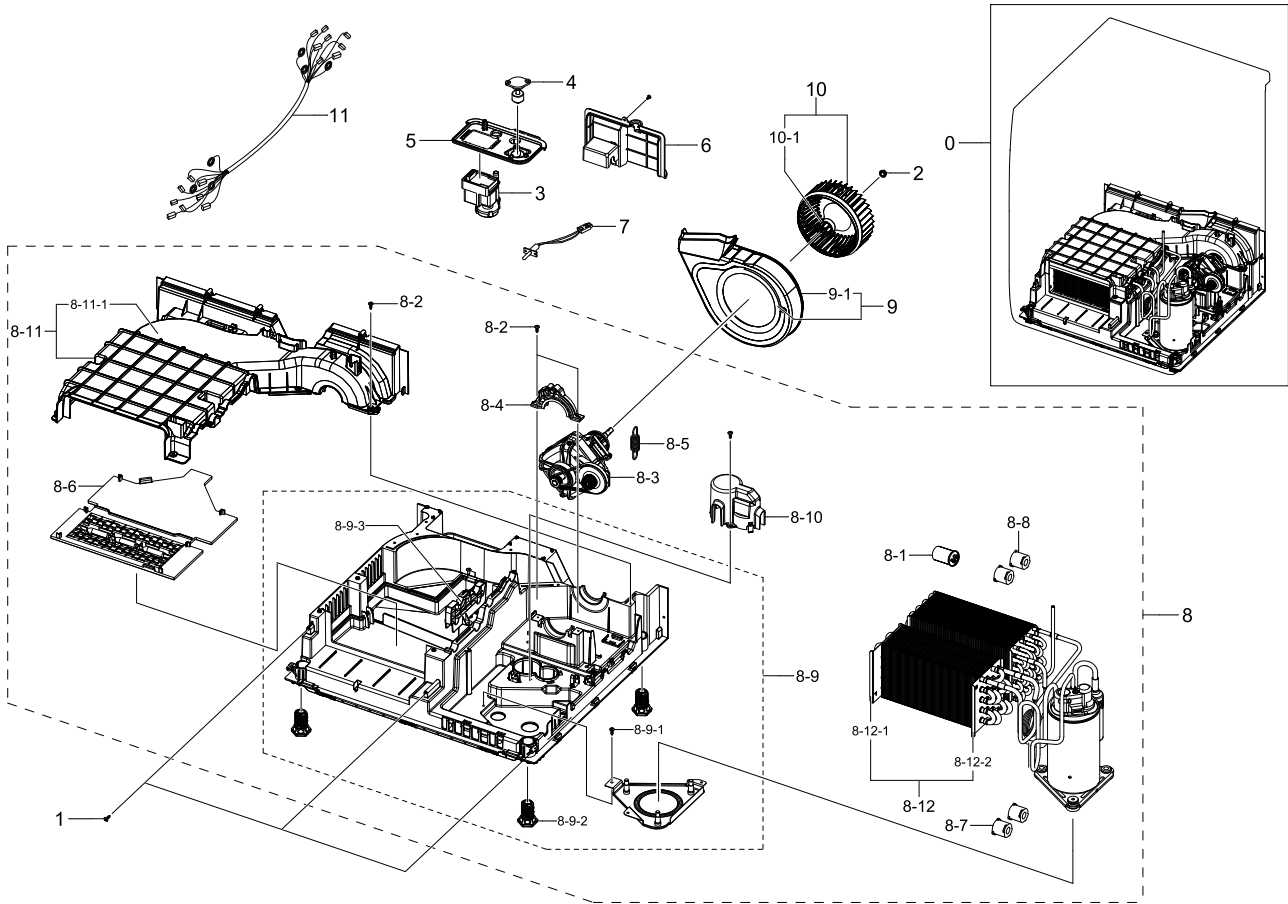


Parts List

No.	Lvl.	Loc.	Material Code	Description & Specification	SNA	Qty.
0	1		DC90-24366A	ASSY DRAWER PARTS; DV5000M,DV90M5000QW/EU	SNA	1
1	2	WH0023	DC97-15757F	ASSY HOSE DRAIN; DV-F500E,DV90D5E5HGW,GRA	SA	1
2	2	WR0008	DC97-17451A	ASSY HOUSING DRAWER; DV-F500E,DV90F5E6HGW	SA	1
2-1	3		DC61-03647A	HOUSING DRAWER; DV90D5E5HGW,PP,T2.5,NATUR	SA	1
2-2	3	WH0023	DC97-15757E	ASSY HOSE DRAIN; DV-F500E,DV90D5E5HGW,GRA	SA	1
3	2	WR0005	DC97-20183B	ASSY DRAWER; DV5000M,DV90M5000QW/EU	SA	1
3-1	3	WC0120	DC64-02950A	PANEL DRAWER; DV90D5E5HGW,ABS,-,HG-0760GP	SA	1

6. Assy Base

Exploded View



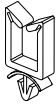






Parts List

No.	Lvl.	Loc.	Material Code	Description & Specification	SNA	Qty.
0	1		DC90-00021W	ASSY BASE PARTS; DV5000M,DV90M5000QW/EU	SNA	1
1	2	WX0622	6002-000520	SCREW-TAPPING; TH,+,1,M4,L14,ZPC(WHT),SWR	SA	3
2	2	WX0618	6021-001321	NUT-INCH; RIGHT TURN,3/8"-24,ZPC(BLK),SWC	SA	1
3	2	WU5017	DC31-00105A	PUMP-DRAIN; B13-6AA01120,220V-240V,50Hz,4	SA	1
4	2	WE0176	DC34-00010A	SWITCH FLOAT; 500.5mm,1.5,50mm,MG624537	SA	1
5	2		DC61-03643A	HOLDER PUMP MOTOR; DV-F500E,PP,T2.5,NATUR	SA	1
6	2		DC63-01609A	COVER PUMP; DV-F500E,PP,T2.5,NATURAL,MU30	SA	1
7	2	WE5048	DC90-10128G	ASSY THERMISTOR; DRYER,5V,-20~125??120m	SA	1

No.	Lvl.	Loc.	Material Code	Description & Specification	SNA	Qty.
8	2		DC90-24049B	ASSY CIRCULATION SYSTEM PARTS; DV5000M,DV	SA	1
8-1	3	WX0187	2501-001233	C-OIL; 15,-25to+80,450V,5,50x65,#250,PP	SA	1
8-2	3	WX0622	6002-001306	SCREW-TAPPING; TH,+,-,1,M4,L14,ZPC(WHT),SWR	SA	13
8-3	3		DC31-00106C	MOTOR AC DRIVE; DV-F500E,2Pole,220/240V,5	SA	1
8-4	3	WS0139	DC61-02467A	SUPPORT-MOTOR(U); D100-PJT,PP,T3.0	SA	1
8-5	3	WP0015	DC61-02487A	SPRING ETC TENSION; SDC18809,HSWR-SWRH,CD	SA	1
8-6	3		DC63-01602A	COVER BASE; DV-F500E,PP,T2.5,GRAY	SA	1
8-7	3		DC63-01644A	ABSORBER SOUND; DV90F5E6HGW,EPDM,OD20.5,-	SA	2
8-8	3		DC63-01645A	ABSORBER SOUND; DV90F5E6HGW,EPDM,OD20.5,-	SA	2
8-9	3	WB0004	DC97-20213A	ASSY BOTTOM; DV8000M,DV80M8214AW	SNA	1
8-9-1	4	WX0441	6002-000520	SCREW-TAPPING; TH,+,-,2,M4,L12,ZPC(WHT),S	SA	4
8-9-2	4		DC61-02447B	LEG; D100 DRYER,FRPP,NTR	SA	4
8-9-3	4		DC63-02061A	COVER CONNECTOR; DV80M8215AW/EG,PP,HB,NAT	SA	1
8-10	3		DC61-03633A	HOLDER CONDENSER; DV-F500E,PP,T2.5,NATURA	SA	1
8-11	3		DC93-00661A	ASSY COVER CONDENSER; DV8000M,DV80M8215AW	SA	1
8-11-1	4		DC63-02062A	COVER CONDENSER-U; DV80M8215AW/EG,PP,HB,N	SA	1
8-12	3	WY0003	DC93-00662A	ASSY CONDENSER; DV8000M,DV80M8215AW,AL	SNA	1
8-12-1	4		DC61-04410A	BRACKET EVAP-LEFT; DV80M8215AW/EG,GI-SGCC	SNA	1
8-12-2	4		DC61-04411A	BRACKET EVAP-RIGHT; DV80M8215AW/EG,GI-SGC	SNA	1
9	2		DC93-00660A	ASSY GUIDE DUCT FAN; DV8000M,DV80M8215AW/	SA	1
9-1	3		DC61-04412A	GUIDE DUCT FAN; DV80M8215AW/EG,PP,HB,PTN9	SA	1
10	2	WY0022	DC93-00659A	ASSY FAN DRY; DV8000M,DV80M8215AW/EG,FRPP	SA	1
10-1	3		DC66-00922A	BLADE-BLOWER; DV80M8215AW/EG,PP+GF,NATURA	SNA	1
11	2		DC93-00682A	ASSY WIRE HARNESS-MAIN; DRYER-M,DV5000M,F	SA	1

7. Small Parts

Exploded View

						
1	2	3	4	5	6	7

Parts List

No.	Lvl.	Loc.	Material Code	Description & Specification	SNA	Qty.
1	3	WI0294	DC61-00553B	CABLE CLAMP; DAWS-3NE,PA66,NTR	SA	1
2	2		6502-000127	CABLE CLAMP; DAWH-18NB,PA66,NTR	SNA	2
3	3	WJ5055	DC65-00026A	CLAMPER HOSE-FIX; SDC18809,PP,BJ350,NTR	SA	1
4	3	WI0293	DC61-40081A	HOLDER WIRE; DAWH-2NC,PA66,-,NATURAL,-	SA	1
5	3	WI0326	6046-000310	STAND OFF; NTR,PA66,DAWH-3NA	SA	2
6	3	WI0295	DC61-60074A	HOLDER WIRE; PA,-,NATURAL,-,101F,rectangl	SA	1
7	4	WI0326	6046-000310	STAND OFF; NTR,PA66,DAWH-3NA	SA	1