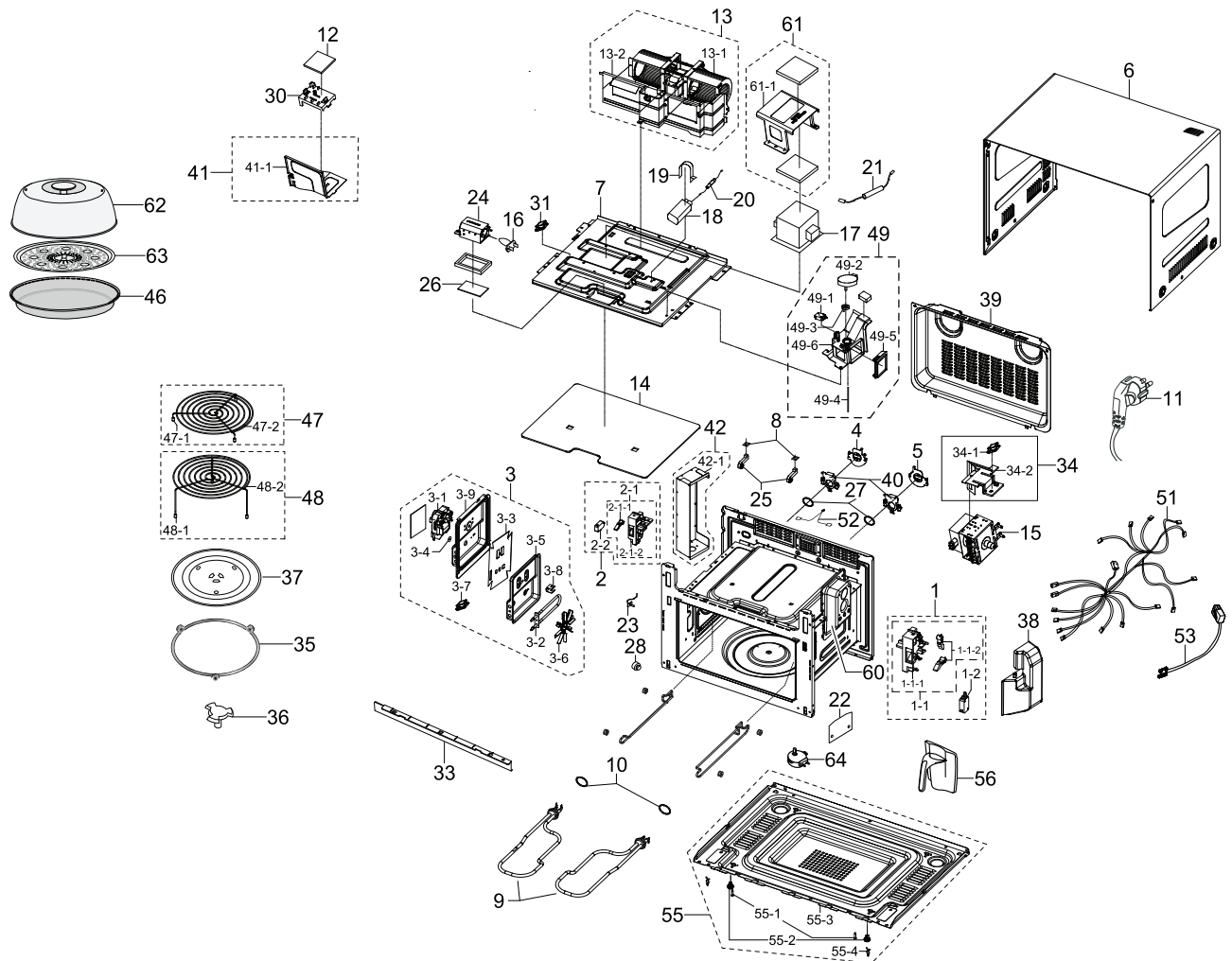


1. Main

Exploded View



Parts List

No.	Parent	Lvl.	Loc.	Material Code	Description & Specification	SNA	Qty.
1	CP1370EST/XEN	1	B022	DE94-02203A	ASSY BODY LATCH-R; TRIO PLUS,NYLON#66 GF1	SA	1
1-1	DE94-02203A	2	B061	DE94-02202A	ASSY BODY LATCH SUB-R; TRIO PLUS,NYLON#66	SA	1
1-1-1	DE94-02202A	3	B062	DE61-01227A	BODY-LATCH R; TRIO PLUS,PA,TURN TABLE TYP	SA	1
1-1-2	DE94-02202A	3	B058	DE66-00224A	LEVER-SWITCH R; TRIO PLUS,PA,NON-FLAMMABL	SA	2
1-2	DE94-02203A	2	B046	3405-001032	SWITCH-MICRO; 125/250VAC,16A,200GF,SPDT	SA	1
2	CP1370EST/XEN	1	B023	DE94-02200A	ASSY BODY LATCH-L; TRIO PLUS,NYLON#66 GF1	SA	1
2-1	DE94-02200A	2	B025	DE94-02201A	ASSY BODY LATCH SUB-L; TRIO PLUS,NYLON#66	SA	1

Exploded Views and Parts List

No.	Parent	Lvl.	Loc.	Material Code	Description & Specification	SNA	Qty.
2-1-1	DE94-02201A	3	B013	DE66-00223A	LEVER-SWITCH L; TRIO PLUS,PA,NON-FLAMMABL	SA	2
2-1-2	DE94-02201A	3	B045	DE61-01226A	BODY-LATCH L; TRIO PLUS,PA,TURN TABLE TYP	SA	1
2-2	DE97-00715A	2	B048	3405-001034	SWITCH-MICRO; 125/250VAC,16A,200gf,SPST-N	SA	1
3	CP1370EST/XEN	1	H067	DE94-02210A	ASSY CASING; CP1370 / CPS1390,TRIO PLUS L	SA	1
3-1	DE94-02210A	2	H001	DE31-00062A	MOTOR CONVECTION; SMC-M159E,220/230V-60/5	SA	1
3-2	DE94-02210A	2	H003	DE47-00049A	HEATER-CONVECTION; SHC-E135A,CP135S,420W,	SA	1
3-3	DE94-02210A	2	H006	DE62-00090A	ADIABATIC-CASING; TRIO PLUS,F/GLASS,T3.0,	SA	1
3-4	DE94-02210A	2	H008	6031-001544	WASHER-PLAIN; SECC,ID4,OD16,T1,ZNC3,ID3	SA	1
3-5	DE94-02210A	2	H014	DE61-01224A	BRACKET-CASING; TRIO PLUS,ALSTAR,T0.5,W22	SA	1
3-6	DE94-02210A	2	M090	DE67-00226A	FAN-CONVECTION; AURORA,ALSTAR,T0.6,W125,L	SA	1
3-7	DE94-02210A	2	M436	DE47-20009A	THERMOSTAT; NT-101,250V 10A/125V 15A,150(SA	1
3-8	DE94-02210A	2	M446	DE61-01221A	SUPPORT-HEATER FIXER; TRIO-PLUS,STS304,T0	SA	1
3-9	DE94-02210A	2	H015	DE63-00625A	COVER-CASING; TRIO PLUS,SECC,T0.6,TURN-TA	SA	1
4	CP1370EST/XEN	1	H091	DE61-00973A	STOPPER-GRILL HEATER(L); AURORA,SECC,T0.8	SNA	1
5	CP1370EST/XEN	1	H092	DE61-00974A	STOPPER-GRILL HEATER(R); AURORA,SECC,T0.8	SNA	1
6	CP1370EST/XEN	1	M001	DE64-02317B	PANEL-OUTER; CP1395EST,EGI-SECC,T0.5,W520	SNA	1
7	DE94-01839B	3	M003	DE61-00964A	BRACKET-UPPER; AURORA,SECC,T0.8,W480,L400	SNA	1
8	CP1370EST/XEN	1	M005	DE61-70060A	SPRING-PLATE; -,SK-5,T0.5,-,-,-,-,-,-,-	SA	2
9	CP1370EST/XEN	1	M007	DE47-00045D	HEATER-GRILL; SHG-E365B,CP1370,750W,230V,	SA	2
10	CP1370EST/XEN	1	M008	DE63-20017A	GASKET-HEATER; -,BRASS,T1.5,OD30.5,ID22.5	SA	2
11	CP1370EST/XEN	1	M015	DE96-00385A	ASSY POWER CORD; CEE,Straight,250V/16A,H0	SA	1
12	DE94-01660C	2	M017	DE96-00399F	ASSY NOISE FILTER; AURORA STEAM,SN-UF11F,	SA	1
13	CP1370EST/XEN	1	M024	DE90-00938A	ASSY MOTOR-VENTILATION; -,220V,-,AURORA	SA	1
13-1	DE90-00938A	2	M302	DE31-00051A	MOTOR BLOWER; SMB-E365A,230V/50Hz,2300RPM	SA	1

No.	Parent	Lvl.	Loc.	Material Code	Description & Specification	SNA	Qty.
13-2	DE90-00938A	2	P168	DE94-01838A	ASSY BRACKET-VENT(A); HS-C364AB,-,-,AUROR	SA	1
14	CP1370EST/XEN	1	M028	DE62-00063A	ADIABATIC-UPPER; AURORA PROJECT,F/GLASS,3	SA	1
15	CP1370EST/XEN	1	M035	OM75P(20)MTMN	ASSY-MGT; ASSY-MGT		1
16	DE93-00001D	2	M036	4713-001046	LAMP-INCANDESCENT; 240V,104mA,25W,ORG,25x	SA	1
17	CP1370EST/XEN	1	M038	DE26-00149A	TRANS H.V; SHV-E10A,230V,50Hz,2435V/3.30V	SA	1
18	DE93-00001D	2	M039	2501-001015	C-OIL; 1.0uF,2100V,BK,35X54X80,20mm	SA	1
19	DE93-00001D	2	M040	DE61-00139A	BRACKET-HVC; NC2000,SECC,T0.8,-,-,0.6/0	SA	1
20	DE93-00001D	2	M041	DE59-00002A	DIODE-H.V; MWO ALL,2CL4512H,-,450mA 13KV,	SA	1
21	DE93-00001D	2	M042	DE91-70061B	ASSY H.V.FUSE; -,THV060T-0750-H,5KV/0.75A	SA	1
22	CP1370EST/XEN	1	M051	DE63-00623A	COVER-CEILING; ATAG BI MWO,MICA SHEET,T=0	SA	1
23	CP1370EST/XEN	1	M054	DE32-10013A	SENSOR THERMISTOR; PTM-K312-K2,1Kohm,-,-2	SA	1
24	DE93-00001D	2	M086	DE63-00460A	COVER-LAMP; AURORA,STS430,T0.4,W42.4,L34.	SA	1
25	CP1370EST/XEN	1	M113	DE61-01030A	SUPPORT-HEATER; AURORA,ALUMINA,T12,-,-,IV	SA	2
26	DE93-00001D	2	M163	DE64-01917A	GLASS-LAMP; AURORA PROJECT,GLASS,T=2.0,CL	SA	1
27	CP1370EST/XEN	1	M174	DE63-00132A	GASKET-TEFLON; PG81/PG83,TEFLON,T1.5,PI28	SNA	2
28	CP1370EST/XEN	1	M187	DE61-00603A	STOPPER; CE1100,Alumina,-,-,-,1.1Aqua C	SA	1
30	DE94-01660C	2	M264	DE61-01003A	HOLDER-NOISE FILTER; AURORA,PP,BLACK,TB53	SA	1
31	DE94-01839B	3	M438	DE47-20005A	THERMOSTAT; -,NT-101,250V 10A/125V 15A,-,	SA	1
33	CP1370EST/XEN	1	P059	DE63-00481A	COVER-FRONT; AURORA PROJECT,PP TB53,-,-,-	SA	1
34	CP1370EST/XEN	1	P166	DE97-00736A	ASSY GUIDE AIR-MGT; AURORA PROJECT,-,1.3	SA	1
34-1	DE97-00736A	2	M447	DE47-20010A	THERMOSTAT; -,NT-101,250V 10A/125V 15A,-,	SA	1
34-2	DE97-00736A	2	P274	DE61-01014A	GUIDE AIR-MGT; AURORA PROJECT,SECC,T0.5,-	SA	1
35	DE98-01027E	2	T159	DE97-00222A	ASSY GUIDE ROLLER; NC-1.2CUFT,SPS(C832),0	SA	1
36	CP1370EST/XEN	1	M034	DE67-00255A	COUPLER; TRIO PLUS,PPS,BI MWO TYPE, GLASS	SA	1

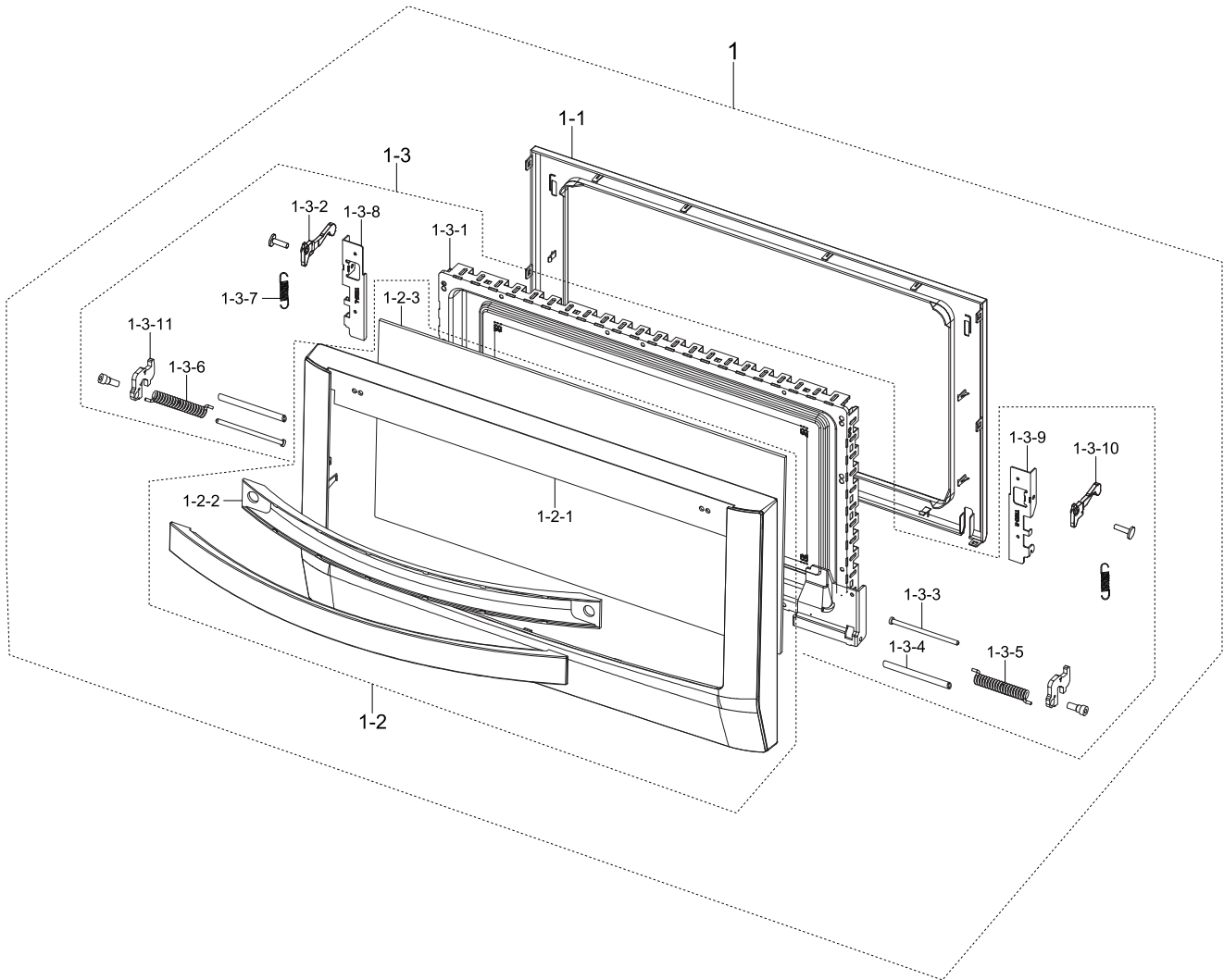
Exploded Views and Parts List

No.	Parent	Lvl.	Loc.	Material Code	Description & Specification	SNA	Qty.
37	DE98-01027E	2	T001	DE74-20002B	TRAY-COOKING; -,GLASS,T6,HKG,PI360,1.2CUF	SA	1
38	CP1370EST/XEN	1	P179	DE94-01704A	ASSY GUIDE AIR-DAMPER; -,-,AURORA PROJECT	SA	1
39	CP1370EST/XEN	1	P186	DE63-00455A	COVER-BACK; AURORA,SGCC,T0.6,W520,L370,-,	SA	1
40	CP1370EST/XEN	1	P259	DE61-00972A	BRACKET-GRILL HEATER; AURORA,STS430,T0.5,	SA	2
41	CP1370EST/XEN	1	P277	DE94-01840A	ASSY BRACKET-VENT(B); HS-C364AB,-,-,AUROR	SNA	1
41-1	DE94-01840A	2	P278	DE61-00993A	BRACKET-VENT(B); AURORA,SECC,T0.5,W220,L1	SNA	1
42	CP1370EST/XEN	1	P403	DE94-02223A	ASSY DUCT-INNER; CP1370,SECC,T0.5,TRIO PL	SA	1
42-1	DE94-02223A	2	M511	DE67-00257A	DUCT-INNER; CP1370,EGI-SECC,T0.5,TRIO PLU	SA	1
46	DE98-01027E	2	X013	DE63-00513A	TRAY-STEAMER; CE117AE-X,ALUMINIUM,T1.0,25	SA	1
47	DE98-01027E	2	T009	DE97-00136B	ASSY WIRE RACK; CK95,-,-,LOW-RACK	SA	1
47-1	DE97-00136D	3	T026	DE61-00389A	FOOT-RACK; PG81/83,SILICON,0.8 POWER-GRIL	SA	3
47-2	DE97-00136B	3	T067	DE74-00018B	RACK-WIRE; CK95,MSWR10,D268,-,H35,-,SNC2,	SA	1
48	DE98-01027E	2	T010	DE97-00136D	ASSY WIRE RACK; CK135,-,-,HIGH-RACK	SA	1
48-1	DE97-00136D	3	T026	DE61-00389A	FOOT-RACK; PG81/83,SILICON,0.8 POWER-GRIL	SA	3
48-2	DE97-00136D	3	T030	DE74-00018C	RACK-WIRE; MSWR10,PI3.0,CK135,268,121,SNC	SNA	1
49	CP1370EST/XEN	1	T050	DE97-00715A	ASSY DAMPER; AURORA PROJECT,-,BLACK	SA	1
49-1	DE97-00715A	2	B048	3405-001034	SWITCH-MICRO; 125/250VAC,16A,200gf,SPST-N	SA	1
49-2	DE97-00715A	2	M049	DE31-10098A	MOTOR SYNCHRONOUS; M2LB24ZR92,220/240V,50	SA	1
49-3	DE97-00715A	2	M075	DE66-00176A	CAM-MOTOR; 1.5CONV,POM(K300NTR)	SA	1
49-4	DE97-00715A	2	P083	DE72-00040B	DAMPER-PIN; AURORA PROJECT,MSWR,PI=2,AURO	SA	1
49-5	DE97-00715A	2	P263	DE66-00194A	DAMPER; AURORA,NYLON #66,-,-,-,BLACK,15	SA	1
49-6	DE97-00715A	2	T079	DE61-00999A	GUIDE-DAMPER; AURORA,NYLON#66,-,-,-,BLK,1	SA	1
51	CP1370EST/XEN	1	W002	DE96-00814A	ASSY WIRE HARNESS-A; CP1370-S,230V/50HZ,V	SA	1

No.	Parent	Lvl.	Loc.	Material Code	Description & Specification	SNA	Qty.
52	CP1370EST/XEN	1	W036	DE96-00705A	ASSY WIRE HARNESS-EARTH; -, -, 1.3CONVECTIO	SA	1
53	CP1370EST/XEN	1	W070	DE96-00820A	ASSY WIRE HARNESS-B; CP1370,230V50HZ,Trio	SA	1
55	CP1370EST/XEN	1	M155	DE94-02199A	ASSY BASE PLATE; TRIO PLUS,SGCC,T0.6	SA	1
55-1	DE94-02199A	2	M046	DE60-60025A	PIN-FOOT; -, -, -, -, -, -, -	SA	4
55-2	DE94-02199A	2	M047	DE61-40065A	FOOT; -, PP,T2x22x17mm,BLK, -, -, -	SA	4
55-3	DE94-02199A	2	M048	DE61-01220A	BASE-PLATE; TRIO PLUS,SGCC,T0.6,TURN TABL	SNA	1
55-4	CP1370EST/XEN	1	M131	DE65-20005A	WIRE-SADDLE; 2N, -, -, -, -	SA	1
56	DE98-01027E	2	X004	DE99-00242T	ASSY-CLEAN WATER BOWL; 1.1 STEAM CONV,SPS	SA	1
60	DE94-02191A	4	Z780	DE61-01201A	GUIDE-WAVE; ATAG BI MWO,SPP,T0.6,W215,L30	SA	1
61	CP1370EST/XEN	1	P275	DE97-00737B	ASSY BRACKET-HVT; BI MWO,SECC,T1.6,BI MWO	SNA	1
61-1	DE97-00737B	2	P276	DE61-00978A	BRACKET-HVT; AURORA,SECC,T1.6,W303,L133,-	SNA	1
62	DE98-01027E	2	X023	DE94-01759B	ASSY STEAMER SUB; HV-363AWS,STSS202+buffi	SA	1
63	DE98-01027E	2	X017	DE70-00565A	SHEET-PLATE STEAMER; CE117AE-X,AL,T1.0,TE	SA	1
64	CP1370EST/XEN	1	M049	DE31-10170B	MOTOR SYNCHRONOUS; SM16FHK36P1AW3,CONV,FR	SA	1

1.1. Assy Door

Exploded View



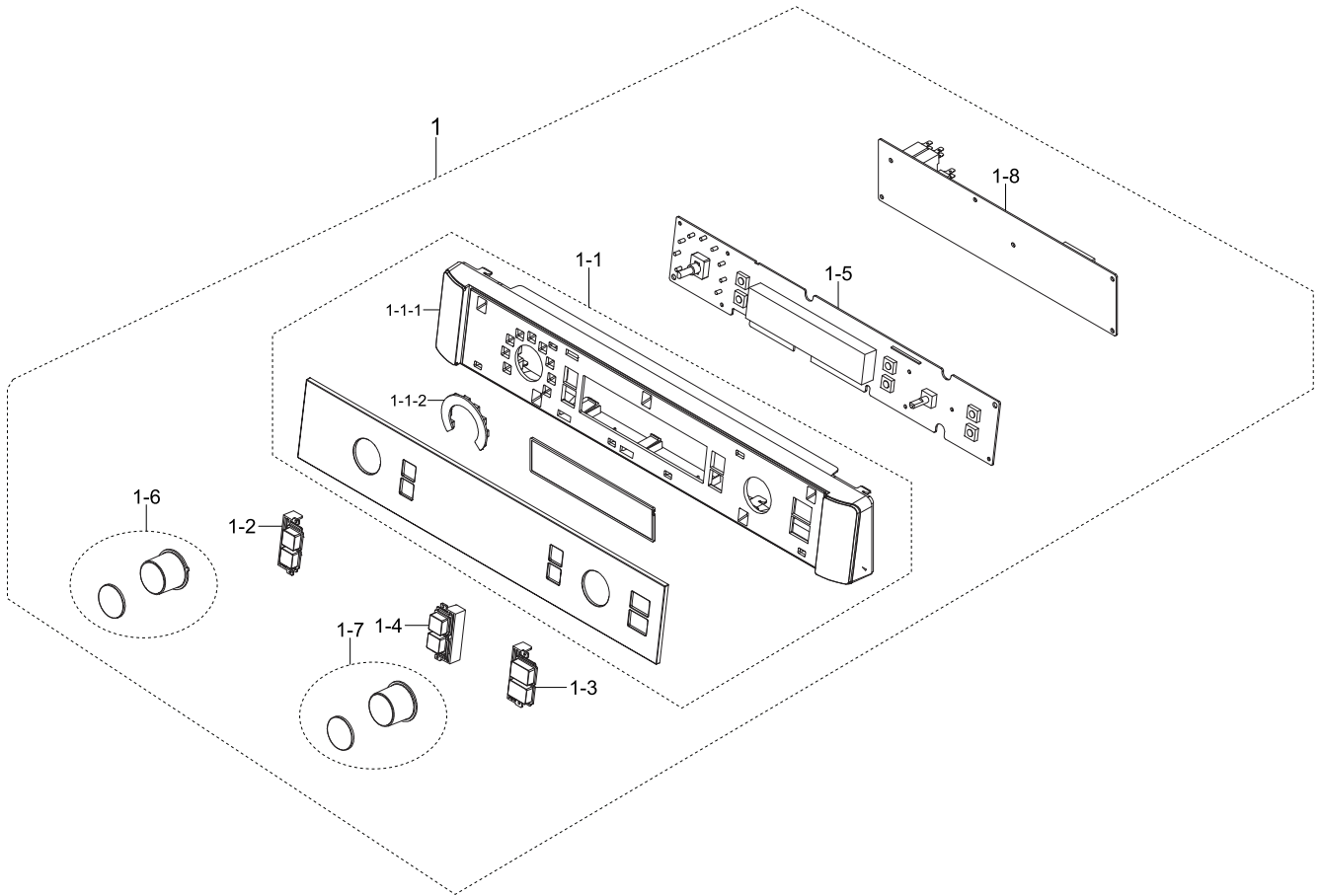
Parts List

No.	Parent	Lvl.	Loc.	Material Code	Description & Specification	SNA	Qty.
1	CP1370EST/XEN	1	D049	DE94-02194C	ASSY DOOR; CP1395EST,PC 141R,NEO SILVER +	SNA	1
1-1	DE94-02194C	2	D006	DE64-02314A	DOOR-C; TRIO PLUS,PBT (GF15%),BLACK,TURN	SA	1
1-2	DE94-02194C	2	D037	DE94-02195C	ASSY DOOR A; CP1395EST,PC 141R,NEO SILVER	SNA	1
1-2-1	DE94-02195C	3	D002	DE64-02315C	DOOR-A; CPS1390EST,PC,NEO STS SILVER,TRIO	SA	1
1-2-2	DE94-02194C	2	D019	DE64-02338A	HANDLE DOOR; CPS1390EST,STAINLESS-ST5430,	SNA	1
1-2-3	DE94-02194C	2	D024	DE64-02319A	SCREEN-DOOR(B); TRIO PLUS,GLASS,T3.2,CLEA	SNA	1

No.	Parent	Lvl.	Loc.	Material Code	Description & Specification	SNA	Qty.
1-3	DE94-02194C	2	D200	DE94-02222A	ASSY DOOR E-SUB; CP1370,PC,BLK,TRIO PLUS	SA	1
1-3-1	DE94-02222A	3	D004	DE94-02197A	ASSY DOOR E-SEALANT; TRIO PLUS,SGCC1,BLAC	SA	1
1-3-2	DE94-02222A	3	D014	DE64-02324A	KEY-DOOR (L); TRIO PLUS,DIECASTING,Zn COA	SA	1
1-3-3	DE94-02222A	3	D017	DE60-60008A	PIN-HINGE; -,M301TBC,-,-,MSWR10,-,-,-	SA	2
1-3-4	DE94-02222A	3	D097	DE66-00190A	SHAFT-HINGE; FQ159ST,SUM24L	SA	2
1-3-5	DE94-02222A	3	D098	DE61-01254A	SPRING ETC-HINGE(R); TRIO PLUS,PWB-SWPB,P	SA	1
1-3-6	DE94-02222A	3	D099	DE61-01253A	SPRING ETC-HINGE(L); TRIO PLUS,PWB-SWPB,P	SA	1
1-3-7	DE94-02222A	3	D149	DE64-02344A	KEY-SPRING; CP1370,PWA-SWPA,BLACK,TRIO PL	SA	2
1-3-8	DE94-02198A	6	D157	DE61-01248A	BRACKET-KEY DOOR(L); TRIO PLUS,SCP1,T1.0,	SNA	1
1-3-9	DE94-02198A	6	D158	DE61-01249A	BRACKET-KEY DOOR(R); TRIO PLUS,SCP1,T1.0,	SNA	1
1-3-10	DE94-02222A	3	D198	DE64-02323A	KEY-DOOR (R); TRIO PLUS,DIECASTING,Zn COA	SA	1
1-3-11	DE94-02222A	3	Z096	DE61-01250A	HINGE-DOOR; TRIO PLUS,SCP1,T4.0,TURN TABL	SA	2

1.2. Assy Control

Exploded View



Parts List

No.	Parent	Lvl.	Loc.	Material Code	Description & Specification	SNA	Qty.
1	CP1370EST/XEN	1	C082	DE94-02192E	ASSY CONTROL BOX; CP1370EST/XEF,230V50HZ,	SNA	1
1-1	DE94-02192E	2	C001	DE94-02193E	ASSY CONTROL PANEL; CP1370EST/XEF,NEO-ST5	SNA	1
1-1-1	DE94-02193E	3	C133	DE64-02388A	CHASSIS-PANEL L; TRIO PLUS,STAINLESS-ST54	SA	1
1-1-2	DE94-02193E	3	C071	DE63-00635A	COVER-LED; TRIO-PLUS,ABS,T2.0,WHT,LDW68,	SA	1
1-2	DE94-02192E	2	C011	DE64-02309A	BUTTON-SELECT(A); TRIO PLUS,ABS,BLACK,TUR	SA	1
1-3	DE94-02192E	2	C012	DE64-02310A	BUTTON-SELECT(B); TRIO PLUS,ABS,BLACK,TUR	SA	1
1-4	DE94-02192E	2	C013	DE64-02332A	BUTTON-SELECT(C); CP1370,ABS,BLACK,TRIO P	SA	1
1-5	DE94-02192E	2	C154	DE96-00819B	ASSY DISPLAY; CP1370EST,DAM-ATLED-01,Ambe	SA	1

No.	Parent	Lvl.	Loc.	Material Code	Description & Specification	SNA	Qty.
1-6	DE94-02192E	2	C325	DE94-02217D	ASSY KNOB-L; CP1370EST,ABS,LED BLK + STSS	SNA	1
1-7	DE94-02192E	2	C326	DE94-02218B	ASSY KNOB-R; CP1395EST,ABS,BLK + VICTORY	SNA	1
1-8	DE94-02192E	2	C003	RCS-AURORA-17	ASSY PCB PARTS; CP1370E,SMPS, 230V50HZ,ST		1