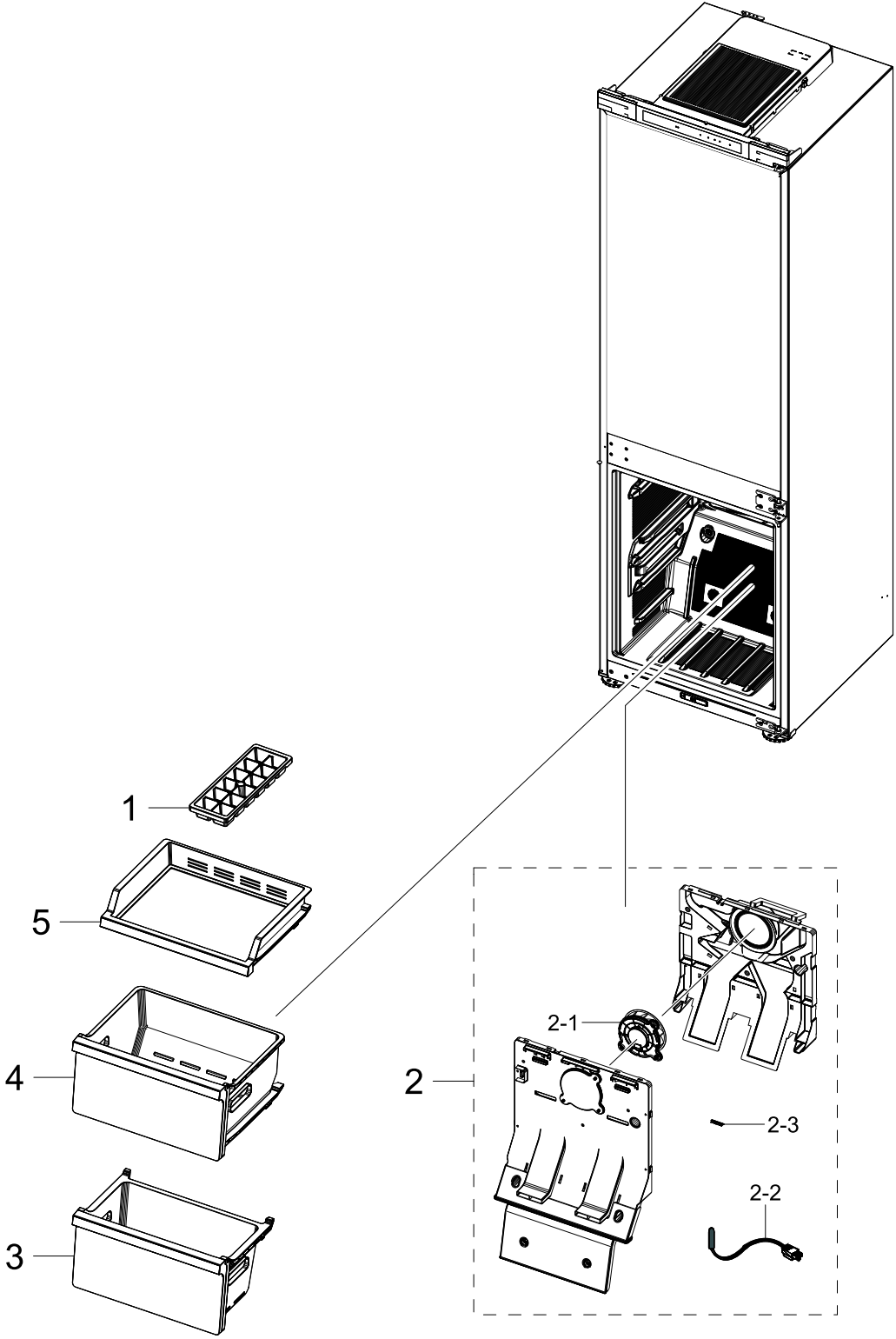


1. FREEZER

FREEZER

Exploded View



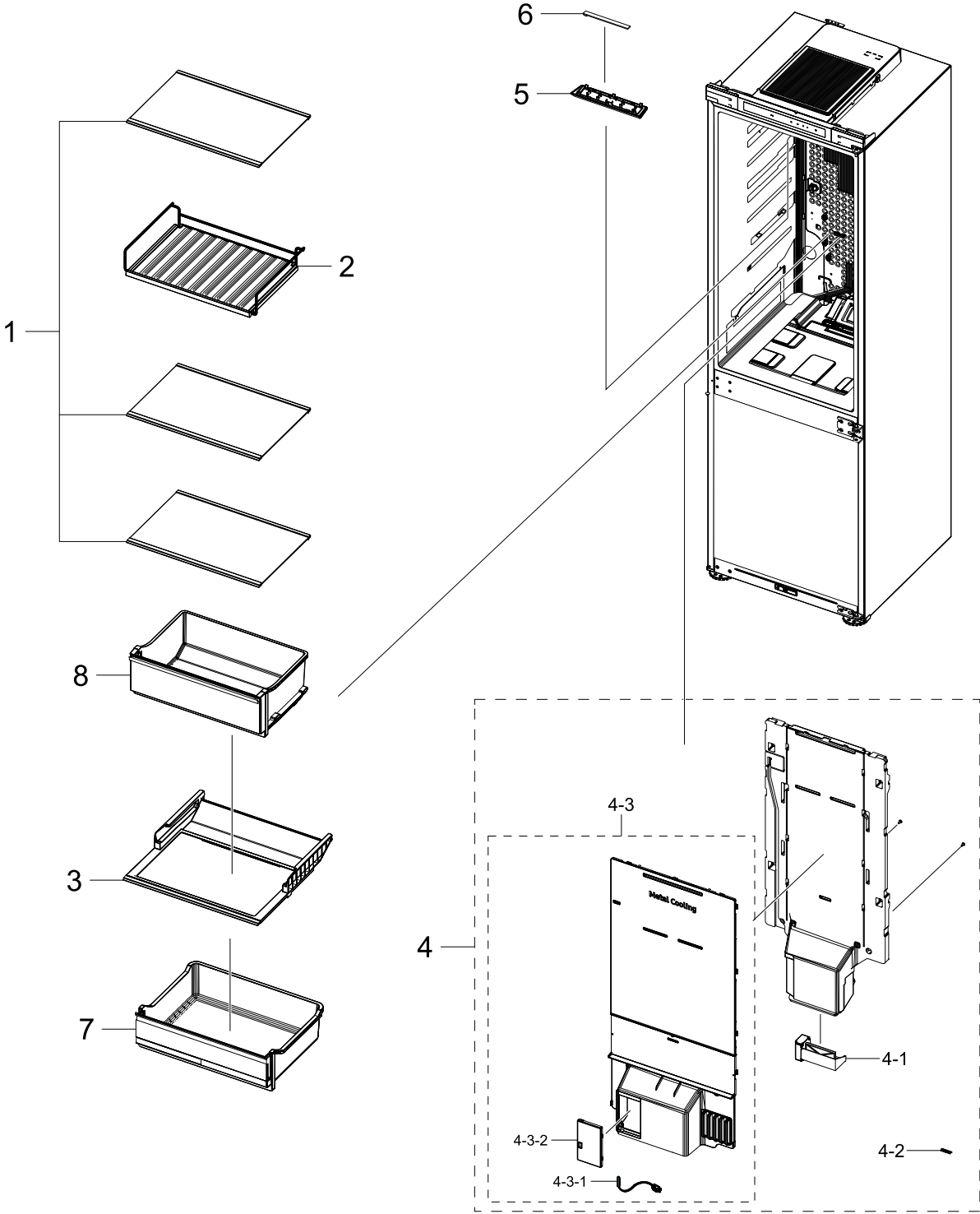
Parts List

No.	Lvl.	Loc.	Material Code	Description & Specification	SNA	Qty.
1	2		DA67-40146A	TRAY ICE-ICE MODULE; RB7300T,PP,T1.5,HB,N	SNA	1
2	2	M0303	DA97-17173A	ASSY COVER EVAP-FRE; BRB6000M	SA	1
2-1	3		DA31-00334D	MOTOR BLDC FAN; 12035GE-12M-YT,1775±7%,1	SA	1
2-2	3	A1018	DA32-00070F	SENSOR TEMP; SC41198-021A,L300,13.2kohm,2	SA	1
2-3	3		DA61-11034A	FIXER; RT5000K,PA66,-,WHITE,-,KN3322V0,5P	SA	1
3	2	A1186	DA97-17253D	ASSY CASE BASKET-LOW; BRB600A,TP GRAY, NO	SA	1
4	2		DA97-17254F	ASSY CASE BASKET-MIDDLE; BRB6000A,TP GRAY	SA	1
5	2		DA97-17379C	ASSY SHELF SLIDE-FRE; BRB6000A,ASSY	SA	1

2. FRIDGE

FRIDGE

Exploded View



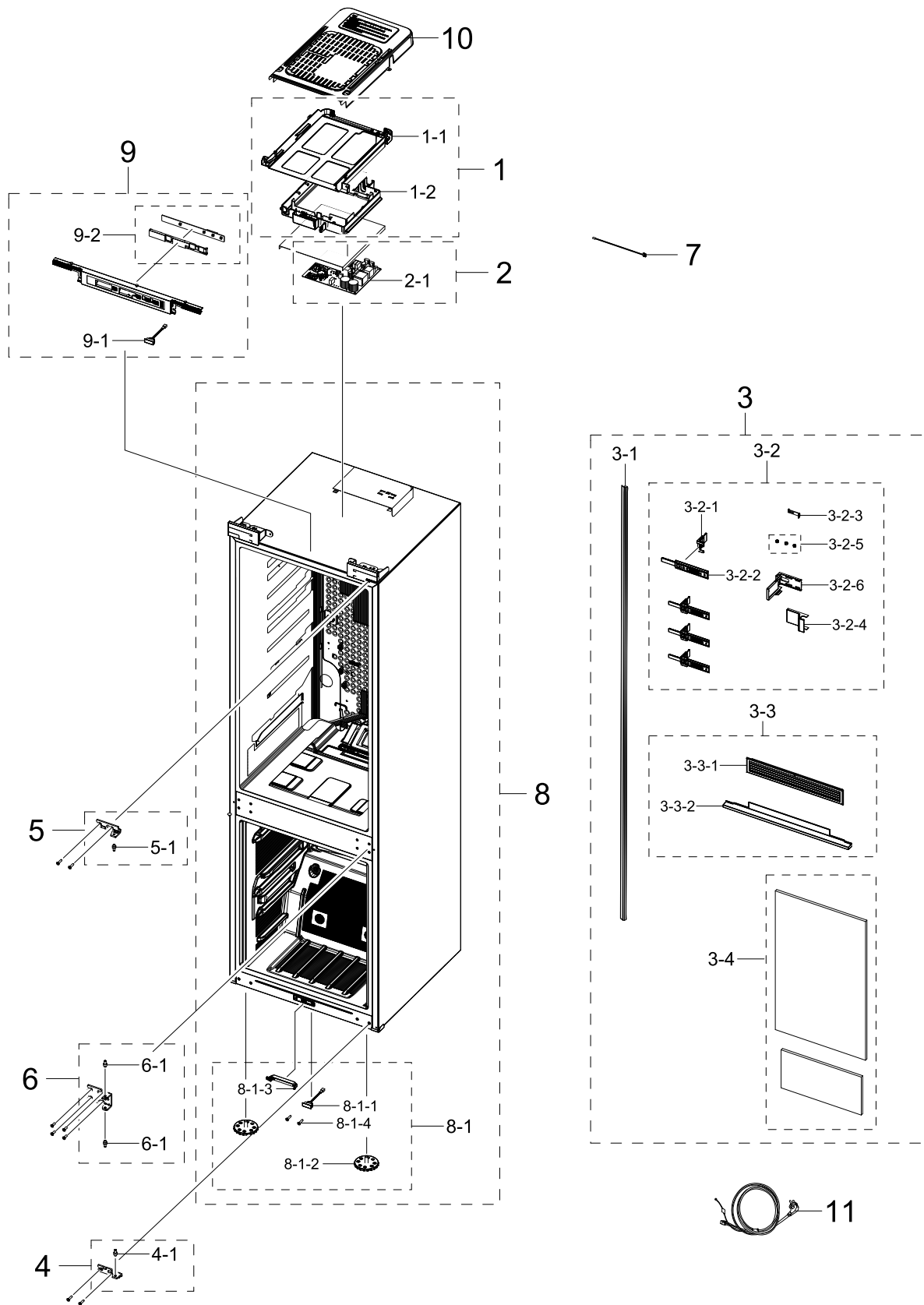
Parts List

No.	Lvl.	Loc.	Material Code	Description & Specification	SNA	Qty.
1	2		DA97-17294E	ASSY SHELF GLASS-REF; BRB6000A,LUMINOUS T	SA	3
2	2		DA97-21706A	ASSY SHELF WIRE; RS8000AC Re-Launch,TP BL	SA	1
3	2		DA97-22087B	ASSY SHELF VEG-LOW; BRB6000A,LUMINOUS TRI	SA	1
4	2	G0239	DA97-22099B	ASSY COVER MULTI-REF; BRB6000A,PLATE COOL	SA	1
4-1	3		DA31-00333C	MOTOR GEARED DC DAMPER; NSBA001TN1,375rpm	SA	1
4-2	3		DA61-11032A	FIXER; RT5000K,PA66,WHITE,KN3322V0,7P Ret	SA	1
4-3	3		DA97-22408A	ASSY COVER MULTI; BRB6000A,Sub Assy	SNA	1
4-3-1	4	A1018	DA32-00070D	SENSOR TEMP; SC41199-021A,L900,13.2kohm,2	SA	1
4-3-2	4		DA63-06337A	COVER-CONV MULTI; GRAND CRU,PP,HB,COOL WH	SA	1
5	2		DA97-21569A	ASSY COVER LAMP; RB7300T,COVER LAMP, ASSY	SA	1
6	2		DA96-01119A	ASSY LAMP LED; 3EA,FR-4,150*12,WHITE,SMAW	SA	1
7	2	M0300	DA97-17247E	ASSY CASE VEG-LOW; BRB6000A,TP GRAY, Humi	SA	1
8	2		DA97-22196B	ASSY CASE VEG-UP; BRB6000A,TP GRAY, PRINT	SA	1

3. CABINET

CABINET

Exploded View



Parts List

No.	Lvl.	Loc.	Material Code	Description & Specification	SNA	Qty.
1	2		DA97-22516A	ASSY CASE PBA-MAIN; BRB6000A	SNA	1
1-1	3		DA61-14630A	CASE PBA-MAIN; BRB6000A,PP,T2,BLACK,SSPP-	SA	1
1-2	3		DA61-14629A	CASE PBA; BRB6000A,PC,T2.5,EBONY BLACK,HN	SA	1
2	1		DA94-05958F	ASSY PCB EEPROM; 0x1D,DA92-01296H,D603, D	SA	1
2-1	2	A0952	DA92-01296H	ASSY PCB MAIN; MONO COOLING,BRB6000A,160*	SNA	1
3	2		DA91-05541A	ASSY INSTALL-REF; 1775,Slide	SNA	1
3-1	3	G0404	DA61-12099A	FIXER-SPACER; BRB6000M,PVC,WHITE,SHGS-L13	SA	1
3-2	3		DA91-05533A	ASSY INSTALL-SMALL; Slide	SA	1
3-2-1	4		DA61-11328A	SUPPORT RAIL; BRB6000M,POM,-,K300,COOL WH	SA	4
3-2-2	4		DA61-11329A	GUIDE RAIL; BRB6000M,PA66,SNOW WHITE,KN33	SA	4
3-2-3	4		DA61-12156A	BRACKET HINGE; BRB6000M,PO-SPHC,T2,Slide	SA	1
3-2-4	4		DA63-08929A	COVER HINGE-MIDDLE; BRB6000M,ABS,HB,SNOW	SA	1
3-2-5	4		DA67-00942A	CAP SCREW; BBC-PJT,PP,T2,HB,BJ750,SNOW WH	SA	3
3-2-6	4		DA97-18282A	ASSY BRACKET-MIDDLE; BRB6000M	SA	1
3-3	3		DA91-05535A	ASSY INSTALL-BIG; Slide	SA	1
3-3-1	4		DA64-05179A	GRILLE; BRB6000M,HIPS,SNOW WHITE,576H	SA	1
3-3-2	4		DA97-18110A	ASSY CAP LEG-FRONT; BRB6000M	SA	1
3-4	3		DA97-22198A	ASSY INS FIXER; BRB6000A_1775,REF	SA	1
4	2	M0344	DA97-17229A	ASSY HINGE-LOW; BRB6000M	SA	1
4-1	3	A0518	DA66-00385A	SHAFT-HINGE; CORE,SWRCH10A,L17,OD6,T6,ZPC	SA	4
5	2		DA97-17230A	ASSY HINGE-UP; BRB6000M	SA	1
5-1	3	A0518	DA66-00385A	SHAFT-HINGE; CORE,SWRCH10A,L17,OD6,T6,ZPC	SA	4
6	2		DA97-17231A	ASSY HINGE-MIDDLE; BRB6000M	SA	1
6-1	3	A0518	DA66-00385A	SHAFT-HINGE; CORE,SWRCH10A,L17,OD6,T6,ZPC	SA	4
7	2		DA96-00990S	ASSY WIRE HARNESS-ETC; BRB6000A,BMF BI,FR	SNA	1
8	2		DA97-22510B	ASSY CABI FORM-CABI MODULE; BRB26*,MONO,F	SNA	1
8-1	3		DA97-22204A	ASSY CABI FRAME-BOTTOM; BRB6000,PP,T2.0,M	SNA	1
8-1-1	4		DA34-00043J	SWITCH REED; UL1007 AWG 22,50mm	SA	1

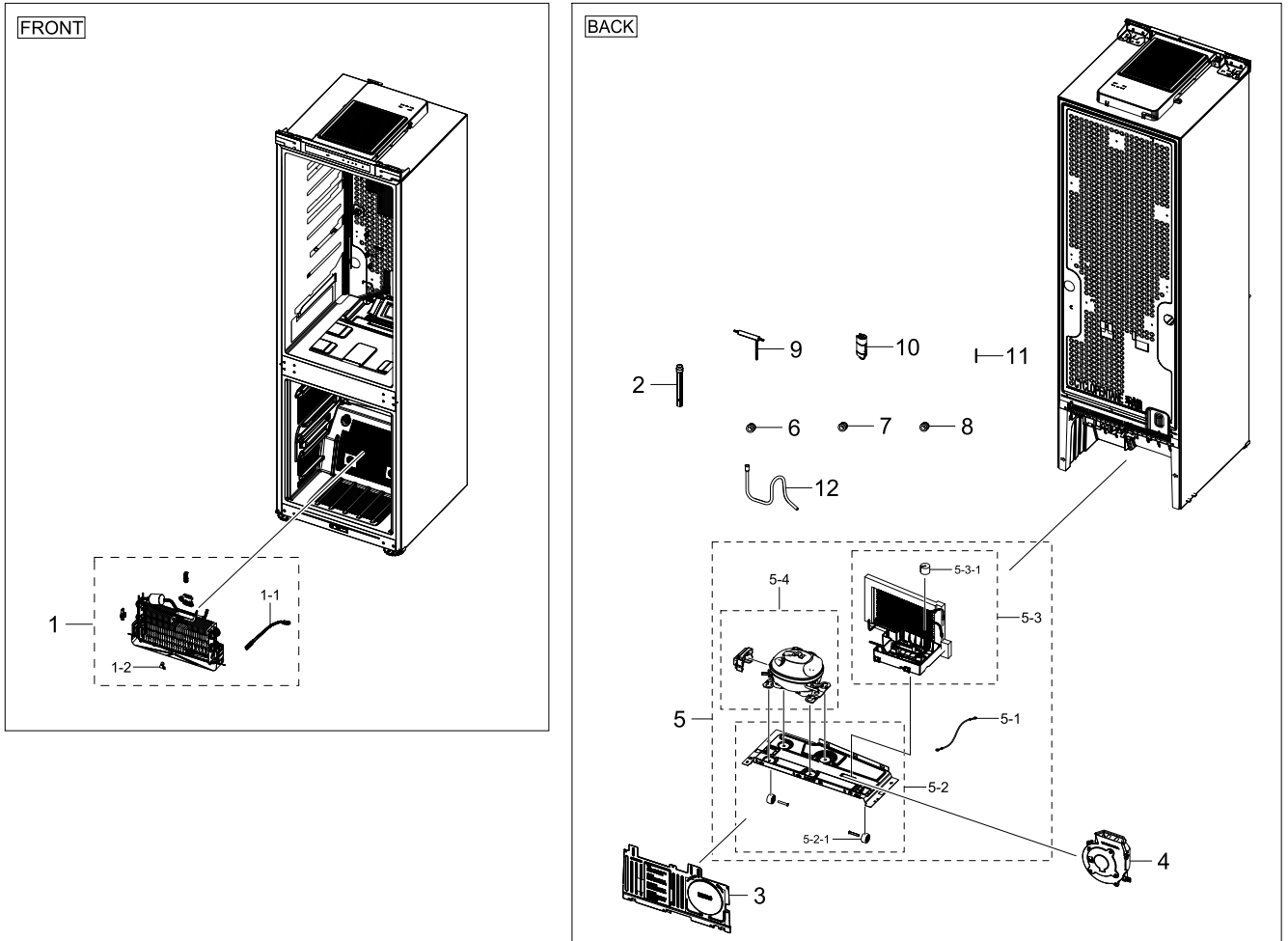
Exploded Views and Parts List

No.	Lvl.	Loc.	Material Code	Description & Specification	SNA	Qty.
8-1-2	4	A0577	DA61-11301A	FOOT-FRONT; BRB6000M,PP,BLACK,PP-SCRAP,01	SA	2
8-1-3	4	G0271	DA67-02385A	CAP DOOR SWITCH; SVETA-PJT,PP,T1.5,HB,BJ7	SA	1
8-1-4	4	G0020	6009-001475	SCREW-SPECIAL; FH,+,M5,L25(15.5),ZPC(WHT)	SA	4
9	2	A0904	DA97-22123A	ASSY COVER CONTROL-FRONT; BRB6000A,SNOW W	SA	1
9-1	3		DA34-00043J	SWITCH REED; UL1007 AWG 22,50mm	SA	1
9-2	3		DA97-22240A	ASSY COVER CONTROL-PBA; BRB6000A,MONO	SA	1
10	2		DA97-22895A	ASSY COVER PBA; BRB6000A,GI-SGCC,T0.4	SA	1
11	2	A0273	3903-001024	POWER CORD-AT; H05VV-F 3x0.75mm ² ,BLK,GB3F	SA	1

4. CYCLE

CYCLE

Exploded View



Parts List

No.	Lvl.	Loc.	Material Code	Description & Specification	SNA	Qty.
1	2	A0163	DA96-01209A	ASSY EVAP-FRE; BRB6000M,FIN TUBE	SA	1
1-1	3	A1008	DA47-00301D	THERMO FUSE-ASSY; AC250V,10A,109~110°C,S	SA	1
1-2	3	M9010	DA61-03644A	PLATE-EVAP HEATER; AW-PJT,Al,T0.7	SA	1
2	2		DA97-22533A	ASSY CAP DRAIN; BRB6000A,L165	SA	1
3	2	M0076	DA97-22100A	ASSY COVER COMP; BRB6000A,GI-SGCC,T0.25	SA	1
4	2	M0116	DA97-22203A	ASSY SUPPORT-CIRCUIT MOTOR; BRB6000A,AIO	SA	1
5	2		DA97-22512A	ASSY COMP N CONDENSING-COND MODULE; BRB60	SNA	1
5-1	3	A0562	DA39-20389A	ASSY WIRE HARNESS-EARTH; EARTH,ALL,FREE V	SA	1
5-2	3	A0526	DA97-22102A	ASSY CHASSIS COMP; BRB6000A,GI-SGCC,T1	SA	1

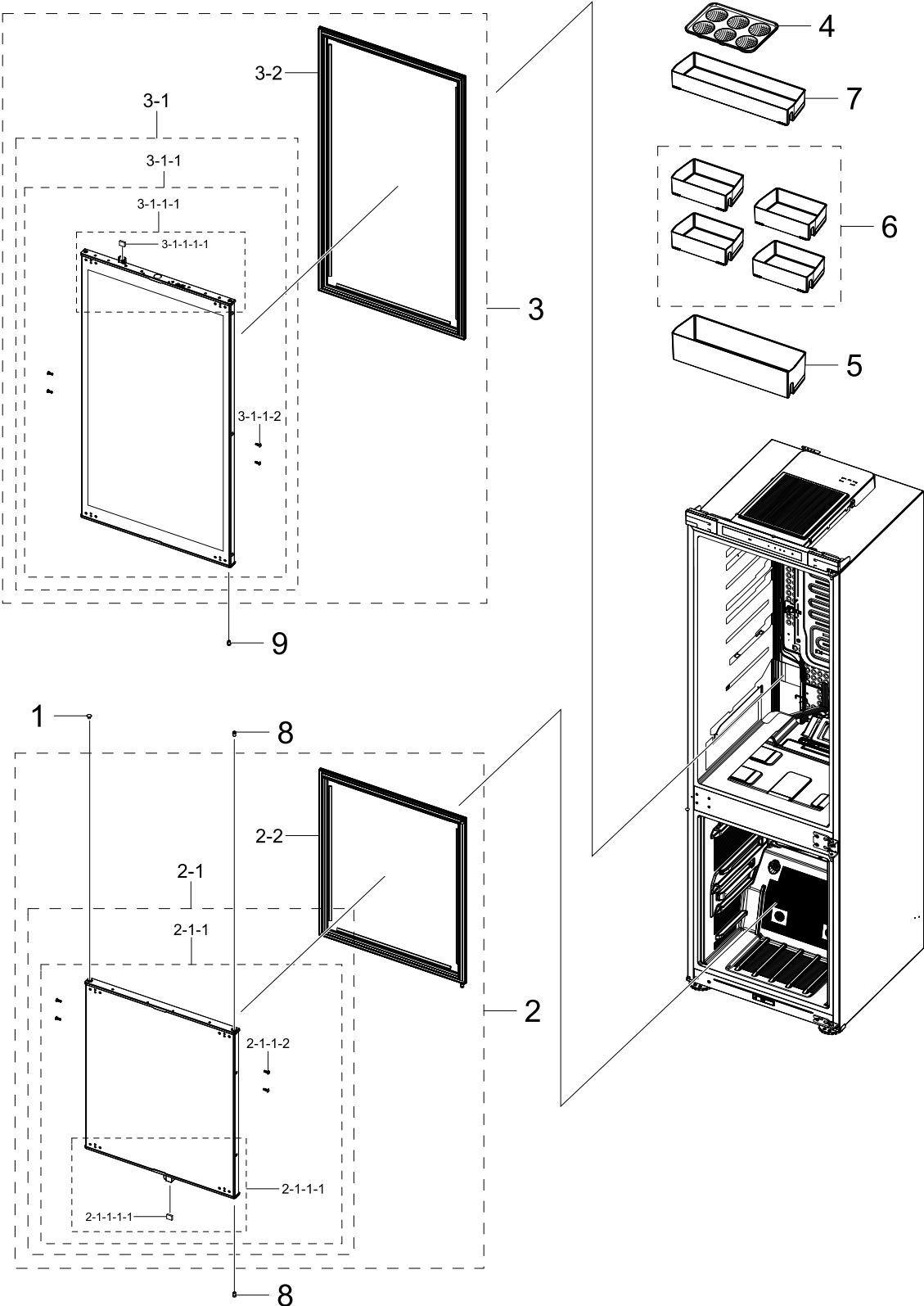
Exploded Views and Parts List

No.	Lvl.	Loc.	Material Code	Description & Specification	SNA	Qty.
5-2-1	4	A0527	DA61-06202A	CASTER-REAR; GRAND-CRU,PP,NATURAL	SA	2
5-3	3	A0529	DA97-22202A	ASSY TRAY DRAIN WATER; BRB6000A,Mono, PFC	SA	1
5-3-1	4	M0333	DA63-40171B	GROMMET-SUCT PIPE A; NBR,ID4,OD20	SC	1
5-4	3		NI34T9101ADAK	CMP,COMP,REFRIGERATOR,R600A; CMP,COMP,REFRIGERATOR,R600A		1
6	2		DA60-00279A	FITTING LOCK RING; SUM23,-,SILVER,-,16,	SA	2
7	2		DA60-00280A	FITTING-LOKRING 33; SUM23,ID3/16,33, 11SM	SA	1
8	2		DA60-00281A	FITTING LOCK SLEEVE; SUM23,ID5.02,11SMnPb	SA	1
9	2	A0669	DA62-04309C	DRYER; C1220T-H,L118,SINGLE MOUTH,For Cap	SA	1
10	2		DA63-08943A	GROMMET; BRR9000M,NBR,CAP GROMMET	SA	1
11	2	A0523	DA73-10190U	PIPE-CONNECT DISC,B; ALL,C1220T,Cu,OD6.35	SA	1
12	2		DA62-05667A	PIPE CONNECT-SUCTION; BRB6000A,Cu,OD6.35,	SNA	1

5. ASSY DOOR

ASSY DOOR

Exploded View



Parts List

No.	Lvl.	Loc.	Material Code	Description & Specification	SNA	Qty.
1	2		DA67-04054B	CAP HINGE; BK PJT,ABS,T1.2,HB,HG-0760GPS	SA	1
2	2		DA93-01074A	ASSY DOOR SUB-FRE DOOR MODULE; BRB26*,SLI	SNA	1
2-1	3	M0063	DA91-05500C	ASSY DOOR FOAM-FRE; BRB6000,SNOW WHITE,N,	SA	1
2-1-1	4		DA97-17238D	ASSY PLATE DOOR-FRE; BRB6000M,SNOW WHITE,	SNA	1
2-1-1-1	5	A0047	DA97-17237C	ASSY CAP DOOR-FRE LOW; BRB6000M, Vendor as	SNA	1
2-1-1-1-1	6	A0534	DA61-03769B	MAGNET; SVETA,FERRITE,1600Gauss	SA	2
2-1-1-2	5	A0848	6001-000715	SCREW-MACHINE; SWRCH18A,ZPC(WHT),L16,M5,T	SA	8
2-2	3		DA97-22135A	ASSY GASKET-FRE; BRB6000,GRAY, W484.8, H5	SA	1
3	2		DA93-01073A	ASSY DOOR SUB-REF DOOR MODULE; BRB26*,SLI	SNA	1
3-1	3	Z1100	DA91-05498C	ASSY DOOR FOAM-REF; BRB6000,SNOW WHITE,N,	SA	1
3-1-1	4		DA97-22095C	ASSY PLATE DOOR-REF; BRB6000,BRB26,SLIDE	SNA	1
3-1-1-1	5		DA97-17245D	ASSY CAP DOOR-REF UP; BRB6000M,vendor ass	SNA	1
3-1-1-1-1	6	A0534	DA61-03769B	MAGNET; SVETA,FERRITE,1600Gauss	SA	2
3-1-1-2	5	A0848	6001-000715	SCREW-MACHINE; SWRCH18A,ZPC(WHT),L16,M5,T	SA	8
3-2	3		DA97-22138A	ASSY GASKET-REF; BRB6000,BRB26, GRAY, W48	SA	1
4	2	A0656	DA63-07346A	TRAY EGG; 3050,GPPS,-,HB,TP BLUE,-,HH104,	SA	1
5	2	A0151	DA63-08624B	GUARD BOTTLE; BRB6000A,GPPS,T3,TP GRAY	SA	1
6	2	A0153	DA63-09093B	GUARD VARIETY; BRB6000A,GPPS,T3,TP GRAY	SA	4
7	2	M0447	DA63-11306B	GUARD-REF UP; BRB6000A,GPPS,T3,TP GRAY	SA	1
8	2	A0827	DA63-08059A	GROMMET HINGE; BK65,60,PA66+GF15%,BLACK,-	SA	3
9	2	A0827	DA63-08059A	GROMMET HINGE; BK65,60,PA66+GF15%,BLACK,-	SA	3