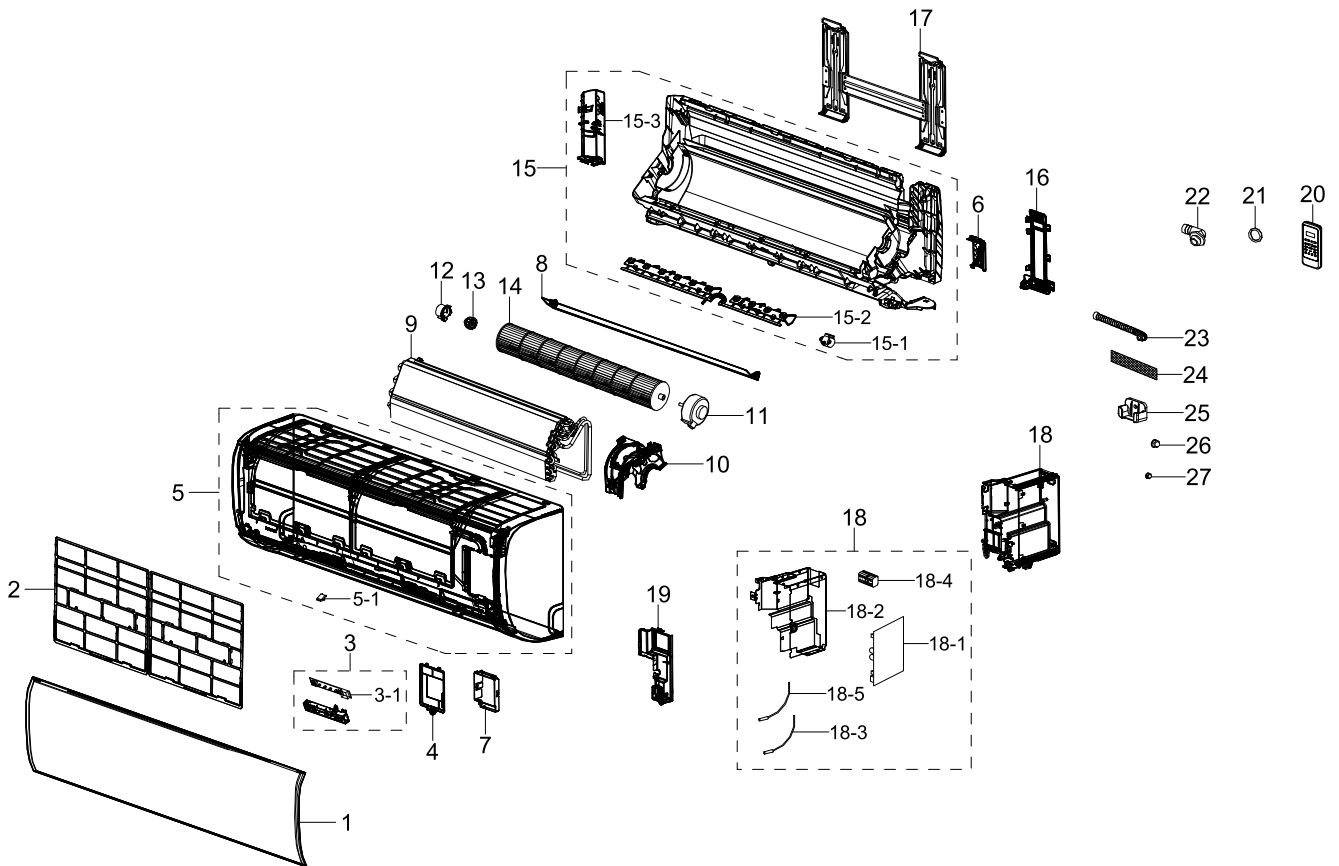


1. AR12TXHQASINEU

Exploded View



Parts List

No.	Lvl.	Loc.	Material Code	Description & Specification	SNA	Qty.
1	1		DB81-05807A	A/S-GRILLE INLET; MIDEA,12122000A76605,EU	SA	1
2	1		DB81-05090A	A/S-FILTER PRE; AR12RSFQAWKNBG,1212200001	SA	2
3	1		DB82-04873A	A/S ASSY-DISPLAY; MIDEA,17222000A18688,IN	SA	1
3-1	2		DB82-04874A	A/S ASSY-PCB DISPLAY; MIDEA,1712200004191	SA	1
4	1		DB81-05069A	A/S-COVER TERMINAL; AR09RSFQAWKNBG,121220	SA	1
5	1		DB81-05808A	A/S-PANEL FRONT; MIDEA,12122000A47185,EUR	SA	1
5-1	2		DB81-05071A	A/S-CAP SCREW; AR09RSFQAWKNBG,12122000013	SA	2
6	1		DB81-05072A	A/S-COVER PANEL RH; AR09RSFQAWKNBG,121220	SA	1
7	1		DB81-05073A	A/S-COVER TERMINAL SUB; AR09RSFQAWKNBG,12	SA	1
8	1		DB81-05092A	A/S-BLADE-H; AR12RSFQAWKNBG,1212200001316	SA	1
9	1		DB82-04824A	A/S ASSY-EVAP; MIDEA,15822000008180,INDIA	SA	1
10	1		DB81-05075A	A/S-COVER MOTOR; AR09RSFQAWKNBG,121220000	SA	1
11	1		DB81-05076A	A/S-MOTOR FAN; AR09RSFQAWKNBG,11002012031	SA	1
12	1		DB82-04632A	A/S ASSY-RUBBER BEARING; AR09RSFQAWKNBG,1	SA	1

Exploded Views and Parts List

No.	Lvl.	Loc.	Material Code	Description & Specification	SNA	Qty.
13	1		DB81-05077A	A/S-COVER BEARING; AR09RSFQAWKNBG,1262200	SA	1
14	1		DB82-04642A	A/S ASSY-CROSS FAN; AR12RSFQAWKNBG,121001	SA	1
15	1		DB82-05562A	A/S ASSY-BACK BODY; MIDEA,12122000014661,	SA	1
15-1	2		DB81-05078A	A/S-MOTOR STEP; AR09RSFQAWKNBG,1100201000	SA	1
15-2	2		DB81-05093A	A/S-BALDE-V; AR12RSFQAWKNBG,1212200001316	SA	1
15-3	2		DB81-05080A	A/S-COVER PANEL LF; AR09RSFQAWKNBG,121220	SA	1
16	1		DB81-05081A	A/S-HOLDER PIPE; AR09RSFQAWKNBG,121220000	SA	1
17	1		DB82-04635A	A/S ASSY-PLATE HANGER; AR09RSFQAWKNBG,122	SA	1
18	1		DB82-05565A	A/S ASSY-CONTROL IN; MIDEA,17222000A58229	SA	1
18-1	2		DB82-04988A	A/S ASSY-MAIN PBA; MIDEA,17122000045458,M	SA	1
18-2	2		DB81-05082A	A/S-CASE CONTROL IN; AR09RSFQAWKNBG,12122	SA	1
18-3	2		DB82-04638A	A/S ASSY-THERMISTER IN-PIPE; AR09RSFQAWKN	SA	1
18-4	2		DB81-05217A	A/S-TERMINAL BLOCK; MIDEA,17400401003736,	SA	1
18-5	2		DB82-04639A	A/S ASSY-THERMISTER IN-ROOM; AR09RSFQAWKN	SA	1
19	1		DB81-05084A	A/S-COVER PBA; AR09RSFQAWKNBG,12122000013	SA	1
20	1		DB82-05073A	A/S ASSY-WIRELESS REMOCON; MIDEA,17317000	SA	1
21	1		DB81-05385A	A/S-SEAL RING; MIDEA,12600701000039,MOROC	SA	1
22	1		DB81-05085A	A/S-DRAIN PLUG; AR09RSFQAWKNBG,1210050900	SA	1
23	1		DB81-05094A	A/S-DRAIN HOSE; AR12RSFQAWKNBG,1210050100	SA	1
24	1		DB81-05086A	A/S-AIR FRESHENING FILTER; AR09RSFQAWKNBG	SA	1
25	1		DB81-05809A	A/S-HOLDER REMOCON; MIDEA,12117000002114,	SA	1
26	1		DB81-05087A	A/S-FLARE NUT 3/8; AR09RSFQAWKNBG,1550040	SA	1
27	1		DB81-05088A	A/S-FLARE NUT 1/4; AR09RSFQAWKNBG,1550040	SA	1