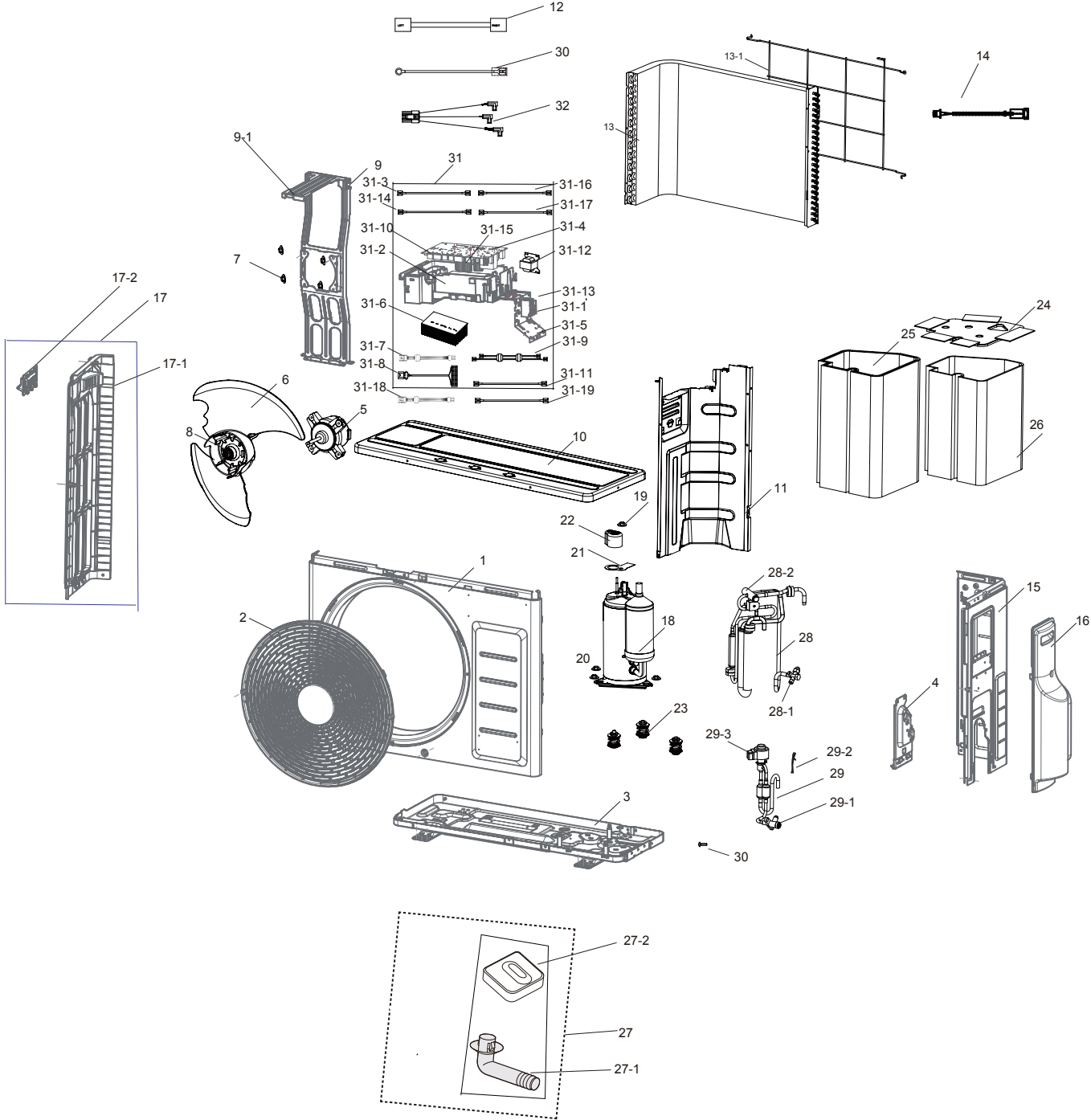


OUTDOOR UNIT

AR12KSWBWKXET



AR12KSWSBWKXET

No.	Parts Code	Parts Name	Description	Q'ty	Service
				AR12KSWSBWKXET	
1	DB90-07761D	ASSY CABI FRONT	AR09JSFSMWKXFA,NEW-WW1	1	SA
2	DB63-03660A	GUARD FAN	PP,EARTH BROWN	1	SA
3	DB90-07750C	ASSY BASE OUT	A3050 F-XS-02(WW1),COMP 44	1	SA
4	DB61-04339C	BRACKET-VALVE	GL-SAZCC,T1.0,200.9,-,SSEC	1	SA
5	DB31-00642A	MOTOR BLDC FAN	SIC-67FV-F139-1(A),1000,3	1	SA
6	DB67-01407A	FAN PROPELLER	PP+GF20%+PD20%	1	SA
7	6009-001001	SCREW-SPECIAL	TH,+,WT,M4,L10,ZPC(WHT),SW	2	SNA
8	DB60-00437A	FASTENER-NUT FLANGE	SWRCH10A,14,1.2,6	1	SA
9	DB90-07834B	ASSY BRACKET MOTOR	AC035HCADKH/EU,SSEC	1	SA
9-1	DB61-05815A	BRACKET MOTOR	F-XS-02,GI-SGCC,T1.0,-	1	SNA
10	DB90-07759A	ASSY CABI TOP	AR12FSSDAWKXFA,SSEC	1	SA
11	DB94-04147A	ASSY PARTITION	AR12FSSDAWKXFA,SSEC	1	SA
12	DB93-11244A	ASSY CONNECTOR WIRE	3,1331,16,RED,MG6150	1	SA
13	DB96-21020A	ASSY COND BENDING	AR12HSFBSBURxET,NEW-WW1	1	SA
13-1	DB63-03519A	GUARD COND	F-XS-02,MSWR-SWRM,EARTH BROWN	1	SA
14	DB95-05164A	ASSY THERMISTOR OUT	103AT,6P,600/280/760	1	SA
15	DB90-07736A	ASSY CABI SIDE-RIGHT	AR12FSSDAWKXFA,SSEC	1	SA
16	DB90-07201F	ASSY COVER CONTROL	AQV09PSCXEUR,SSEC,ASS	1	SA
17	DB90-08040A	ASSY CABI SIDE-LEFT	N-WW1,A3050,F-XS-02,	1	SA
17-1	DB64-03082A	CABINET SIDE-LEFT	A3050,F-XS-02,GI-SGCC,	1	SNA
17-2	DB64-00992C	HANDLE-LF	PP weatherability,SSEC	1	SA
18	UG9AJ3090FERSS	RCP,RCP,F,R410A	RCP,RCP,F,R410A	1	SA
19	6021-001142	NUT-HEXAGON FLANGE	M5,ZPC(WHT),SWRCH10A,	1	SA
20	DB60-30028A	NUT-FLANGE	HWH,M8,ZPC(WHT),SWRCH18A,P1.2	3	SA
21	DB63-00817B	GASKET	A/C model,SIR,T0.8,26.0,L80,A/C m	1	SA
22	DB63-02310A	COVER TERMINAL	SABIC N1250,2.5,-,BLACK,N	1	SA
23	DB63-03386A	GROMMET ISOLATOR	NR,33,11.5,34,BLACK	3	SA
24	DB63-02883B	FELT-COMP UPPER	EVAR/FELT,T5+T1.5,BLACK	1	SNA
25	DB63-02320A	FELT-COMP OUT	AR09HSFSAWKXET,FELT/PVC,T5	1	SA
26	DB63-02341A	FELT-COMP SIDE	-,FELT/PVC,T5+T1.6,250,52	1	SA
27	DB97-02066C	ASSY ACCESSORY	HP,NO,18000,NO,-,N,SH18AW	1	SA
27-1	DB67-20011A	DRAIN-PLUG OUT	ASH-1814ER,PP,NATURAL	1	SA
27-2	DB73-20134A	RUBBER-LEG	V2-MD,NR,55	4	SA
28	DB96-22139A	ASSY TUBE 4WAY	AR12KSWSAWKXET,ASSY	1	SA
28-1	DB62-02284A	VALVE SERVICE-SPINDLE	.,3/8",R410A, FLAR	1	SA
28-2	DB96-06998F	ASSY-SOLENOID COIL	WW3,SSEC	1	SA
29	DB96-18837A	ASSY TUBE EEV	AR12FSSDAWKXFA,SSEC	1	SA
29-1	DB62-02283A	VALVE SERVICE-SPINDLE	.,1/4",R410A, FLAR	1	SA
29-2	DB81-00635A	SPRING ETC-SENSOR	DVM-SYSTEM,STS304,R2.5	2	SA
29-3	DB62-04266A	VALVE EXPAN	SUS,1.4,500	1	SA
30	DB97-02418A	ASSY-SCREW TAPPING	SS-P/J,TH,M4*L14	7	SA
31	DB93-15614Q	ASSY CONTROL OUT	HP,INV,AR12KSWSAWKXET,N	1	SNA
31-1	DB65-00274A	TERMINAL BLOCK	TERMINAL BLOCK,B_Type	1	SA
31-2	DB61-05883B	CASE CONTROL	A3050 (F-XS-02/03),ABS,T2.0	1	SA
31-3	DB93-14276A	ASSY CONNECTOR WIRE-DC SIGNAL	3,1007,22,	1	SA
31-4	DB92-02866J	ASSY PCB MAIN	OUTDOOR,A3050,197*142,PF#2	1	SA
31-5	DB61-05836A	PLATE CONTROL	F-XS-02,GI-SGCC,T0.6,-	1	SNA
31-6	DB62-11646A	HEAT SINK	PF#2,AL,T5.0,79,130,44.5,SCREW	1	SNA
31-7	DB93-09495N	ASSY CONNECTOR WIRE	2,1015,14,BRN,175022	1	SA
31-8	DB93-12121B	ASSY CONNECTOR WIRE-EARTH WIRE	1,1015,18	1	SA
31-9	DB93-14237A	ASSY CONNECTOR WIRE-COMM	2,1007,22,BLU,Y	1	SA
31-10	DB92-03777A	ASSY PCB SUB	SUB,48.5*60,N,COMM PBA,DRED	1	SA
31-11	DB93-14275A	ASSY CONNECTOR WIRE-POWER	2,1015,22,BRN,	1	SA
31-12	DB27-00041B	COIL HARMONIC	5mH,94.5*94*55,10A,Screw	1	SA
31-13	DB65-00298B	TERMINAL BLOCK	11R RAC-INVERTER,P.B.T +	1	SA
31-14	DB93-14277B	ASSY CONNECTOR WIRE-DC SIGNAL	3,1007,22,	1	SA
31-15	DB92-02862A	ASSY MODULE	STD #4 SMPS,A3050,16W (5V 28	1	SA
31-16	DB93-09493F	ASSY CONNECTOR WIRE	2,1015,16,WHT,ST7305	1	SA
31-17	DB93-09497E	ASSY CONNECTOR WIRE	3,1015,16,RED,MG6250	1	SA
31-18	DB93-12121C	ASSY CONNECTOR WIRE	1,1015,18,YEL/GRN,17	1	SA
31-19	DB93-15742A	ASSY CONNECTOR WIRE-DC SIGNAL	2,1007,22,	1	SA
32	DB82-03005A	A/S ASSY-EEPROM OUT	AR012KSWSBWKNET,ET,NE	1	SA