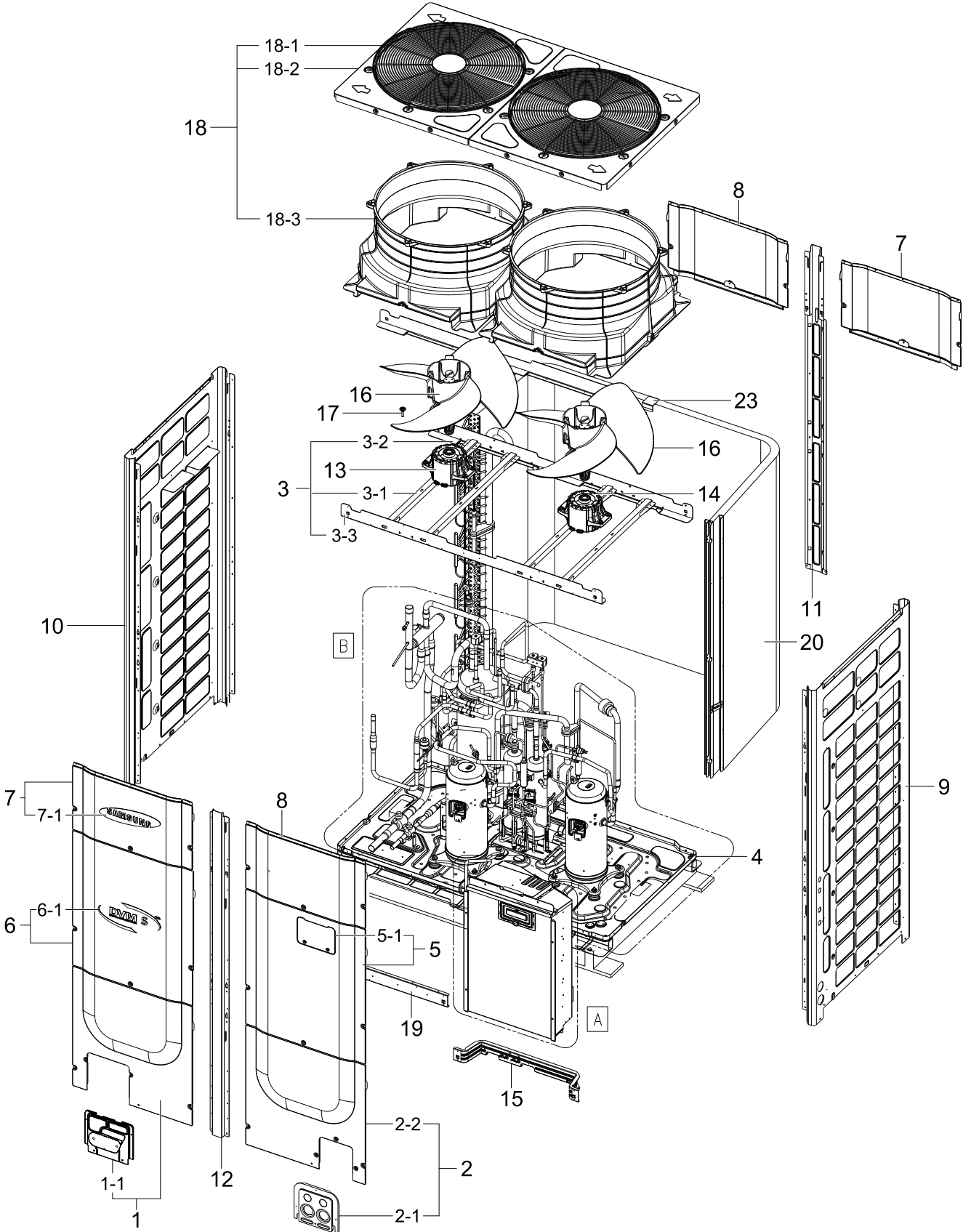


1. AM200JXVHGH/EU

Exploded View



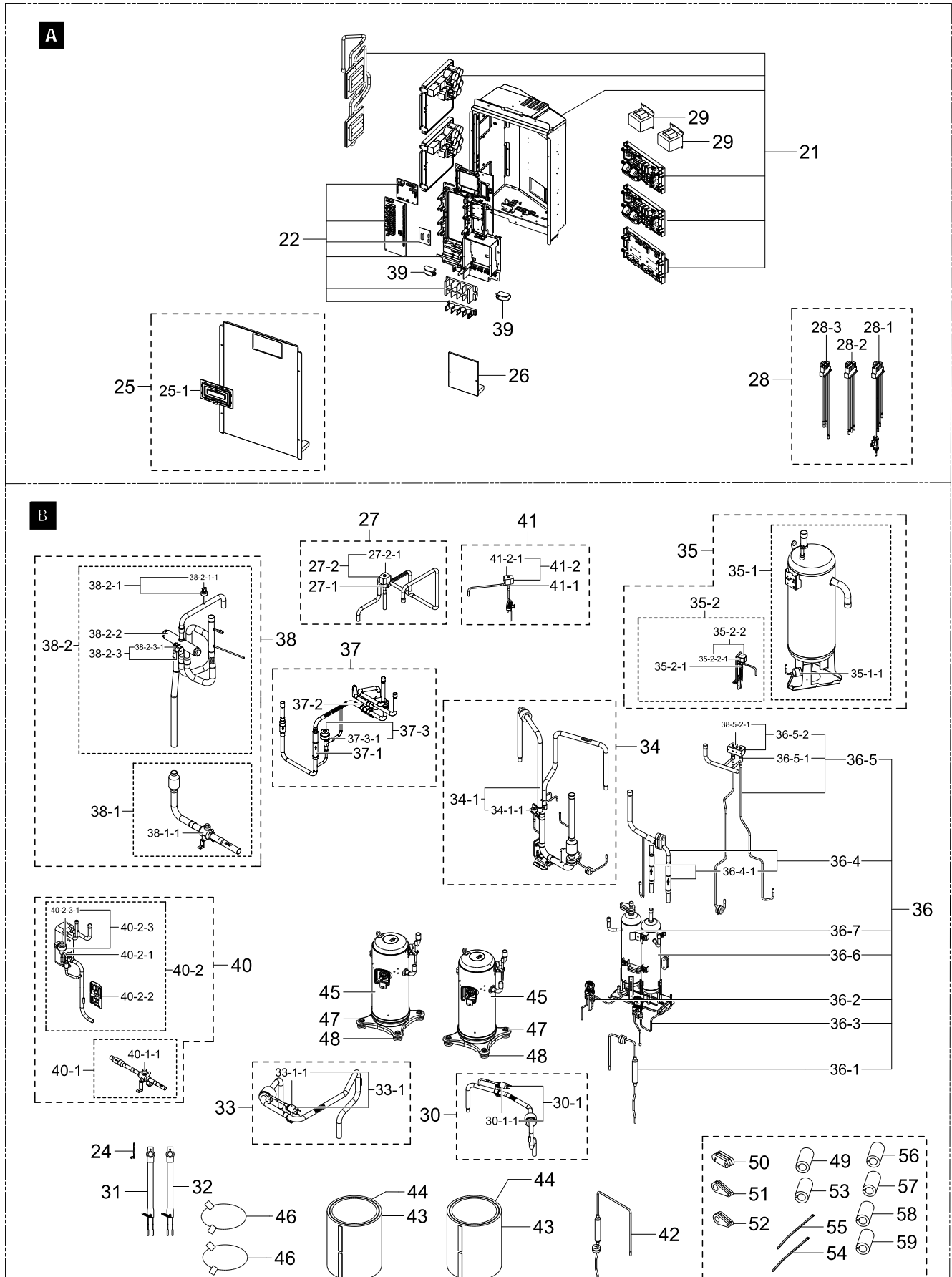
Parts List

No.	Lvl.	Loc.	Material Code	Description & Specification	SNA	Qty.
1	2	A3110	DB90-05194D	ASSY CABI FRONT-LOW LF; RD200HHXH2,DVM PL	SA	1
1-1	3		DB61-04537B	PLATE-COVER INSTALLATION; DVM PLUS4 UP,SE	SA	1
2	2	A0145	DB90-08803A	ASSY CABI FRONT; DVM S,ASSY,2	SA	1
2-1	3		DB63-01441B	COVER-PLATE; RVXVHT100H1,EGI-SECC,T0.8,-,	SA	1
2-2	3	A3109	DB90-05193F	ASSY CABI FRONT-LOW RH; ADX200VGHHA1,DVM	SC	1
3	2	A2803	DB90-08893A	ASSY BRACKET MOTOR; DVM S,20HP	SNA	1
3-1	3	B0516	DB61-02255A	BRACKET MOTOR; DVM PLUS 2,SGHC_HGI,2.3,10	SA	4
3-2	3	A3102	DB90-05223A	ASSY-BACK BEAM UP 20HP; DVM PLUS4	SA	1
3-3	3	A2444	DB90-05224C	ASSY-FRONT BEAM UP 20HP; 20HP,DVM INVERTE	SA	1
4	2	A0110	DB90-07053B	ASSY BASE-OUTDOOR 20HP; DVM S EU,20HP	SA	1
5	2	A3111	DB90-05195B	ASSY CABI FRONT-MID RH 20HP; RD200HHXH1,D	SA	1
5-1	3		DB63-02406B	COVER-WINDOW DISPLAY; DVM PLUS 4,EGI-SECC	SA	1
6	2	A3112	DB90-05197E	ASSY CABI FRONT-MID LF 20HP; ADX200VGHHB1	SA	1
6-1	3		DB98-34406B	ASSY-LABEL LOGO DVM S; DVM S	SA	1
7	2	A3113	DB90-05199C	ASSY CABINET-UPPER LF 20HP; RD200HHXH1,DV	SA	2
7-1	3	L0084	DB98-08770C	ASSY-LOGO SAMSUNG; 300, PVC T0.1	SA	2
8	2	A3113	DB90-05199E	ASSY CABINET-UPPER LF 20HP; RD200HHXH1,DV	SA	2
9	2	A0206	DB90-05200C	ASSY CABINET-SIDE RH 20HP; RD200HHXH2,DVM	SA	1
10	2	A0204	DB90-05201C	ASSY CABINET-SIDE LF 20HP; RD200HHXH2,DVM	SA	1
11	2	A3114	DB90-05218B	ASSY CABINET-BEAM BACK 20HP; RD200HHXH1,D	SA	1
12	2	A3115	DB90-05219C	ASSY CABINET-BEAM FRONT 20HP; RD200HHXH1,	SA	1
13	2		DB31-00651B	MOTOR BLDC FAN; DAO165560ZRI-A/SEC,1200,3	SA	1
14	2		DB31-00652B	MOTOR BLDC FAN; DAO165560ZRJ-A/SEC,1200,3	SA	1
15	2	A3116	DB90-05225G	ASSY-FRONT BEAM CONTROL BOX 20HP; DVM PLU	SA	1
16	2		DB94-03285B	ASSY FAN PROPELLER; DVM PLUS 4,575 PI, BL	SA	2

No.	Lvl.	Loc.	Material Code	Description & Specification	SNA	Qty.
17	2	C0212	6011-001183	BOLT-FLANGE; M6,L30,ZPC(WHITE),SWRCH18A	SA	8
18	2	A2633	DB90-08335A	ASSY COVER TOP; AM200FXVSHH1	SA	2
18-1	3	G0153	DB63-03606A	GUARD FAN; AM200FXVSHH1,MSWR-SWRM,EARTH B	SA	2
18-2	3	C1121	DB63-03607A	COVER TOP; AM200FXVSHH1,EGI-SECC,T1.0,W76	SA	2
18-3	3		DB61-06203A	GUIDE AIR; AM200FXVSHH1,PP,TB72U,EARTH BR	SA	2
19	2		DB90-05867B	ASSY-FRONT BEAM POWER BOX; RD200HHXH2,DVM	SA	1
20	2	A0590	DB96-20218A	ASSY COND OUT; AM200FXVSHH1,20HP	SA	1
23	2		DB61-04683A	HOLDER-COND; DVM PLUS 4 UP,GI-SGCC,T1.0,-	SNA	2

2. ASSY TUBE&CONTROL PART

Exploded View



Parts List

No.	Lvl.	Loc.	Material Code	Description & Specification	SNA	Qty.
21	2	A0700	DB93-13284A	ASSY CONTROL OUT-BOX; INV,INVERTER SCROLL	SNA	1
22	2		DB93-13285C	ASSY CONTROL-FRONT; R410A,INVERTER SCROLL	SNA	1
24	2	S0242	DB81-00635A	SPRING ETC-SENSOR; DVM-SYSTEM,STS304,R2.5	SA	7
25	2	A2788	DB90-06765B	ASSY COVER CONTROL-BOX; DVM S	SA	1
25-1	3	RB220	DB90-03829B	ASSY-WINDOW DISPLAY; RD***HHXH2,DVM PLUS	SA	1
26	2		DB90-07288A	ASSY COVER-POWER TERMINAL; DVM PLUS S	SA	1
27	2		DB96-16908B	ASSY TUBE BYPASS; DVM S	SA	1
27-1	3	V0038	DB62-07588A	VALVE SOLENOID; .-,5.8	SA	1
27-2	3	A2106	DB95-02052Z	ASSY-SOLENOID COIL; DVM+S	SA	1
27-2-1	4	V0039	DB62-07589B	VALVE COIL-SOLENOID; AC220-240V,1500,Sol,	SA	1
28	2	A3061	DB95-05010A	ASSY THERMISTOR-TOTAL; -,103HW,6P,2200,Dup	SA	1
28-1	3		DB95-04716D	ASSY-THERMISTOR WIRE; -,204CTB,6P,2200,Du	SA	1
28-2	3		DB95-04717D	ASSY-THERMISTOR WIRE; -,103HW,6P,1700,Dup	SA	1
28-3	3		DB95-04718D	ASSY-THERMISTOR WIRE; -,103HW,6P,1950,Dup	SA	1
29	2	C0607	DB27-00094A	COIL HARMONIC; 2mH,85.8*47.5	SA	2
30	2		DB96-16910A	ASSY TUBE DISCHARGE-B 20HP; DVM INVERTER	SA	1
30-1	3		DB95-04864B	ASSY-SWTICH PRESSURE; DVM INVERTER	SC	1
30-1-1	4	RJ101	DB34-00071B	SWITCH PRESSURE; AC 250V/DC 12V,AC 16A/DC	SA	1
31	2	AA565	DB95-00766V	ASSY COMP-HEATER; 230,62,1300,YDH236-02(W	SA	1
32	2	AA565	DB95-00766W	ASSY COMP-HEATER; 230,62,1300,YDH236-02((SA	1
33	2		DB96-16911A	ASSY TUBE DISCHARGE-A 20HP; DVM INVERTER	SA	1
33-1	3		DB95-04864C	ASSY-SWTICH PRESSURE; DVM INVERTER	SC	1
33-1-1	4	RJ101	DB34-00071B	SWITCH PRESSURE; AC 250V/DC 12V,AC 16A/DC	SA	1
34	2	A0045	DB96-16912B	ASSY TUBE SUCTION; DVM S,FILTERLESS TYPE,	SA	1
34-1	3		DB95-04866F	ASSY-SENSOR LOW PRESSURE COIL; DVM S,ADX2	SA	1

Exploded Views and Parts List

No.	Lvl.	Loc.	Material Code	Description & Specification	SNA	Qty.
34-1-1	4		DB32-00195A	SENSOR PRESSURE; Refrigerant,5,2.0MPa,200	SA	1
35	2		DB96-21251A	ASSY TUBE-ACCUMULATOR; DVM S	SNA	1
35-1	3	A0316	DB96-16928A	ASSY-ACCUMULATOR 20HP; DVM S,20HP	SA	1
35-1-1	4	T0128	DB62-11876A	TUBE-FILTER; DVM S,C1220T-H,T1.4,OD38.1,N	SA	1
35-2	3		DB96-16918A	ASSY TUBE-ACCUM OIL VALVE 20HP; DVM INVER	SA	1
35-2-1	4	V0038	DB62-04149A	VALVE SOLENOID; ,.1.9	SC	1
35-2-2	4		DB95-04865H	ASSY-OIL RETURN TUBE COIL; DVM S	SA	1
35-2-2-1	5	V0039	DB62-04150A	VALVE COIL SOLENOID; AC220-240V,2400,Sol,	SA	1
36	2		DB96-16921A	ASSY TUBE-OIL SEPARATOR; DVM INVERTER 2,2	SA	1
36-1	3		DB96-17648A	ASSY TUBE-VI 1COMP 20HP; ADX200VGHHA1,DVM	SA	1
36-2	3		DB96-16920A	ASSY TUBE-OIL RETURN A 20HP; DVM INVERTER	SA	1
36-3	3		DB96-16922A	ASSY TUBE CAPILLARY-OIL SEPARATOR; DVM IN	SA	1
36-4	3	A2893	DB96-16919A	ASSY TUBE CHECK-OIL SEPARATOR; DVM INVERT	SA	1
36-4-1	4	V0020	DB62-06188B	VALVE CHECK; ,.5/8", 1-1 PASS,1-1	SA	2
36-5	3	A2911	DB96-16913A	ASSY TUBE-VAPOR INJECTION 20HP; ADX200VGH	SA	1
36-5-1	4	V0038	DB62-07588A	VALVE SOLENOID; ,.-,5.8	SA	2
36-5-2	4	A2106	DB95-04555F	ASSY-SOLENOID COIL; DVM+S	SC	1
36-6	3		DB96-17640A	ASSY-OIL SEPARATOR D; DVM S	SA	1
36-7	3		DB96-17639A	ASSY-OIL SEPARATOR C; DVM S	SA	1
37	2		DB96-16923A	ASSY-TUBE EXPANSION VALVE 20HP; HP,R410A,	SA	1
37-1	3	V0020	DB62-06188B	VALVE CHECK; ,.5/8", 1-1 PASS,1-1	SA	1
37-2	3		DB90-07310A	ASSY BRACKET-EXPANSION FRONT; ADX200VGHHA	SA	1
37-3	3	A0498	DB96-14558E	ASSY-VALVE EXPANSION; HP,R410A,DVM PLUS S	SA	1
37-3-1	4		DB62-09643A	VALVE GEAR EXPAN; BRASS,8,2000,2500,8.0,2	SA	1
38	2		DB96-16924A	ASSY-TUBE 4WAY GAS BALL VALVE 20HP; HP,R4	SA	1
38-1	3	A3133	DB96-16914A	ASSY TUBE-GAS BALL VALVE 20HP; DVM INVERT	SA	1
38-1-1	4	A2865	DB62-07613A	VALVE SERVICE-BALL; ,.9/8",R410A, PIPE	SA	1
38-2	3		DB96-16925A	ASSY-TUBE 4WAY VALVE 20HP; HP,R410A,DVM I	SC	1
38-2-1	4	A3145	DB95-01549T	ASSY-SENSOR HIGH PRESSURE COIL; DVM+S	SNA	1
38-2-1-1	5	S0030	DB32-00194A	SENSOR PRESSURE; Refrigerant,5,5.0MPa,200	SA	1

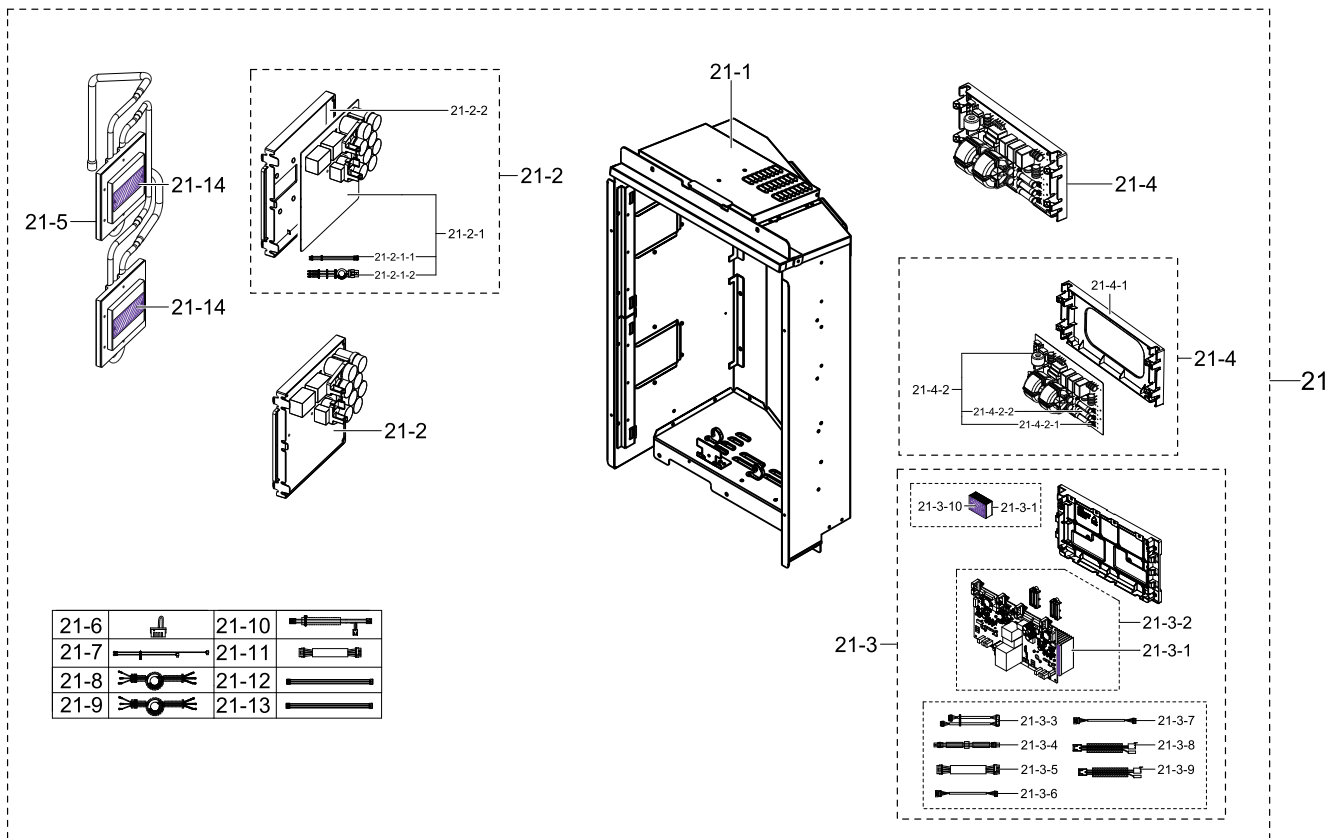
No.	Lvl.	Loc.	Material Code	Description & Specification	SNA	Qty.
38-2-2	4	V0010	DB62-08209A	VALVE 4WAY; ,.15HP,COMMON	SA	1
38-2-3	4	A2855	DB96-13291B	ASSY-4WAY VALVE COIL; DVM PLUS4,ASSY	SA	1
38-2-3-1	5	S0100	DB33-00047B	VALVE COIL SOLENOID; AC220-240V,2000,4way	SA	1
38-5-2-1	5	V0039	DB62-07589A	VALVE COIL-SOLENOID; AC220-240V,2000,Sol,	SA	2
39	2		DB61-05409A	HOLDER-CONTROL HINGE; DVM PLUS S,ABS,T2.5	SNA	1
40	2		DB96-21364A	ASSY TUBE SUBCOOLER-LIQUID; DVM S,20HP	SA	1
40-1	3	A3136	DB96-16907A	ASSY TUBE-LIQUID BALL VALVE 20HP; DVM INV	SNA	1
40-1-1	4	A2865	DB62-07617A	VALVE SERVICE-BALL; ,.5/8", R410A, PIPE	SA	1
40-2	3		DB96-21363A	ASSY TUBE SUBCOOLER; DVM S,20HP	SNA	1
40-2-1	4	V0001	DB62-04065A	VALVE EXPAN; SUS,1.65,500	SC	1
40-2-2	4		DB62-11717A	SEAL COVER; PE FOAM,GRAY,T10,W150	SA	1
40-2-3	4	A0016	DB96-13204K	ASSY-VALVE EXPAN COIL; DVM+S	SC	1
40-2-3-1	5		DB62-11205B	VALVE COIL EXPAN; DC12V,COIL,2000,15.45,M	SA	1
41	2		DB96-17081A	ASSY TUBE-HOT GAS; DVM INVERTER 2,12HP	SA	1
41-1	3	V0038	DB62-04149A	VALVE SOLENOID; ,.1.9	SC	1
41-2	3		DB95-04865G	ASSY-OIL RETURN TUBE COIL; DVM INVERTER	SA	1
41-2-1	4	V0039	DB62-04150A	VALVE COIL SOLENOID; AC220-240V,2400,Sol,	SA	1
42	2		DB96-17649A	ASSY TUBE-VI 2COMP 20HP; ADX200VGHHA1,DVM	SA	1
43	2		DB97-21129A	ASSY-CLOTH COMP SOUND 66 OUTER; DVM+S	SA	2
44	2		DB97-21130A	ASSY-CLOTH COMP SOUND 66 INNER; DVM+S	SA	2
45	2		DS-GB066FAVBSG	SCP,63F(SCROLL),F,R410A; SCP,63F(SCROLL),F,R410A		2
46	2		DB97-21133A	ASSY-CLOTH COMP SOUND TOP; DVM+S	SA	2
47	2	S0018	DB60-30028A	NUT-FLANGE; HWH,M8,ZPC(WHT),SWRCH18A,P1.2	SA	2
48	2		DB63-03269A	GROMMET-COMP INVERTER; NR	SA	8
49	2		DB62-03808D	INSULATION-HOLDER SENSOR; PP FOAM+PE FOAM	SNA	3
50	2		DB73-00533A	RUBBER-SUPPORT 7 7 42; DVM PLUS4,CR,BLK	SNA	1
51	2		DB61-05574A	SUPPORT-RUBBER; ADX200VGHHA1,CR RUBBER,50	SNA	1
52	2		DB61-05571A	SUPPORT-RUBBER; CR RUBBER,50,BLACK,22.22-	SNA	1

Exploded Views and Parts List

No.	Lvl.	Loc.	Material Code	Description & Specification	SNA	Qty.
53	2		DB62-04154C	INSULATION-HOLDER WIRE; PP FOAM+PE FOAM,8	SNA	1
54	2		6501-001110	CABLE TIE; T1.2,4.8,200,NYLON66	SNA	8
55	2		6501-001107	CABLE TIE; T1.5,4.8,368,BLK,NYLON66	SNA	3
56	2		DB62-03808A	INSULATION-HOLDER SENSOR; PP FOAM+PE FOAM	SNA	1
57	2		DB62-03808C	INSULATION-HOLDER SENSOR; PP FOAM+PE FOAM	SNA	1
58	2		DB62-03808E	INSULATION-HOLDER SENSOR; PP FOAM+PE FOAM	SNA	1
59	2		DB62-04154B	INSULATION-HOLDER WIRE; PP FOAM+PE FOAM	SNA	1

3. ASSY CABINET-CONTROL BOX

Exploded View



Parts List

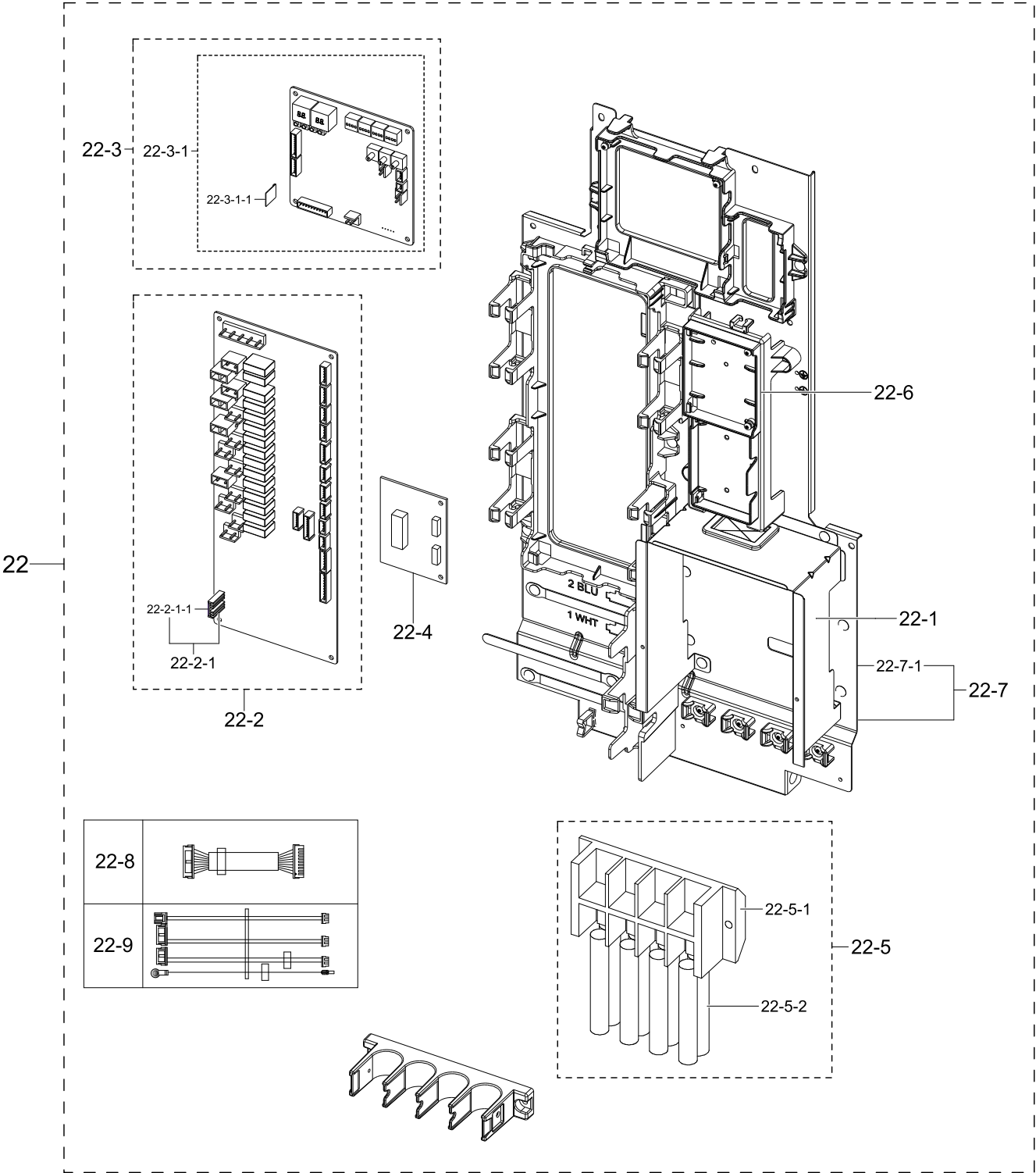
No.	Lvl.	Loc.	Material Code	Description & Specification	SNA	Qty.
21	2	A0700	DB93-13284A	ASSY CONTROL OUT-BOX; INV,INVERTER SCROLL	SNA	1
21-1	3	A3143	DB90-07099A	ASSY CABINET-CONTROL BOX; DVM PLUS S	SA	1
21-2	3		DB92-03527A	ASSY KIT; OUTDOOR,13K_DVM_12K-DVMINV,DVM	SA	2
21-2-1	4		DB92-03526A	ASSY PCB INVERTER; INVERTER,13K_DVM_12K-D	SA	2
21-2-1-1	5	A2610	DB93-12380A	ASSY CONNECTOR WIRE-REACTOR; 2,3321,12,WH	SA	2
21-2-1-2	5	A0664	DB93-11492B	ASSY CONNECTOR WIRE-POWER; 3,1015,12,BRN,	SA	2
21-2-2	4		DB61-04920A	CASE-INVERTER PCB; DVM INVERTER,ABS,T2.5,	SA	2
21-3	3		DB92-03341A	ASSY KIT; OUTDOOR,14K_DVM_AM9000H,SUB, 26	SA	1
21-3-1	4	H0034	DB62-11895A	HEAT SINK; AM9000HT,A1,5,72,102,Aluminium	SA	2
21-3-2	4		DB92-03339A	ASSY PCB INVERTER; INVERTER,14K_DVM_AM900	SA	1

Exploded Views and Parts List

No.	Lvl.	Loc.	Material Code	Description & Specification	SNA	Qty.
21-3-3	4		DB93-11485A	ASSY CONNECTOR WIRE-BLDC COMM; 8,2095,26,	SA	1
21-3-4	4	A0664	DB93-11491B	ASSY CONNECTOR WIRE-POWER; 2,1015,14,YEL,	SA	1
21-3-5	4		DB93-11520C	ASSY CONNECTOR WIRE-HUB INVERTER COMM; 4,	SA	1
21-3-6	4	A3118	DB93-11906A	ASSY CONNECTOR WIRE-BLDC HALL; 6,2095,24,	SA	1
21-3-7	4	A3118	DB93-11906B	ASSY CONNECTOR WIRE-BLDC HALL; 6,2095,24,	SA	1
21-3-8	4	A0657	DB93-15168A	ASSY CONNECTOR WIRE-MOTOR; 3,1015,18,RED,	SA	1
21-3-9	4	A0657	DB93-15168B	ASSY CONNECTOR WIRE-MOTOR; 3,1015,18,RED,	SA	1
21-3-10	4		0205-000178	GREASE-SILICON; YG6111,WHITE, for assembl	SA	0
21-4	3		DB93-12089C	ASSY CONTROL-EMI; HP,INV,40A,DVM PLUS S,A	SA	2
21-4-1	4		DB61-04921A	CASE-EMI PCB; DVM INVERTER,ABS,T2.5,BLACK	SA	2
21-4-2	4	A1781	DB93-13529A	ASSY PCB SUB-EMI; SUB,DVM S,230*130,230V(SA	2
21-4-2-1	5		3602-001074	FUSE-BLOCK; 600V,60A	SA	6
21-4-2-2	5		3601-001816	FUSE-ETC; 690VAC,40A,TIME-LAG,FIBER,77x17	SA	6
21-5	3		DB96-17068B	ASSY TUBE-MAIN COOLING; AM200FXVGGH1,DVMS	SA	1
21-6	3		DB93-12405A	ASSY CONNECTOR WIRE-INVERTER SHORT; 1,156	SA	1
21-7	3		DB93-13226A	ASSY CONNECTOR WIRE-TOTAL POWER; 2,1015,1	SA	1
21-8	3		DB93-13282A	ASSY CONNECTOR WIRE-INVERTER COMP; 3,3321	SA	1
21-9	3		DB93-13282B	ASSY CONNECTOR WIRE-INVERTER COMP; 3,3321	SA	1
21-10	3		DB93-13412A	ASSY CONNECTOR WIRE-HUB HIGH PRESSURE; 4,	SA	1
21-11	3		DB93-11520B	ASSY CONNECTOR WIRE-HUB INVERTER COMM; 4,	SA	1
21-12	3		DB93-11522A	ASSY CONNECTOR WIRE-INV 220; 3,1015,18,BR	SA	1
21-13	3		DB93-11522B	ASSY CONNECTOR WIRE-INV 220; 3,1015,18,BR	SA	1
21-14	3		0205-000178	GREASE-SILICON; YG6111,WHITE, for assembl	SA	1

4. ASSY CONTROL-FRONT

Exploded View



Parts List

No.	Lvl.	Loc.	Material Code	Description & Specification	SNA	Qty.
22	2		DB93-13285C	ASSY CONTROL-FRONT; R410A,INVERTER SCROLL	SNA	1
22-1	3		DB90-07287B	ASSY PLATE-CONTROL; AM9000H	SA	1
22-2	3	A2748	DB92-03342A	ASSY PCB MAIN; MAIN,DVM S,295*112,220V~24	SA	1
22-2-1	4		DB94-05068A	ASSY HEAT SINK 1; MAIN,DVM S,295*112,220V	SNA	1
22-2-1-1	5		0205-000178	GREASE-SILICON; YG6111,WHITE, for assembl	SA	1
22-3	3	A2748	DB92-03340A	ASSY PCB MAIN; MAIN,14K_DVM_AM9000H,112*1	SA	1
22-3-1	4		DB94-05514A	ASSY PCB MANUAL; MAIN,14K_DVM_AM9000H,112	SNA	1
22-3-1-1	5		DB93-12483A	ASSY PCB SUB-EEPROM; SUB,DVMPLUS4 UP,20*2	SA	1
22-4	3		DB93-13404A	ASSY PCB SUB-SUB; SUB,DVM S,80*60,-,-,-,S	SA	1
22-5	3		DB95-05012A	ASSY-CONNECTOR WIRE TERMINAL B; DVM PLUS	SA	1
22-5-1	4	T0180	DB65-00232B	TERMINAL BLOCK-3PHASE; DVM PLUS 3,-,-,-,-	SA	1
22-5-2	4	A0664	DB93-13227A	ASSY CONNECTOR WIRE-POWER; 8,1015,12,BRN,	SA	1
22-6	3		DB61-05404A	CASE-TERMINAL 6P; DVM S,ABS,T2.5,BLACK	SA	1
22-7	3		DB90-07100A	ASSY-PLATE CONTROL FRONT; DVM PLUS S	SA	1
22-7-1	4		DB61-05401A	PLATE-CONTROL BOX FRONT; SGCC-M,1.0,DVM P	SA	1
22-8	3		DB93-11521B	ASSY CONNECTOR WIRE-DC SIGNAL; 9,2095,26,	SA	1
22-9	3		DB93-13184A	ASSY CONNECTOR WIRE-OUTDOOR COMM; 7,1569,	SA	1