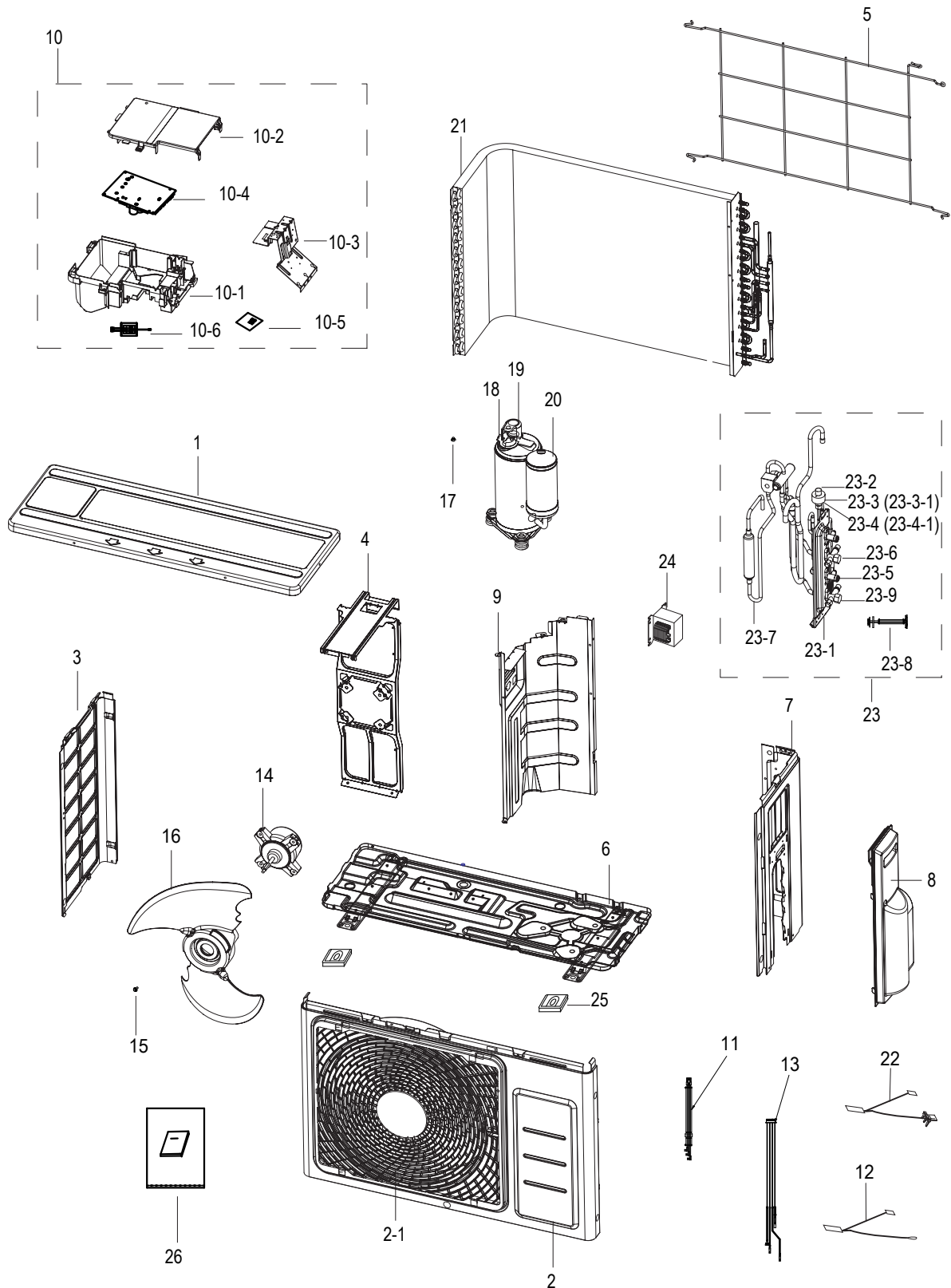


Outdoor Unit

AJ050FCJ2EH/E



NO	Parts. Code	Parts. Description	Spec.	QT' Y	SA/SNA
1	DB90-07138A	ASSY CABINET-UPPER	AQ18UUBMID, RAC, SSEC	1	SA
2	DB90-07137B	ASSY CABI FRONT	AQ18UUBMID, RAC, SSEC	1	SA
2-1	DB63-02588B	GUARD FAN	SI-PJT, PP, T2. 5, 512. 2, 459. 2, SSE	1	SA
3	DB90-05857A	ASSY CABI LF	AQ18UUBMID, SSEC	1	SA
4	DB90-06219D	ASSY BRACKET MOTOR	RJ040F2HXEA	1	SA
5	DB90-07144A	ASSY-SCREEN COND BAR	SI-PJT, SSEC	1	SA
6	DB90-07141A	ASSY BASE OUT	maldives1, SSEC	1	SA
7	DB90-07454A	ASSY CABINET-SIDE RH	RAC, SSEC	1	SA
8	DB90-07455A	ASSY COVER-VALVE	SI, SSEC	1	SA
9	DB94-02998B	ASSY PARTITION;SI-PJT, SSEC	SI-PJT, SSEC	1	SA
10	DB93-13815A	ASSY CONTROL OUT-SI PJT	HP, inv, AJ040FCJ2	1	SNA
10-1	DB61-04877A	CASE CONTROL-OUT	PC+ABS, 106. 6, 257. 8, GRAY	1	SNA
10-2	DB61-04885A	CASE CONTROL-UPPER	PC+ABS, 174. 9, 233. 9	1	SNA
10-3	DB93-12207C	ASSY-T/B PLATE	HP, RJ040F2HXEA, T/B PLATE	1	SNA
10-4	DB93-13183B	ASSY PCB MAIN-OUT	JUNGFRAU-PJT, OUT, SI2-	1	SA
10-5	DB93-11285A	ASSY PCB SUB-OUT	FJM2, 4kW/5kW, SSEC, SI, N	1	SA
10-6	DB95-01040E	ASSY-NOISE ABSORBER	Forte2-INV, ASSY	1	SA
11	DB93-11416A	ASSY CONNECTOR WIRE-COMP	FJM2 SI 4/5K, SS	1	SA
12	DB95-04652A	ASSY THERMISTOR-SUB IN OUT	CAC, ASSY	1	SA
13	DB95-04637C	ASSY THERMISTOR OUT	RJ040F2HXEA, SSEC	1	SA
14	DB31-00564A	MOTOR FAN	FMA6531SSB, SI-PJT, 500mA, 40W, 31	1	SA
15	DB60-30020A	NUT-HEXAGON FLANGE	M6, Zn-Ni, MSWR3, CLOCKW	1	SNA
16	DB94-02657A	ASSY FAN-PROPELLER	INV, SSEC	1	SA
17	6021-001142	NUT-HEXAGON FLANGE	M5, ZPC (YEL) , SWCH10A	1	SNA
18	DB63-01416C	GASKET	A/C model, SIR, T1. 2, 25. 0, L55, A/C m	1	SNA
19	DB63-02312A	COVER TERMINAL	39F, 44F, 48F, SABICN1250, 2.	1	SA
20	UG4T150FUDJQDO	RCP, 44, F, R410A	RCP, 44, F, R410A	1	SA
21	DB96-15360A	ASSY COND	RJ050F2HXEA, SSEC	1	SA
22	DB95-04652A	ASSY THERMISTOR-SUB IN OUT	CAC, ASSY	1	SA
23	DB96-15308B	ASSY-VALVE TOTAL	RJ040F2HXEA, SSEC	1	SNA
23-1	DB96-15310B	ASSY-VALVE	SI FJM	1	SNA
23-2	DB62-04064A	VALVE EXPAN	SUS, 500, 1. 3	1	SA
23-3	DB96-07562A	ASSY-EXPANSION COIL	MH060, SSEC	1	SA
23-3-1	DB62-04067B	VALVE-COIL EXPAN	500, DC12V	1	SA
23-4	DB96-07562B	ASSY-EXPANSION COIL	MH060, FJM SSEC	1	SA
23-4-1	DB62-04067A	VALVE-COIL EXPAN	1000, DC12V	1	SA
23-5	DB62-09652A	VALVE SERVICE-SPINDLE	1/4", R410A , FLA	2	SA
23-6	DB62-09654A	VALVE SERVICE	3/8", C3771, K-Type, 4. 2MPa, R	1	SA
23-7	DB96-15309A	ASSY-4WAY VALVE	RJ050F2HXEA, SSEC	1	SA
23-8	DB95-04651B	ASSY THERMISTOR-OLP	RJ040F2HXEA, SSEC	1	SA
23-9	DB62-09656A	VALVE SERVICE	1/2", C3771, K-Type, 4. 2MPa, R	1	SA
24	DB27-00042B	COIL CHOKE	Forte, 5mH, 10%, 120mOHM, , 10A, 94	1	SC
25	DB73-20134A	RUBBER-LEG	NBR, BLACK	4	SA
26	DB97-21827B	ASSY PRINT OUT PARTS	HP, AJ040FCJ2EH/EU, S	1	SNA