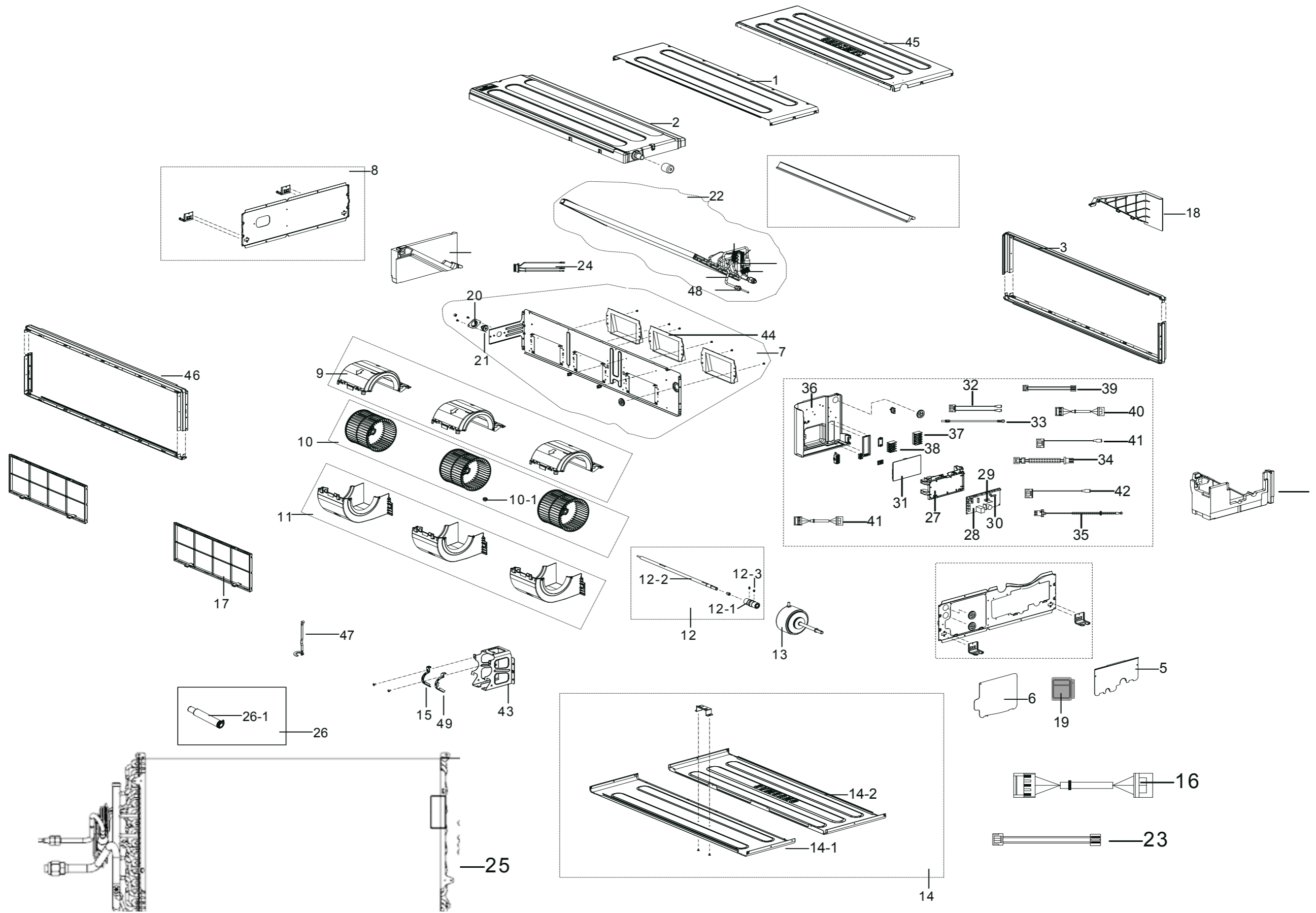


Indoor Unit
■ AC100MNMDKH/EU



Parts List(AC100MNMDKH/EU)

No.	Code No.	Description	Specification	QTY	SA/SA
1	DB64-03021A	CABINET-BOTTOM FAN	GLOBAL DUCT,GI-SGCC,T	1	SA
2	DB94-04348A	ASSY DRAIN-PAN	Global Duct,SSEC	1	SA
3	DB90-07909A	ASSY CABINET-FRAME	Global Duct,SSEC	1	SA
4	DB90-07905A	ASSY COVER-PIPE	Global Duct,SSEC	1	SA
5	DB90-07904A	ASSY CABI SIDE-RIGHT	Global Duct,SSEC	1	SA
6	DB63-03544A	COVER CONTROL	Global Duct,GI-SGCC,T0.8,-	1	SA
7	DB94-04344A	ASSY PARTITION	Global Duct,SSEC	1	SA
8	DB90-07903A	ASSY CABI SIDE-LEFT	Global Duct,SSEC	1	SA
9	DB90-07916A	ASSY CASE FAN-BOTTOM	Global Duct,SSEC	3	SA
10	DB94-04138A	ASSY BLOWER	AC-F410G,180PI	3	SA
10-1	DB60-20011A	BOLT-SPECIAL	L10,M6	5	SA
11	DB90-07917A	ASSY CASE FAN-TOP	Global Duct,SSEC	3	SA
12	DB90-07867A	ASSY SUPPORT-FAN	GLOBAL-DUCT	1	SA
12-1	DB73-00285A	RUBBER-SHAFT	SLIM DUCT-3,NBR,SSEC	1	SA
12-2	DB96-04902A	ASSY-COUPLER	SLIM DUCT 2,SSEC	1	SA
13	DB31-00640B	MOTOR BLDC FAN	SIC-70CW-F1153-3S,310V,15	1	SA
14	DB90-07907A	ASSY CABI TOP	Global Duct,SSEC	1	SA
14-1	DB64-03020A	CABINET-TOP FAN	GLOBAL DUCT,GI-SGCC,T0.6	1	SNA
14-2	DB64-03028A	CABINET-TOP EVAP	GLOBAL DUCT,GI-SGCC,T0.	1	SNA
15	DB61-05983A	HOLDER-MOTOR	GLOBAL DUCT,GI-SGCC,L155,-,	1	SA
16	DB39-01317B	CONNECT WIRE-DISP	10,BLK,SMH200-10H/WHT,	1	SA
17	DB61-05989A	CASE FILTER-PRE	GLOBAL DUCT,ABS,-,BLACK	2	SA
18	DB90-08063B	ASSY SUPPORT-EVAP	global duct,GD1&2,ASSY	1	SA
19	DB90-08487A	ASSY COVER-DRAIN	Global Duct	1	SA
20	DB67-00581A	CAP-BEARING	EH140EZMC,SGCC-M,T0.8,-,-,-	1	SA
21	DB94-00759A	ASSY-MOLD BEARING	SLIM DUCT 3,SSEC	1	SA
22	1404-001581	THERMISTOR-PTC	250ohm,25%,265Vac,2.7A,TP	1	SA
23	DB93-16171A	ASSY CONNECTOR WIRE-COMM	2,2095,24,RED,S	1	SA
24	DB95-05011A	ASSY THERMISTOR IN-EVA IN OUT	10Kohm±3%,	1	SA
25	DB96-23012A	ASSY EVAP-MAIN	AC090MNMDKH/EU,ASSY	1	SA
26	DB97-19364B	ASSY ACCESSORY-DUCT	SLIM DUCT 3,SSEC	1	SA
26-1	DB94-03287A	ASSY DRAIN-HOSE JOINT	CH140EAMC,SSEC	1	SA
27	DB61-05992A	CASE PCB	ABS,T2.0,-,V0,VE-0856	1	SA
28	DB92-03028D	ASSY PCB MAIN	MAIN,CAC BIG DUCT,190*90,Y	1	SA
29	DB92-02793A	ASSY FUNCTION	COMM,DVM NASA_CST,Y	1	SA
30	DB93-12483A	ASSY PCB SUB-EEPROM	SUB,DVMPUS4 UP,20*2	1	SA
31	DB92-04019A	ASSY PCB SUB	SUB,Global Duct,165*99,Y,22	1	SA
32	DB93-10809C	ASSY CONNECTOR WIRE-POWER	2,1015,18,BRN,	1	SA
33	DB93-14372A	ASSY CONNECTOR WIRE-MOTOR	3,1007,22,RED,	1	SA
34	DB93-11422C	ASSY CONNECTOR WIRE	2,1015,18,BRN,YH396-	1	SA
35	DB39-01108A	CONNECT WIRE-VENTILATOR&WATER HEATER	2,R	1	SA
36	DB61-05976A	CASE CONTROL	Global Duct,GI-SGCC,T0.7,-,	1	SA
37	DB65-00105M	TERMINAL BLOCK	MINI-DVM,PBT,1.5mm^2,58.4	1	SA
37	DB65-00326F	TERMINAL BLOCK	4P,PBT,BLK,1(L), 2(N), 1,	1	SA
39	DB93-13147C	ASSY CONNECTOR WIRE-EARTH	1,1015,18,YEL/	1	SA
40	DB93-13688B	ASSY CONNECTOR WIRE-DC SIGNAL	2,1007,24,	1	SA

Parts List(AC100MNMDKH/EU)

No.	Code No.	Description	Specification	Q'TY	SA/SA
41	DB93-14029C	ASSY CONNECTOR WIRE-DC SIGNAL	6,1007,22,	1	SA
42	DB95-05009D	ASSY THEMISTOR	10Kohm±3%,103HW,7P,350,UL	1	SA
43	DB61-05970A	BRACKET MOTOR	Global Duct,GI-SGCC,T1.8,-	1	SA
44	DB61-05904A	CASE BLOWER-OUT	HIPS,T2.5,BLACK,-,PH-88,	3	SA
45	DB90-08305A	ASSY CABI BOTTOM-EVAP	AC090HBHFKH/SA,GLO	1	SA
46	DB90-07909B	ASSY CABI IN-FRAME	Global Duct 2,SSEC	1	SA
47	DB81-00635A	SPRING ETC-SENSOR	DVM-SYSTEM,STS304,R2.5	2	SA
48	DB60-30010B	FASTENER-NUT FLARE	BRASS	1	SA
49	DB61-05984A	HOLDER-MOTOR	GLOBAL DUCT,GI-SGCC,L155,-,	1	SA