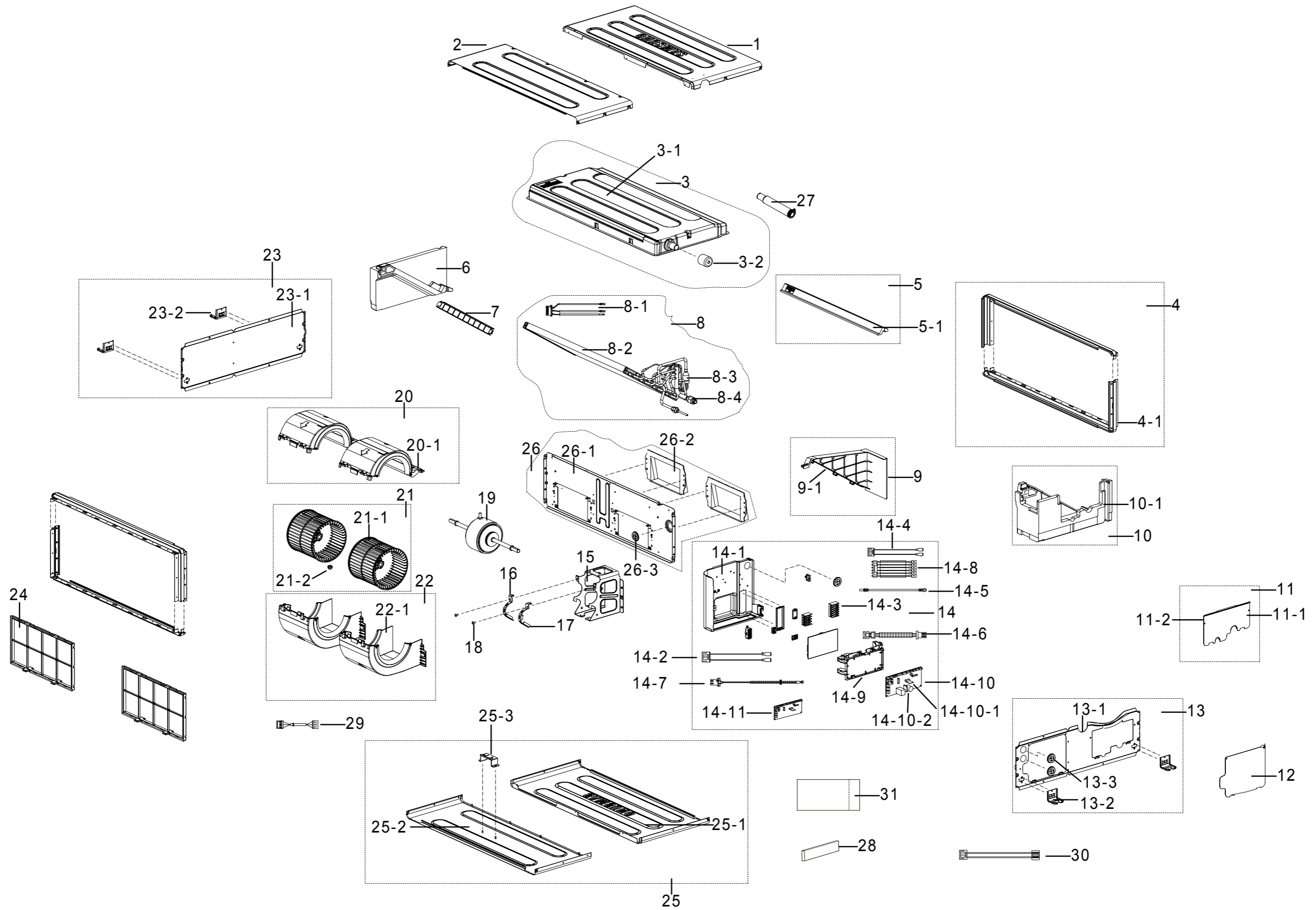


Indoor Unit : AC071HBMDKH



Parts List : AC071HBMDKH

No.	Code No.	Description	Specification	QTY	SA/SA
1	DB64-03027A	CABINET-BOTTOM EVAP	GLOBAL DUCT,GI-SGCC,	1	SNA
2	DB64-03019A	CABINET-BOTTOM FAN	GLOBAL DUCT,GI-SGCC,T	1	SNA
3	DB94-04349A	ASSY DRAIN-PAN	Global Duct,SSEC	1	SA
3-1	DB94-04190A	ASSY-CUSHION DRAIN	GLOBAL DUCT,ASSY	1	SNA
3-2	DB67-01427A	CAP-RUBBER	GLOBAL DCUT,EPDM,32,BLACK,OD3	1	SNA
4	DB90-07910A	ASSY CABINET-FRAME	Global Duct,SSEC	2	SA
4-1	DB64-03040A	CABINET FRAME	Global Duct,GI-SGCC,T1.0,-	4	SNA
5	DB98-34887A	ASSY CUSHION-FRONT	Global Duct,SSEC	1	SNA
5-1	DB62-11617A	SEAL CUSHION-FRONT	EPS,-,-,W41,L678,H34,	1	SNA
6	DB62-11614A	SEAL CUSHION-LEFT	EPS,-,-,W152,L390,H222	1	SNA
7	DB61-05995A	HOLDER EVAP	GLOBAL DUCT,HIPS,32,340,BLAC	1	SNA
8	DB96-19382A	ASSY EVAP UNIT	GD_1,FME	1	SNA
8-1	DB95-05011A	ASSY THERMISTOR IN-EVA IN OUT	10Kohm±3%,	1	SA
8-2	DB96-19378A	ASSY EVAP	GD_1,FME	1	SA
8-3	DB96-19298A	ASSY TUBE EVAP OUT	AC105HBMDKD/TS,AL+Cu	1	SNA
8-4	DB96-19301A	ASSY COLLECTOR IN	GD1,SSEC	1	SNA
9	DB90-07902A	ASSY SUPPORT-EVAP	Global Duct,SSEC,T2.5	1	SA
9-1	DB62-11810A	SEAL-SUPPORT EVAP	FLOCKED,BLACK,T0.5	1	SNA
10	DB98-34885A	ASSY CUSHION RIGHT	Global Duct,SSEC	1	SNA
10-1	DB62-11621A	SEAL CUSHION-RIGHT	EPS,-,-,W204,L390,H57	1	SNA
11	DB90-07905A	ASSY COVER-PIPE	Global Duct,SSEC	1	SA
11-1	DB62-11707A	SEAL-COVER PIPE	SPONGE+FOAM PE,GRAY,T20,	1	SNA
11-2	DB63-03543A	COVER PIPE	Global Duct,GI-SGCC,T0.6,-,-	1	SNA
12	DB63-03544A	COVER CONTROL	Global Duct,GI-SGCC,T0.8,-	1	SA
13	DB90-07904A	ASSY CABI SIDE-RIGHT	Global Duct,SSEC	1	SA
13-1	DB64-03037A	CABINET SIDE-RIGHT	Global Duct,GI-SGCC,T	1	SNA
13-2	DB61-05998A	SUPPORT	GLOBAL DUCT,GI-SGCC,T1.5,-	2	SNA
13-3	DB73-00270A	RUBBER-COVER WIRE B	MH020FDEZ,CR V0,BLAC	2	SNA
14	DB93-14867A	ASSY CONTROL IN	H/P,INV,N,OUT	1	SNA
14-1	DB61-05976A	CASE CONTROL	Global Duct,GI-SGCC,T0.7,-,	1	SA
14-2	DB39-01108A	CONNECT WIRE-VENTILATOR&WATER HEATER	2,R	1	SA
14-3	DB65-00105M	TERMINAL BLOCK	MINI-DVM,PBT,6-TAB_6-SCRE	1	SA
14-4	DB93-11422C	ASSY CONNECTOR WIRE	2,1015,18,BRN,YH396-	1	SA
14-5	DB93-08805A	ASSY CONNECTOR WIRE-EARTH	1,1015,18,YEL/	1	SA
14-6	DB93-13688B	ASSY CONNECTOR WIRE-DC SIGNAL	DVM NASA,2	1	SA
14-7	DB95-05009D	ASSY THEMISTOR	10Kohm±3%,103HW,7P,350,UL	1	SA
14-8	DB93-14029C	ASSY CONNECTOR WIRE-DC SIGNAL	6,1007,22,	1	SA
14-9	DB61-05992A	CASE PCB	ABS,T2.0,-,V0,VE-0856	1	SA
14-10	DB92-03028A	ASSY PCB MAIN	INDOOR,INV,AC-F410G_Global	1	SA
14-10-1	DB92-02770A	ASSY FUNCTION	COMM,DVM HYDRO KIT,33*40	1	SNA
14-10-2	DB93-12483A	ASSY PCB SUB-EEPROM	DVM PLUS4UP,DVM WATE	1	SA
14-11	DB92-03031A	ASSY PCB SUB	Drive for BLDC Motor,AC-F41	1	SA

No.	Code No.	Description	Specification	QTY	SA/SA
15	DB61-05970A	BRACKET MOTOR	Global Duct,GI-SGCC,T1.8,-	1	SNA
16	DB61-05983A	HOLDER-MOTOR	GLOBAL DUCT,GI-SGCC,L155,-,	1	SA
17	DB61-05984A	HOLDER-MOTOR	GLOBAL DUCT,GI-SGCC,L155,-,	1	SA
18	6001-000595	SCREW-MACHINE	PH,+,NO,M4,L20,ZPC(WHT),SW	1	SNA
19	DB31-00639A	MOTOR BLDC FAN	SIC-70CW-F1 153-2,1200,310	1	SA
20	DB90-07916A	ASSY CASE FAN-BOTTOM	Global Duct,SSEC	2	SA
20-1	DB61-05902A	CASE BLOWER-BOTTOM	HIPS,T2.0,BLK,-,PH-88	2	SNA
21	DB94-04138A	ASSY BLOWER	AC-F410G,180PI	2	SA
21-1	DB67-01419A	BLOWER	ABS-GF10	2	SNA
21-2	DB60-20011A	BOLT-SPECIAL	-,-,L10,-,M6,-,-,-	2	SA
22	DB90-07917A	ASSY CASE FAN-TOP	Global Duct,SSEC	2	SA
22-1	DB61-05903A	CASE BLOWER-TOP	HIPS,T2.5,BLACK,-,PH-88,	2	SNA
23	DB90-07903B	ASSY CABI SIDE-LEFT	Global Duct,SSEC	1	SA
23-1	DB64-03034A	CABINET SIDE-LEFT	Global Duct,GI-SGCC,T0	1	SNA
23-2	DB61-05998A	SUPPORT	GLOBAL DUCT,GI-SGCC,T1.5,-	2	SNA
24	DB63-01299H	FILTER-PRE	GD_1,ETC,SSEC	1	SNA
25	DB90-07908A	ASSY CABI TOP	Global Duct,SSEC	1	SA
25-1	DB64-03026A	CABINET-TOP EVAP	GLOBAL DUCT,GI-SGCC,T0.	1	SNA
25-2	DB64-03018A	CABINET-TOP FAN	GLOBAL DUCT,GI-SGCC,T0.6	1	SNA
25-3	DB61-05994A	SUPPORT-LOW	GLOBAL DUCT,GI-SGCC,T1.8,-	1	SNA
26	DB94-04345A	ASSY PARTITION	Global Duct,SSEC	1	SA
26-1	DB67-01422A	PARTITION	Global Duct,GI-SGCC,T1.2,-	1	SNA
26-2	DB61-05904A	CASE BLOWER-OUT	HIPS,T2.5,BLACK,-,PH-88,	2	SNA
26-3	DB73-00270A	RUBBER-COVER WIRE B	MH020FDEZ,CR V0,BLAC	1	SNA
27	DB94-03287A	ASSY DRAIN-HOSE JOINT	CH140EAMC,SSEC	1	SA
28	DB62-11712B	SEAL CUSHION-IN	EPS,WHITE,T25,W200	2	SNA
29	DB93-14372A	ASSY CONNECTOR WIRE-MOTOR	3,1007,22,RED,	1	SA
30	DB93-10809C	ASSY CONNECTOR WIRE-POWER	2,1015,18,BRN,	1	SA
31	DB97-03499C	ASSY-BAG SHEET	DUCT series,1500*1500,HDP	1	SA