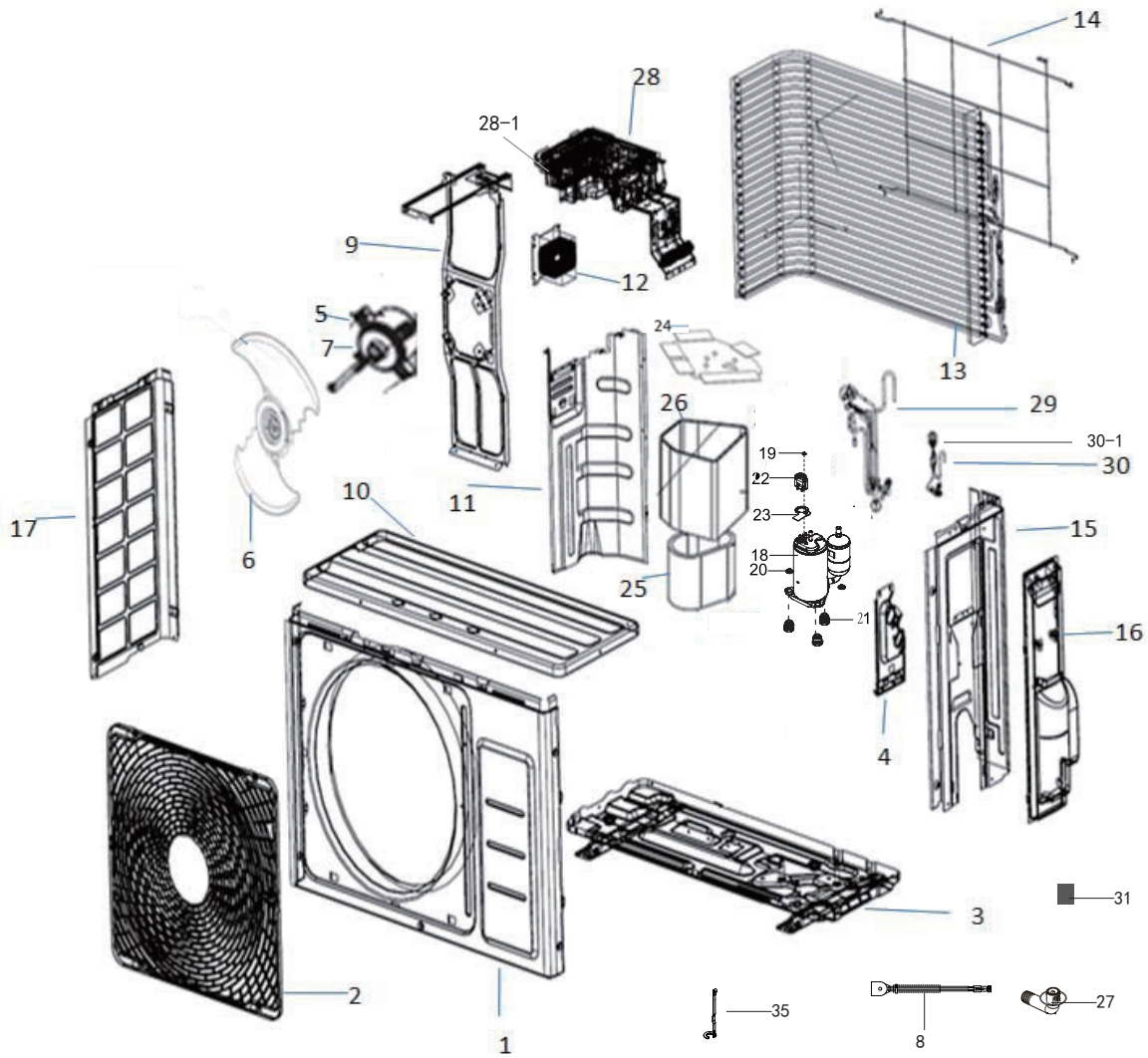


Outdoor Unit

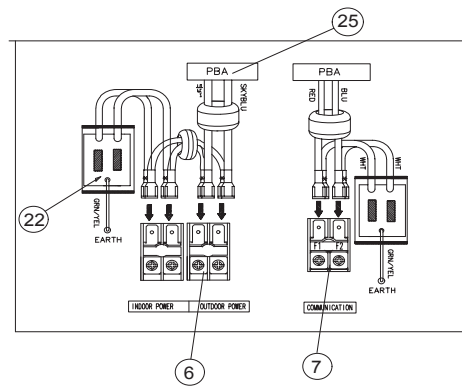
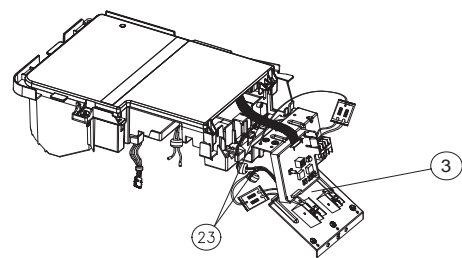
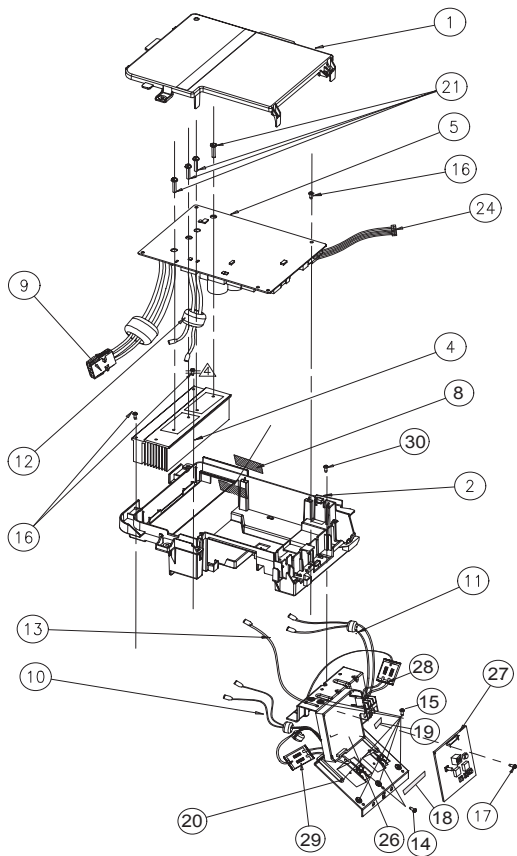
◆ AC052FCADFH



NO	Parts.Code	Parts.Description	Spec.	QT'Y	SA/SNA
1	DB90-07137B	ASSY CABI FRONT	AQ18UUBMID,SSEC	1	SA
2	DB63-03659A	GUARD FAN	PP,EARTH BROWN	1	SA
3	DB90-07141A	ASSY BASE OUT	AQ18UUBMID,SSEC	1	SA
4	DB90-05738B	ASSY BRACKET-VAVLE	INV,SGCC-M,1.2,WHITE,ssec	1	SA
5	DB31-00642B	MOTOR BLDC FAN	SIC-67FV-F139-1,310V,39W	1	SA
6	DB94-02657A	ASSY FAN-PROPELLER	INV,SSEC	1	SA
7	DB60-00437A	FASTENER-NUT FLANGE	SWRCH10A,14,1.2,6	1	SA
8	DB96-06998F	ASSY-SOLENOID COIL	WW3,SSEC	1	SA
9	DB90-06219D	ASSY BRACKET-MOTOR	GI-SGCC,1.2	1	SA
10	DB90-07138A	ASSY CABINET-UPPER	AQ18UUBMID,RAC,SSEC	1	SA
11	DB94-02998B	ASSY PARTITION	SI-PJT,SSEC	1	SA
12	DB27-00042B	COIL CHOKE-REACTOR	forte,5mH,5%,15A	1	SC
13	DB96-15137A	ASSY COND	HP,NO,2600w,R410A,RC026DHXEA,LCI.SSEC	1	SA
14	DB90-07144A	SCREEN-COND BAR	INV,HIPS,387.0,703.7,WHITE,SSEC	1	SA
15	DB90-07139F	ASSY-CABI SIDE RH	AC052FCADEH/EU,SSEC SI	1	SA
16	DB90-07140C	ASSY COVER-VALVE	AR12FSSYAWTXEU,SSEC,ASS	1	SA
17	DB90-05857A	ASSY CABI LF-COATING	AQ18UUBMID,SSEC	1	SA
18	UG4T150FUDJQDO	RCP,44,F,R410A	SSEC,CMP	1	SA
19	6021-001142	NUT-HEXAGON FLANGE	-,M5,ZPC(YEL),SWCH10A,SERRATION	1	SA
20	DB60-30028A	NUT-FLANGE	HWH,M8,ZPC(WHT),SWRCH18A,P1.25/Washer	3	SA
21	DB99-01032A	ASSY-GROMMET	INV P CHASSIS,SSEC	3	SA
22	DB63-02312A	COVER TERMINAL	39F,44F,48F,CEXP-0021C,2.5,BLACK,30.0	1	SA
23	DB63-01416C	GASKET	A/C model,SIR,T1.2,25.0,L55,A/C model use	1	SA
24	DB63-03330A	FELT-COMP UPPER OUT	SI-PJT,FELT+PVC,T5(FELT)+T1.6(PVC),215,205,	1	SNA
25	DB63-02992A	FELT-COMP SIDE	SI-PJT,FELT,T5,245,590,GRAY,SSEC	1	SNA
26	DB63-02955A	FELT-COMP SIDE OUT	SI-PJT,FELT+PVC,T5(FELT)+T1.6(PVC),330,760,	1	SNA
27	DB67-00477A	DRAIN-PLUG OUT	UH140GZMC,PP,WHITE,SSEC	1	SA
28	DB93-11286C	ASSY CONTROL OUT	HP,INV,4/5KW,SI	1	SNA
28-1	DB93-10952D	ASSY PCB MAIN-OUT	LCI,CAC,Y,SMPS	1	SA
28-2	DB93-13135A	ASSY PCB SUB	LCI,CAC,Y,SMPS	1	SA
29	DB96-17358A	ASSY-4WAY VALVE	HP,NO,5200w,R410A,RC052DHXEA,LCI.SSEC	1	SA
29-1	DB62-09656A	VALVE SERVICE	1/2"	1	SA
30	DB96-18285A	ASSY TUBE-EEV	AC052FCADEH/EU,SSEC	1	SA
30-1	DB62-04065A	VALVE-EXPANSION BODY	DPF(Q)1.65C-06-RK(E),-,500,DC12V,1/2,1.6mm	1	SNA
30-2	DB62-09652A	VALVE SERVICE	1/4"	1	SA
31	DB82-01377A	A/S ASSY-EEPROM	AC052FCADEH/EU	1	SA
32	DB93-11416B	ASSY CONNECTOR WIRE-COMP	RC052SHXEC	1	SA
33	DB95-04637C	ASSY THERMISTOR OUT	RC052SHXEC	1	SA
34	DB95-04651B	ASSY THEMISTOR-OLP	RC052SHXEC	1	SA
35	DB81-00635A	SPRING ETC-SENSOR	DVM-SYSTEM,STS304,R2.5	1	SA

ASS'Y CONTROL OUT

◆ AC052FCAD5H



NO	Parts.Code	Parts.Description	Spec.	QT'Y	SA/SNA
1	DB61-04885A	CASE CONTROL-UPPER	ABS+PC,174.9,233.9	1	SNA
2	DB61-04877A	CASE CONTROL-OUT	ABS+PC,106.6,257.8,GRAY	1	SNA
3	DB61-04903A	PLATE-CONTROL OUT TOTAL	GI-SGCC	1	SNA
4	DB62-10652A	HEAT SINK	FJM2 SI MODEL,AL,SCREW	1	SA
5	DB93-10952D	ASSY PCB MAIN-OUT	LCI,CAC,Y,SMPS	1	SA
6	DB65-00061H	TERMINAL BLOCK	FORTE-PJT,PBT,2-TAB	1	SA
7	DB65-00176H	TERMINAL BLOCK	EAGLE-INV,PBT,4-TAB_4-SCREW	1	SA
8	DB68-02809A	LABEL BAR CODE	45,15,E-PASS	1	SNA
9	DB93-09497A	ASSY CONNECTOR WIRE	SI,AWG16,COMP	1	SA
10	DB93-09495Q	ASSY CONNECTOR WIRE-POWER	RC052SHXEC	1	SNA
11	DB93-11420C	ASSY CONNECTOR WIRE-(SI 485	FJM2 SI 4/5KW,AWG22, RED/BLU	1	SNA
12	DB93-09493A	ASSY CONNECTOR WIRE	SI,AWG16, YEL	1	SA
13	DB93-12121B	ASSY CONNECTOR WIRE-EARTH	MALDIVE-PJT,SSEC	1	SA
14	6002-000555	SCREW-TAPPING	PH,+,NO,2S,M4,L25,ZPC(WHT),SWRCH18A	2	SNA
15	6009-001001	SCREW-SPECIAL	TH,+,WT,M4,L10,ZPC(WHT),SWRCH18A	6	SNA
16	6002-001117	SCREW-TAPPING	PH,+,-,2,M3,L8,ZPC(BLK),SWRCH18A,-	2	SNA
17	6002-000536	SCREW-TAPPING	PH,+,NO,2S,M4,L8,ZPC(WHT),STS304,-	1	SNA
18	DB98-32914F	ASSY-LABEL CAUTION	HP,FJM,T/B LABER	1	SNA
19	DB98-32914G	ASSY-LABEL CAUTION	HP,FJM,T/B LABER	1	SNA
20	DB93-12207D	ASSY-T/B PLATE	HP,LCI	1	SNA
21	DB91-00933A	ASSY-SCREW MACHINE	MH*, FJM,M3, L12	4	SNA
22	4719-002483	POWER MODULE	600V,20A,DIP,FPAB20BH60B,27	1	SA
23	DB65-10088B	CABLE-TIE	NYLON,T1.2,WHITE,L140MM	2	SNA
24	DB93-11272A	ASSY CONNECTOR WIRE-MAIN T	SI,AWG26	1	SNA
25	DB93-11419B	ASSY CONNECTOR WIRE-(POWER	RC052SHXEC	1	SNA
26	DB61-04755A	CASE-SUB PCB	ABS+PC	1	SNA
27	DB93-13135A	ASSY PCB SUB-OUT	RJ040F2HXEA,SSEC,SI,N	1	SA
28	DB95-01040E	ASSY-NOISE ABSORBER	Forte2-INV,ASSY	1	SA
29	DB93-10713A	ASSY CONNECTOR WIRE-SUB PB	EEV RAC,SSEC	1	SNA
30	6002-000527	SCREW-TAPPING	TH,+,NO,2S,M4,L10,ZPC(WHT),STS304	1	SNA