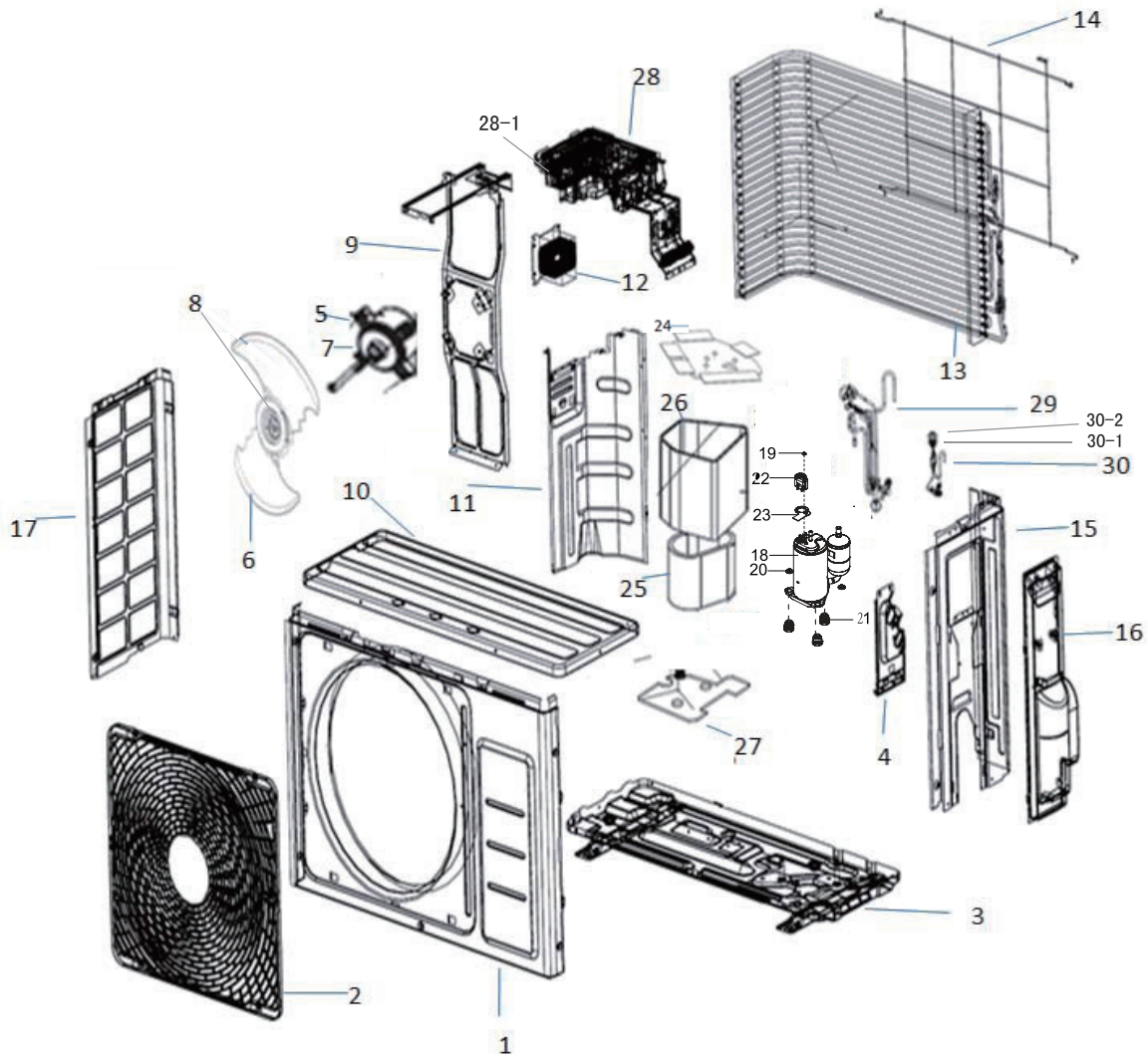


# Outdoor Unit

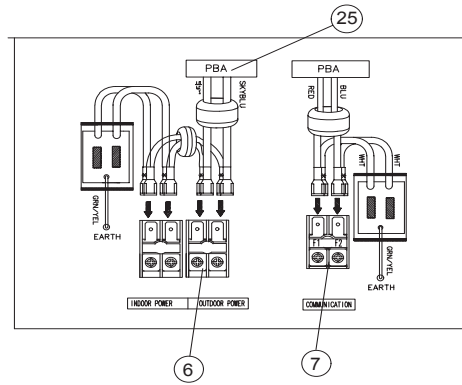
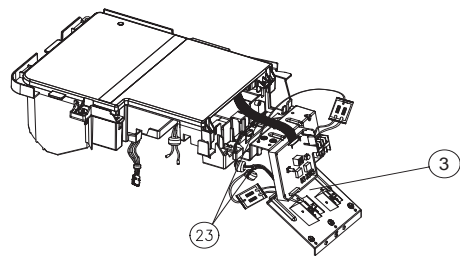
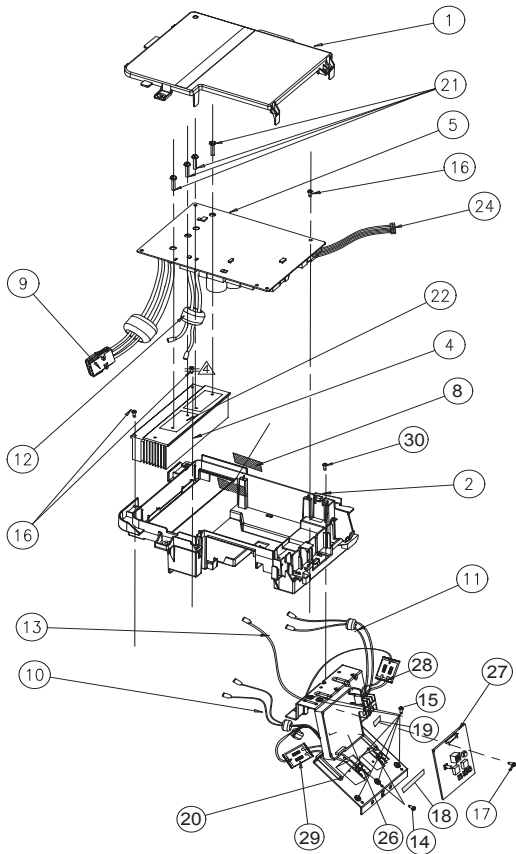
## ◆ AC026FCADFH



NO	Parts.Code	Parts.Description	Spec.	QT' Y	SA/SNA
1	DB90-07137B	ASSY CABI FRONT	AQ18UUBMID, SSEC	1	SA
2	DB63-02588B	GUARD FAN	SI-PJT, PP, T2. 5, 512. 2, 459. 3, SSEC	1	SA
3	DB90-07141A	ASSY BASE OUT	AQ18UUBMID, SSEC	1	SA
4	DB90-05738B	ASSY BRACKET-VAVLE	INV, SGCC-M, 1. 2, WHITE, ssec	1	SA
5	DB31-00564B	MOTOR FAN	FMA6531SSB, SI-PJT, 500mA, 60Hz, 40W, 310V, 900R	1	SA
6	DB94-02657A	ASSY FAN-PROPELLER	INV, SSEC	1	SA
7	DB60-30020A	SCREW-HEX	HEX, +, WP, M4, L12, NI_PLT, SWRCH18A, 2, PVC WASH	2	SNA
8	DB60-30020A	NUT-HEXAGON FLANGE	M6, Zn-Ni, MSWR3, CLOCKWISE	1	SNA
9	DB90-06219B	ASSY BRACKET-MOTOR	GI-SGCC, 1. 2	1	SA
10	DB90-07138A	ASSY CABINET-UPPER	AQ18UUBMID, RAC, SSEC	1	SA
11	DB94-02998B	ASSY PARTITION	SI-PJT, SSEC	1	SA
12	DB27-00041B	COIL CHOKE-REACTOR	forte, 5mH, 5%, 15A	1	SNA
13	DB96-15014B	ASSY COND	HP, NO, 2600w, R410A, RC026DHXEA, LCI. SSEC	1	SA
14	DB90-07144A	SCREEN-COND BAR	INV, HIPS, 387. 0, 703. 7, WHITE, SSEC	1	SA
15	DB90-07139A	ASSY CABI RH	AQ18UUBMID, RAC, SSEC	1	SA
16	DB90-07140A	ASSY COVER-VALVE	AQ18UUBMID, ASSY	1	SA
17	DB90-05857A	ASSY CABI LF-COATING	AQ18UUBMID, SSEC	1	SA
18	UG4C090LUDJR	RCP, 44, F, R410A	SSEC, CMP	1	SA
19	6021-001142	NUT-HEXAGON FLANGE	-, M5, ZPC (YEL), SWCH10A, SERRATION	1	SNA
20	DB60-30028A	NUT-FLANGE	HWH, M8, ZPC (WHT), SWRCH18A, P1. 25/Washer Type	3	SNA
21	DB99-01032A	ASSY-GROMMET	INV P CHASSIS, SSEC	3	SA
22	DB63-02312A	COVER TERMINAL	39F, 44F, 48F, CEXP-0021C, 2. 5, BLACK, 30. 0	1	SA
23	DB63-01416C	GASKET	A/C model, SIR, T1. 2, 25. 0, L55, A/C model use	1	SNA
24	DB63-03326A	FELT-COMP UPPER OUT	SI-PJT, FELT+PVC, T5 (FELT)+T1. 6 (PVC), 215, 205	1	SNA
25	DB63-03328A	FELT-COMP SIDE	SI-PJT, FELT, T5, 245, 590, GRAY, SSEC	1	SNA
26	DB63-02860A	FELT-COMP SIDE OUT	SI-PJT, FELT+PVC, T5 (FELT)+T1. 6 (PVC), 330, 760	1	SA
27	DB63-02864A	FELT-COMP BASE	SI, FELT, T5, 243. 3, 256, GRAY, SSEC	1	SA
28	DB93-11286C	ASSY CONTROL OUT	HP, INV, 4/5KW, SI	1	SA
28-1	DB93-10952D	ASSY PCB MAIN-OUT	LCI, CAC, Y, SMPS	1	SA
28-2	DB93-13135A	ASSY PCB SUB	LCI, CAC, Y, SMPS	1	SA
29	DB96-17551A	ASSY-4WAY VALVE	HP, NO, 2600w, R410A, RC026DHXEA, LCI. SSEC	1	SA
29-1	DB62-02284A	VALVE SERVICE	3/8"	1	SA
30	DB96-17526A	ASSY-EEV	HP, NO, 2600w, R410A, RC026DHXEA, LCI. SSEC	1	SA
30-1	DB62-04266A	VALVE-EXPANSION BODY	DPF (Q) 1. 65C-06-RK (E), -, 500, DC12V, 1/2, 1. 6mm	1	SA
30-2	DB62-05932B	VALVE-EXPANSION COIL	QA (A) 12-SXK-08-RK (E), ASSY, COMMON	1	SA
30-3	DB62-02283A	VALVE SERVICE	1/4"	1	SA
31	DB73-20134A	RUBBER-LEG	NBR, BLACK	4	SA
32	DB93-11416B	ASSY CONNECTOR WIRE-COMP	RC052SHXEC	1	SA
33	DB95-04637C	ASSY THERMISTOR OUT	RC052SHXEC	1	SA
34	DB95-04651B	ASSY THEMISTOR-OLP	RC052SHXEC	1	SA

# ASS'Y CONTROL OUT

## ◆ AC026FCAD5H



NO	Parts.Code	Parts.Description	Spec.	QT' Y	SA/SNA
1	DB61-04885A	CASE CONTROL-UPPER	ABS+PC, 174. 9, 233. 9	1	SNA
2	DB61-04877A	CASE CONTROL-OUT	ABS+PC, 106. 6, 257. 8, GRAY	1	SNA
3	DB61-04903A	PLATE-CONTROL OUT TOTAL	GI-SGCC	1	SNA
4	DB62-10652A	HEAT SINK	FJM2 SI MODEL, AL, SCREW	1	SNA
5	DB93-10952D	ASSY PCB MAIN-OUT	LCI, CAC, Y, SMPS	1	SA
6	DB65-00061H	TERMINAL BLOCK	FORTE-PJT, PBT, 2-TAB	1	SNA
7	DB65-00176H	TERMINAL BLOCK	EAGLE-INV, PBT, 4-TAB_4-SCREW	1	SNA
8	DB68-02809A	LABEL BAR CODE	45, 15, E-PASS	1	SNA
9	DB93-09497A	ASSY CONNECTOR WIRE	SI, AWG16, COMP	1	SNA
10	DB93-09495Q	ASSY CONNECTOR WIRE-POWER	RC052SHXEC	1	SNA
11	DB93-11420C	ASSY CONNECTOR WIRE-(SI 485 C	FJM2 SI 4/5KW, AWG22, RED/BLU	1	SNA
12	DB93-09493A	ASSY CONNECTOR WIRE	SI, AWG16, YEL	1	SNA
13	DB93-12121B	ASSY CONNECTOR WIRE-EARTH WIR	MALDIVE-PJT, SSEC	1	SNA
14	6002-000555	SCREW-TAPPING	PH, +, NO, 2S, M4, L25, ZPC (WHT), SWRCH18A	2	SNA
15	6009-001001	SCREW-SPECIAL	TH, +, WT, M4, L10, ZPC (WHT), SWRCH18A	6	SNA
16	6002-001117	SCREW-TAPPING	PH, +, -, 2, M3, L8, ZPC (BLK), SWRCH18A, -	2	SNA
17	6002-000536	SCREW-TAPPING	PH, +, NO, 2S, M4, L8, ZPC (WHT), STS304, -	1	SNA
18	DB98-32914F	ASSY-LABEL CAUTION	HP, FJM, T/B LABER	1	SNA
19	DB98-32914G	ASSY-LABEL CAUTION	HP, FJM, T/B LABER	1	SNA
20	DB93-12207D	ASSY-T/B PLATE	HP, LCI	1	SNA
21	DB91-00933A	ASSY-SCREW MACHINE	MH*, FJM, M3, L12	4	SNA
22	0205-001303	OIL-SILICON	SF9038A, OIL-SILICON, g	3	SNA
23	DB65-10088B	CABLE-TIE	NYLON, T1. 2, WHITE, L140MM	2	SNA
24	DB93-11272A	ASSY CONNECTOR WIRE-MAIN TO S	SI, AWG26	1	SNA
25	DB93-11419B	ASSY CONNECTOR WIRE-(POWER)	RC052SHXEC	1	SNA
26	DB61-04755A	CASE-SUB PCB	ABS+PC	1	SNA
27	DB93-13135A	ASSY PCB SUB-OUT	RJ040F2HXEA, SSEC, SI, N	1	SA
28	DB95-01040E	ASSY-NOISE ABSORBER	Forte2-INV, ASSY	1	SA
29	DB93-10713A	ASSY CONNECTOR WIRE-SUB PBA E	EEV RAC, SSEC	1	SNA
30	6002-000527	SCREW-TAPPING	TH, +, NO, 2S, M4, L10, ZPC (WHT), STS304	1	SNA