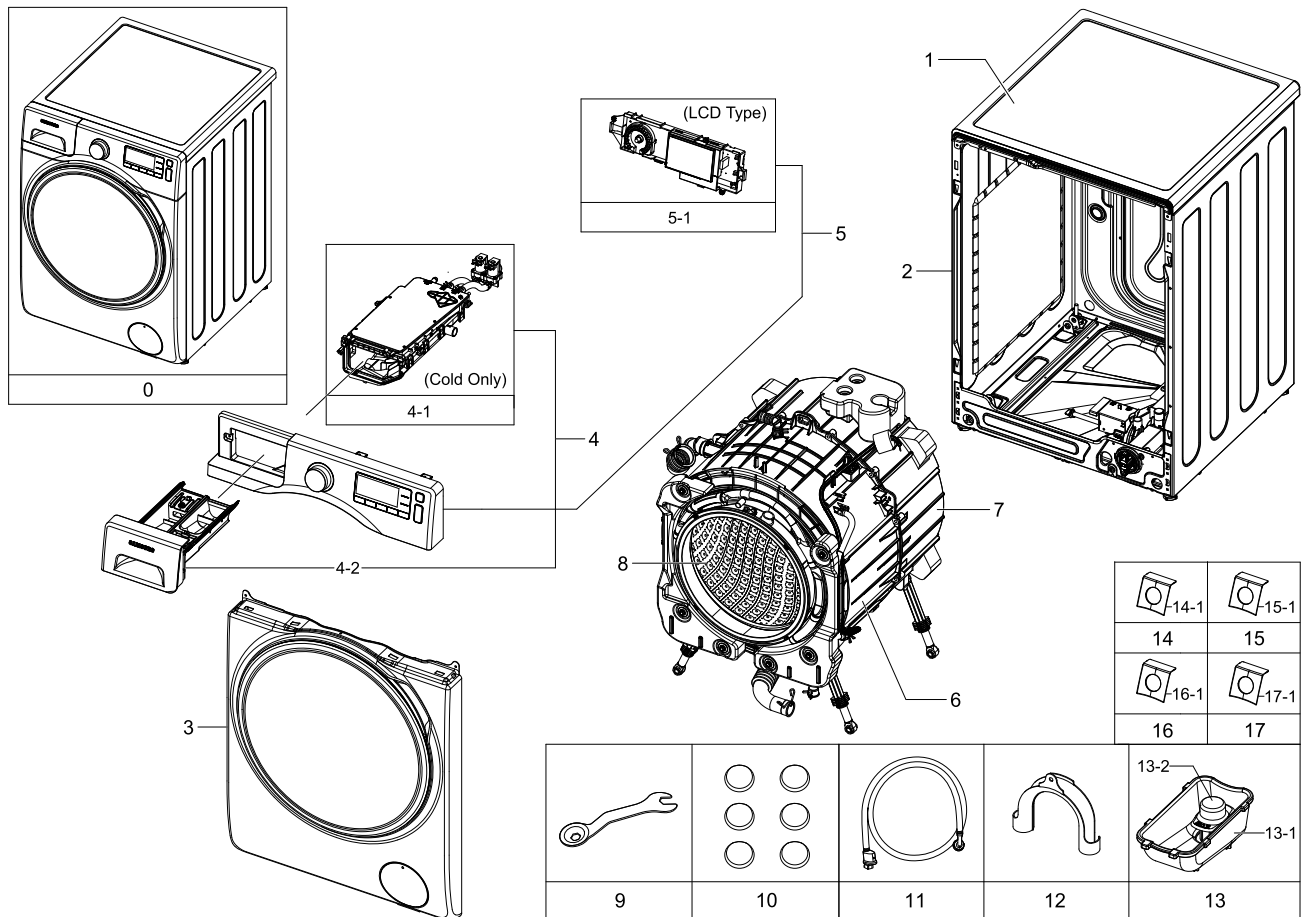


1. Main

Exploded View



Parts List

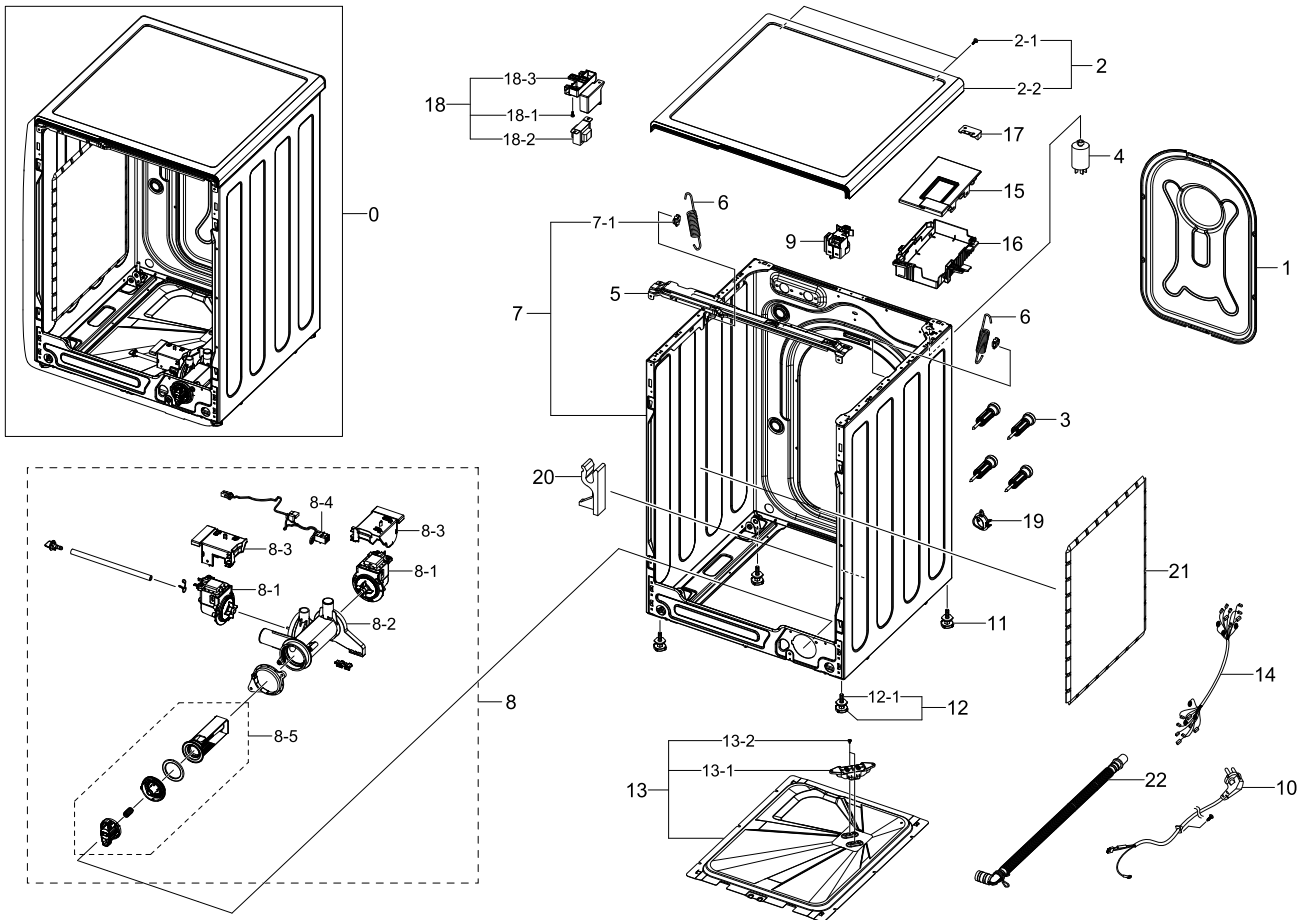
No.	Lvl.	Loc.	Material Code	Description & Specification	SNA	Qty.
1	1	WF0003	DC90-12995A	ASSY COVER TOP; ARNO	SNA	1
2	1	WF0004	DC90-15770A	ASSY FRAME; WW12H8400EW/EC	SNA	1
3	1	WF0009	DC90-15147A	ASSY FRONT; H800E	SNA	1
4	1	WR0005	DC90-15146A	ASSY DRAWER; H800E	SNA	1
4-1	2	WR0008	DC97-16643A	ASSY HOUSING DRAWER; ARNO,WF1124ZAC/XEF	SA	1
4-2	2	WR0005	DC97-18044A	ASSY DRAWER; H800E	SA	1
5	1	WC0016	DC90-15677A	ASSY PANEL CONTROL; WW12H8400EW/EE	SNA	1
5-1	2	WZ0025	DC92-01631A	ASSY PCB SUB; SUB PBA,WW-8000HE,230/50,LC	SA	1
6	1	WT0008	DC90-15149A	ASSY TUB FRONT; H800E	SNA	1
7	1	WT0007	DC90-11499A	ASSY TUB BACK; ARNO,WF1124XAC/XST	SNA	1
8	1	WG0004	DC90-15148A	ASSY DRUM; H800E	SNA	1
9	2	WJ5077	DC60-40146A	BOLT SPANER; CR,T2.5,-	SA	1

Exploded Views and Parts List

No.	Lvl.	Loc.	Material Code	Description & Specification	SNA	Qty.
10	2	WA5001	DC67-00307A	CAP-FIXER; WF438AAC/XAA,PP,T1.5,RECYCLE,B	SC	6
11	2		DC97-16947A	ASSY HOSE WATER; YUKON-GLOBAL,WF431	SC	1
12	2	WH5379	DC62-10278A	HOSE HANGER; PUMP MODEL,PP,BLACK	SA	1
13	2	WI0009	DC97-16128A	ASSY COVER DRAWER; SCOUT,WF0704L7W/XEF,PP	SC	1
13-1	3	WI0353	DC61-02581C	GUIDE LIQUID-MIDDLE; WF1802XEC,PP,T2.0,W6	SA	1
13-2	3	WI0108	DC67-00524A	CAP DRAWER; WF0804Y8E/XEF,PP,T2.0,W27,L43	SA	1
14	2		DC97-18316A	ASSY COVER PANEL; WW12H8400EW/EE,Danish,S	SNA	1
14-1	3		DC64-03134A	DECORATION PANEL; 8000E,ABS,-,DA WHITE	SA	1
15	2		DC97-18316B	ASSY COVER PANEL; WW12H8400EW/EE,Finnish,	SNA	1
15-1	3		DC64-03134A	DECORATION PANEL; 8000E,ABS,-,DA WHITE	SA	1
16	2		DC97-18316C	ASSY COVER PANEL; WW12H8400EW/EE,Norwegia	SNA	1
16-1	3		DC64-03134A	DECORATION PANEL; 8000E,ABS,-,DA WHITE	SA	1
17	2		DC97-18316D	ASSY COVER PANEL; WW12H8400EW/EE,Swedish,	SNA	1
17-1	3		DC64-03134A	DECORATION PANEL; 8000E,ABS,-,DA WHITE	SA	1

2. Assy Frame&Cover Parts

Exploded View



Parts List

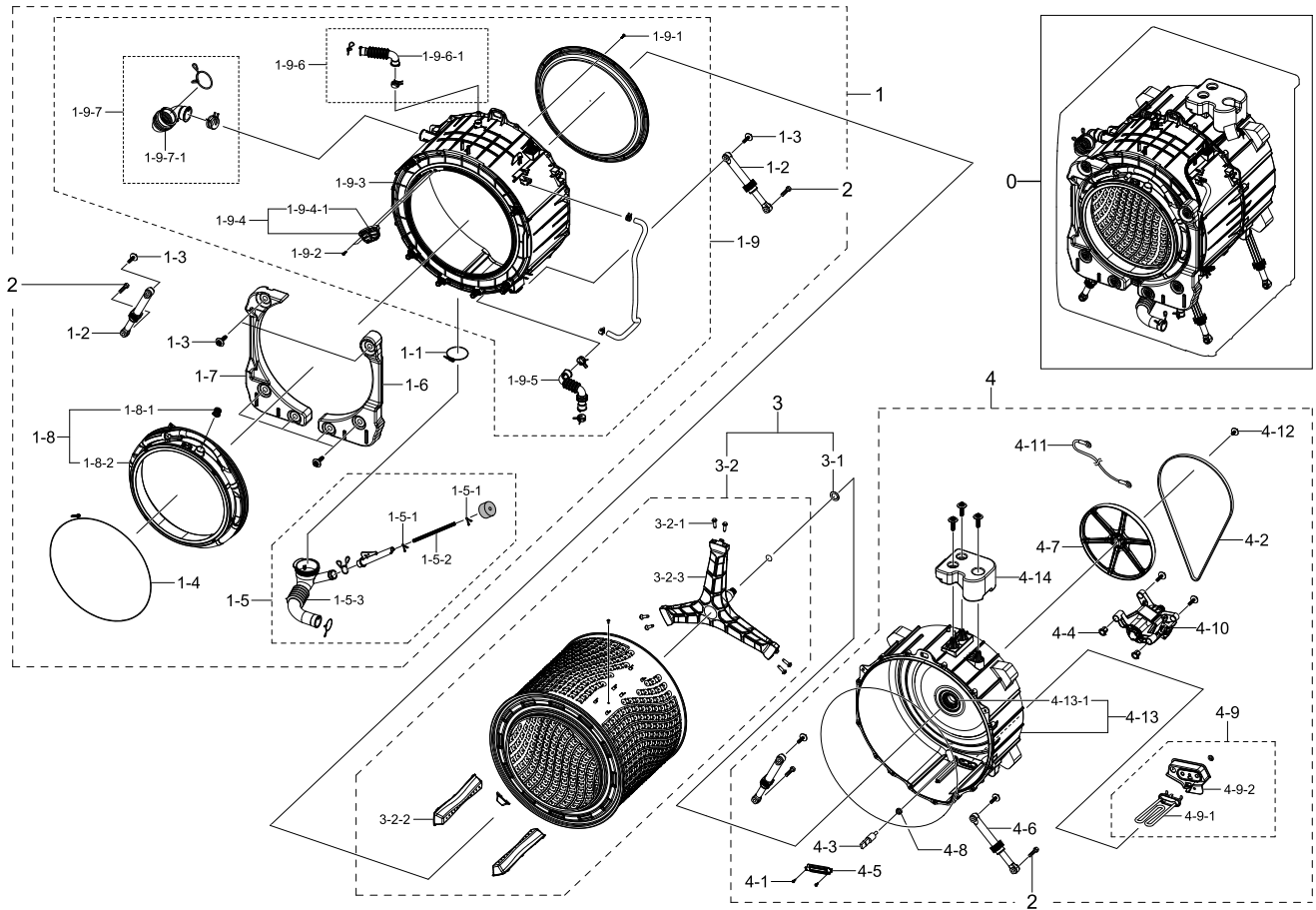
No.	Lvl.	Loc.	Material Code	Description & Specification	SNA	Qty.
1	2	WF0002	DC97-16695A	ASSY COVER BACK; ARNO,WF1124ZAC/XEF	SA	1
2	1	WF0003	DC90-12995A	ASSY COVER TOP; ARNO	SNA	1
2-1	2	WX0531	6009-001476	SCREW-HEX; HEX,+,M5,L10,Ni-Zn(WHT),SWRCH1	SA	2
2-2	2	WF0003	DC97-16691L	ASSY COVER TOP; ARNO,WF1124XAC/XEU,WHITE	SA	1
3	2	WJ5109	DC97-14653C	ASSY FIXER TUB; SCOUT,WF0804Y8E/XEF	SA	4
4	2		DC29-00023A	FILTER EMI; 250V,15,53*53*97,50/60Hz,CAN	SA	1
5	2	WF0008	DC97-16692A	ASSY FRAME PLATE(U); ARNO,WF1124ZAC/XEF	SA	1
6	2	WF0102	DC61-03099A	SPRING ETC-HANGER; ARNO,HSWR-SWRH,CD4.2,O	SA	2
7	2	WF0004	DC97-18219A	ASSY FRAME; WW8000H,WW12H8420EW/EU,DA WHI	SA	1

Exploded Views and Parts List

No.	Lvl.	Loc.	Material Code	Description & Specification	SNA	Qty.
7-1	3	WI0266	DC61-02065A	GUIDE SPRING; WF448AAG/XXA,POM,T4,W24,L36	SA	2
8	2		DC97-16645D	ASSY PUMP DRAIN; ARNO COMBO,CLICK HANDLE,	SA	1
8-1	3		DC31-00030H	PUMP-DRAIN; 220V-240V,50Hz,30W, 30mm	SA	2
8-2	3	WU0023	DC61-03082A	CASE PUMP; ARNO,PP,T2.5,W184.6,L165.2,NTR	SA	1
8-3	3	WI0203	DC63-01549A	COVER PUMP; F500,PP,VO GRADE,WHT,FH44N,-	SA	2
8-4	3	WW0006	DC93-00150D	ASSY WIRE HARNESS-PUMP; ARNO,WF1124ZAQ/XE	SA	1
8-5	3	WA0006	DC97-16642B	ASSY FILTER; ARNO,WF1124ZAC/XEF,CLICK HAN	SA	1
9	2	WE0020	DC96-01703G	ASSY SENSOR PRESSURE; GRACE-S,GRACE-S,DC	SA	1
10	2	WE0016	DC96-00146A	ASSY POWER CORD; VDE,UCP2,250V16A,H05VV-F	SC	1
11	2	WB5216	DC97-00920C	ASSY LEG; SEW-HW108,L48.5,M10	SC	2
12	2	WB5005	DC97-14293B	ASSY LEG; GE-PJT,WCVH4800KWW,H52.1	SA	2
12-1	3	WJ0092	DC97-14294B	ASSY LEG BOLT; GE-PJT,WCVH4800KWW	SA	2
13	2	WF0015	DC97-14642B	ASSY PLATE BOTTOM; -,-,LEAKAGE SENSOR,-,-	SA	1
13-1	3	WI0336	DC96-01610A	ASSY SENSOR POLE; WW9000HE,12V	SA	1
13-2	3	WX0419	6002-000239	SCREW-TAPPING; TH,+,NO,2S,M4,L8,ZPC(WHT),	SA	2
14	2		DC93-00477C	ASSY WIRE HARNESS-MAIN; DRUM,WW8000HE,N,D	SA	1
15	2	WI0196	DC63-01345A	COVER-PCB(M); ARNO,HIPS,T2.5,NATURAL,-	SA	1
16	2	WZ0010	DC92-01630A	ASSY PCB MAIN; MAIN PBA,WW-8000HE,230/50	SA	1
17	2	WE5187	DC93-00278A	ASSY SENSOR; MEMS SENSOR,ARNO,410mm	SA	1
18	2	WE0026	DC93-00279A	ASSY TRANS REACTORV; ARNO,220V/60Hz	SA	1
18-1	3	WX0622	6002-001306	SCREW-TAPPING; TH,+,1,M4,L14,ZPC(WHT),SWR	SA	1
18-2	3	WE0149	DC26-00009P	COIL HARMONIC; 8.5mH,15%,EI 48mm S-30NA	SA	1
18-3	3	WP0161	DC61-03107A	BRACKET REACTOR; ARNO,PP,T3.0,NATURAL,V0	SA	1
19	2	WH5359	DC61-00274A	GUIDE HOSE; P/PV/M,PP,-,-,WHT,FRAME/DRA	SA	1
20	2	WI0383	DC61-02601A	GUIDE HOSE; EPP,T50,WHT	SA	1
21	2	WA0001	DC63-01313A	ABSORBER SOUND; SCOUT2-PJT,PP,T10,W500,L4	SNA	1
22	2		DC97-16680A	ASSY HOSE DRAIN(O); ARNO,WF1124,ASSY,L185	SA	1

3. Assy Tub&Drum

Exploded View



Parts List

No.	Lvl.	Loc.	Material Code	Description & Specification	SNA	Qty.
1	1	WT0008	DC90-15149A	ASSY TUB FRONT; H800E	SNA	1
1-1	2		DC65-00021A	CLAMPER HOSE-JOINT; HEBA PJT,HSWR-SWRH,ID	SNA	1
1-2	2	WB5214	DC66-00343K	DAMPER SHOCK; GE24"-PJT,PP,60N,W24,BLACK,	SA	2
1-3	2	WJ5013	DC97-14263A	ASSY BOLT; HEBA-PJT,MOTOR/BOLT(M8)+WASHER	SA	8
1-4	2		DC97-14618G	ASSY CLAMP DIAPHRAGM; H900E,HSWR	SA	1
1-5	2	WH5387	DC97-16644A	ASSY HOSE PRESSURE; ARNO,WF1124ZAC/XEF	SA	1
1-5-1	3	WP0165	DC61-70029C	CLIP RING; SEW-HW125,HSWR,WHITE	SA	2
1-5-2	3	WH5388	DC67-00576A	HOSE WATER; ARNO,TPE,ID4.5,OD8,T2.5,L870,	SA	1
1-5-3	3	WH0012	DC67-00577A	HOSE FILTER TUB; ARNO,EPDM,T1.5,BLK	SA	1
1-6	2		DC97-18015A	ASSY WEIGHT BALANCER-LEFT; H800E,Assy	SA	1

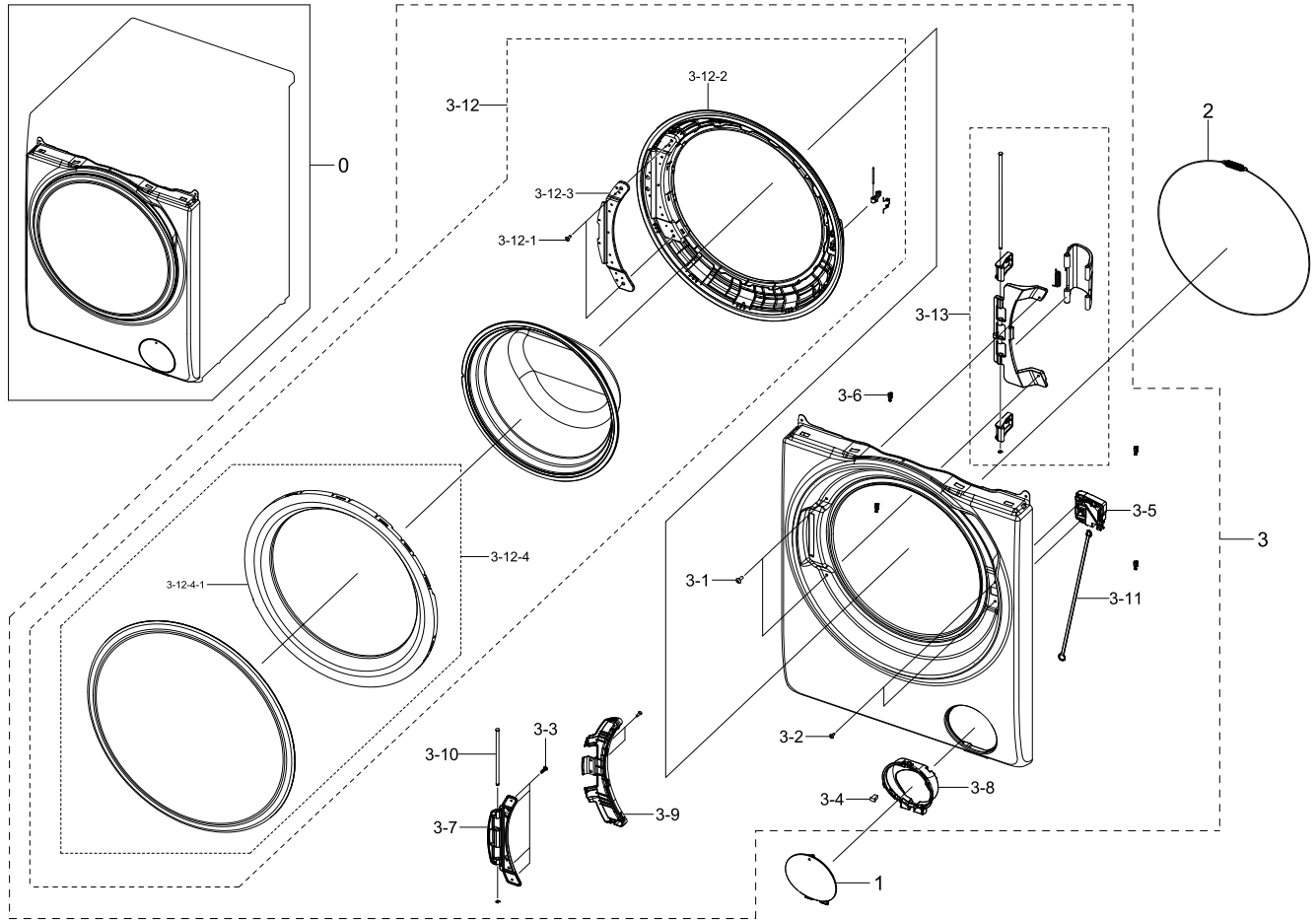
Exploded Views and Parts List

No.	Lvl.	Loc.	Material Code	Description & Specification	SNA	Qty.
1-7	2		DC97-18016A	ASSY WEIGHT BALANCER-RIGHT; H800E,Assy	SA	1
1-8	2	WD0004	DC97-18019B	ASSY DOOR DIAPHRAGM; WW8000H,EPDM	SA	1
1-8-1	3		DC47-00027D	LAMP; SLTNCW2502ANMALS,SLTNCW2502ANMALS,W	SA	1
1-8-2	3		DC64-03052B	DOOR DIAPHRAGM; WW8000H,EPDM,T1.5,-,-	SA	1
1-9	2	WT0004	DC97-18045A	ASSY SEMI TUB FRONT; H800E	SA	1
1-9-1	3	WX0621	6002-000444	SCREW-TAPPING; TH,+2,M4,L14,PASS,STS430	SA	6
1-9-2	3	WX0427	6002-000445	SCREW-TAPPING; TH,+NO,2,M4,L18,PASS,STS4	SA	2
1-9-3	3		DC61-03815A	TUB FRONT; FRPP,T3.5,-	SA	1
1-9-4	3		DC61-03910A	GUIDE FRONT; TPE,T2.0,-,XR-1045,GY0196,-	SNA	1
1-9-4-1	4		DC61-03871A	GUIDE TUB; WW9000HE,PA66+GF30%,T3.0,-,KN3	SA	1
1-9-5	3	WH5389	DC67-00568A	HOSE AIR TUB; ARNO-PJT,EPDM,T1.5,BLK	SA	1
1-9-6	3	WH5017	DC97-14873B	ASSY HOSE AIR; HEBA,WF8702,-,BLACK	SA	1
1-9-6-1	4	WH5206	DC67-00354A	HOSE AIR; HEBA PJT,EPDM,BLK,7kg	SA	1
1-9-7	3	WH5375	DC97-14874C	ASSY HOSE DRAWER; HEBA BIGBANG,WF0800NCE,	SA	1
1-9-7-1	4	WH5191	DC67-00422A	HOSE DRAWER TUB; HEBA-PJT,EPDM,BLK	SC	1
2	2	WX0558	6011-001644	BOLT-HEX; M10,L35,ZPC2,SM10C,DAMPER	SA	4
3	1	WG0004	DC90-15148A	ASSY DRUM; H800E	SNA	1
3-1	2	WJ0109	6031-001640	WASHER-SPRING; STS,-,ID35.2,OD39.0,T0.3,-	SNA	1
3-2	2	WG0004	DC97-18037A	ASSY DRUM; H800E	SA	1
3-2-1	3	WJ5081	DC60-40137A	BOLT HEX; MARS-PJT,STAINLESS-STS430,M8,P1	SA	6
3-2-2	3		DC66-00827A	DRUM LIFTER; H900E,PP,T3.0,-,FC2305,Dark	SA	3
3-2-3	3	WS0006	DC97-16625A	ASSY FLANGE SHAFT; ARNO,WF1124ZAC/XEF	SA	1
4	1	WT0007	DC90-11499A	ASSY TUB BACK; ARNO,WF1124XAC/XST	SNA	1
4-1	2	WX0434	6002-000471	SCREW-TAPPING; TH,+,-,1,M4,L12,PASS,STS30	SA	2
4-2	2	WS0060	6602-001497	BELT-TIMING GEAR; RUBBER(GATES),T3.2,1270	SA	1
4-3	2	WE5177	DC32-00010C	THERMISTOR; 3243OHM AT 60-10~100,5,10	SA	1
4-4	2	WS0064	DC61-02549A	BUSH MOTOR; HEBA BIGBANG,PA66+GF15%,NATUR	SNA	2
4-5	2	WP0099	DC61-02664A	BRACKET HEATER; HEBA,STAINLESS-STS430,T0.	SA	1
4-6	2	WB5214	DC66-00343K	DAMPER SHOCK; GE24"-PJT,PP,60N,W24,BLACK,	SA	2
4-7	2	WS0109	DC66-00530B	PULLEY MOTOR; HEBA BIGBANG,ALDC,OD296.8,I	SA	1

No.	Lvl.	Loc.	Material Code	Description & Specification	SNA	Qty.
4-8	2	WE0115	DC69-00824A	PACKING-THERMISTOR; GW-PJT,EPDM,-,-,W17,H	SNA	1
4-9	2	WE0010	DC93-00281B	ASSY HEATER; ARNO,230V/2000W,NORMAL/GRAY	SA	1
4-9-1	3	WE0155	DC47-00033B	HEATER-WASH; HEBA,SUS316L,2000,8.69,230V,	SA	1
4-9-2	3	WE0060	DC63-01340B	COVER HEATER; ARNO,ABS+PC,T3.0,V0,SILVER,	SA	1
4-10	2		DC93-00316A	ASSY MOTOR-BLDC; ARNO,WDM500FGB,F,DC310V,	SA	1
4-11	2	WW5711	DC96-01327D	ASSY WIRE HARNESS; ARNO,WF1124ZAQ/XEF,220	SA	1
4-12	2	WJ5110	DC97-06080C	ASSY BOLT; MERCURY-PJT,BOLT+WASHER(OD38),	SA	1
4-13	2	WT0007	DC97-16708A	ASSY TUB BACK; ARNO,WF1124ZAC	SA	1
4-13-1	3	WS0119	DC62-00156A	SEAL OIL; TS85-PJT,NBR(OD84),BLK,-,-,-,JI	SA	1
4-14	2	WE5188	DC97-16702A	ASSY WEIGHT BALANCER-UP; ARNO,WF1124ZAC,5	SA	1

4. Assy Front

Exploded View



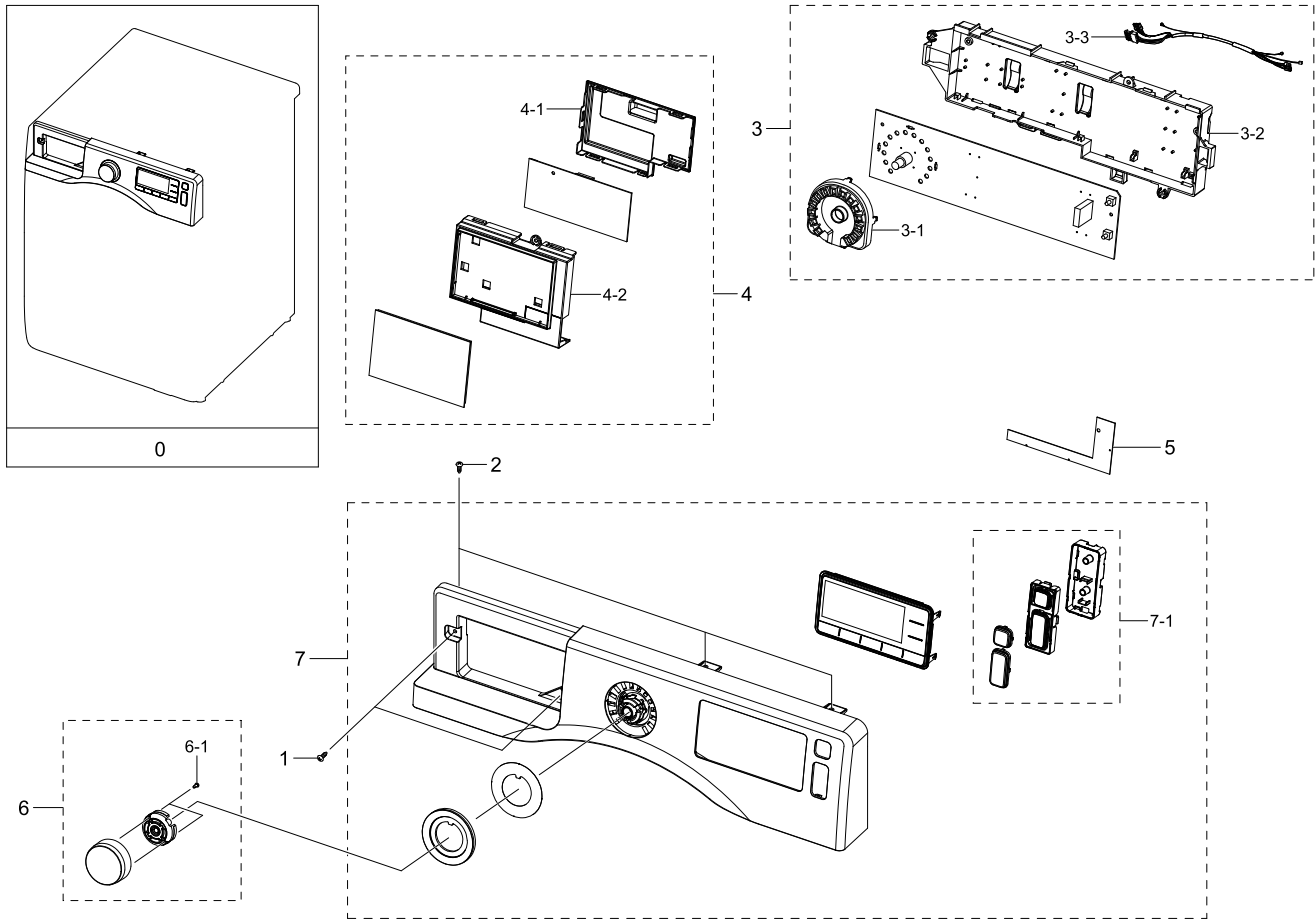
Parts List

No.	Lvl.	Loc.	Material Code	Description & Specification	SNA	Qty.
0	1	WF0009	DC90-15147A	ASSY FRONT; H800E	SNA	1
1	2		DC63-01720A	COVER FILTER; WW9000HE,ABS,T3.0,-,DA WHIT	SA	1
2	2	WJ0008	DC91-12078H	ASSY WIRE DIAPHRAGM; H900E	SA	1
3	2	WF0005	DC97-18038A	ASSY FRAME FRONT; H800E,DA WHITE	SA	1
3-1	3	WX0403	6001-001668	SCREW-MACHINE; TH,+,M5,L16,PASS,STS430,FP	SA	2
3-2	3	WX0621	6002-000444	SCREW-TAPPING; TH,+,2,M4,L14,PASS,STS430	SA	6
3-3	3	WX0427	6002-000445	SCREW-TAPPING; TH,+,NO,2,M4,L18,PASS,STS4	SA	2
3-4	3	WD0107	DA66-01072A	LATCH; LATOUR,POM,BLACK,DC LATCH	SA	1
3-5	3		DC34-00026A	SWITCH DOOR LOCK; AC250V,16A,41N	SA	1
3-6	3	WF0128	DC61-02577A	GUIDE FRAME FRONT; WF0800NCE,POM,W4.1,L18	SA	4

No.	Lvl.	Loc.	Material Code	Description & Specification	SNA	Qty.
3-7	3		DC61-03829A	BRACKET DOOR; H800E,ALDC,T2.0,-	SA	1
3-8	3		DC61-03831A	GUIDE FILTER; HIPS,T2.0,-,S-834,NEAT WHIT	SA	1
3-9	3		DC63-01729A	COVER HOLDER; PP,T2.0,-,VERSAILLES GRAY,F	SA	1
3-10	3		DC66-00844A	SHAFT HINGE; H800E,STAINLESS-ST304,L146,	SA	1
3-11	3		DC66-00850A	LEVER ACTUATOR; PP,T1.5,-,FC2305,-	SA	1
3-12	3	WD0003	DC97-18039A	ASSY DOOR; H800E	SA	1
3-12-1	4	WX0621	6002-000444	SCREW-TAPPING; TH,+,2,M4,L14,PASS,STS430	SA	2
3-12-2	4	WD0104	DC61-03816A	HOLDER GLASS; H800E,PP,-,VERSAILLES GRAY,	SA	1
3-12-3	4		DC61-03832A	BRACKET HOLDER; H800E,GI-SGCC,T1.4,-	SA	1
3-12-4	4	WD0001	DC97-18002B	ASSY COVER DOOR; WW8000HE,WW12H8420EX/EU	SNA	1
3-12-4-1	5		DC63-01730A	COVER GLASS; ABS,-,-,VERSAILLES GRAY,HG-0	SA	1
3-13	3	WD0007	DC97-18046A	ASSY HINGE; H800E	SA	1

5. Assy Panel Control

Exploded View



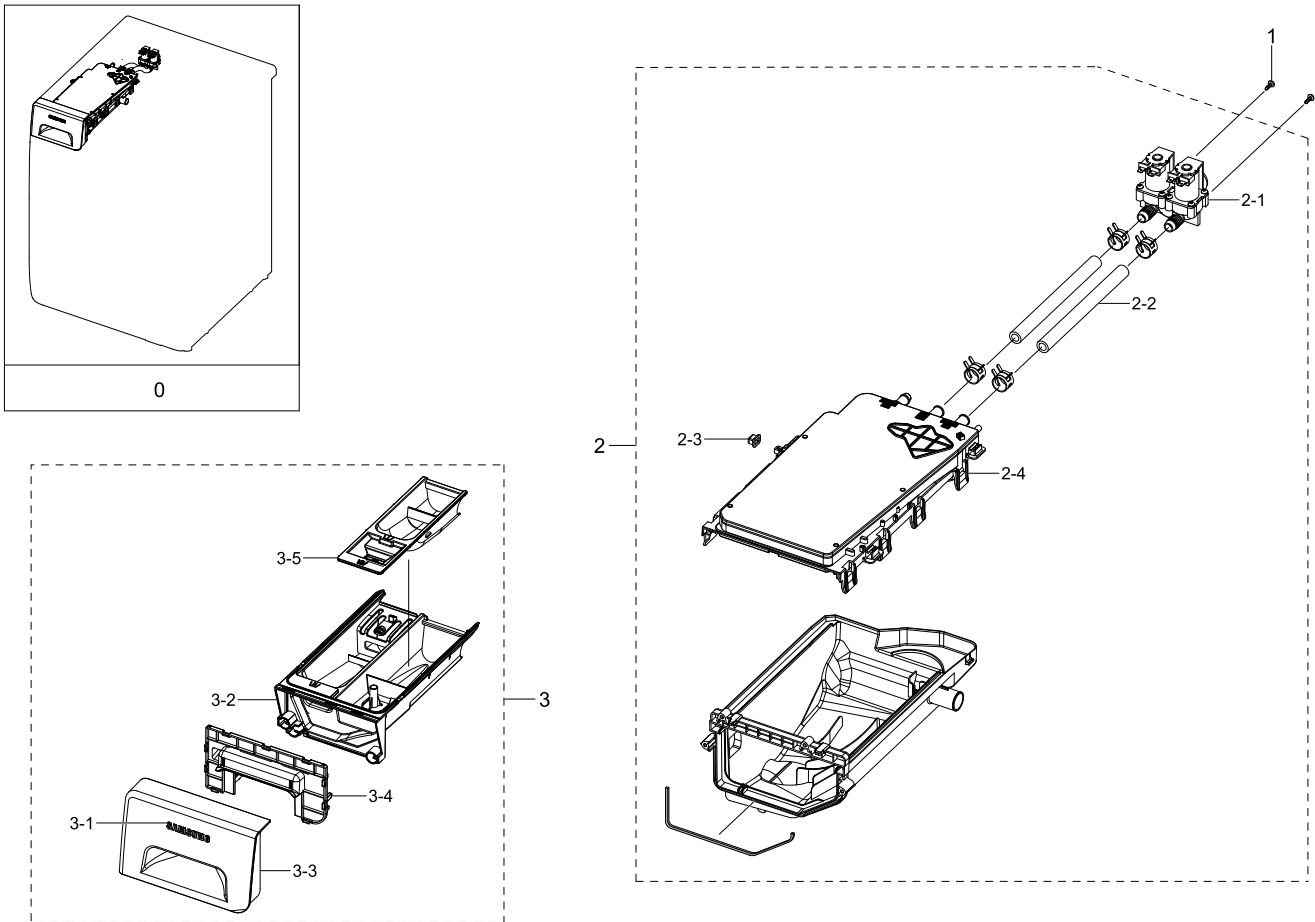
Parts List

No.	Lvl.	Loc.	Material Code	Description & Specification	SNA	Qty.
0	1	WC0016	DC90-15677A	ASSY PANEL CONTROL; WW12H8400EW/EE	SNA	1
1	2	WX0427	6002-000445	SCREW-TAPPING; TH,+,NO,2,M4,L18,PASS,STS4	SA	2
2	2	WX0441	6002-000520	SCREW-TAPPING; TH,+,-,2,M4,L12,ZPC(WHT),S	SA	3
3	2	WZ0025	DC92-01631A	ASSY PCB SUB; SUB PBA,WW-8000HE,230/50,LC	SA	1
3-1	3	WP0088	DC61-03098A	BRACKET-ENCODER; ARNO,HIPS,T1.5,W75.8,L78	SA	1
3-2	3		DC63-01737A	COVER PCB-SUB; HIPS,T2.5,V0,-,F744	SA	1
3-3	3	WW0001	DC93-00431A	ASSY FLAT WIRE; 2P/150mm/WHT_BLK,CA-KENMO	SA	1
4	2		DC92-01635A	ASSY MODULE; H800E	SA	1
4-1	3		DC63-01744A	COVER PBA-LCD; HIPS,T2.5,V0,BLACK,F744	SA	1
4-2	3		DC63-01745A	COVER PCB-LCD; HIPS,T2.0,V0,F744	SA	1

No.	Lvl.	Loc.	Material Code	Description & Specification	SNA	Qty.
5	2		DC93-00482A	ASSY SENSOR; WW8000HE,5V,8-BUTTON,TOUCH S	SA	1
6	2	WC0009	DC97-17318C	ASSY KNOB ENCODER; H800E	SA	1
6-1	3	WX0615	6002-000630	SCREW-TAPPING; PH,+ ,NO,2S,M3,L8,ZPC(WHT),	SA	2
7	2	WC0016	DC97-18023P	ASSY PANEL CONTROL; WW12H8400EW/EE,LCD	SNA	1
7-1	3	WC0001	DC97-18024A	ASSY BUTTON; WF12H8884EW/EU	SA	1

6. Assy Drawer

Exploded View





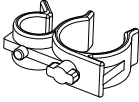

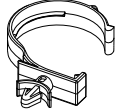

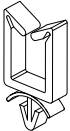

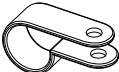
Parts List

No.	Lvl.	Loc.	Material Code	Description & Specification	SNA	Qty.
0	1	WR0005	DC90-15146A	ASSY DRAWER; H800E	SNA	1
1	2	WX0494	6003-000226	SCREW-TAPTYPE; TH,+,-,S,M4,L8,ZPC(WHT),SW	SC	2
2	2	WR0008	DC97-16643A	ASSY HOUSING DRAWER; ARNO,WF1124ZAC/XEF	SA	1
2-1	3	WE5152	DC62-00024M	VALVE WATER; 220-240,10,D-2	SC	1
2-2	3	WH5267	DC67-00051B	HOSE DRAWER; Q1636GW/XEU,EPDM,ID9.0,OD14.	SA	0
2-3	3		DC67-00327A	CAP DRAWER HOOK; HEBA-PJT,EPDM,T1.1,W13.9	SA	1
2-4	3	WR0012	DC97-16006A	ASSY S.HOUSING DRAWER; SCOUT,WF0804Y8E,PP	SA	1
3	2	WR0005	DC97-18044A	ASSY DRAWER; H800E	SA	1
3-1	3	WC0114	DA64-03804A	MASCOT; ALL,NICKEL,T0.05,L65	SA	1

No.	Lvl.	Loc.	Material Code	Description & Specification	SNA	Qty.
3-2	3	WR0029	DC61-02580A	BODY DRAWER; WF0800NCE,PP,T2.0,L265.5,W15	SA	1
3-3	3	WC0120	DC64-03081A	PANEL DRAWER; WW8000HE,ABS,-,HG0760GP,DA	SA	1
3-4	3	WR0037	DC64-03082A	HANDLE DRAWER; ABS,T2.0,HG0760GP,-,DA WHI	SA	1
3-5	3	WI0125	DC67-00452A	CAP RINSE; WF0800NCE,PP,W66.4,L219.2,ECO	SA	1

7. Small Parts

Exploded View

				
1	2	3	4	5
				
6	7	8	9	

Parts List

No.	Lvl.	Loc.	Material Code	Description & Specification	SNA	Qty.
1	2	WI0293	DC61-01736A	HOLDER WIRE; SEW-HKR149ATA,PA,128,NEW-K4	SA	1
2	2	WI0293	DC61-40083A	HOLDER WIRE; DAWH-3ND,NYLON66,NTR(PI24.4)	SNA	1
3	2		DC61-00133A	CLAMPER HOSE-FIX; P1291,PP,-,HOSE+PLUG,BJ	SNA	1
4	2		DC61-00118A	CLAMPER HOSE-FIX; P1291,PA66,ID27,OD30	SNA	1
5	2		DC61-02879A	HOLDER WIRE; WF8804CPA,PA,L58.6,NATURAL	SA	1
6	2	WI0295	DC61-60074A	HOLDER WIRE; PA,-,NATURAL,-,rectangle	SA	1
7	3	WI0294	DC61-00553B	HOLDER-WIRE SADDLE; PA,NTR,NYLON66	SA	2
8	2		6502-000127	CABLE CLAMP; DAWH-18NB,ID15,-,NYLON66,NTR	SNA	1
9	2		DC65-20010A	CABLE CLAMP; DA-9N-1,NYLON66,NTR	SNA	1