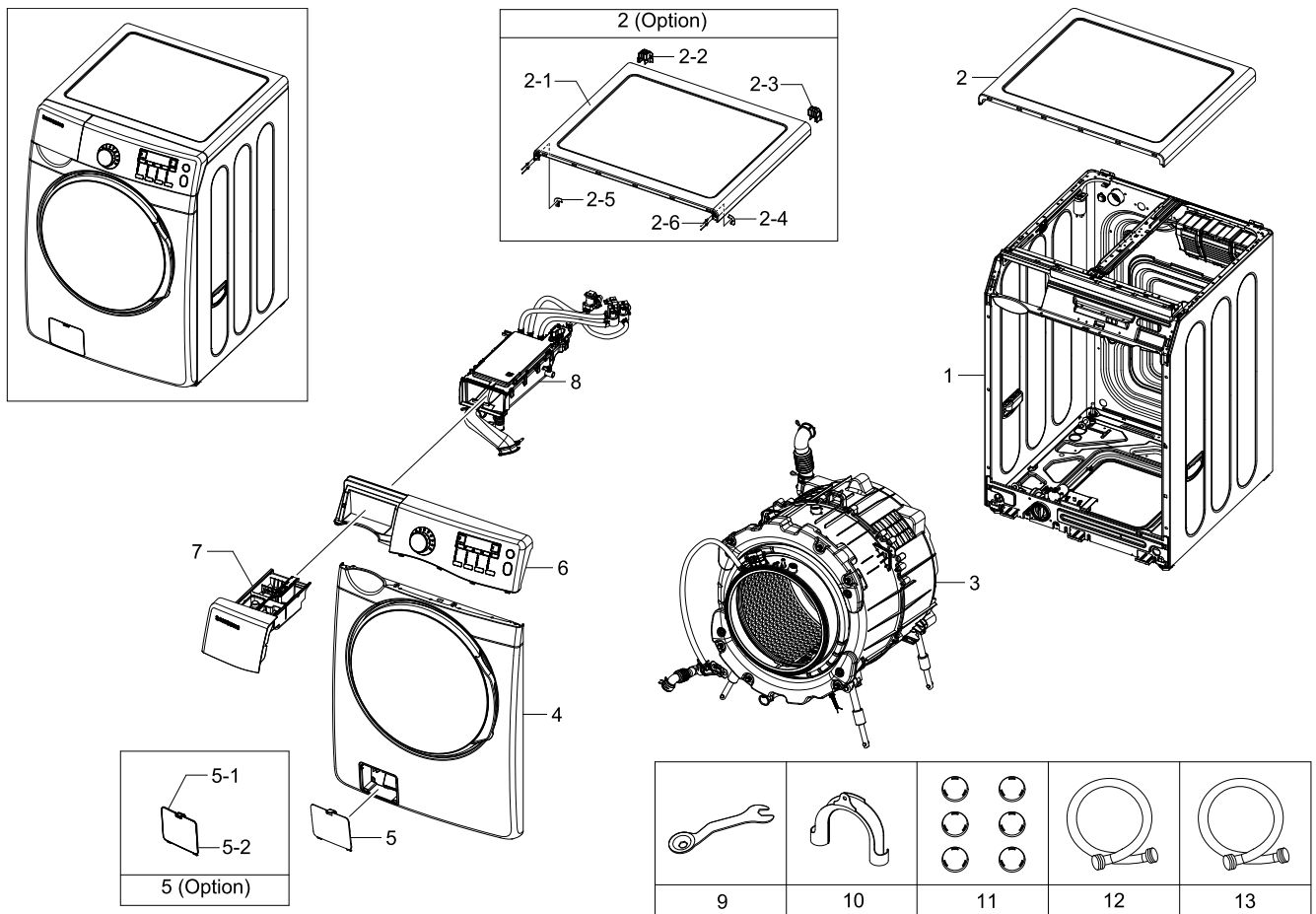


1. Main

Exploded View



Parts List

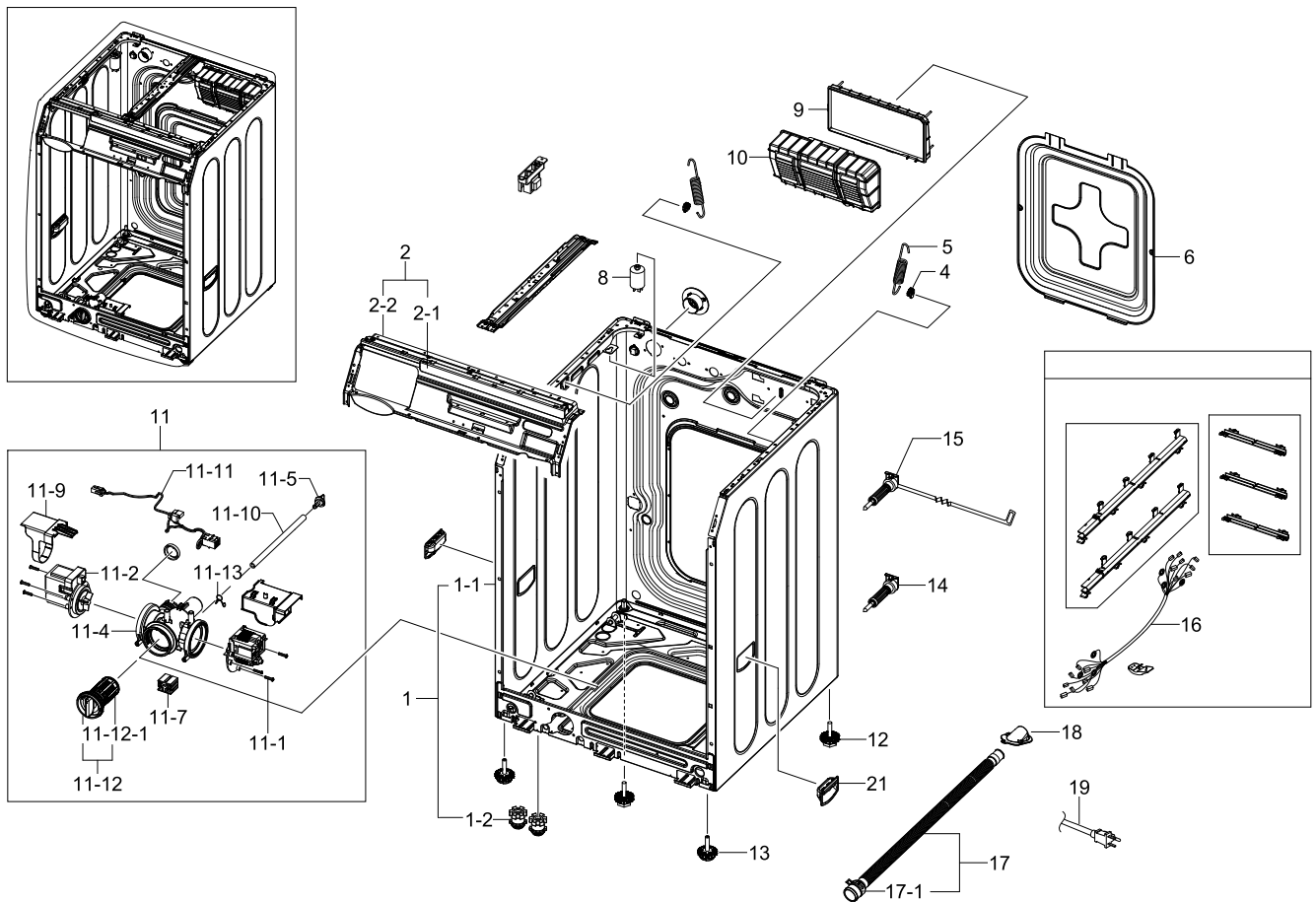
No.	Parent	Lvl.	Loc.	Material Code	Description & Specification	SNA	Qty.
1	DC90-09359A	2	WF0004	DC97-16918E	ASSY FRAME; YUKON-GLOBAL,WF431ABP/XEU,T0.	SNA	1
2	DC90-09356A	2	WF0003	DC97-16669G	ASSY COVER TOP; YUKON-DRYER,DV431AEP/XAA,	SA	1
3	WF431ABP/XEU	1	WG0013	DC90-09358A	ASSY TUB & DRUM; YUKON-GLOBAL,WF431ABP/XEU	SNA	1
4	DC90-09356A	2	WD0003	DC97-16099C	ASSY DOOR; YUKON Better,WF431	SA	1
5	DC90-09356A	2	WI0012	DC97-15330E	ASSY COVER FILTER; PURPLE-LATIN,WF448AAP,	SA	1
6	DC90-09356A	2	WC0016	DC97-16615K	ASSY PANEL CONTROL; YUKON GLOBAL,WF431ABP	SNA	1
7	DC90-09356A	2	WR0005	DC97-16619D	ASSY DRAWER; YUKON-GLOBAL,WD1102XVM/XSA	SA	1
8	DC90-09357A	2	WR0008	DC97-14522R	ASSY HOUSING DRAWER; YUKON-GLOBAL,WF431AB	SNA	1
9	DC98-01495B	3	WJ5077	DC60-40146A	BOLT-SPANER; -,CR,-,T2.5,OD36,-,-,-,-	SA	1

Exploded Views and Parts List

No.	Parent	Lvl.	Loc.	Material Code	Description & Specification	SNA	Qty.
10	DC98-01495B	3	WH5379	DC62-10278A	HOSE-HANGER; PUMP MODEL,PP,BLK,RM60 RESIN	SA	1
11	DC98-01495B	3	WA5001	DC67-00307A	CAP-FIXER; WF438AAC/XAA,PP,T1.5,BLK,RM60	SC	6
12	DC98-01495B	3		DC97-16947A	ASSY HOSE WATER; YUKON-GLOBAL,WF431,AQUA-	SNA	1
13	DC98-01495B	3		DC97-16947A	ASSY HOSE WATER; YUKON-GLOBAL,WF431,AQUA-	SNA	1

1.1. Frame & Cover Parts

Exploded View



Parts List

No.	Parent	Lvl.	Loc.	Material Code	Description & Specification	SNA	Qty.
1	DC90-09359A	2	WF0004	DC97-16918E	ASSY FRAME; YUKON-GLOBAL,WF431ABP/XEU,T0.	SNA	1
1-1	DC97-16918E	3	WF0067	DC61-02001Y	FRAME; WF431ABP/YL,GI-SGCC,INOX,T0.8,L215	SNA	1
1-2	DC97-14603K	4	WO0003	DC99-00815A	ASSY CUSHION PUMP; MARS-PJT,WF206LNU,-,-,	SA	2
2	DC90-09357A	2	WF0008	DC97-14843E	ASSY FRAME PLATE(U); YUKON-BEST,WF461	SA	1
2-1	DC97-14843E	3	WI0256	DC61-02008B	GUIDE-PANEL; WF438AAW,PP,T2.0,FC2305/NTR,	SA	1
2-2	DC97-14843E	3	WF0088	DC61-02012B	FRAME-PLATE(U); WR-PA179UR,GI,-,-,T1.6,	SA	1
4	DC90-09359A	2	WI0266	DC61-02432A	GUIDE-SPRING; WF419AAW,POM,T2.0,W81.5,L36	SA	2
5	DC90-09359A	2	WF0102	DC61-01257H	SPRING ETC-HANGER; WR-PB168UW,SWP,CD4.5,O	SA	2

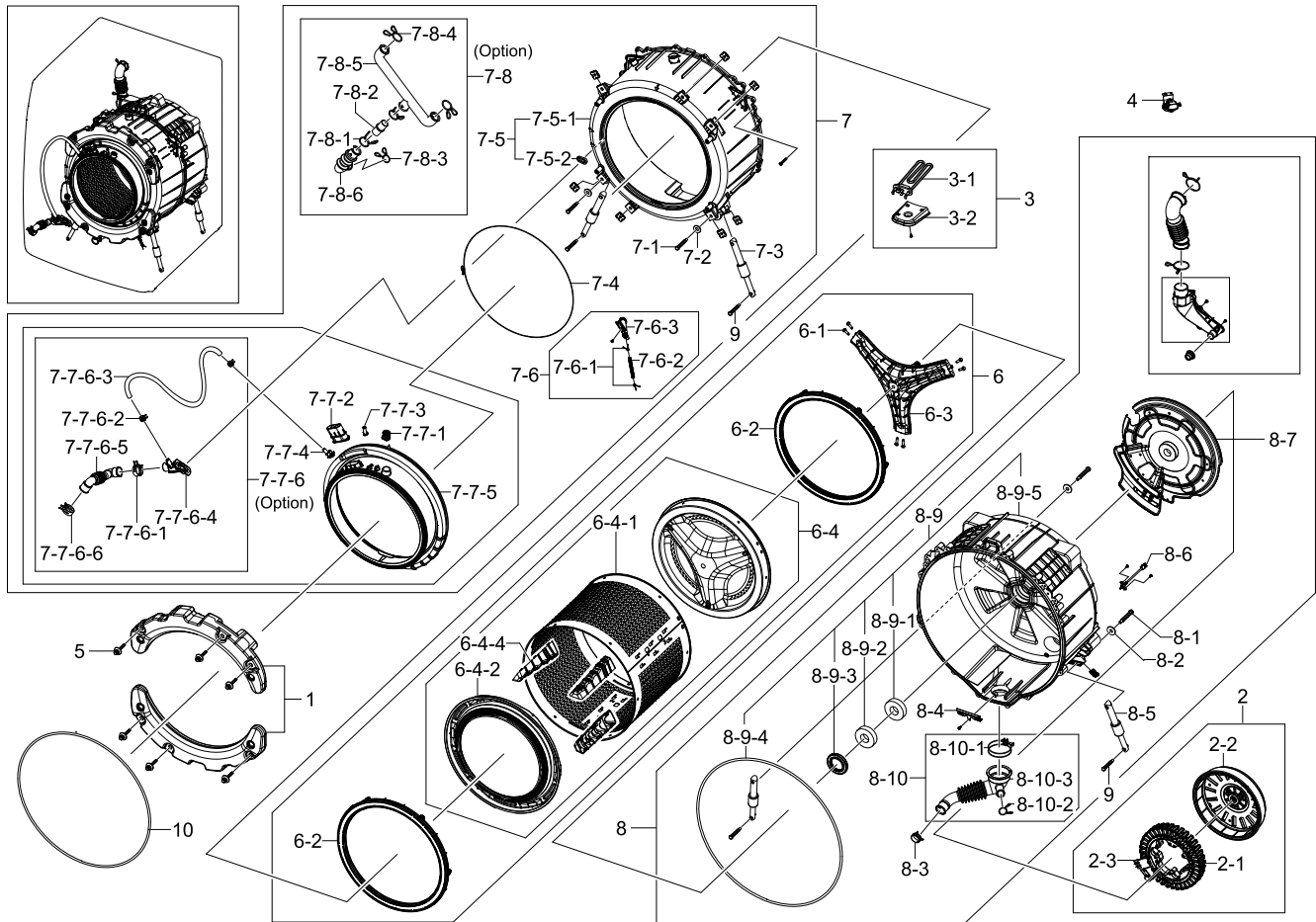
Exploded Views and Parts List

No.	Parent	Lvl.	Loc.	Material Code	Description & Specification	SNA	Qty.
6	DC90-09356A	2	WF0042	DC63-00522A	COVER-BACK; GW-PJT,GI,T0.4,W426,L507,NTR,	SA	1
8	DC90-09357A	2		DC29-00015G	FILTER EMI; LFT-215G,250V,15,53*53*97,50/	SA	1
9	DC90-09359A	2	WZ0010	DC92-00658F	ASSY PCB MAIN; YUKON Global Main,WASHER,2	SNA	1
10	DC90-09359A	2	WI0017	DC92-00732A	ASSY COVER PCB(M); YUKON-BEST,WF461,N	SA	1
11	DC90-09359A	2		DC96-01585M	ASSY PUMP DRAIN; YUKON-GLOBAL,WD1102XVM/X	SA	1
11-1	DC96-01585M	3		6002-001436	SCREW-TAPPING; PH,+2,M4,L18,ZPC(WHT),SWR	SNA	6
11-2	DC96-01585M	3	WU5008	DC31-00030A	PUMP-DRAIN; B20-6,220V,50Hz,-,HANYU	SA	2
11-4	DC96-01585M	3	WU0023	DC61-02017D	CASE-PUMP; WR-PA179UR,PP,T3,W122,L140,-,B	SA	1
11-5	DC96-01585M	3	WI0107	DC61-10673A	CAP-DRAIN; SWF-P12,PP,-,-,NTR,-	SNA	1
11-7	DC96-01585M	3	WO0031	DC63-00888A	CUSHION-PUMP; WF448AAG,EPDM,-,-,BLK,Hs5	SNA	1
11-9	DC96-01585M	3	WI0203	DC63-00981A	COVER-PUMP; COVER-PUMP,PP,T2.0,W101.5,L57	SNA	1
11-10	DC96-01585M	3	WH5224	DC67-00244A	HOSE-DRAIN; HOSE-DRAIN,EPDM,ID6,OD11,T2.5	SA	1
11-11	DC96-01585M	3		DC93-00150C	ASSY M. WIRE HARNESS-PUMP; YUKON-BEST,WF4	SA	1
11-12	DC96-01585M	3	WA0006	DC97-14976A	ASSY FILTER; PURPLE-PJT,ASSY-FILTER,-,-	SA	1
11-12	DC97-14976A	4	WU0026	DC63-00909A	FILTER-PUMP; FILTER-PUMP,PP,T1.8,W53,L75,	SNA	1
11-13	DC96-01585M	3		DD65-00001F	CLAMPER HOSE; HSWR,D10.5/T1.2	SNA	1
12	DC90-09359A	2	WB5008	DC97-00920N	ASSY LEG; K4/Bonanza,WHT / LEG-RING+NYLON	SA	2
13	DC90-09359A	2	WB5006	DC97-14293A	ASSY LEG; SEW-HVR149ATA,HYBRAR-RUBBER,-,-	SA	2
14	DC90-09356A	2	WJ5006	DC97-14489A	ASSY FIXER TUB; PURPLE-PJT,WF438AAC/XAA,-	SA	3
15	DC90-09356A	2	WJ5006	DC97-14489A	ASSY FIXER TUB; PURPLE-PJT,WF438AAC/XAA,-	SA	3
16	DC90-09359A	2	WW0026	DC93-00251G	ASSY M.GUIDE WIRE HARNESS; YUKON-GLOBAL,W	SA	1
17	DC90-09359A	2	WH5029	DC97-12534D	ASSY HOSE DRAIN(I); -,WF448AAW,BLOW-SPIRA	SA	1
17-1	DC97-12534D	3	WJ5075	DC61-01679A	CLAMPER HOSE; SEW-HFR177AR,SK5,-,T1.6/ID3	SA	1
18	DC90-09359A	2		DC61-02084A	GUIDE-HOSE; PURPLE,PP,CNTK-P-100,NTR	SA	1

No.	Parent	Lvl.	Loc.	Material Code	Description & Specification	SNA	Qty.
19	DC90-09359A	2	WE0016	DC90-11229B	ASSY POWER CORD; BF3,250V/13A,H05VV-F 3*1	SA	1
21	DC90-09359A	2	WI5047	DC97-15854E	ASSY HANDLE; ACE,DRUM WASHER,PP,DARK-GREY	SA	2

1.2. Assy Tub & Drum

Exploded View



Parts List

No.	Parent	Lvl.	Loc.	Material Code	Description & Specification	SNA	Qty.
1	DC90-09358A	2		DC67-00621A	WEIGHT-BALANCER; WEIGHT BALANCER,CONCRETE	SA	1
2	DC90-09358A	2	WS0004	DC93-00168B	ASSY DD BLDC MOTOR; YUKON,COM1500P 1,F,22	SA	1
2-1	DC93-00168B	3	WS0086	DC31-00111B	MOTOR BLDC-ASSY STATOR; COM1500P 1,1200,2	SA	1
2-2	DC93-00168B	3	WS0085	DC31-00112A	MOTOR BLDC-ASSY ROTOR; COM1500P,1200,220-	SA	1
2-3	DC93-00168B	3	WE0111	DC31-00098A	MOTOR BLDC-ASSY HALL SENSOR; COM1300,1200	SA	1
3	DC90-09358A	2	WE0010	DC96-01417H	ASSY HEATER; WD0150VDX/XSG,NORMAL HEATER	SNA	1
3-1	DC96-01417H	3	WE0092	DC47-00006V	HEATER; SU8E6547-V,-,SUS 316L,2000W,8.26~	SA	1
3-2	DC96-01417H	3	WE0060	DC63-00820A	COVER-HEATER; WF337AAW,ABS+PC,T2.5,5VA,FR	SNA	1

No.	Parent	Lvl.	Loc.	Material Code	Description & Specification	SNA	Qty.
4	DC90-09358A	2	WE0020	DC96-01703B	ASSY SENSOR PRESSURE; PURPLE PJT,PURPLE P	SA	1
5	DC90-09358A	2	WJ5042	DC97-02412A	ASSY BOLT; SWF-P12,MOTOR/ M8*L62,-,-,-,-	SA	5
6	DC90-09358A	2	WG0004	DC97-14380C	ASSY DRUM; PURPLE-PJT,WF448	SA	1
6-1	DC97-14380C	3	WJ5081	DC60-40137A	BOLT-HEX; MARS-PJT,STS430,M8,P1.25,L30,HE	SA	6
6-2	DC97-14380C	3	WT5011	DC97-12135A	ASSY BALANCER; ZEUS-PJT,-,-,-,-	SA	2
6-3	DC97-14380C	3	WS0006	DC97-16509B	ASSY FLANGE SHAFT; Purple-PJT,WF448,1250r	SA	1
6-4	DC97-14380C	3	WS0006	DC97-16509B	ASSY FLANGE SHAFT; Purple-PJT,WF448,1250r	SA	1
6-4-1	DC97-14575C	4	WG0057	DC66-00505B	DRUM-WRAPPER; WF448AAW,STAINLESS-STS430,T	SNA	1
6-4-2	DC97-14575C	4	WG0054	DC66-00506A	DRUM-FRONT; PURPLE PJT,STS430,-,-,-,-,T0.	SNA	1
6-4-4	DC97-14575C	4	WG0055	DC66-00508A	DRUM-LIFTER; PURPLE- PJT,PP,-,-,-,-,CP,-	SA	3
7	DC90-09358A	2	WT0008	DC97-14539T	ASSY TUB FRONT; YUKON-GLOBAL,WF431ABP/XEU	SNA	1
7-1	DC97-04981F	3	WJ5079	DC60-40141A	BOLT-HEX; SM10C/DAMPER,HEX,M8,L66,-,ZPC2(SA	2
7-2	DC99-00815A	3	WJ0083	DC60-60044A	WASHER-PLAIN; -,ID10.5,OD30,T3,-,STS304	SNA	2
7-3	DC97-14540M	3	WB5199	DC66-00343F	DAMPER-SHOCK; GW-PJT,STEEL+PP+RUBBER,60N,	SA	2
7-4	DC97-14539T	3	WJ0002	DC97-04981F	ASSY CLAMP DIAPHRAGM; PURPLE,WF448AAW,-,-	SA	1
7-5	DC97-14539T	3	WT0004	DC97-14541H	ASSY SEMI TUB FRONT; YUKON-BEST,WF461	SA	1
7-5-1	DC97-14541H	4	WT0042	DC61-01994G	TUB-FRONT; WF461,FRPP,NTR,4.3CuFt	SNA	1
7-5-2	DC97-14541H	4	WT0030	DC62-00268A	SEAL-CONNECTOR; SEW-HAR149AUA,EPDM,BLK,-,	SNA	1
7-6	DC97-14539T	3	WH0003	DC97-14545F	ASSY HOSE PRESSURE; PURPLE	SA	1
7-6-1	DC97-14545F	4	WP0165	DC61-70029C	SPRING-CLIP; SEW-HW125,HSWR,CD1.2,ID8.3,O	SA	2
7-6-2	DC97-14545F	4		DC67-00089L	HOSE-WATER; SEW-HMW125ATH,TPE,ID5,OD9,T2.	SNA	1
7-6-3	DC97-14545F	4		DC67-00492A	HOSE-JOINT AIR; WF520,PP,T1.8,L165.8xH80,	SNA	1
7-7-1	DC97-14560T	4		DC47-00027E	LAMP; TUB LIGHT,GRACE JR,300mm,30mA,110mW	SA	1
7-7-2	DC97-14560T	4	WI0275	DC61-01993B	GUIDE-WATER; PURPLE-K,PP,T2.5,GRAY	SNA	1

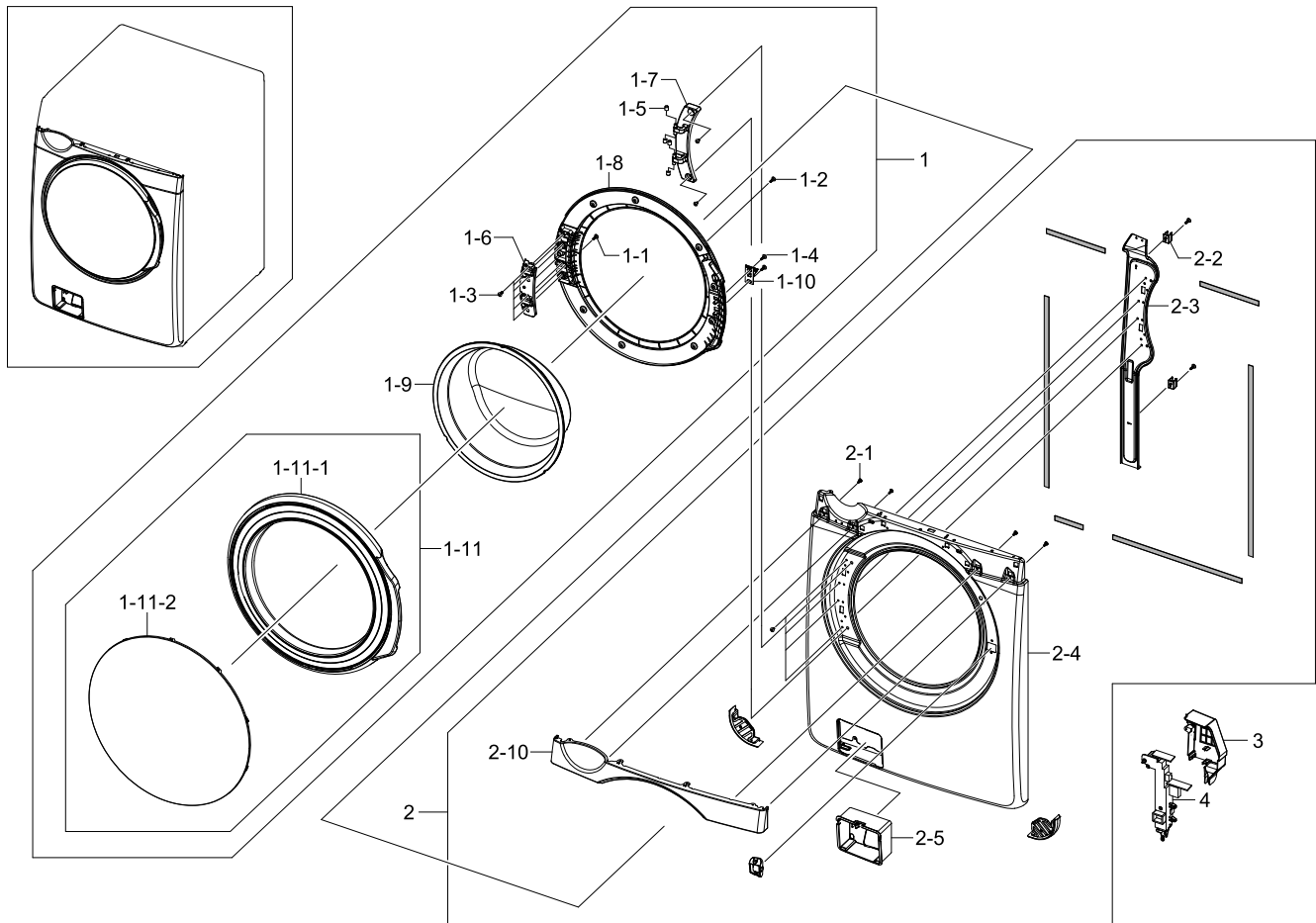
Exploded Views and Parts List

No.	Parent	Lvl.	Loc.	Material Code	Description & Specification	SNA	Qty.
7-7-3	DC97-14560T	4	WJ0047	DC62-00258A	NOZZLE-DIAPHRAGM; WF448AAG,POM,D10.5,T1.5	SNA	1
7-7-4	DC97-14560T	4	WJ0047	DC62-00258A	NOZZLE-DIAPHRAGM; WF448AAG,POM,D10.5,T1.5	SNA	1
7-7-5	DC97-14560T	4	WD0067	DC64-01810D	DOOR-DIAPHRAGM; WF431ABP/XEU,EPDM,T2.5,H1	SA	1
7-7-6	DC97-14560T	4		DC97-15411F	ASSY HOSE AIR; PURPLE COMBO,WD0150VDX/XSG	SNA	1
7-7-6-1	DC97-12534D	3	WJ5075	DC61-01679A	CLAMPER HOSE; SEW-HFR177AR,SK5,-,T1.6/ID3	SA	1
7-7-6-2	DC97-14522R	3		DC65-00008A	CLAMPER HOSE; SEW-DR605,SK5,-,-,YEL,ID14.	SNA	4
7-7-6-3	DC97-15314B	4	WH0011	DC67-00413A	HOSE-AIR PUMP; WR-PA179UR,EPDM,ID19.7,OD2	SA	1
7-7-6-4	DC97-14541H	4	WT0030	DC62-00268A	SEAL-CONNECTOR; SEW-HAR149AUA,EPDM,BLK,-,	SNA	1
7-7-6-5	DC97-15314B	4	WH5193	DC67-00412A	HOSE-AIR TUB; WR-PA179UR,EPDM,ID19,OD25,T	SA	1
7-7-6-6	DC97-14522R	3	WJ0027	DC72-00001A	CLIP-RING; DRUM-MODEL,HSWR,YEL,ID49.5	SA	1
7-8	DC97-14539T	3	WH5386	DC97-15314B	ASSY HOSE-AIR; PURPLE K-PJT,WR-PA179UR,BL	SA	1
7-8-1	DC97-15314B	4		DC61-00158A	CLAMPER HOSE; SW65ASP,SK5,ID23,T0.8/YEL	SNA	2
7-8-2	DC97-15314B	4		DC61-02203A	GUIDE-HOSE; PURPLE,PP,T2.0,-,-,-,-	SNA	1
7-8-3	DC97-15314B	4	WJ0027	DC65-60118J	CLIP-RING; HSWR,WHT,PI2.0/ID23	SNA	1
7-8-4	DC97-15298A	4	WJ0027	DC65-60125B	CLIP-RING; HSWR,T2.4,PI25,YEL	SNA	1
7-8-5	DC97-15314B	4	WH5193	DC67-00412A	HOSE-AIR TUB; WR-PA179UR,EPDM,ID19,OD25,T	SA	1
7-8-6	DC97-15314B	4	WH0011	DC67-00413A	HOSE-AIR PUMP; WR-PA179UR,EPDM,ID19.7,OD2	SA	1
8	DC90-09358A	2	WT0007	DC97-14540M	ASSY TUB BACK; PURPLE-K,WW-/WASH/HCH BEAR	SNA	1
8-1	DC97-14540M	3	WJ5079	DC60-40141A	BOLT-HEX; SM10C/DAMPER,HEX,M8,L66,-,ZPC2(SA	2
8-2	DC97-14540M	3	WJ0083	DC60-60044A	WASHER-PLAIN; -,ID10.5,OD30,T3,-,STS304	SNA	2
8-3	DC97-14540M	3		DC61-00219D	CLAMPER HOSE; SW-50A1S,SK5,-,ID33/OD35,-,	SNA	1
8-4	DC97-14540M	3	WP0099	DC61-01482A	BRACKET-HEATER; GW-PJT,STS430/304,T0.5,W9	SNA	1
8-5	DC97-14540M	3	WB5199	DC66-00343F	DAMPER-SHOCK; GW-PJT,STEEL+PP+RUBBER,60N,	SA	2
8-6	DC97-14540M	3	WE5044	DC90-10128N	ASSY THERMISTOR; 5V,WATER,WATER TEMPERATU	SA	1

No.	Parent	Lvl.	Loc.	Material Code	Description & Specification	SNA	Qty.
8-7	DC97-14540M	3	WP0146	DC61-02006A	BRACKET-TUB; PURPLE,GI,T0.35,-,-,-,-	SNA	1
8-9	DC97-14540M	3	WT0002	DC97-14604K	ASSY S.TUB BACK; PURPLE-K,WW-,WASH,HCH BE	SA	1
8-9-1	DC97-14604K	4	WS0051	6601-002632	BEARING-BALL; 6307ZZ,ID35,OD80,L21,GCr15	SNA	1
8-9-2	DC97-14604K	4	WS0051	6601-002516	BEARING-BALL; 6306ZZ,ID30,OD72,L19,GCr15	SNA	1
8-9-3	DC97-14604K	4	WS0119	DC62-00156A	SEAL-OIL; TS85-PJT,NBR(SD45.5),BLK,-,-,-,	SA	1
8-9-4	DC97-14604K	4	WO0055	DC69-00804A	SEAL-TUB; GW-PJT,EPDM,H624,BLK,L1930,W624	SNA	1
8-9-5	DC97-14604K	4	WT0003	DC97-14570C	ASSY SEMI TUB BACK; PURPLE K,WW-PA177UR,1	SNA	1
8-10	DC97-14540M	3	WH0023	DC97-15298A	ASSY HOSE DRAIN; PURPLE,-,-,-,-,-	SA	1
8-10-1	DC97-15298A	4	WJ5057	DC65-00014A	CLAMPER HOSE-JOINT; GW-PJT,HSWR,ID84,ZPC2	SA	1
8-10-2	DC97-15298A	4	WJ0027	DC65-60125B	CLIP-RING; HSWR,T2.4,PI25,YEL	SNA	1
8-10-3	DC97-15298A	4	WH5212	DC67-00312A	HOSE-DRAIN; WF438AAG,EPDM,T2.5,BLK	SNA	1
9	DC90-09357A	2	WX0558	6011-001644	BOLT-HEX; M10,L35,ZPC2(YEL),SM10C,DAMPER	SA	4
10	DC90-09356A	2	WJ0008	DC97-04973B	ASSY WIRE DIAPHRAGM; SEW-HFR167AR,STS304(SA	1

1.3. Assy Frame Front & Door

Exploded View



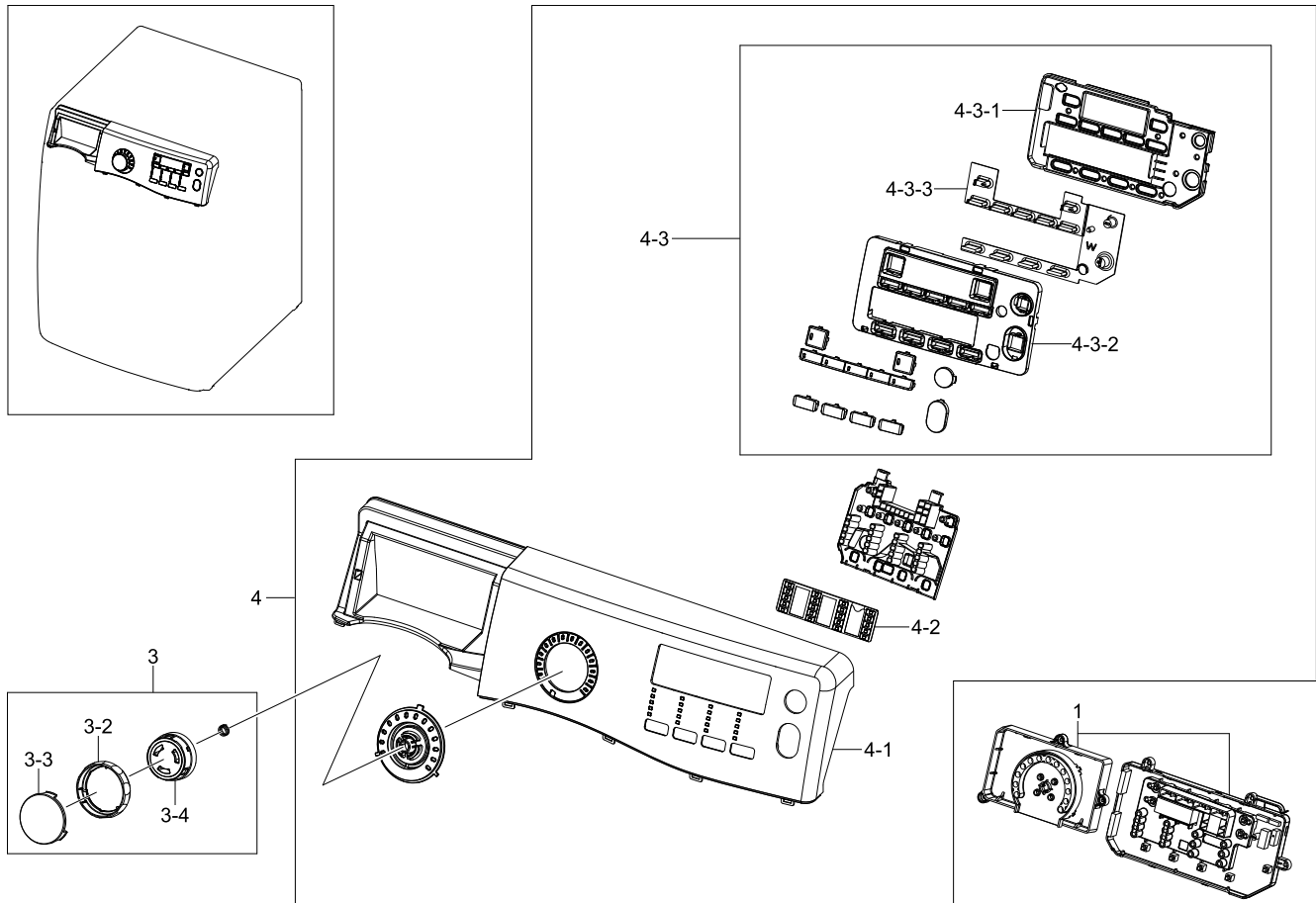
Parts List

No.	Parent	Lvl.	Loc.	Material Code	Description & Specification	SNA	Qty.
1	DC90-09356A	2	WD0003	DC97-16099C	ASSY DOOR; YUKON Better,WF431	SA	1
1-1	DC97-16099C	3	WX0403	6001-001668	SCREW-MACHINE; TH,+,M5,L16,PASS,STS430,FP	SA	1
1-2	DC97-16099C	3	WX0621	6002-000444	SCREW-TAPPING; TH,+,2,M4,L14,PASS,STS430	SA	15
1-3	DC97-16099C	3	WX0460	6002-001204	SCREW-TAPPING; TH,+,-,1,M4,L16,PASS,STS43	SA	8
1-4	DC97-16099C	3	WX0465	6002-001279	SCREW-TAPPING; PWH,+,-,1,M4,L12,PASS,STS3	SA	2
1-5	DC97-16099C	3	WD0090	DC61-00891A	GUIDE-HINGE; HAUZEN(DOM),POM,-,-,-,WHT,HI	SA	4
1-6	DC97-16099C	3	WD0134	DC61-01576A	SUPPORT-HINGE; FRONTIER-PJT,GI-SGCC,T1.4,	SA	1
1-7	DC97-16099C	3	WD0096	DC61-01971A	HINGE-DOOR; PURPLE-PJT,ALDC8,T3.0,W39.5,L	SA	1

No.	Parent	Lvl.	Loc.	Material Code	Description & Specification	SNA	Qty.
1-8	DC97-16099C	3	WD0105	DC61-01972A	HOLDER-GLASS; PURPLE-PJT,PP,T2.8,W542,L56	SA	1
1-9	DC97-16099C	3	WD0070	DC64-00504A	DOOR-GLASS; TS85-PJT,NON-HeatTreatment GL	SC	1
1-10	DC97-16099C	3	WD0114	DC66-00375A	LEVER-DOOR; 10KG DRUM,ZNDC,2.5MM,-,-,NI	SC	1
1-11	DC97-16099C	3	WD0001	DC97-16100A	ASSY COVER DOOR; SQUALL,WF350ANW/XAA	SA	1
1-11-1	DC97-16100A	4	WD0037	DC63-01166A	COVER-DOOR; WF350,ABS,T2.5,W568,CR PLATIN	SNA	1
1-11-2	DC97-16100A	4	WD0079	DC64-02215A	DOOR-SAFETY; WF350ANW,PET,T2.5,W491,SQUAL	SA	1
2	DC90-09356A	2	WF0005	DC97-15331R	ASSY FRAME FRONT; YUKON-GLOBAL,WD1172XVM/	SA	1
2-1	DC97-15331R	3	WX0419	6002-000239	SCREW-TAPPING; TH,+,NO,2S,M4,L8,ZPC(WHT),	SA	7
2-2	DC97-15331R	3	WH0010	DC61-01081A	HOLDER-HOSE; Q1636,NYLON66,T1.5,-,-,NTR,T	SA	2
2-3	DC97-15331R	3	WP0101	DC61-01973A	BRACKET-HINGE; PURPLE-PJT,GI-SGCC,T1.0,W3	SNA	1
2-4	DC97-15331R	3	WF0082	DC61-02162A	FRAME-FRONT; WF448AAC/XAA,VCM(GI),-,INO	SNA	1
2-5	DC97-15331R	3	WI0241	DC61-02198A	GUIDE-COVER FILTER; WF448AAP,PP(FC2305),T	SA	1
2-10	DC97-15331R	3	WF0053	DC64-02628A	DECORATION-FRONT; WF431ANW,ABS,T2.8,W684,	SA	1
3	DC90-09357A	2	WE0059	DC63-01356A	COVER-DOOR SWITCH; WR-DA157UW,PP,T1.6,NTR	SA	1
4	DC90-09357A	2	WE0165	DC34-00024A	SWITCH DOOR-LOCK; DW-DL72,Solenoid,Noryl	SA	1

1.4. Assy Panel Control

Exploded View



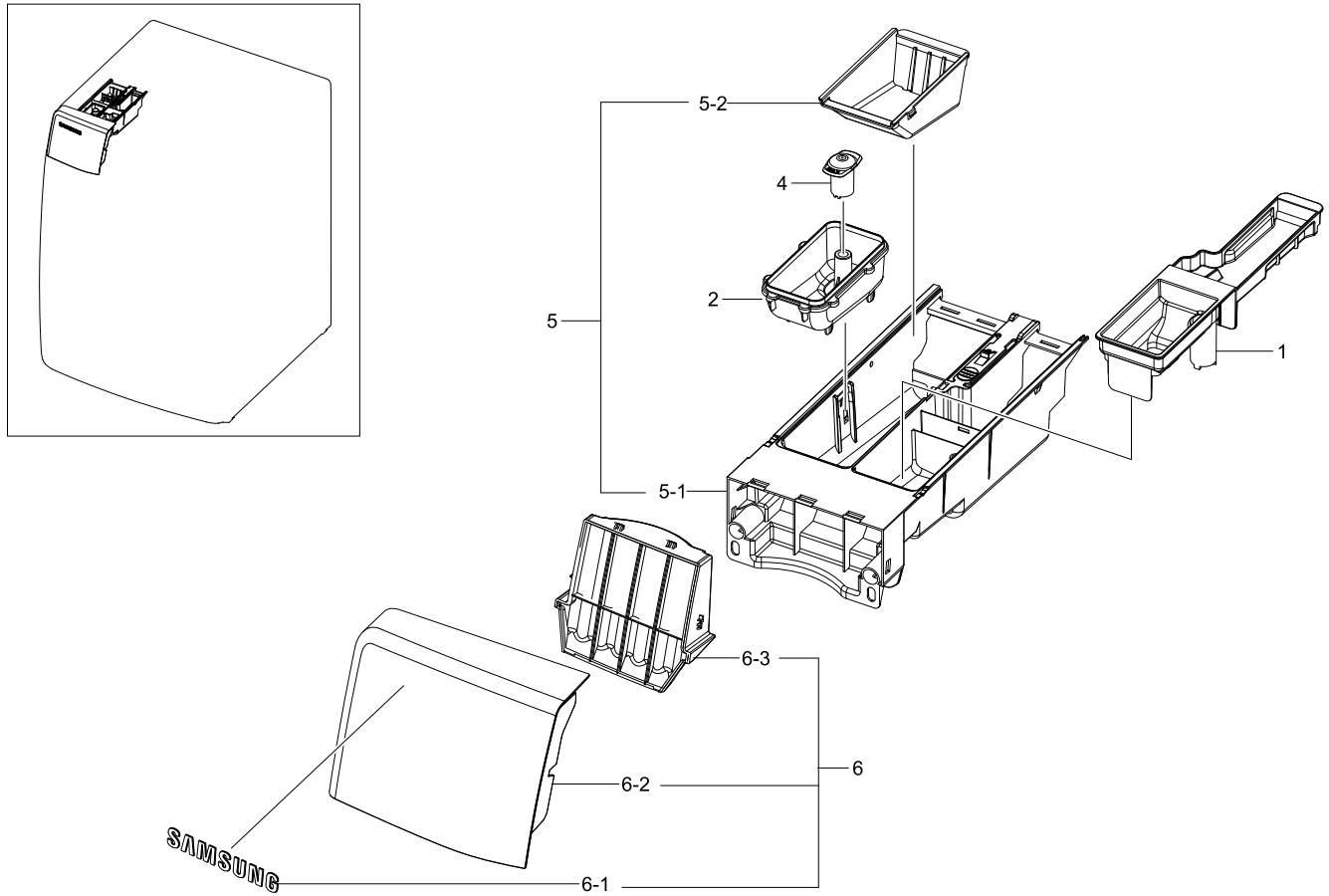
Parts List

No.	Parent	Lvl.	Loc.	Material Code	Description & Specification	SNA	Qty.
1	DC97-16615K	3	WZ0025	DC92-00773G	ASSY PCB SUB; YUKON GLOBAL SUB,Washer,220	SA	1
3	DC97-16615K	3	WC0009	DC97-16068D	ASSY KNOB ENCODER; BIGBANG2-PJT,WF231ANW/	SA	1
3-2	DC97-16068D	4	WC0077	DC64-02727A	DECORATION-ENCODER; WF350ANW/XAA,ABS,T6.0	SNA	1
3-3	DC97-16068D	4	WC0145	DC64-02223A	DECORATION-ENCODER(I); WF350ANW/XAA,ABS,T	SNA	1
3-4	DC97-16068D	4	WC0101	DC64-01642D	KNOB-ENCODER; HELIOS-C,ABS,T2.0,NO PEARL,	SNA	1
4	DC97-16615K	3	WC0018	DC97-16616R	ASSY S.PANEL CONTROL; YUKON GLOBAL,WF431A	SA	1
4-1	WF431ABP/XEU	4	WC0122	DC64-02629A	PANEL-CONTROL; WF431,ABS,T3,W684,L164,H12	SNA	1
4-2	DC97-16616R	4	WC0154	DC64-02631A	DECORATION-LED(S); WF431,PMMA,T2,W127,L39	SA	1

No.	Parent	Lvl.	Loc.	Material Code	Description & Specification	SNA	Qty.
4-3	DC97-16616R	4	WC0001	DC97-16617H	ASSY BUTTON; YUKON GLOBAL,WF431ABP/XEU,IN	SA	1
4-3-1	DC97-16617H	5		DC63-01336A	COVER-BUTTON; WF431,ABS,T2.5,W226.7,L117.	SNA	1
4-3-2	DC97-16617H	5	WC0140	DC64-02630B	WINDOW-PANEL; WD1102XVM/XSA,PMMA,T2.0,W23	SNA	1
4-3-3	DC97-16617H	5	WC0059	DC64-02671A	BUTTON-RUBBER; WF431,SILICON,Transparency	SA	1

1.5. Assy Drawer

Exploded View



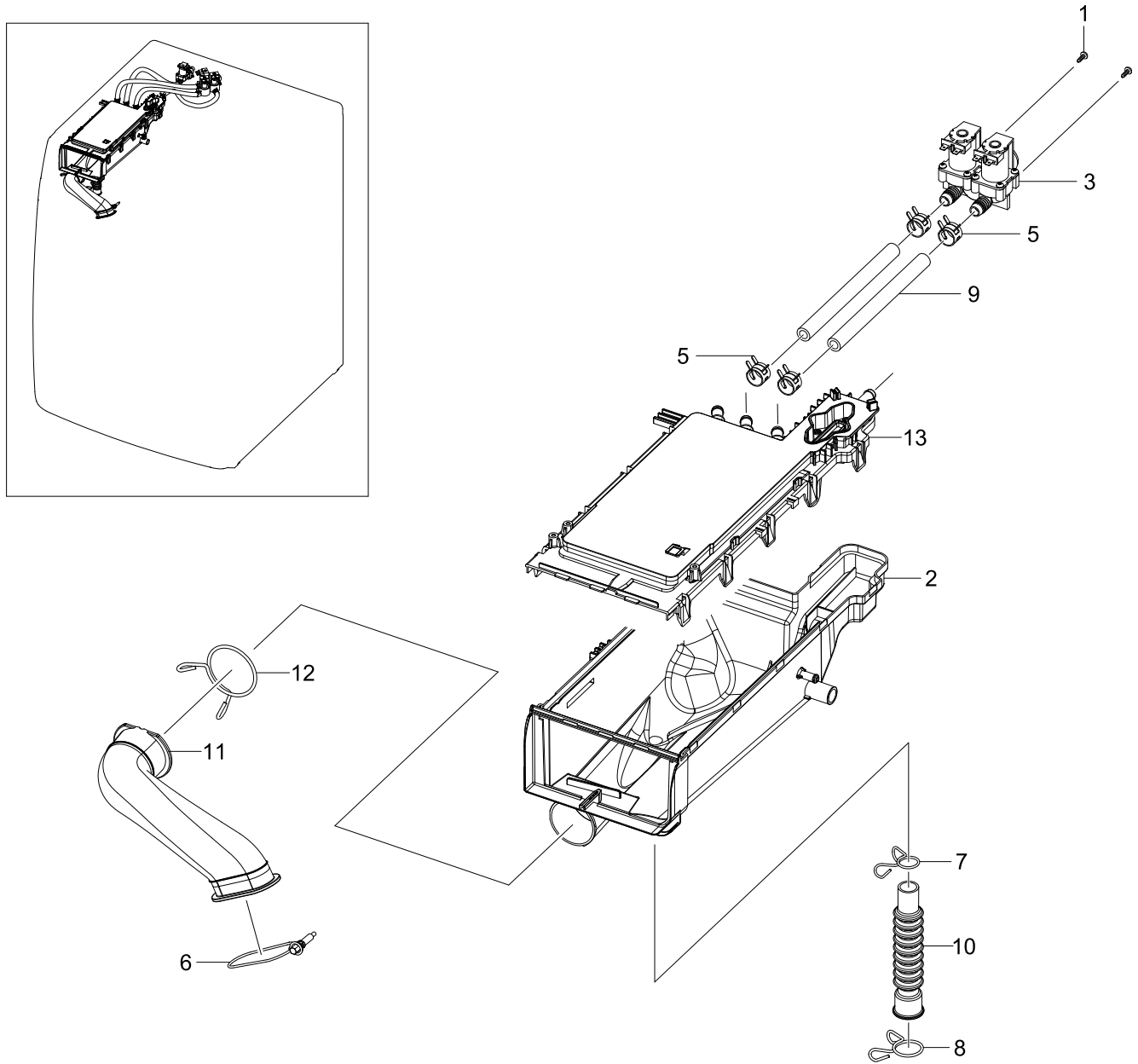
Parts List

No.	Parent	Lvl.	Loc.	Material Code	Description & Specification	SNA	Qty.
1	DC97-16619D	3	WI0125	DC67-00370C	CAP-RINSE; WD1102XVM/XSA,PP,T2.0,W60.5,L2	SA	1
2	DC98-01495B	3	WI0353	DC61-02427D	GUIDE-LIQUID(M); WD1102XVM/XSA,PP,T2.0,FC	SA	1
4	DC98-01495B	3	WI0108	DC67-00444A	CAP-DRAWER; WR-PB168UW,PP,T2.0,W27,L38.7,	SA	1
5	DC97-16619D	3	WR0011	DC97-16898A	ASSY S.DRAWER; YUKON-GLOBAL,WD1102XVM/XSA	SA	1
5-1	DC97-16898A	4	WR0029	DC61-01992F	BODY-DRAWER; WD1102XVM/XSA,PP,T2.0,L327.5	SA	1
5-2	DC97-16898A	4	WI0144	DC61-02445A	CASE-PRE WASH; ACE-PJT,PP,T1.8,WHT,TB53	SA	1
6	DC97-16619D	3	WC0017	DC97-16620F	ASSY PANEL DRAWER; YUKON-GLOBAL,WD1102XVM	SA	1
6-1	DC97-16620F	4	WC0114	DC64-02707A	MASCOT; WF431 / DV43,NICKEL,T0.05,W80,L12	SA	1

No.	Parent	Lvl.	Loc.	Material Code	Description & Specification	SNA	Qty.
6-2	DC97-16620F	4	WC0123	DC64-02632A	PANEL-DRAWER; WF431,ABS,T3,W218,L145,H120	SA	1
6-3	DC97-16620F	4	WC0080	DC64-02633A	DECORATION-PANEL DRAWER; WF431,ABS,T2,W14	SA	1

1.6. Housing Drawer

Exploded View



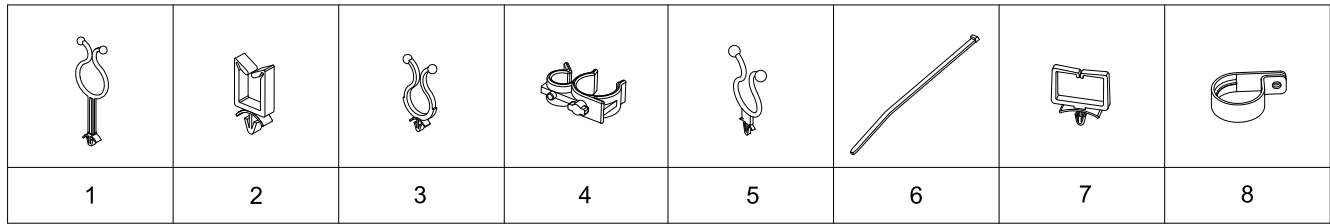
Parts List

No.	Parent	Lvl.	Loc.	Material Code	Description & Specification	SNA	Qty.
1	DC90-09357A	2	WX0500	6003-001563	SCREW-TAPTYPE; TH,+,S,M4,L8,Ni PLT,SWRCH1	SA	2
2	DC97-14522R	3	WR0039	DC61-01987B	HOUSING-DRAWER(L); WF438AAW,PP(FH44N),T1.	SA	1
3	DC97-14522R	3	WE5152	DC62-00024M	VALVE-WATER; V7-PJT,NYLON,2WAY,MAX 10BAR,	SA	1
5	DC97-14522R	3		DC65-00008A	CLAMPER HOSE; SEW-DR605,SK5,-,-,YEL,ID14.	SNA	4

No.	Parent	Lvl.	Loc.	Material Code	Description & Specification	SNA	Qty.
6	DC97-14522R	3		DC65-00020A	CLAMPER HOSE-JOINT; WF448AAW,HSWR,-,ID69.	SNA	1
7	DC97-14522R	3	WJ0027	DC65-60118N	CLIP-RING; SEW-5HW116,HSWR,T2.0,ZPC2/WHT,	SNA	1
8	DC97-15298A	4	WJ0027	DC65-60125B	CLIP-RING; HSWR,T2.4,PI25,YEL	SNA	1
9	DC97-14522R	3	WH5267	DC67-00051B	HOSE-DRAWER; Q1636GW/XEU,EPDM,ID9.0,OD14.	SA	1
10	DC97-14522R	3	WH5217	DC67-00275A	HOSE-AIR; SEW-HTR122L,EPDM,ID22,OD26,T2.0	SA	1
11	DC97-14522R	3	WH5211	DC67-00317A	HOSE-DRAWER TUB; WF448AAW,EPDM,ID 49,OD 6	SA	1
12	DC97-14522R	3	WJ0027	DC72-00001A	CLIP-RING; DRUM-MODEL,HSWR,YEL,ID49.5	SA	1
13	DC97-14522R	3	WR0012	DC97-16597C	ASSY S.HOUSING DRAWER; YUKON-GLOBAL,WF431	SA	1

1.7. Small Parts

Exploded View



Parts List

No.	Parent	Lvl.	Loc.	Material Code	Description & Specification	SNA	Qty.
1	DC97-14603K	4	WI0293	DC61-01736B	HOLDER-WIRE; WF337AAW,NYLON66,OD31,H15,L1	SNA	2
2	DC97-14843E	3	WI0294	DC61-00553B	HOLDER-WIRE SADDLE; PA,NTR,DAWS-3NE	SA	2
3	DC97-14603K	4	WI0293	DC61-40081A	HOLDER-WIRE; DAWH-2NC,PA,NTR(PI19.4)	SA	1
4	DC90-09359A	2		DC61-00133A	CLAMPER HOSE-FIX; P1291,PP,ID24.5,OD29.5,	SNA	1
5	DC97-14603K	4		6502-000127	CABLE CLAMP; DAWH-18NB,ID15,-,NYLON66,NTR	SNA	4
6	DC98-01495B	3	WJ0021	6501-000121	CABLE TIE; DA-368,T1.9,W7.5,L368,NTR,NYLO	SNA	1
7	DC90-09359A	2	WI0293	DC61-01736B	HOLDER-WIRE; WF337AAW,NYLON66,OD31,H15,L1	SNA	1
8	DC90-09359A	2		DC61-00118A	CLAMPER HOSE-FIX; P1291,NYLON66,ID27,OD30	SNA	1