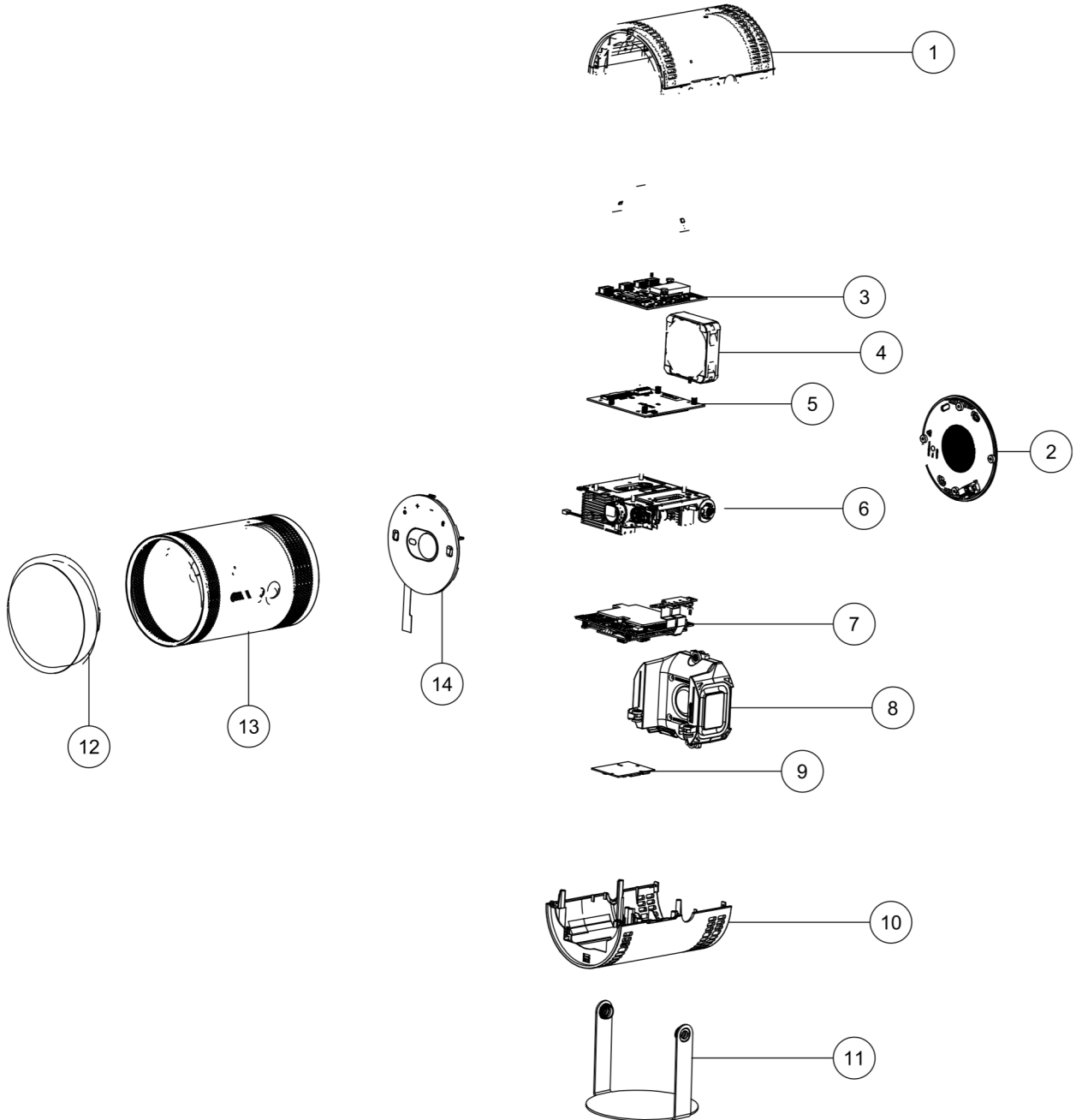


1. SP-LSP3BLAXXE CA01

SP-LSP3BLAXXE CA01

Exploded View



Parts List

No.	Lvl.	Loc.	Material Code	Description & Specification	SNA	Qty.
1	1	C/TOP	BP81-00550A	SVC JDM-COVER TOP; 70.7JQR3GR01,PC LG YEF	SA	1
2	1		BP81-00600A	SVC JDM-COVER BACK; 75.7JQ06A003,PC LG YE	SA	1
3	1		BP81-00565A	SVC JDM-FORMATTER 1; 70.7JQR9GR01,VAF1FH0	SA	1
4	1		BP81-00548A	SVC JDM-FAN; 70.7JQR1GR01,50x15mm FOR SAM	SA	1
5	1		BP81-00564A	SVC JDM-FORMATTER 2; 70.7JQR8GR01,FOR LUX	SA	1
6	1	ENGINE	BP81-00552A	SVC JDM-ENGINE; 70.7JQR5GR01,FOR SAMSUNG	SA	1
7	1		BP81-00562A	SVC JDM-MAIN BD 1; 70.7JQR6GR01,VA00FH065	SA	1
8	1	SPEAKER	BP81-00595A	SVC JDM-SPEAKER; 49.7JQ01A002,LUXO (SUNGJ	SA	1
9	1	C/BOTTOM	BP81-00551A	SVC JDM-COVER BOTTOM; 70.7JQR4GR01,PC LG	SA	1
10	1	C/BOTTOM	BP81-00551A	SVC JDM-COVER BOTTOM; 70.7JQR4GR01,PC LG	SA	1
11	1		BP81-00598A	SVC JDM-CRADLE; 75.7JQ04A004,FOR LUXO PRO	SA	1
12	1		BP81-00597A	SVC JDM-COVER DUST; 75.7JQ02A002,PC LD785	SA	1
13	1		BP81-00542A	SVC JDM-RUBBER ID COVER; 52.7JQ09A001,Whi	SA	1
14	1	C/FRONT	BP81-00549A	SVC JDM-COVER FRONT; 70.7JQR2GR01,PC LG Y	SA	1

2. Electrical Parts List

Electrical Parts List

Level	Loc.	Part Code	Description & Specification	Qty.	SA/SNA
			SP-LSP3BLAXXE (CA01)		
1	FFC	BP81-00532A	SVC JDM-FFC;42.00304H001,51P P=0.5 63mm	1	SA
1	FFC	BP81-00533A	SVC JDM-FFC;42.00308H001,12P P=0.5 160mm	1	SA
1	FFC	BP81-00536A	SVC JDM-FFC;42.00306H001,14P P=0.5 50mm	1	SA
1		BP81-00537A	SVC JDM-USB-C CABLE;42.A0181A00E,DH-21UE	1	SA
1		BP81-00538A	SVC JDM-MYLAR;51.7JQ20G001,WINDSHIELD 0.	1	SA
1		BP81-00541A	SVC JDM-RUBBER SCREW;52.7JQ06G001,D4.71	4	SA
1		BP81-00542A	SVC JDM-RUBBER ID COVER;52.7JQ09A001,Whi	1	SA
1		BP81-00548A	SVC JDM-FAN;70.7JQR1GR01,50x15mm FOR SAM	1	SA
1	C/FRONT	BP81-00549A	SVC JDM-COVER FRONT;70.7JQR2GR01,PC LG Y	1	SA
1	C/TOP	BP81-00550A	SVC JDM-COVER TOP;70.7JQR3GR01,PC LG YEF	1	SA
1	C/BOTTOM	BP81-00551A	SVC JDM-COVER BOTTOM;70.7JQR4GR01,PC LG	1	SA
1	ENGINE	BP81-00552A	SVC JDM-ENGINE;70.7JQR5GR01,FOR SAMSUNG	1	SA
.2		BP81-00573A	SVC JDM-HOLDER CRADLE RATCHET;51.7JQ13A0	1	SA
1		BP81-00557A	SVC JDM-POGO PIN BD;75.7JQ42A001,FOR LUX	1	SA
1	WLAN	BP81-00560A	SVC JDM-NETWORK;75.7JQ43A001,HDWB-2106SA	1	SA
1		BP81-00561A	SVC JDM-IO BOARD;75.7JQ44A001,VAUHH000W	1	SA
1		BP81-00562A	SVC JDM-MAIN BD 1;70.7JQR6GR01,VA00FH065	1	SA
1		BP81-00563A	SVC JDM-MAIN BD 2;70.7JQR7GR01,VA00FH065	1	SA
1		BP81-00564A	SVC JDM-FORMATTER 2;70.7JQR8GR01,FOR LUX	1	SA
1		BP81-00565A	SVC JDM-FORMATTER 1;70.7JQR9GR01,VAF1FH0	1	SA
1		BP81-00567A	SVC JDM-SCREW;85.WA322G05A,PAN HEAD TAP	9	SA
1		BP81-00568A	SVC JDM-SCREW;85.1A622G040,PAN MECH M2*4	20	SA
1		BP81-00587A	SVC JDM-REMOCON;45.7JQ02A001,TM2261S BP5	1	SA
1		BP81-00588A	SVC JDM-ADAPTER;47.7JQ04A001,Solu-M GH44	1	SA
1	CABLE	BP81-00590A	SVC JDM-CABLE;42.0040LG003,W.A. 8P #26 5	1	SA
1	CABLE	BP81-00591A	SVC JDM-CABLE;42.0040KG003,W.A.6P #28 10	1	SA
1	FFC	BP81-00592A	SVC JDM-FFC;42.00309H002,6P P=0.5 65mm M	1	SA
1		BP81-00593A	SVC JDM-TRIPOD HAND SCREW;51.7JQ18H003,L	2	SA
1		BP81-00594A	SVC JDM-COVER IO;51.7JQ09A003,PC WHITE f	1	SA
1	SPEAKER	BP81-00595A	SVC JDM-SPEAKER;49.7JQ01A002,LUXO (SUNGJ	1	SA
1		BP81-00596A	SVC JDM-BOX;55.7JQ01H003,CARTON OUTSIDE	1	SNA
1		BP81-00597A	SVC JDM-COVER DUST;75.7JQ02A002,PC LD785	1	SA
1		BP81-00598A	SVC JDM-CRADLE;75.7JQ04A004,FOR LUXO PRO	1	SA
1		BP81-00599A	SVC JDM-BUTTON;75.7JQ07A002,PC LG LUPOY	1	SA
1		BP81-00600A	SVC JDM-COVER BACK;75.7JQ06A003,PC LG YE	1	SA