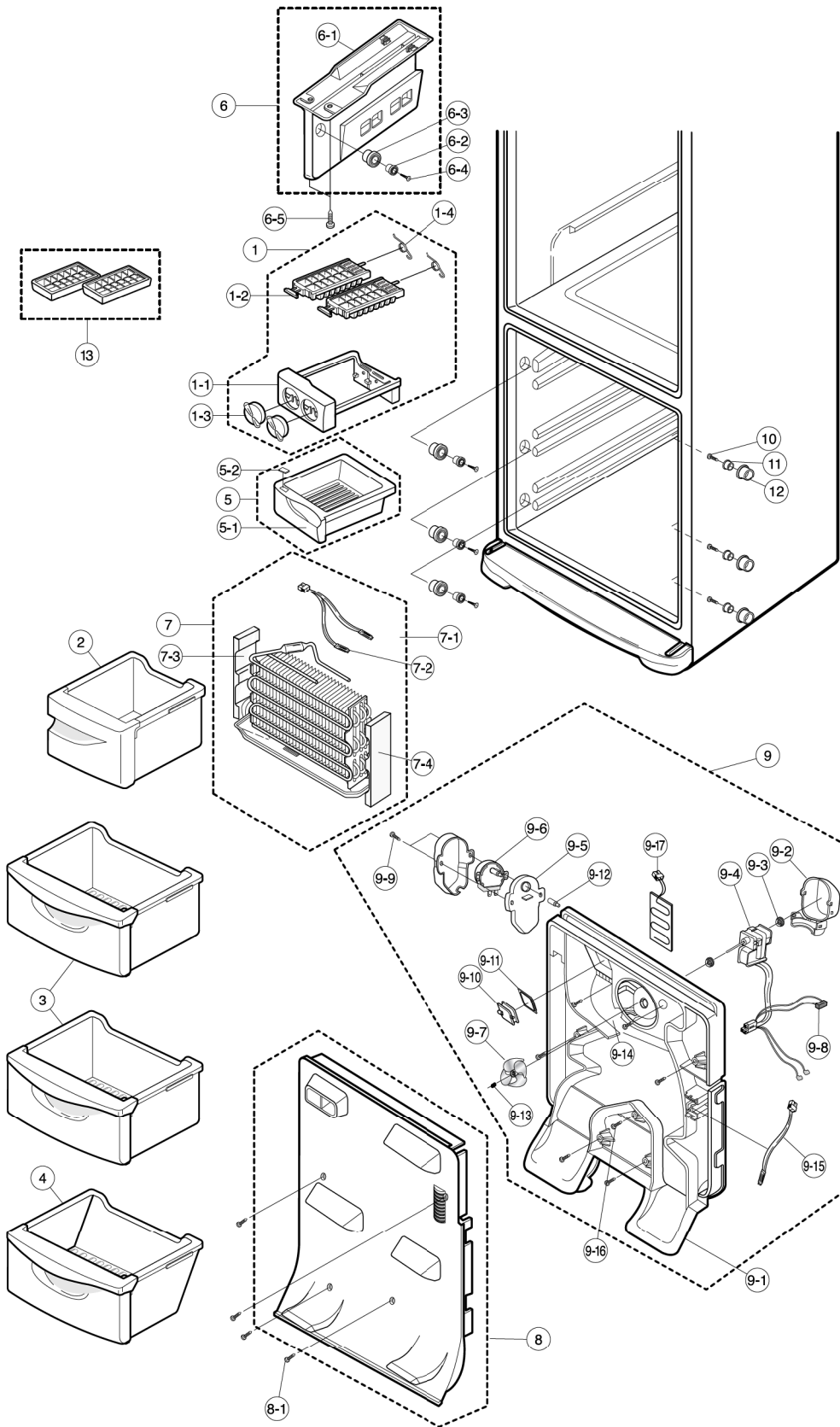
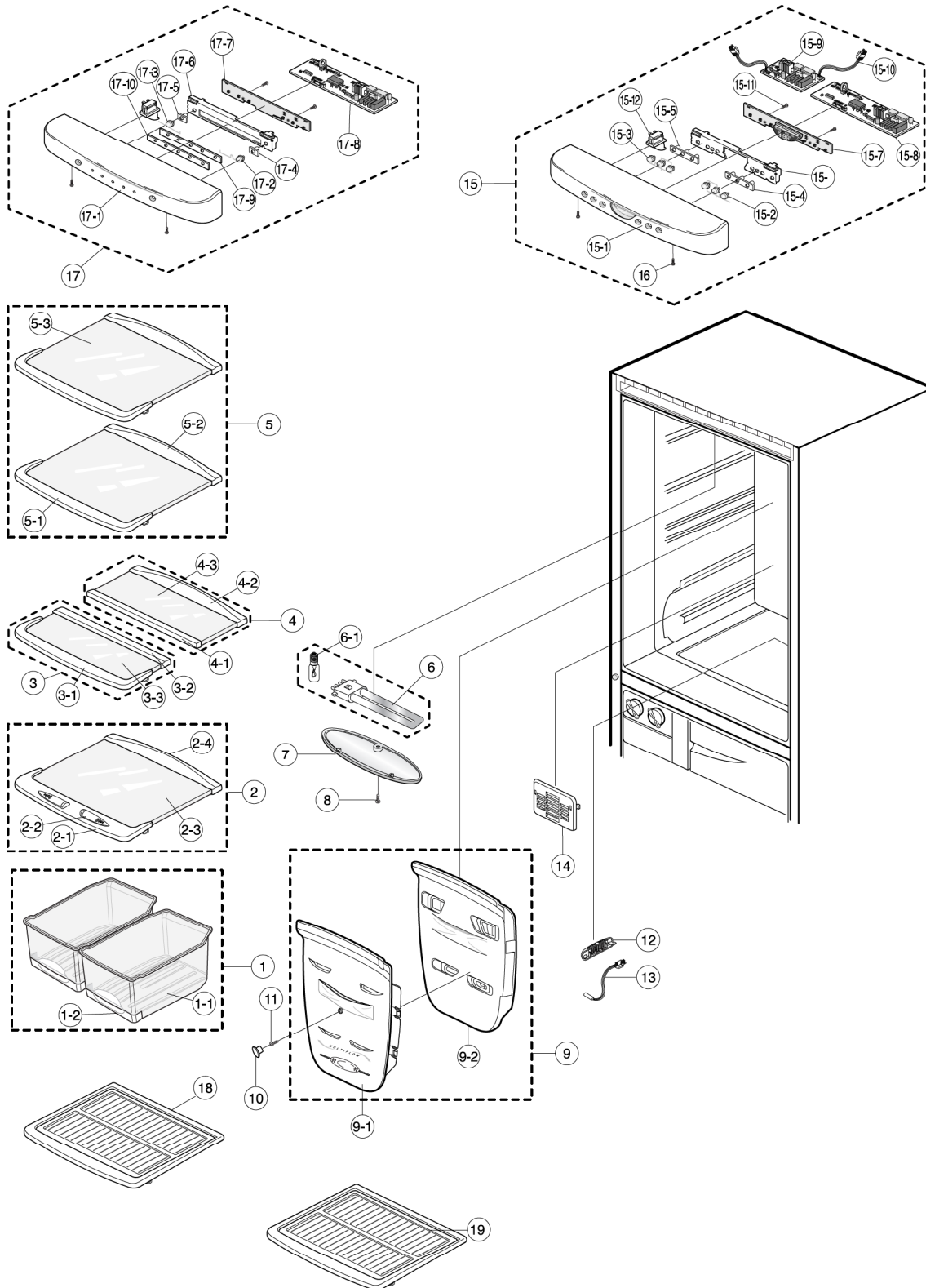


10. Parts List

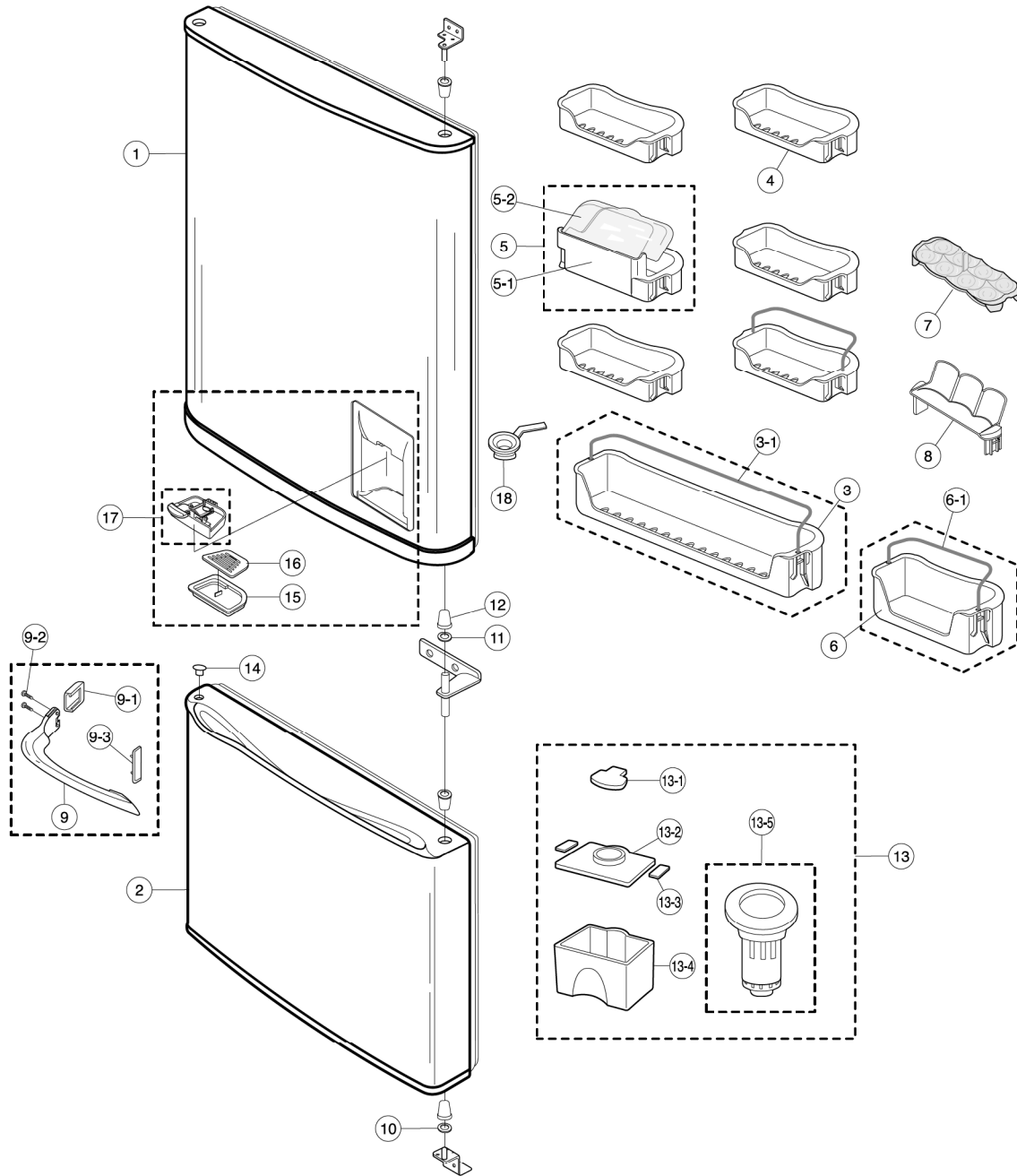
10-1. Freezer Compartment



10-2. Refrigerator Compartment



10-3. Door



10-4. Cabinet Parts & Unit

