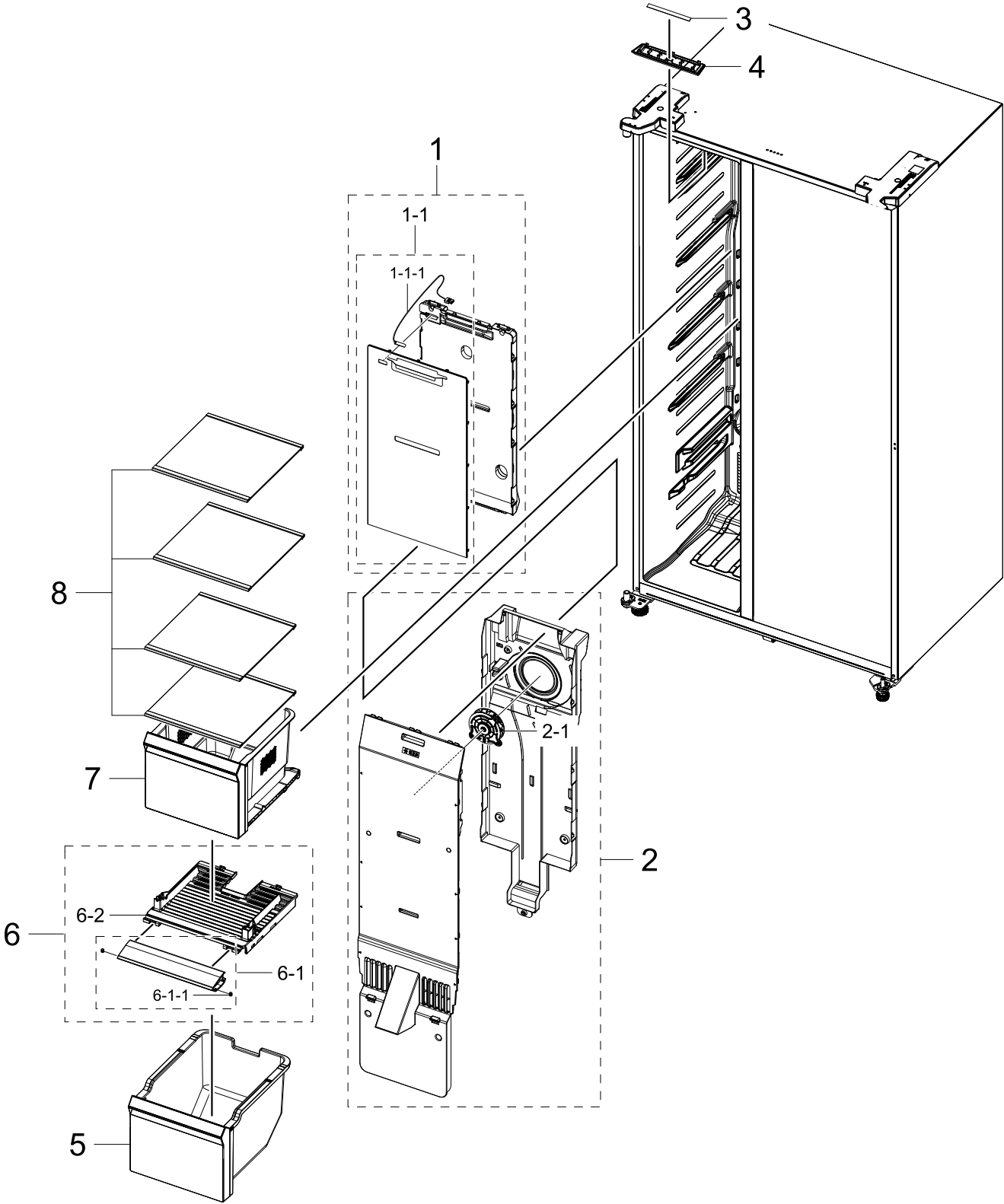


# 1. Freezer

Freezer

Exploded View



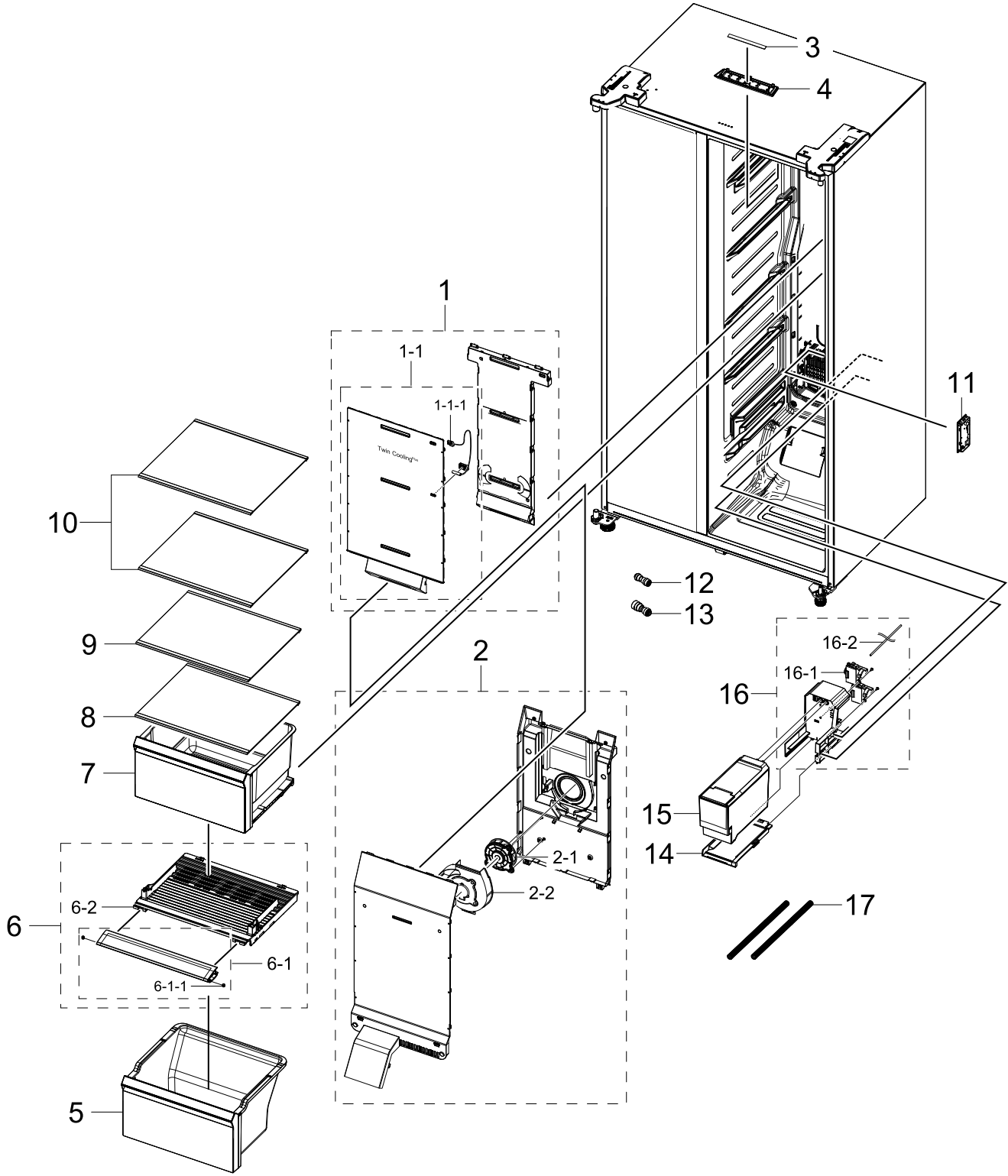
## Parts List

| No.   | Lvl. | Loc.  | Material Code | Description & Specification                  | SNA | Qty. |
|-------|------|-------|---------------|--|-----|------|
| 1     | 2    | M0304 | DA97-21679B   | ASSY COVER MULTI-FRE; RS8000<br>Relaunch,No  | SA  | 1    |
| 1-1   | 3    | M0240 | DA97-21678A   | ASSY COVER MULTI-FRE FRONT; RS8000<br>Relaun | SNA | 1    |
| 1-1-1 | 4    | A1018 | DA32-00070C   | SENSOR TEMP;<br>SC41200-021A,L250,13.2kohm,2 | SA  | 1    |
| 2     | 2    | M0303 | DA97-21681A   | ASSY COVER EVAP-FRE; RS8000 Relaunch         | SA  | 1    |
| 2-1   | 3    |       | DA31-00334D   | MOTOR BLDC<br>FAN;12035GE-12M-YT,1775±7%,12  | SA  | 1    |
| 3     | 2    |       | DA96-01119A   | ASSY LAMP LED;<br>3EA,FR-4,150*12,WHITE,SMAW | SA  | 1    |
| 4     | 2    |       | DA97-21569A   | ASSY COVER LAMP; RB7300T,COVER<br>LAMP, ASSY | SA  | 1    |
| 5     | 2    | A1186 | DA97-19211C   | ASSY CASE BASKET-LOW; RS8000AC,TP<br>GRAY,No | SA  | 1    |
| 6     | 2    |       | DA97-19217C   | ASSY COVER SLIDE; RS8000AC,FRE,<br>GPPS, TP  | SA  | 1    |
| 6-1   | 3    |       | DA97-19505C   | ASSY COVER SLIDE; RS8000AC,FRE,<br>GPPS, TP  | SNA | 1    |
| 6-1-1 | 4    |       | DA63-07113A   | GROMMET-COVER SIDE; HM12,Si                  | SA  | 2    |
| 6-2   | 3    |       | DA61-13023A   | FIXER COVER-FRE;<br>RS8000NC,HIPS,NATURAL,57 | SNA | 1    |
| 7     | 2    |       | DA97-19210C   | ASSY CASE BASKET-UP; RS8000AC,TP<br>GRAY,No  | SA  | 1    |
| 8     | 2    |       | DA97-16364K   | ASSY SHELF-FRE LOW;<br>RS8000AC,LUMINOUS TRI | SA  | 4    |

# 2. Fridge

Fridge

Exploded View



**Parts List**

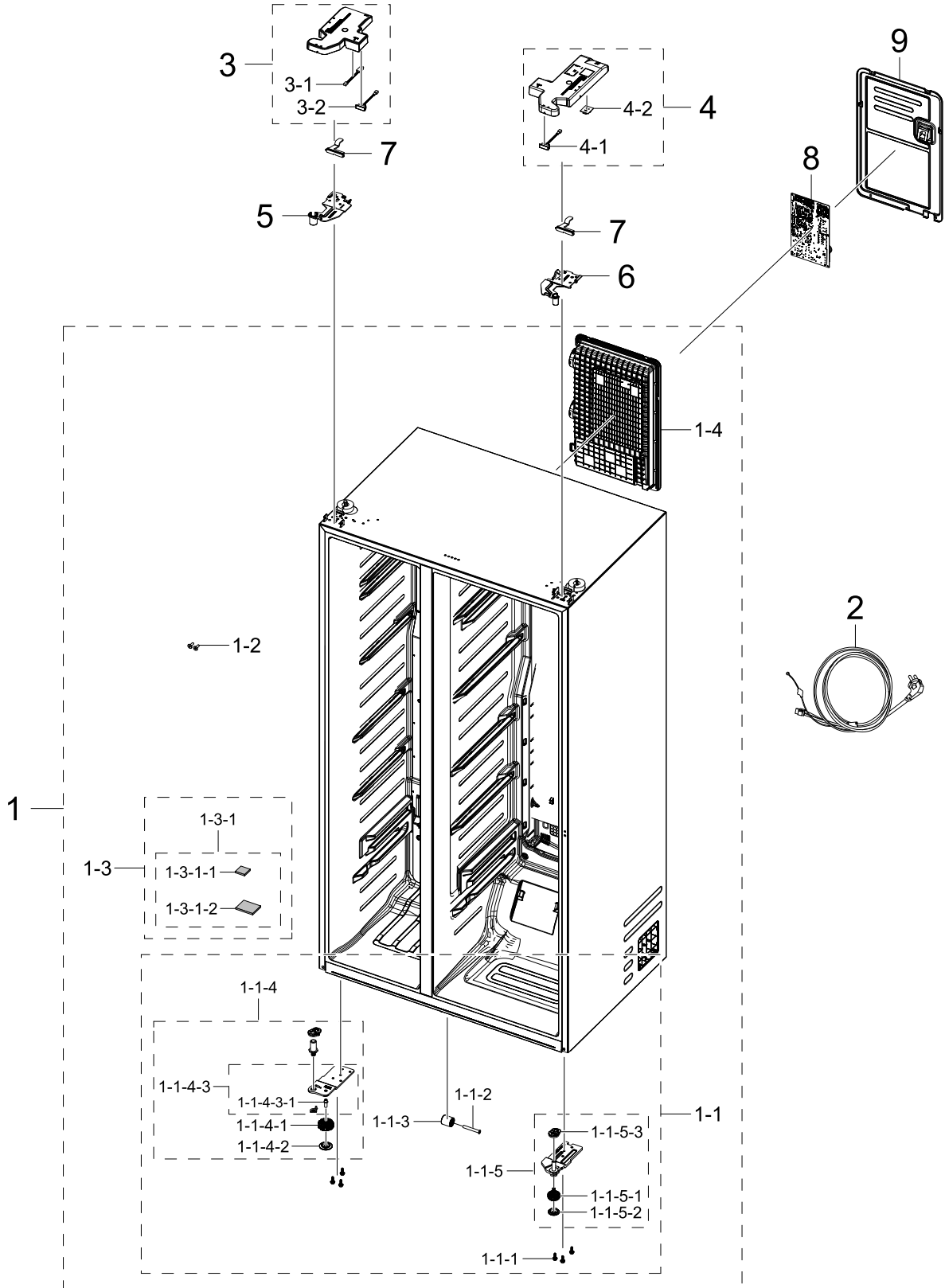
| No.   | Lvl. | Loc.  | Material Code | Description & Specification               | SNA | Qty. |
|-------|------|-------|---------------|---|-----|------|
| 1     | 2    | G0239 | DA97-19189D   | ASSY COVER MULTI-REF; RS8000 Relaunch,No  | SA  | 1    |
| 1-1   | 3    | G0239 | DA97-20247D   | ASSY COVER MULTI-REF; RS8000NC,HIPS,T2.5, | SNA | 1    |
| 1-1-1 | 4    | A1018 | DA32-00070C   | SENSOR TEMP; SC41200-021A,L250,13.2kohm,2 | SA  | 1    |
| 2     | 2    | Z1177 | DA97-19188A   | ASSY COVER EVAP-REF COVER EVAP MODULE; RS | SA  | 1    |
| 2-1   | 3    |       | DA31-00334D   | MOTOR BLDC FAN;12035GE-12M-YT,1775±7%,12  | SA  | 1    |
| 2-2   | 3    |       | DA61-08437A   | GUIDE AIR-REF; HM12,ABS,-,HB,CNTK A-204,B | SA  | 1    |
| 3     | 2    |       | DA96-01119B   | ASSY LAMP LED; 5,FR-4,150*12,WHITE,SMAW25 | SA  | 1    |
| 4     | 2    |       | DA97-21569A   | ASSY COVER LAMP; RB7300T,COVER LAMP, ASSY | SA  | 1    |
| 5     | 2    | M0300 | DA97-19212C   | ASSY CASE VEG-LOW; RS8000AC,TP GRAY,Non P | SA  | 1    |
| 6     | 2    |       | DA97-19218C   | ASSY COVER SLIDE; RS8000AC,REF, GPPS, TP  | SA  | 1    |
| 6-1   | 3    |       | DA97-19504C   | ASSY COVER SLIDE; RS8000AC,REF, GPPS, TP  | SNA | 1    |
| 6-1-1 | 4    |       | DA63-07113A   | GROMMET-COVER SIDE; HM12,Si               | SA  | 2    |
| 6-2   | 3    |       | DA61-13024A   | FIXER COVER-REF; RS8000NC,HIPS,NATURAL,57 | SNA | 1    |
| 7     | 2    |       | DA97-19214C   | ASSY CASE VEG-UP; RS8000AC,TP GRAY,No Pri | SA  | 1    |
| 8     | 2    |       | DA97-16363K   | ASSY SHELF-REF LOW; RS8000AC,NON-PLUMBING | SA  | 1    |
| 9     | 2    |       | DA97-16363J   | ASSY SHELF-REF LOW; RS8000AC,LUMINOUS TRI | SA  | 1    |
| 10    | 2    |       | DA97-16362K   | ASSY SHELF-REF UP; RS8000AC,LUMINOUS TRIM | SA  | 2    |
| 11    | 2    | A0626 | DA97-21005J   | ASSY COVER CONTROL; RS8000 F/L,I/M        | SA  | 1    |
| 12    | 2    | T0093 | DA60-00258B   | FITTING TUBE; PP,ID1/4,1/4'- 1/4'         | SA  | 1    |
| 13    | 2    | T0094 | DA60-00259B   | FITTING TUBE; TUBE FITTING B,PP,1/4'-5/16 | SA  | 1    |
| 14    | 2    |       | DA61-13117A   | GUIDE RAIL; RS8000NC,HIPS,COOL WHITE,576H | SA  | 1    |
| 15    | 2    | M0042 | DA97-15758A   | ASSY TANK WATER; FSR                      | SA  | 1    |
| 16    | 2    | A0662 | DA97-19119A   | ASSY CASE MOTOR; RS8000NC,Non-Plumbing    | SA  | 1    |
| 16-1  | 3    | A0664 | DA97-15781A   | ASSY COVER MOTOR; FSR                     | SA  | 2    |

| No.  | Lvl. | Loc.  | Material Code | Description & Specification               | SNA | Qty.  |
|------|------|-------|---------------|---|-----|-------|
| 16-2 | 3    | G0526 | DA62-01368F   | PIPE-WATER LINE; Dispenser Model,HDPE,OD6 | SA  | 2.241 |
| 17   | 2    | M0288 | DA62-00160C   | PIPE-WATER LINE OUT; AD,TPE,OD13.5,T2.5,N | SA  | 2     |

# 3. Cabinet

Cabinet

Exploded View



## Parts List

| No.       | Lvl. | Loc.  | Material Code | Description & Specification                  | SNA | Qty. |
|-----------|------|-------|---------------|--|-----|------|
| 1         | 2    |       | DA97-22142F   | ASSY CABI FORM-CABI MODULE;<br>RS8000 F/L,UR | SNA | 1    |
| 1-1       | 3    |       | DA97-19254H   | ASSY CABI-BOTTOM; RS8000NC,PP<br>SCRAP,SNOW  | SNA | 1    |
| 1-1-1     | 4    | A0564 | DA60-10123C   | BOLT-HEX;<br>M6,L24,ZPC(WHT),SWRCH18A,HWH He | SA  | 6    |
| 1-1-2     | 4    | M0146 | DA61-01920A   | FIXER-CASTER;<br>ZPC2,SWRCH10A,OD8.0,L58     | SA  | 1    |
| 1-1-3     | 4    | M0145 | DA61-04702A   | CASTER-FRONT; AW-PJT,PP,BLACK                | SA  | 1    |
| 1-1-4     | 4    |       | DA97-14046B   | ASSY HINGE-LOW LEFT; FSR<br>CD,DISPENSER     | SA  | 1    |
| 1-1-4-1   | 5    | A0577 | DA61-07972B   | FOOT-FRONT;<br>POLARIS,PP,BLACK,-,RM60,INSER | SA  | 1    |
| 1-1-4-2   | 5    | A0863 | DA61-07973B   | FOOT; POLARIS,PP,BLACK,-,RM60,PP_S           | SA  | 1    |
| 1-1-4-3   | 5    |       | DA61-09275B   | HINGE-LOW LEFT; FSR<br>CD,PO-SPHC,T5,-,DIS   | SNA | 1    |
| 1-1-4-3-1 | 6    | A0517 | DA66-00793A   | SHAFT-LEG FRONT;<br>POLARIS,SWRCH10A,BLACK,E | SA  | 1    |
| 1-1-5     | 4    |       | DA97-19056A   | ASSY HINGE-LOW RIGHT;<br>RS8000NC,T7,2DOOR   | SA  | 1    |
| 1-1-5-1   | 5    | A0577 | DA61-09458A   | FOOT-FRONT; PP,I<br>BLACK,0103-001846,0103-0 | SA  | 1    |
| 1-1-5-2   | 5    | A0863 | DA61-09459A   | FOOT; PP,I<br>BLACK,0103-001846,0103-007621, | SA  | 1    |
| 1-1-5-3   | 5    |       | DA66-00891A   | CAM-HINGE RISER REF LOW; MONTES<br>ALPHA,PA6 | SA  | 1    |
| 1-2       | 3    | G0412 | 6002-001120   | SCREW-TAPPING;<br>FH,+,1,M4,L18,ZPC(WHT),SWR | SA  | 2    |
| 1-3       | 3    |       | DA97-21750B   | ASSY PIPE SUCTION; RS8000NC F/L,A++,<br>in-h | SNA | 1    |
| 1-3-1     | 4    |       | DA97-21750A   | ASSY PIPE SUCTION; RS8000NC F/L,A++,<br>OD7. | SNA | 1    |
| 1-3-1-1   | 5    |       | DA62-01018A   | SEAL CUTT-RUBBER;<br>RR2500K,RUBBER,T5,W50,L | SA  | 1    |
| 1-3-1-2   | 5    |       | DA72-60040W   | SEAL-CUTT RUBBER;<br>TD-PJT,RUBBER,T5,W35,L3 | SA  | 1    |
| 1-4       | 3    |       | DA61-14706A   | CASE PBA; RS8000NC,PP,INNER<br>GRAY,NF-6068R | SA  | 1    |
| 2         | 2    | A0273 | 3903-001025   | POWER CORD-AT; H05VV-F<br>3x0.75mm2,BLK,GB3F | SA  | 1    |
| 3         | 2    |       | DA97-19247A   | ASSY COVER HINGE-UP LEFT;<br>RS8000NC,ABS,2. | SA  | 1    |
| 3-1       | 3    | A1108 | DA32-00074A   | SENSOR HUMIDITY; 5V,0~100%RH,REF             | SA  | 1    |
| 3-2       | 3    |       | DA34-00043J   | SWITCH REED; UL1007 AWG 22,50mm              | SA  | 1    |

## Exploded Views and Parts List

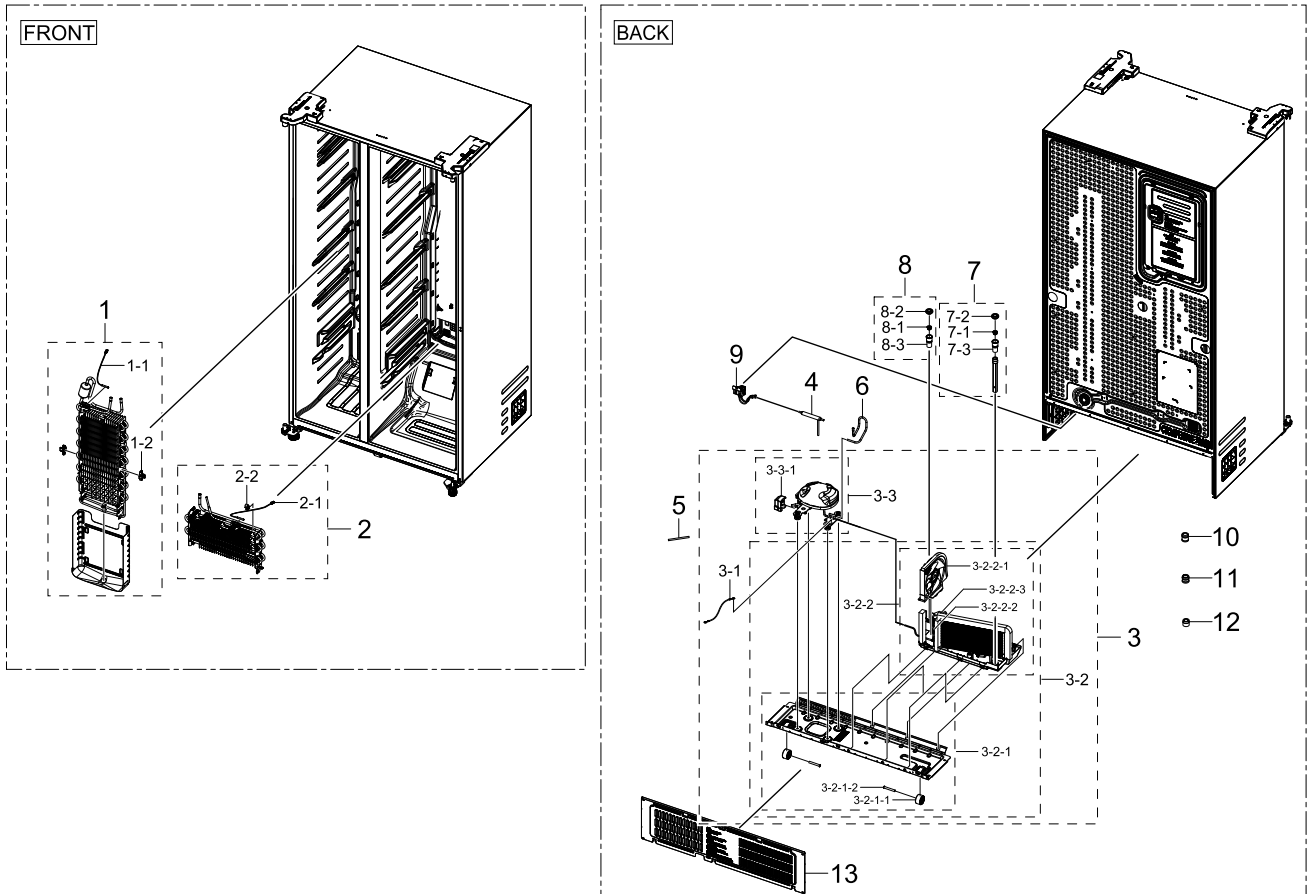
| No. | Lvl. | Loc. | Material Code | Description & Specification                  | SNA | Qty. |
|-----|------|------|---------------|--|-----|------|
| 4   | 2    |      | DA97-21758A   | ASSY COVER HINGE-UP RIGHT;<br>RS8000AC,INOX  | SA  | 1    |
| 4-1 | 3    |      | DA34-00043J   | SWITCH REED; UL1007 AWG 22,50mm              | SA  | 1    |
| 4-2 | 3    |      | DA92-00817A   | ASSY MODULE; BUZZER<br>PBA,RB6000K,Standard  | SA  | 1    |
| 5   | 2    |      | DA97-19227A   | ASSY HINGE-UP LEFT; RS8000NC,BLK             | SA  | 1    |
| 6   | 2    |      | DA97-19132A   | ASSY HINGE-UP RIGHT; RS8000NC,BLK            | SA  | 1    |
| 7   | 2    |      | DA61-04932B   | FIXER-HINGE; PO-SPHC,T3,Zn coating           | SA  | 2    |
| 8   | 1    |      | DA94-05748K   | ASSY PCB EEPROM;<br>0x56,D601,D603,D605,D607 | SA  | 1    |
| 9   | 2    |      | DA97-13181G   | ASSY COVER PBA-MAIN; RS8000,T0.5             | SA  | 1    |



## 4. Cycle

Cycle

### Exploded View



### Parts List

| No. | Lvl. | Loc.  | Material Code | Description & Specification                  | SNA | Qty. |
|-----|------|-------|---------------|--|-----|------|
| 1   | 2    | A0163 | DA96-01316C   | ASSY EVAP-FRE EVAP MODULE;<br>RS8000NC,FIN T | SA  | 1    |
| 1-1 | 3    | A1018 | DA32-00070Q   | SENSOR TEMP;<br>DOUBLE_INSULATION,L200,13.2k | SA  | 1    |
| 1-2 | 3    | G0205 | DA61-04921B   | FIXER-HEATER FRE;<br>HERMES-PJT,PP,NATURAL,F | SA  | 2    |
| 2   | 2    | A0184 | DA96-01318A   | ASSY EVAP-REF EVAP MODULE;<br>RS8000NC,FIN T | SA  | 1    |
| 2-1 | 3    | A1018 | DA32-00070Q   | SENSOR TEMP;<br>DOUBLE_INSULATION,L200,13.2k | SA  | 1    |
| 2-2 | 3    |       | DA61-06013B   | FIXER WIRE;<br>AW3-PJT,PP,T2,NATURAL,HB,BJ75 | SA  | 1    |
| 3   | 2    |       | DA97-22145C   | ASSY COMP N CONDENSING-COND<br>MODULE; RS800 | SNA | 1    |

Exploded Views and Parts List

| No.     | Lvl. | Loc.  | Material Code  | Description & Specification                                   | SNA | Qty. |
|---------|------|-------|----------------|---|-----|------|
| 3-1     | 3    | A0562 | DA39-20389L    | ASSY WIRE HARNESS-EARTH;<br>EARTH,ALL,FREE V                  | SA  | 1    |
| 3-2     | 3    |       | DA97-19448A    | ASSY CHASSIS; RS8000NC  | SNA | 1    |
| 3-2-1   | 4    | A0526 | DA97-19127A    | ASSY CHASSIS COMP;<br>RS8000NC,GI-SGCC,1.0                    | SA  | 1    |
| 3-2-1-1 | 5    | A0527 | DA61-04703A    | CASTER-REAR;<br>AW-PJT,PP,BLACK,M/B(0103-002                  | SA  | 2    |
| 3-2-1-2 | 5    | M0212 | DA66-00649B    | SHAFT-CASTER;<br>POLARIS,MSWR10,L44,ID8.0,OD                  | SA  | 2    |
| 3-2-2   | 4    | A0529 | DA97-19128A    | ASSY TRAY DRAIN WATER; RS8000NC                               | SA  | 1    |
| 3-2-2-1 | 5    | M0116 | DA97-20025B    | ASSY SUPPORT-CIRCUIT MOTOR;<br>RS5000RC,C160                  | SA  | 1    |
| 3-2-2-2 | 5    |       | DA97-20131A    | ASSY PIPE IMMERSING;<br>RS8000NC,TSW,OD4.76,                  | SA  | 1    |
| 3-2-2-3 | 5    |       | DA97-20140A    | ASSY PIPE IMMERSING;<br>RS8000NC,TSW,OD4.76,                  | SA  | 1    |
| 3-3     | 3    |       | NF54M5151ARAK3 | CMP,COMP,REFRIGERATOR,R-600A;<br>CMP,COMP,REFRIGERATOR,R-600A |     | 1    |
| 3-3-1   | 4    | Z1032 | DA63-06122A    | COVER RELAY;<br>MSV,MPPE,T2,BLACK,N300X,V-0                   | SA  | 1    |
| 4       | 2    | A0669 | DA62-04309A    | DRYER; C1220T-H,L137,SINGLE<br>MOUTH,OD15.8,                  | SA  | 1    |
| 5       | 2    | A0523 | DA73-10190U    | PIPE-CONNECT DISC,B;<br>ALL,C1220T,Cu,OD6.35                  | SA  | 1    |
| 6       | 2    |       | DA62-05167A    | PIPE CONNECT-SUCTION;<br>RS8000NC,Cu,OD6.35,                  | SA  | 1    |
| 7       | 2    | M0067 | DA97-04049D    | ASSY CAP-DRAIN;<br>AW,ASSY,-,-,L224.5,-,FIXE                  | SA  | 1    |
| 7-1     | 3    | A0336 | DA61-05021A    | FIXER-DRAIN; HAEMIL,PP,T0.6,CARMEN<br>WINE,B                  | SA  | 1    |
| 7-2     | 3    |       | DA63-02761A    | GROMMET-DRAIN; RS18RK,NBR,BLACK                               | SA  | 1    |
| 7-3     | 3    | A0492 | DA67-01301A    | CAP-DRAIN;<br>AW4,HIPS,HB,576H,NATURAL                        | SA  | 1    |
| 8       | 2    |       | DA97-18856A    | ASSY CAP DRAIN; RQ9500M                                       | SA  | 1    |
| 8-1     | 3    | A0336 | DA61-05021A    | FIXER-DRAIN; HAEMIL,PP,T0.6,CARMEN<br>WINE,B                  | SA  | 1    |
| 8-2     | 3    |       | DA63-02761A    | GROMMET-DRAIN; RS18RK,NBR,BLACK                               | SA  | 1    |
| 8-3     | 3    | A0492 | DA67-01301A    | CAP-DRAIN;<br>AW4,HIPS,HB,576H,NATURAL                        | SA  | 1    |
| 9       | 2    |       | DA62-04678B    | VALVE STEP;<br>DC12V,MODULE,2WAY,RIGHT/RIGHT                  | SA  | 1    |
| 10      | 2    |       | DA60-00279A    | FITTING LOCK RING;<br>SUM23,-,SILVER,-,-,16,                  | SA  | 1    |
| 11      | 2    |       | DA60-00280A    | FITTING-LOKRING 33; SUM23,ID3/16,33,<br>11SM                  | SA  | 1    |

| No. | Lvl. | Loc.  | Material Code | Description & Specification                  | SNA | Qty. |
|-----|------|-------|---------------|--|-----|------|
| 12  | 2    |       | DA60-00281A   | FITTING LOCK SLEEVE;<br>SUM23,ID5.02,11SMnPb | SA  | 1    |
| 13  | 2    | M0076 | DA97-19123A   | ASSY COVER COMP;<br>RS8000NC,GI-SGCC,T0.25   | SA  | 1    |



## Parts List

| No.         | Lvl. | Loc.  | Material Code | Description & Specification                  | SNA | Qty. |
|-------------|------|-------|---------------|--|-----|------|
| 1           | 2    |       | DA93-00955B   | ASSY DOOR SUB-FRE DOOR MODULE;<br>RS8000 F/L | SNA | 1    |
| 1-1         | 3    | M0063 | DA91-05447A   | ASSY DOOR FOAM-FRE;<br>RS8000NC,8SERIES      | SA  | 1    |
| 1-1-1       | 4    |       | DA97-21735A   | ASSY PLATE DOOR-FRE;<br>RS8000NC,8SERIES,REC | SNA | 1    |
| 1-1-1-1     | 5    |       | DA97-19228M   | ASSY CASE DISPENSER;<br>RS8000NC,DARK GRAY,F | SNA | 1    |
| 1-1-1-1-1   | 6    | A0842 | 3405-001117   | SWITCH-MICRO;<br>125/250VAC,1A,80gf,SPST-NO  | SA  | 1    |
| 1-1-1-1-2   | 6    |       | DA97-19028A   | ASSY CASE ICE ROUTE; RS8000NC,220V           | SA  | 1    |
| 1-1-1-1-2-1 | 7    | M0200 | DA31-00079A   | MOTOR GEARED AC DISP;<br>MVL15AR11/MCFA182A  | SA  | 1    |
| 1-1-1-2     | 5    | A0047 | DA97-19263D   | ASSY CAP DOOR-FRE LOW;<br>RS8000NC,2DOOR, 3D | SNA | 1    |
| 1-1-1-2-1   | 6    | G0412 | 6002-000524   | SCREW-TAPPING;<br>TH,+,2S,M4,L20,ZPC(WHT),SW | SA  | 3    |
| 1-1-1-2-2   | 6    |       | DA61-07527A   | STOPPER-DOOR FRE LOW;<br>POLARIS,PO-SPHC,T4. | SA  | 1    |
| 1-1-1-2-3   | 6    | M0265 | DA66-00558B   | CAM HINGE-RISER UPP L;<br>POLARIS,PA66+GF15% | SA  | 1    |
| 1-1-1-3     | 5    |       | DA97-21732A   | ASSY CAP DOOR-FRE UP;<br>RS8000NC,INOX GRAY, | SNA | 1    |
| 1-1-1-3-1   | 6    | G0412 | 6002-001547   | SCREW-TAPPING;<br>SWRCH18A,ZPC(WHT),L10,M4,F | SA  | 1    |
| 1-1-1-3-2   | 6    | M0060 | DA63-04341A   | COVER-CAP DOOR FRE;<br>GUGGENHEIM,ABS,W61.3, | SA  | 1    |
| 1-1-1-3-3   | 6    |       | DA97-19469A   | ASSY PIPE WATER LINE;<br>RS8000NC,PE-RT,ORAN | SNA | 1    |
| 1-1-1-3-3-1 | 7    | G0526 | DA62-01368F   | PIPE-WATER LINE; Dispenser<br>Model,HDPE,OD6 | SA  | 2.36 |
| 1-1-1-3-4   | 6    |       | DA97-22139A   | ASSY CAP DOOR-FRE UP; RS8000NC<br>F/L,INOX G | SNA | 1    |
| 1-1-1-3-4-1 | 6    |       | DA67-02795C   | CAP-SHAFT HOLE;<br>AW3,ABS,HG-0760GP,SNOW WH | SA  | 1    |
| 1-2         | 3    |       | DA97-19851G   | ASSY GASKET-FRE;<br>RS8000NC,L1642.5,W344.5, | SA  | 1    |
| 1-3         | 3    |       | DA97-19031J   | ASSY COVER DISPENSER; RS8000<br>F/L,DARK GRA | SA  | 1    |
| 1-4         | 3    |       | DA97-21146A   | ASSY LEVER DISPENSER;<br>RS5300T,EBONY BLACK | SA  | 1    |
| 2           | 2    |       | DA97-22143A   | ASSY BUCKET N AUGER-BUCKET<br>MODULE; RS8000 | SNA | 1    |
| 2-1         | 3    | A0105 | DA97-19033C   | ASSY TRAY ICE; RS8000,INDOOR PP I/M          | SA  | 1    |

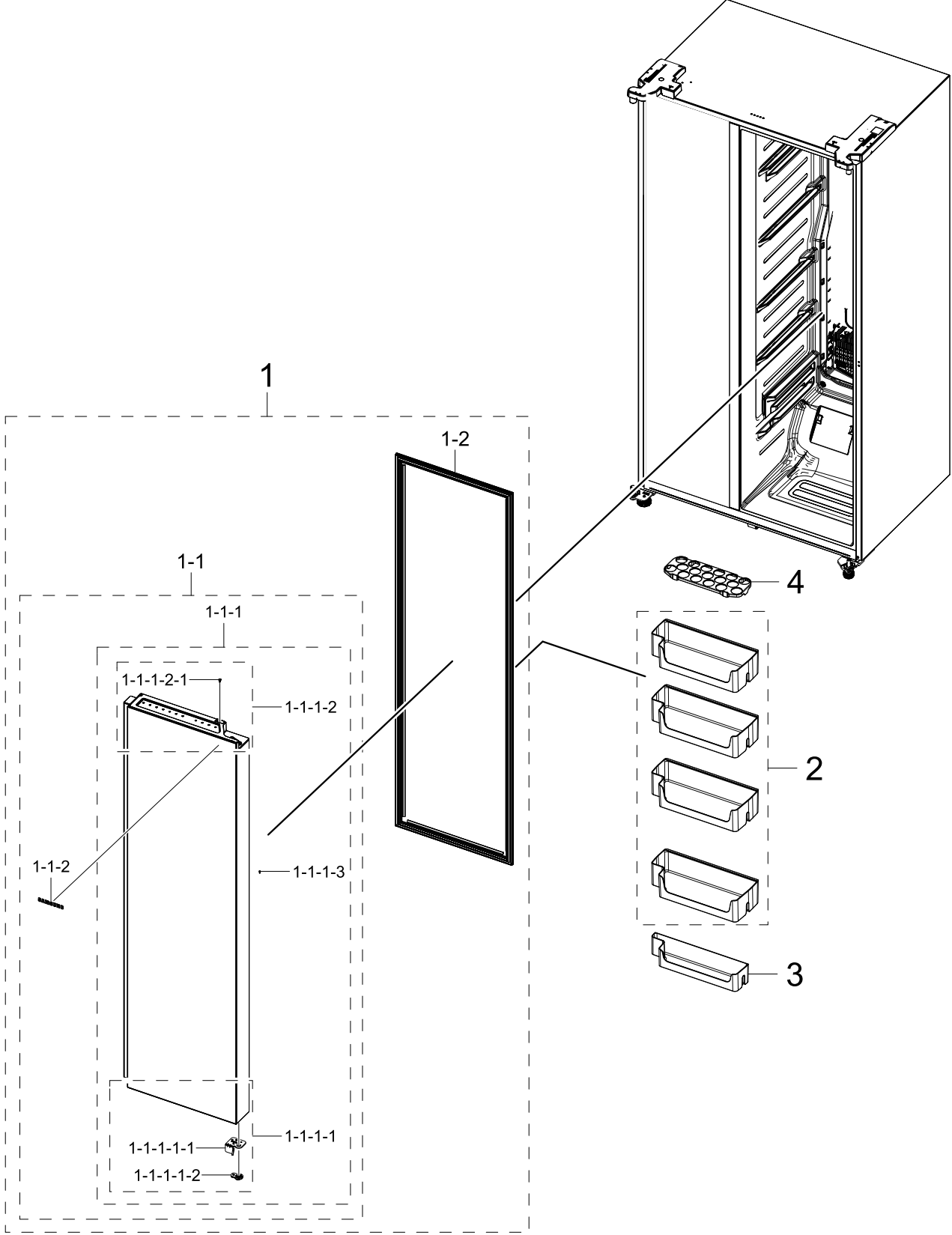
Exploded Views and Parts List

| No.     | Lvl. | Loc.  | Material Code | Description & Specification                  | SNA | Qty. |
|---------|------|-------|---------------|--|-----|------|
| 2-1-1   | 4    |       | DA64-05768A   | WINDOW BUCKET;<br>RS8000NC,PCTG,T4,W290,L175 | SA  | 1    |
| 2-1-2   | 4    |       | DA97-22934B   | ASSY TRAY ICE-BUCKET MODULE;<br>RS8000NC,IND | SNA | 1    |
| 2-1-2-1 | 5    | G0412 | 6002-000473   | SCREW-TAPPING;<br>TH,+,NO,1,M4,L14,PASS,STS3 | SA  | 1    |
| 2-1-3   | 4    |       | DA97-22941A   | ASSY LEVER HANDLE; RS8000NC,COOL<br>WHITE,LE | SNA | 1    |
| 2-1-3-1 | 5    |       | DA66-00587A   | LEVER-BUCKET L;<br>GUGGENHEIM,ABS,W76.7,L19. | SC  | 1    |
| 2-1-4   | 4    |       | DA97-22938A   | ASSY LEVER HANDLE; RS8000NC,COOL<br>WHITE,LE | SNA | 1    |
| 2-1-4-1 | 5    | G0557 | DA66-00588A   | LEVER-BUCKET R;<br>GUGGENHEIM,ABS,W77.2,L70. | SA  | 1    |
| 2-2     | 3    | M0299 | DA97-21751A   | ASSY CASE AUGER MOTOR;<br>RS8000,T2.5,COOL W | SA  | 1    |
| 2-2-1   | 4    |       | DA61-14393A   | SUPPORT CASE AUGER;<br>RS8000,HIPS,T2.5,576H | SA  | 1    |
| 2-2-2   | 4    |       | DA63-09324A   | COVER CASE AUGER;<br>RS8000NC,HIPS,T2.5,HB,N | SA  | 1    |
| 2-2-3   | 4    | G0564 | DA97-00151B   | SWITCH REED; UL1007 AWG<br>22,230,35151-0210 | SA  | 1    |
| 2-2-4   | 4    | G0572 | DA97-11248A   | ASSY-CAM LEVER CUBE; INDOOR                  | SA  | 1    |
| 2-2-5   | 4    |       | DA97-22936A   | ASSY CASE SUB-LOW;<br>RS8000NC,T2.5,COOL WHI | SNA | 1    |
| 2-2-5-1 | 5    | M0199 | DA31-00210E   | MOTOR GEARED AC AUGER;<br>ISG-3245SSB/ORG-45 | SA  | 1    |
| 2-2-5-2 | 5    |       | DA63-05515A   | COVER-MOTOR AUGER COIL;<br>GGH,ABS,-,-,SNOW  | SA  | 1    |
| 2-2-6   | 4    |       | DA97-22937A   | ASSY CASE SUB-UP;<br>RS8000NC,T2.5,COOL WHIT | SNA | 1    |
| 2-2-6-1 | 5    | M0200 | DA31-00079A   | MOTOR GEARED AC DISP;<br>MVLA15AR11/MCFA182A | SA  | 1    |
| 2-3     | 3    | M0247 | DA97-21754A   | ASSY ICE MAKER-MECH; RS8000,COOL<br>WHITE    | SA  | 1    |
| 2-3-1   | 4    |       | DA61-14395A   | SUPPORT CASE AUGER-LEFT;<br>RS8000,ABS,T2.5, | SA  | 1    |
| 2-3-2   | 4    | M0247 | DA97-19010A   | ASSY ICE MAKER-MECH;<br>RS6500KC,12V,INDOOR  | SA  | 1    |
| 3       | 2    |       | DA63-11186A   | COVER ICE-FRE;<br>RS8000AC,HIPS,T2.5,COOL WH | SA  | 1    |
| 4       | 2    | M0366 | DA63-09331C   | GUARD-FRE UP; RS8000NC<br>F/L,GPPS,T3.5,TP G | SA  | 1    |
| 5       | 2    | M0365 | DA63-09332C   | GUARD-FRE LOW; RS8000NC<br>F/L,GPPS,T3.5,TP  | SA  | 1    |

# 6. Door Ref

Door Ref

Exploded View



## Parts List

| No.       | Lvl. | Loc.  | Material Code | Description & Specification                  | SNA | Qty. |
|-----------|------|-------|---------------|--|-----|------|
| 1         | 2    |       | DA93-00954B   | ASSY DOOR SUB-REF DOOR MODULE;<br>RS8000 F/L | SNA | 1    |
| 1-1       | 3    | Z1100 | DA91-05450A   | ASSY DOOR FOAM-REF;<br>RS8000NC,8SERIES, DEC | SA  | 1    |
| 1-1-1     | 4    |       | DA97-21739A   | ASSY PLATE DOOR-REF;<br>RS8000NC,8SERIES,LON | SNA | 1    |
| 1-1-1-1   | 5    | A0048 | DA97-19771A   | ASSY CAP DOOR-REF LOW;<br>RS8000NC,BLACK,2DO | SNA | 1    |
| 1-1-1-1-1 | 6    | A1017 | DA61-07526A   | STOPPER-DOOR REF LOW;<br>POLARIS,PO-SPHC,T4. | SA  | 1    |
| 1-1-1-1-2 | 6    | G0554 | DA66-00557A   | CAM HINGE-RISER UPP R;<br>GUGGENHEIM,PA66+GF | SA  | 1    |
| 1-1-1-2   | 5    |       | DA97-21731A   | ASSY CAP DOOR-REF UP;<br>RS8000NC,INOX GRAY, | SNA | 1    |
| 1-1-1-2-1 | 6    |       | DA67-02795C   | CAP-SHAFT HOLE;<br>AW3,ABS,HG-0760GP,SNOW WH | SA  | 1    |
| 1-1-1-3   | 5    | G0412 | 6002-001547   | SCREW-TAPPING;<br>SWRCH18A,ZPC(WHT),L10,M4,F | SA  | 1    |
| 1-1-2     | 4    | M0196 | DA64-04020C   | MASCOT; ALL,Ni,T0.06,L80                     | SA  | 1    |
| 1-2       | 3    |       | DA97-19851E   | ASSY GASKET-REF;<br>RS8000NC,L1642.5,W469.5, | SA  | 1    |
| 2         | 2    | M0447 | DA63-09329C   | GUARD-REF UP; RS8000NC<br>F/L,GPPS,T3.5,TP G | SA  | 4    |
| 3         | 2    | M0369 | DA63-09330C   | GUARD-REF LOW; RS8000NC<br>F/L,GPPS,T3.5,TP  | SA  | 1    |
| 4         | 2    | A0656 | DA67-40322A   | TRAY EGG; SR-51.55.59,GPPS,TP BLUE           | SA  | 1    |