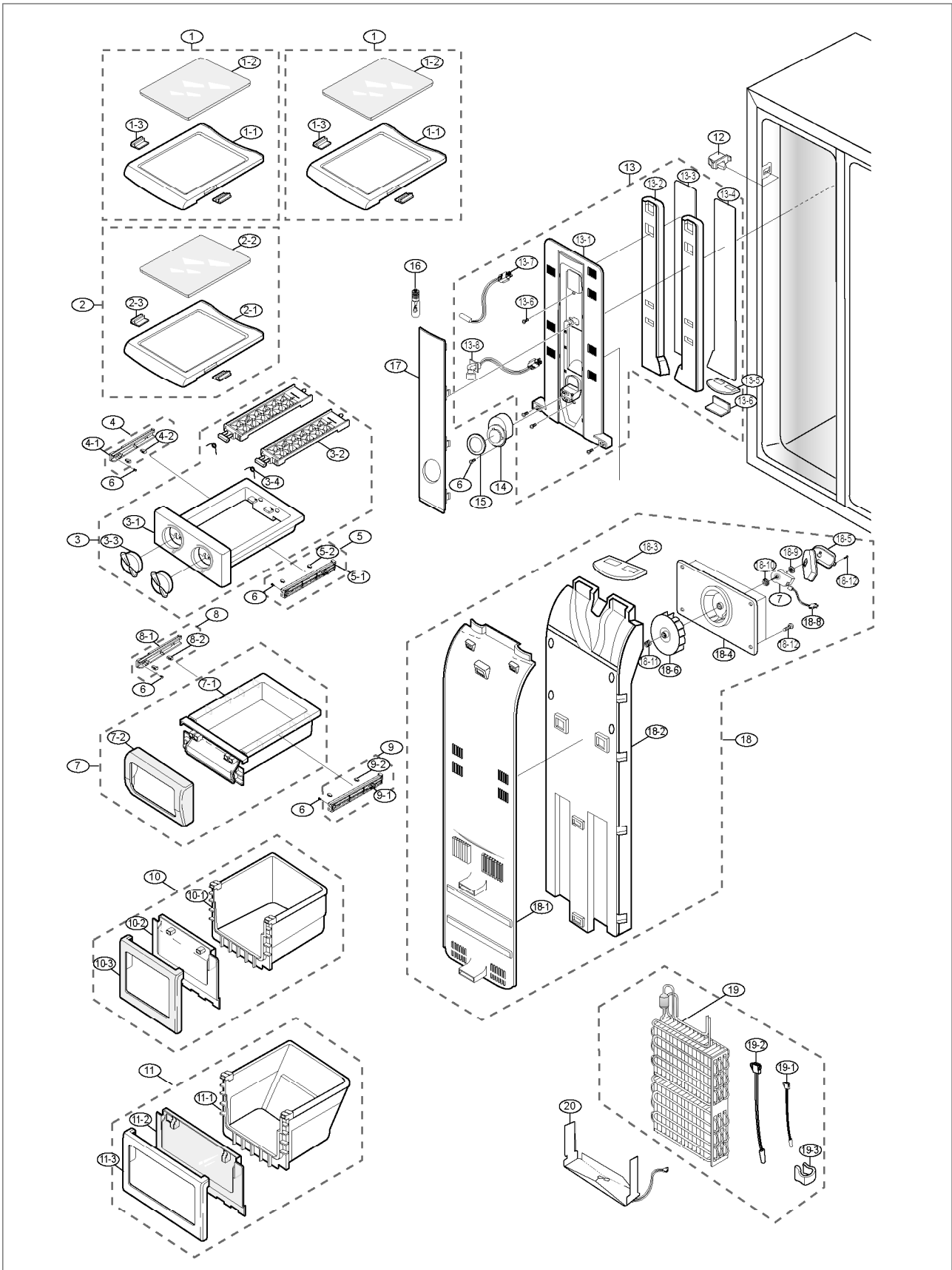


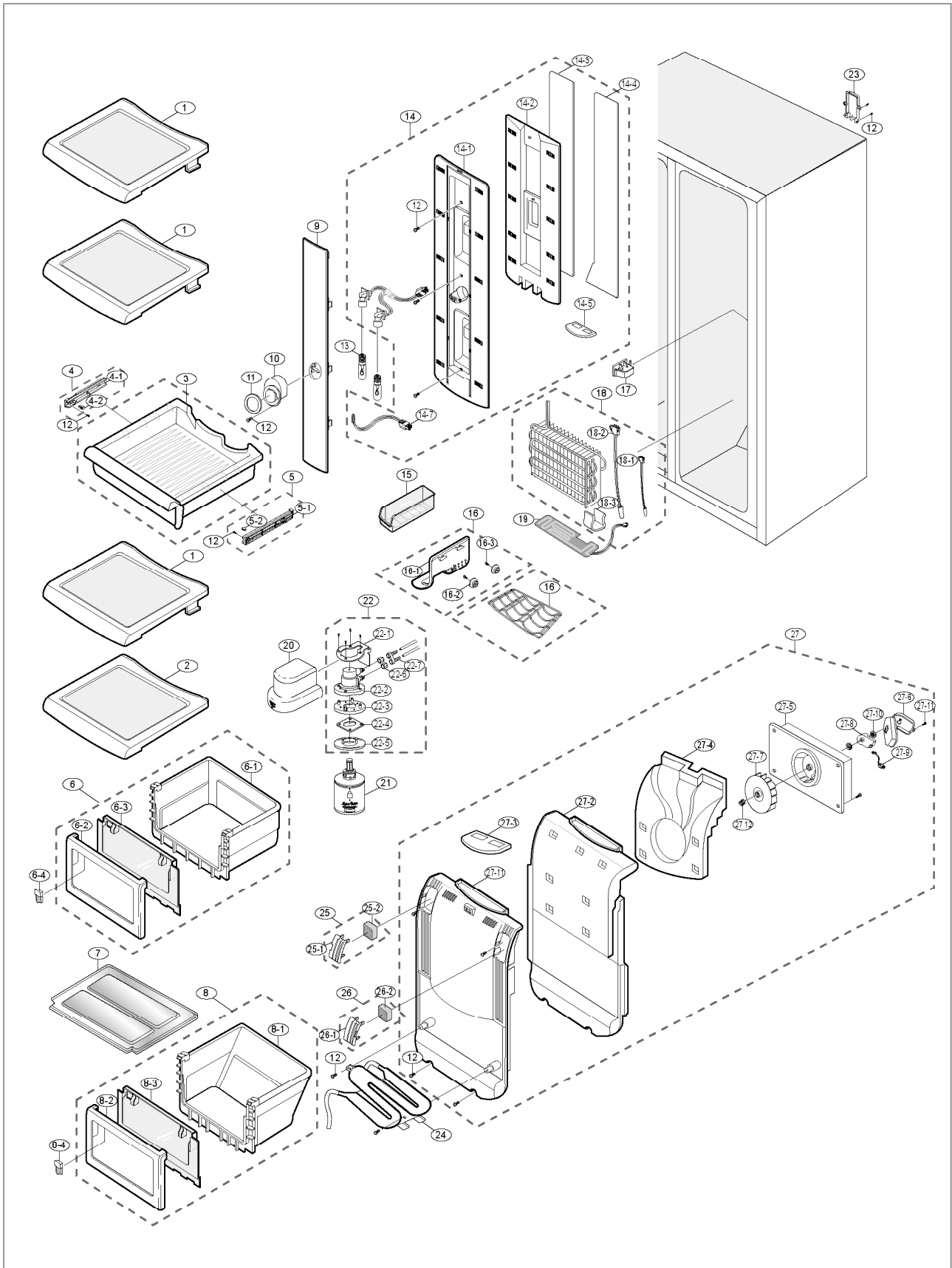
12 . Illustrated Parts Catalog.

12-1) Freezer Room Exploded View



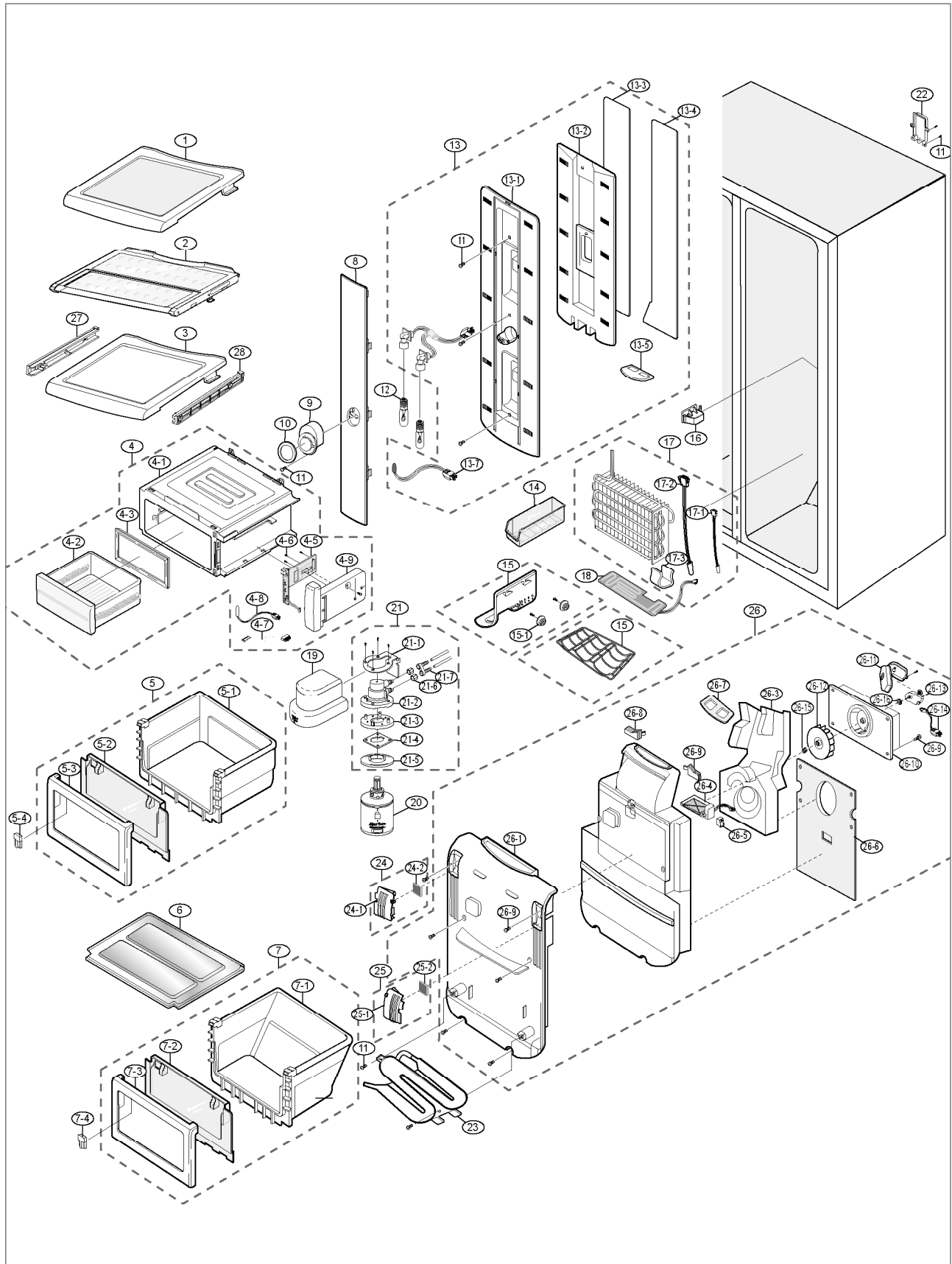
12 . Illustrated Parts Catalog.

12-2) Refrigerator Room Exploded View (RS21N, RS21H, RS21D, RS21F, RS23N, RS23H, RS23D, RS23F)



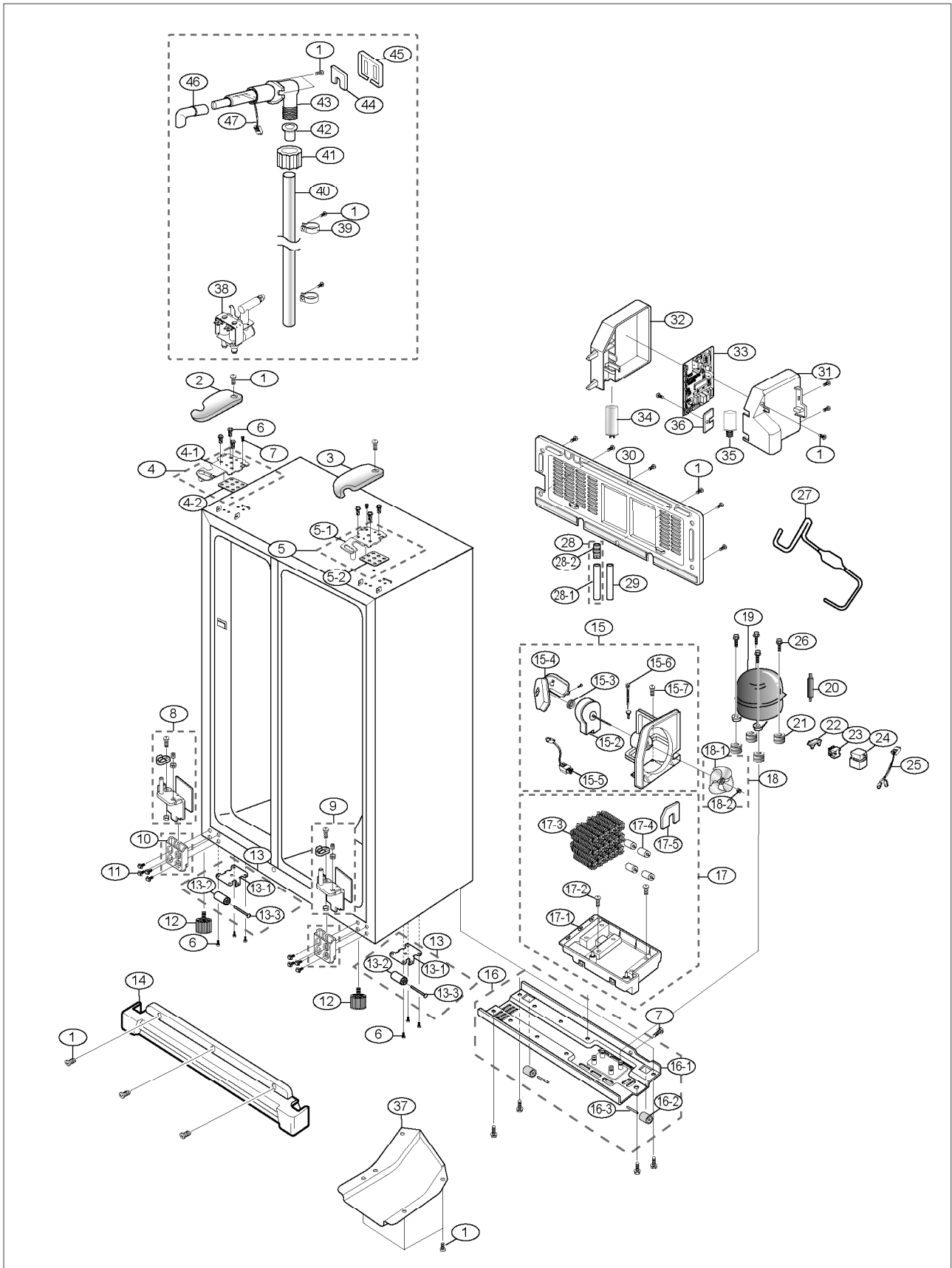
12 . Illustrated Parts Catalog.

12-3) Refrigerator Room Exploded View (RS21J, RS21K, RS23J, RS23K)



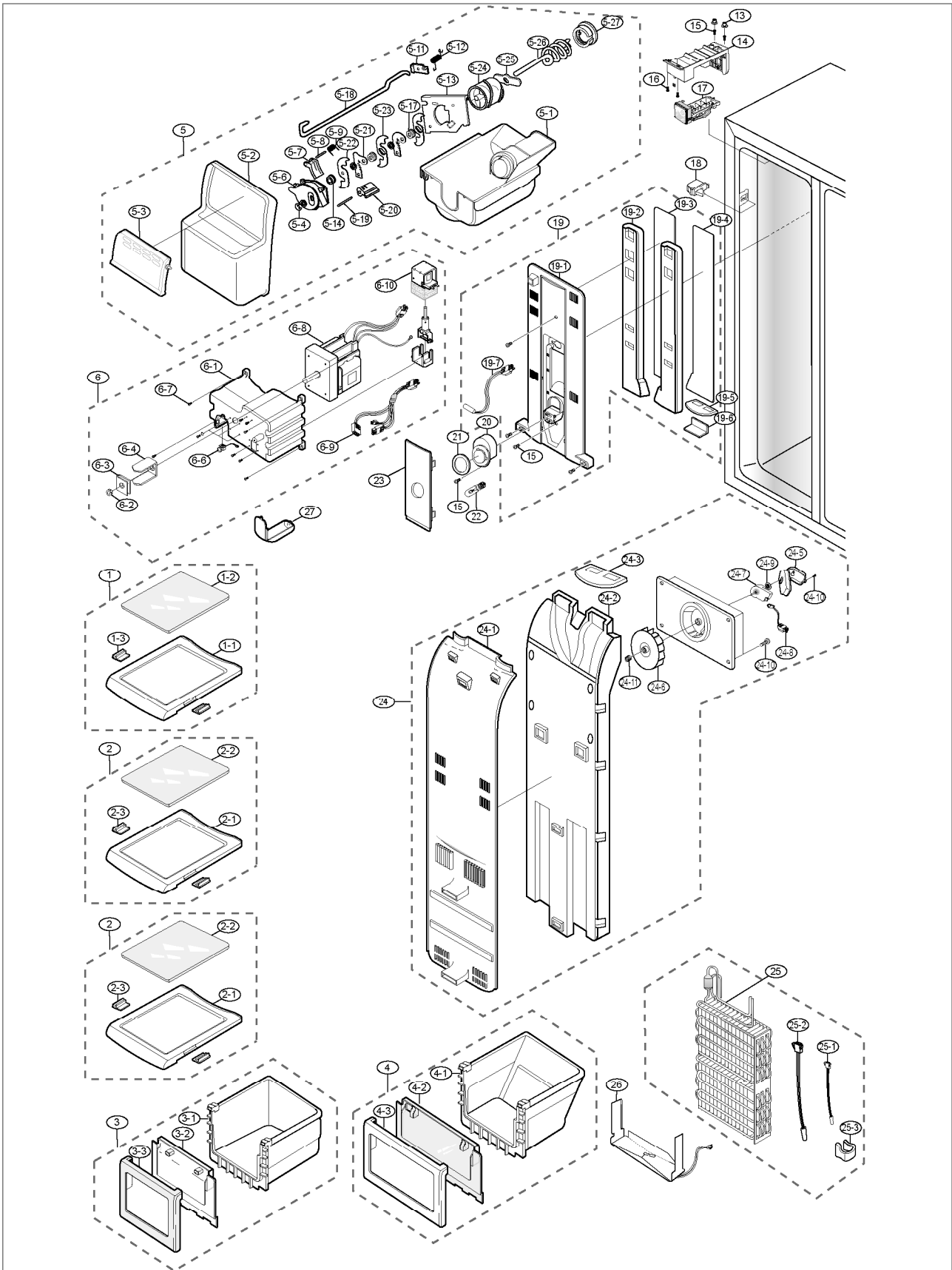
12 . Illustrated Parts Catalog.

12-4) Unit Exploded View (RS21N, RS21H, RS21D, RS21F, RS23N, RS23H, RS23D, RS23F)



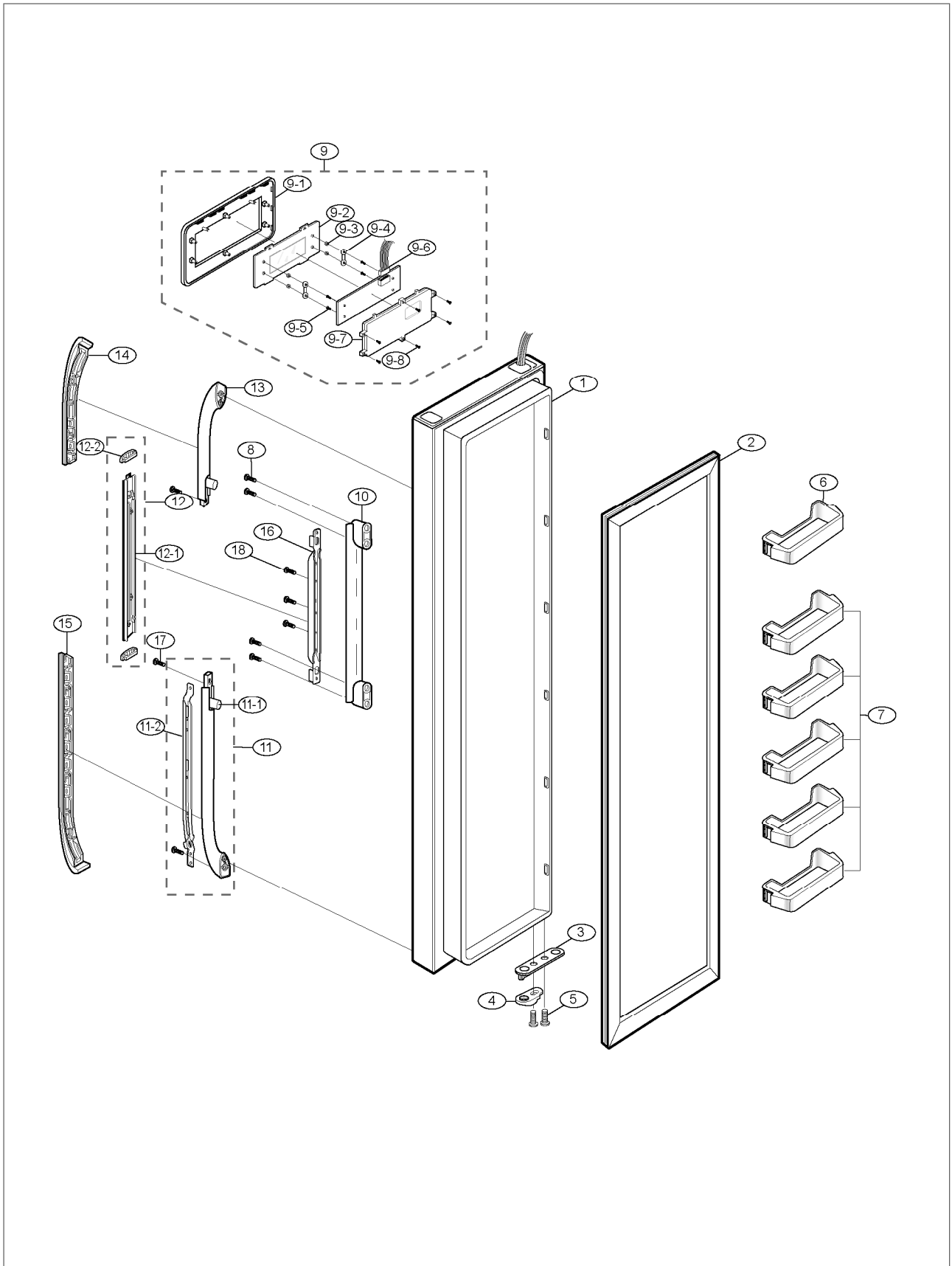
12 . Illustrated Parts Catalog.

12-5) Freezer Room Exploded View (RS21D, RS21F, RS21J, RS21K, RS23D, RS23F, RS23J, RS23K)



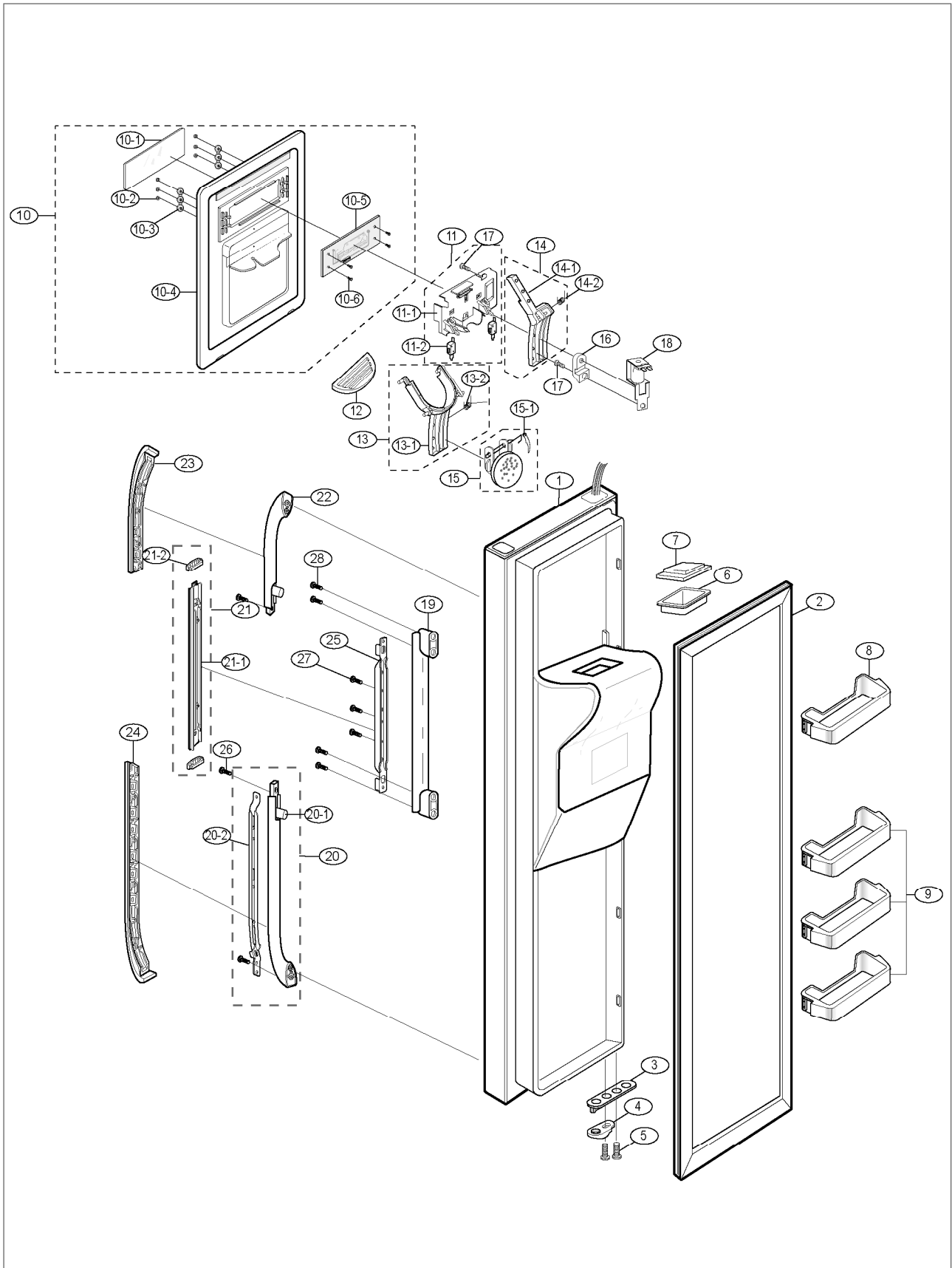
12 . Illustrated Parts Catalog.

12-6) Freezer Room Door Exploded View



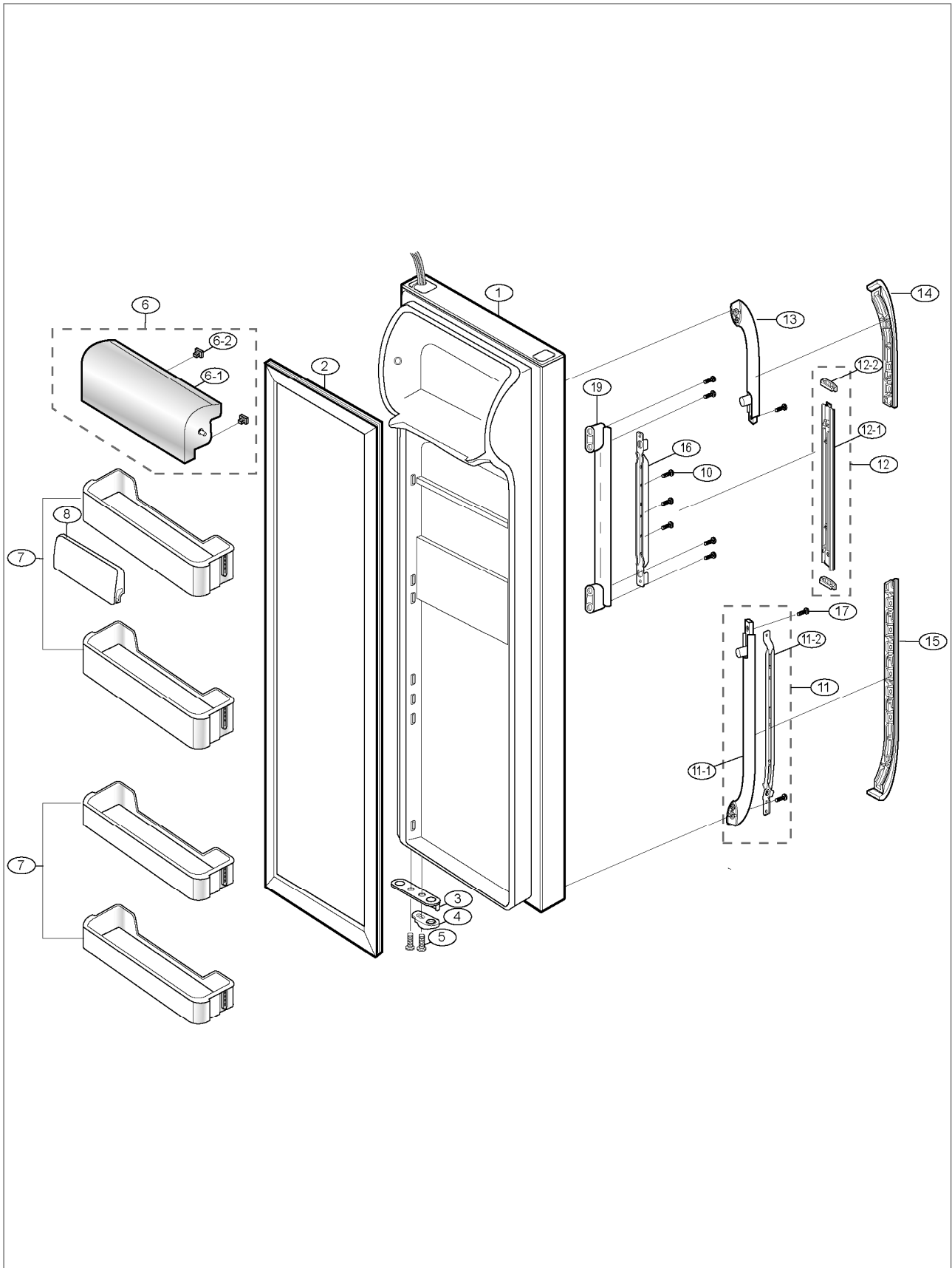
12 . Illustrated Parts Catalog.

12-7) Freezer Room Door Exploded View (RS21D, RS21F, RS21J, RS21K, RS23D, RS23F, RS23J, RS23K)



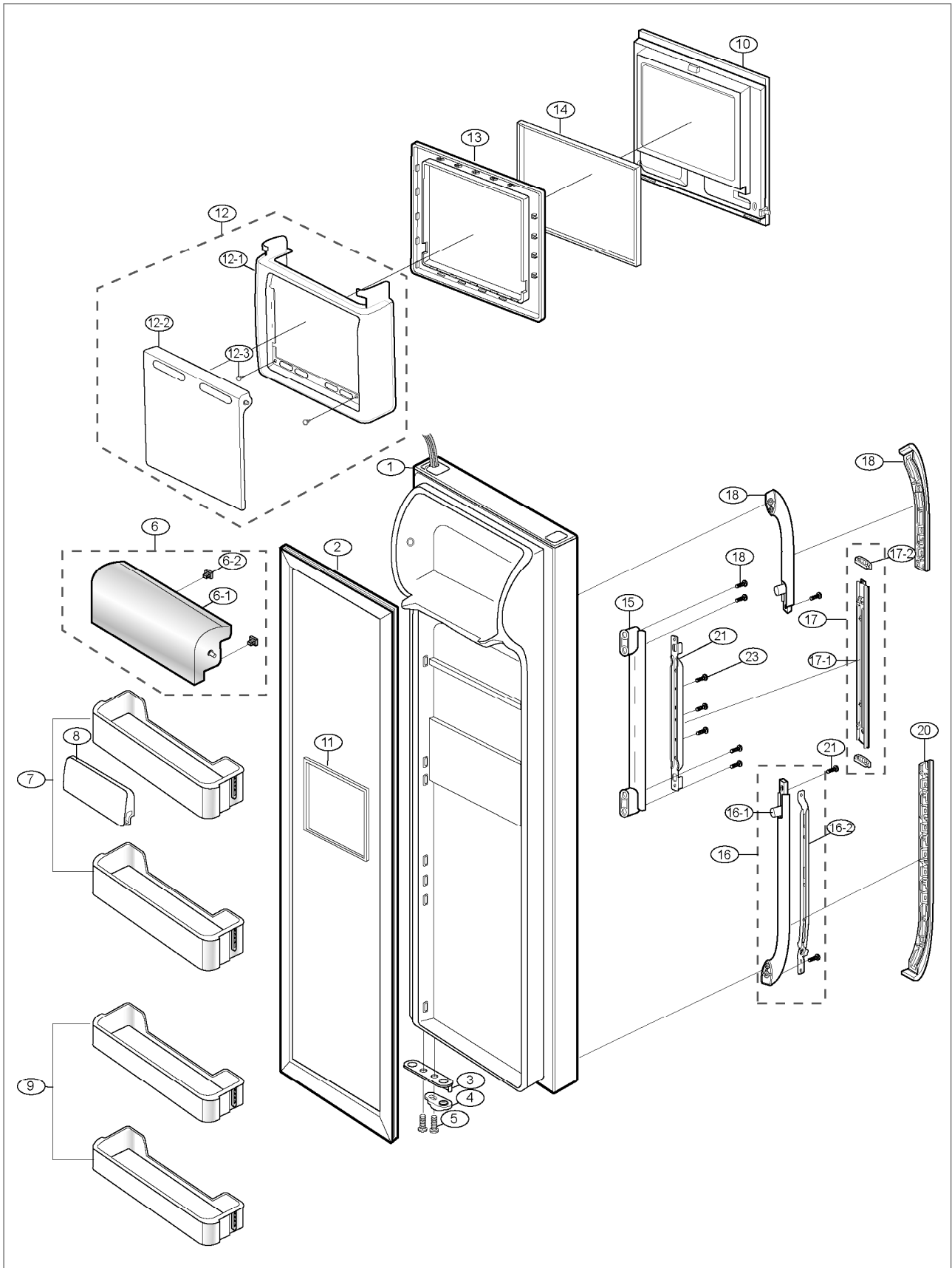
12 . Illustrated Parts Catalog.

12-8) Refrigerator Room Door Exploded View



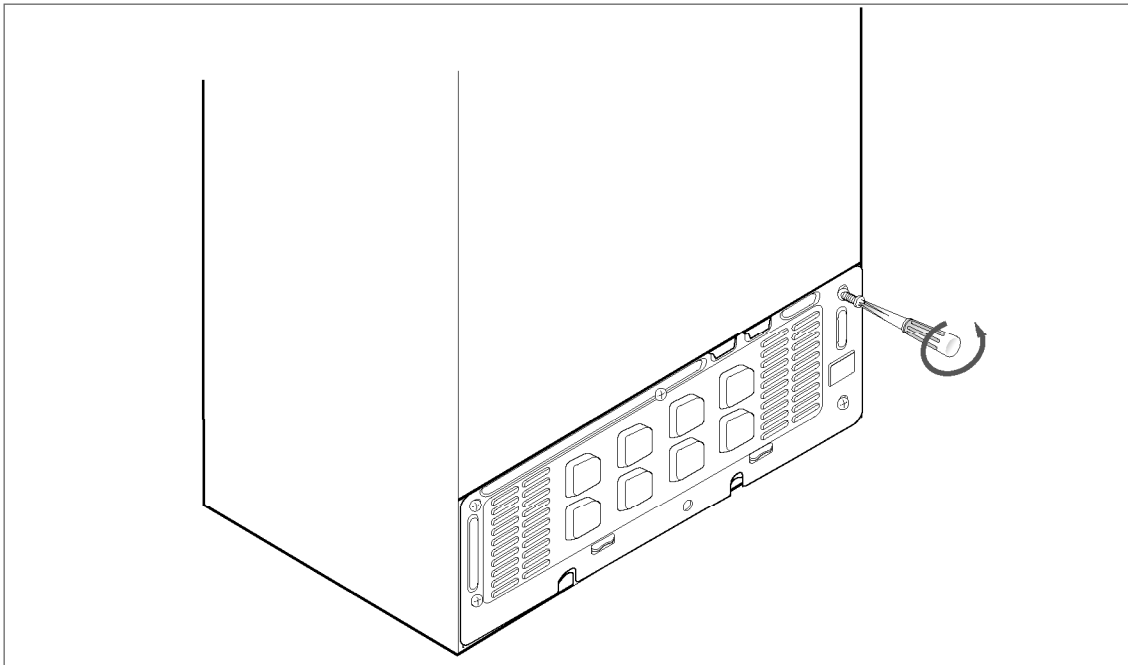
12 . Illustrated Parts Catalog.

12-9) Refrigerator Room Door Exploded View (RS21H, RS21F, RS21K, RS23H, RS23F, RS23K)



13. Machine Room Assembly Specification

13-1) Please remove fixed screw of cover of machine room of Refrigerator rear low part.



13-2) Machine Room Assembly Specification

