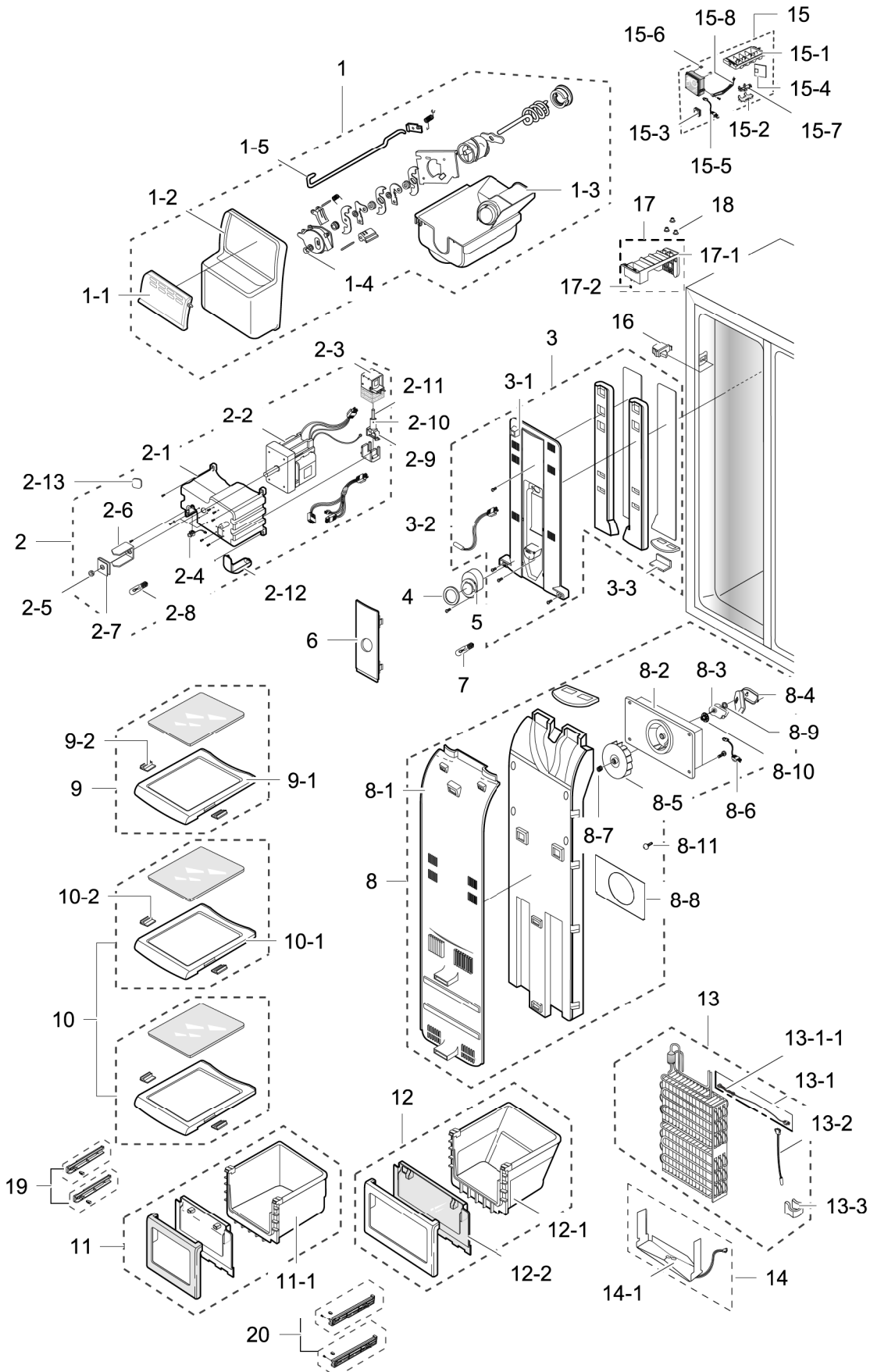


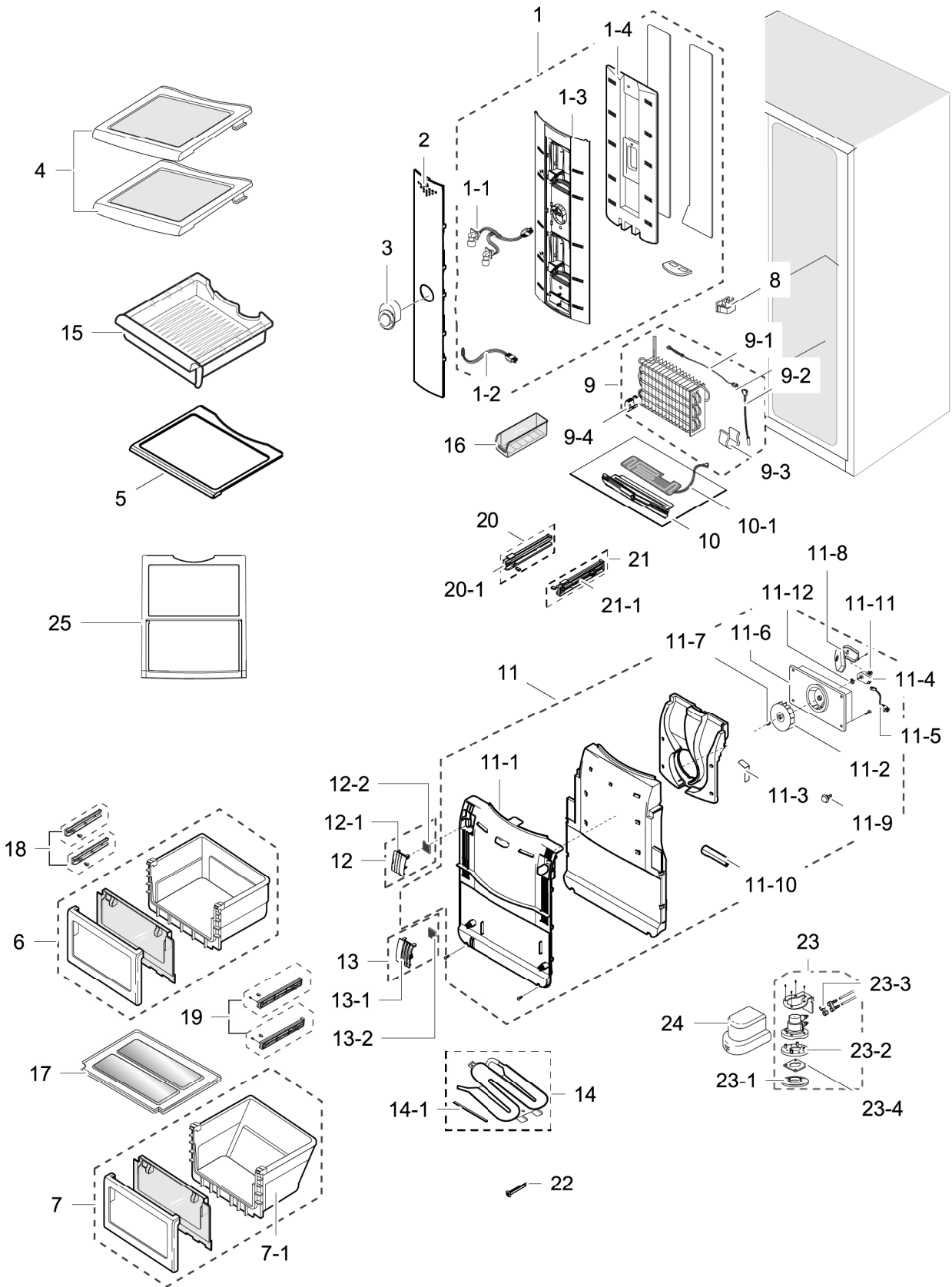
1. Freezer

Exploded View



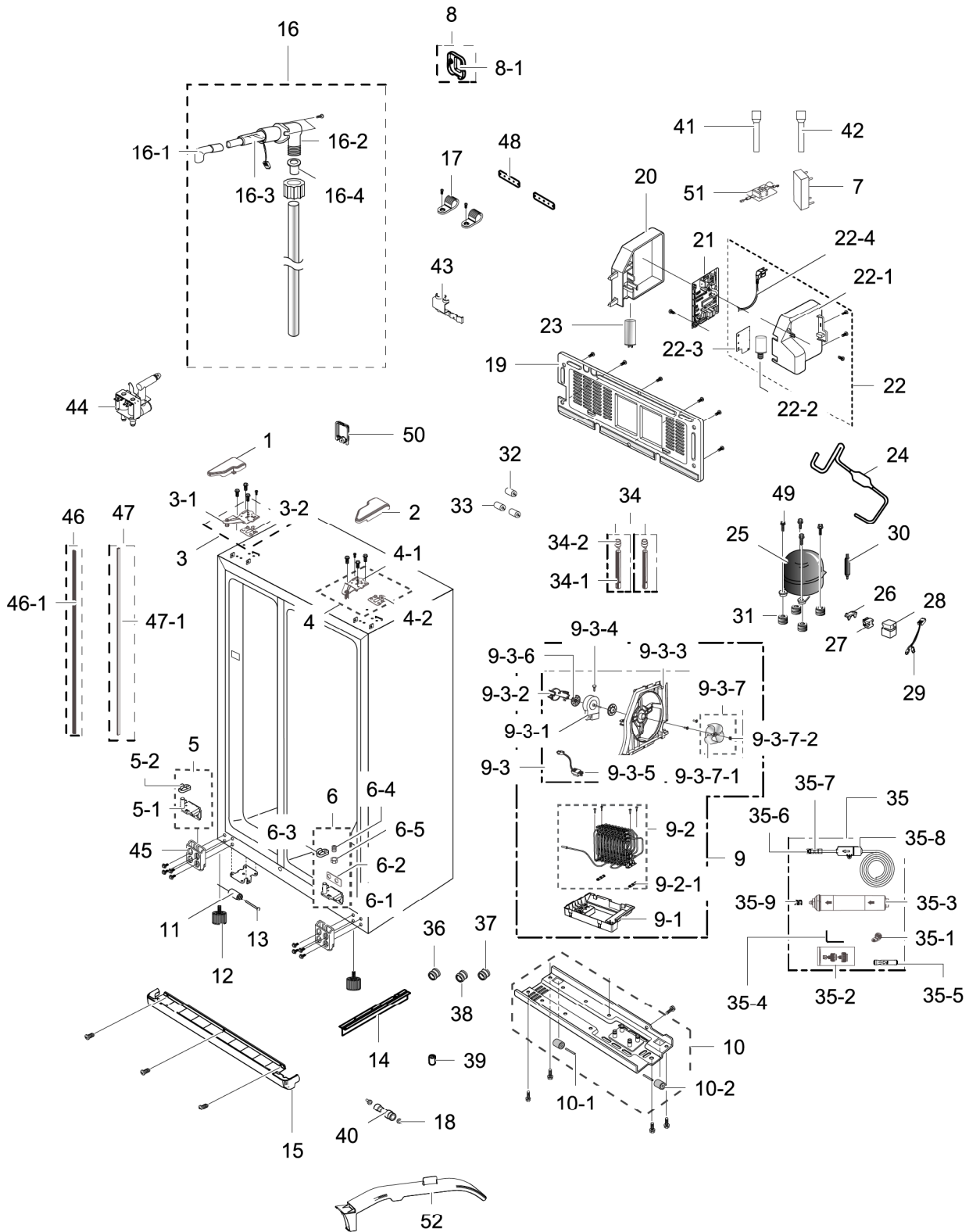
2. Refrigerator

Exploded View



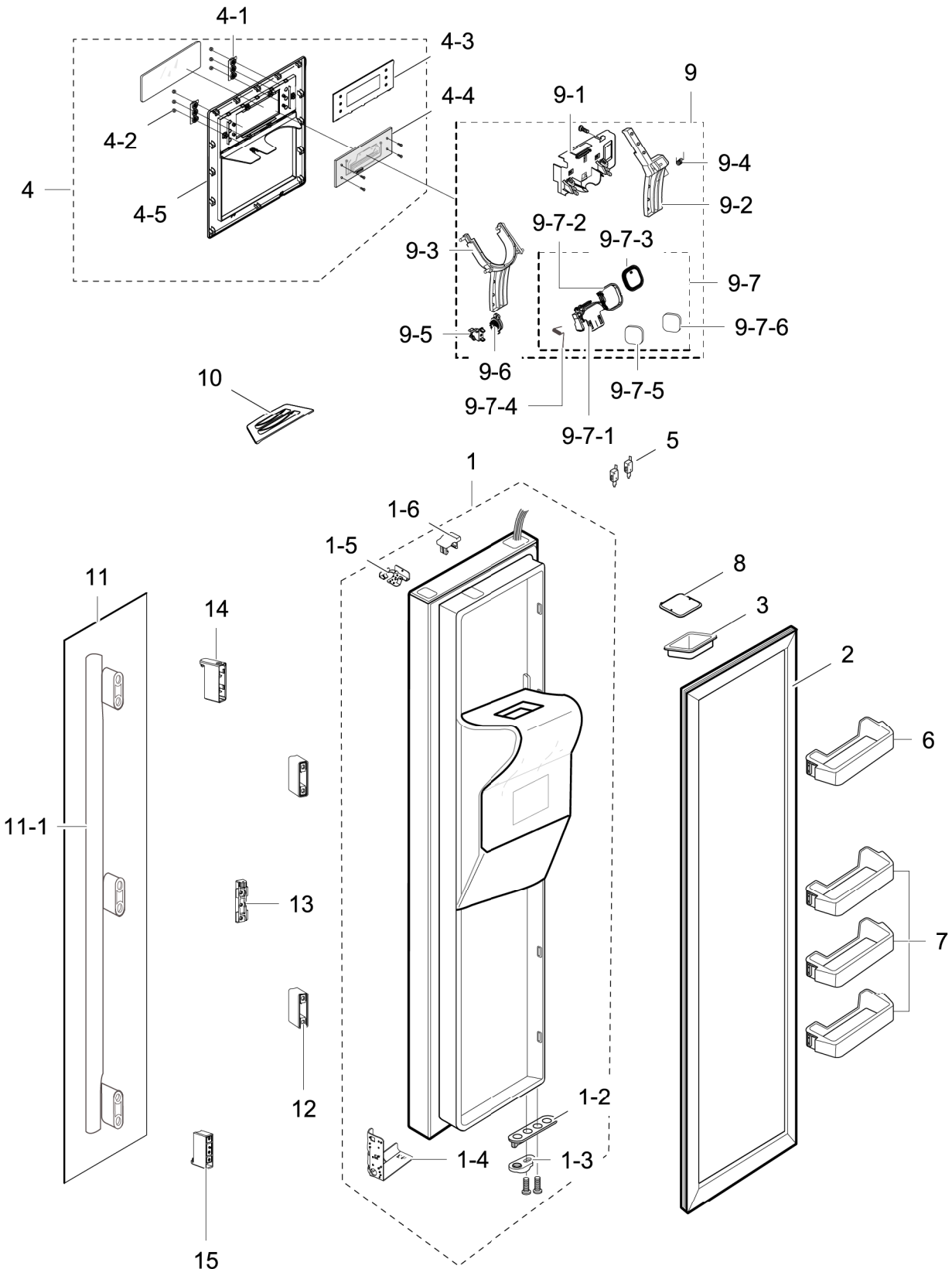
3. Cabinet

Exploded View



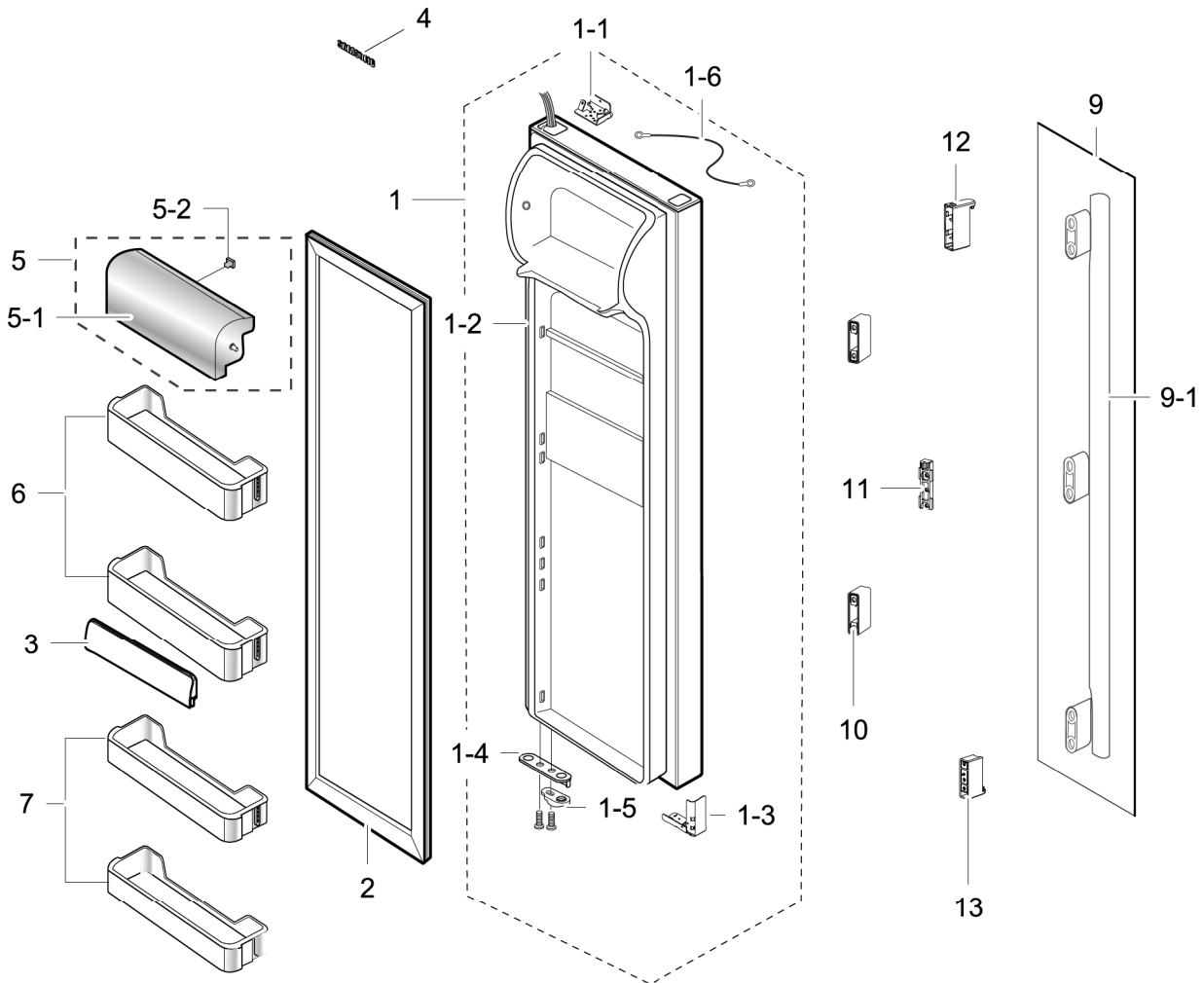
4. Freezer Door

Exploded View



5. Refrigerator Door

Exploded View



Parts List

No.	Lvl.	Loc.	Material Code	Description & Specification	SNA	Qty.
1	2		DA91-01745B	ASSY DOOR FOAM REF; ET-PJT(RS21),STAINLES	SA	1
1-1	4	RE174	DA97-03509G	ASSY REINF-DOOR REF; ET,2.0,50,-,-,-	SA	1
1-2	4		DA61-01335P	PLATE-DOOR REF; ET-PJT(RS21),SUS,T0.6,637	SA	1
1-3	4	RE081	DA97-03505B	ASSY REINF-DOOR LOW REF; ET,2.0,-,-,-,-	SA	1
1-4	4	RE043	DA61-00550A	STOPPER DOOR; ET-PJT,SHP1,T3.0,-,-,-,-	SA	1
1-5	4	RO105	DA66-00344A	CAM-HINGE RISER LOW; USP05(ATOP,ET),NY-66	SC	1
1-6	5	RK932	DA39-20389H	ASSY WIRE HARNESS-EARTH; ALL,FREE VOLT,UL	SA	1
2	2	RR238	DA97-04567B	ASSY-GASKET DOOR REF; ET,SC-97487,-,-	SA	1
3	2	RE349	DA71-00090A	GUIDE-BOTTLE REF; ET-PJT,PP,T2.5,-,-,-,-	SA	1