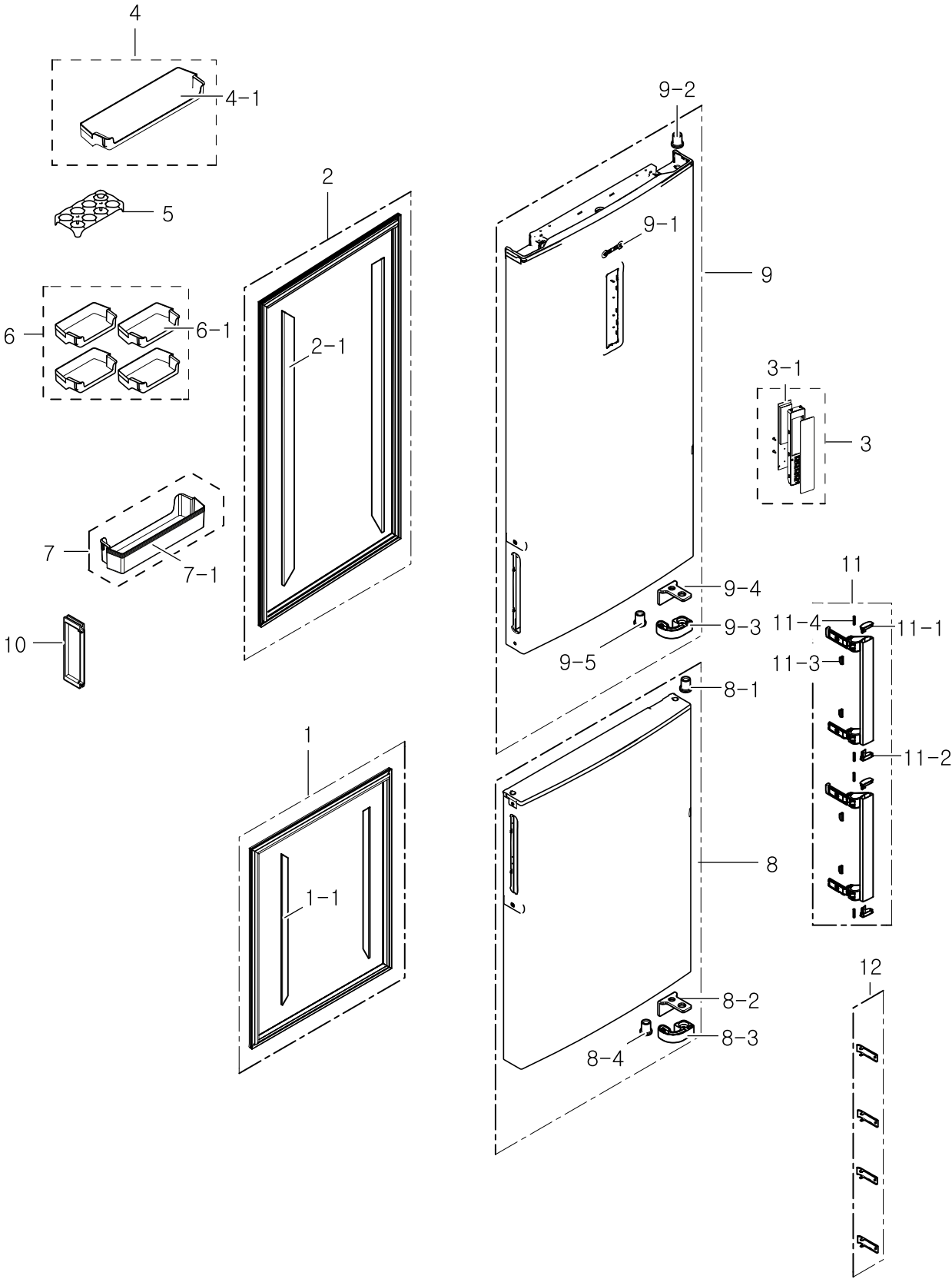


1. Door

Exploded View



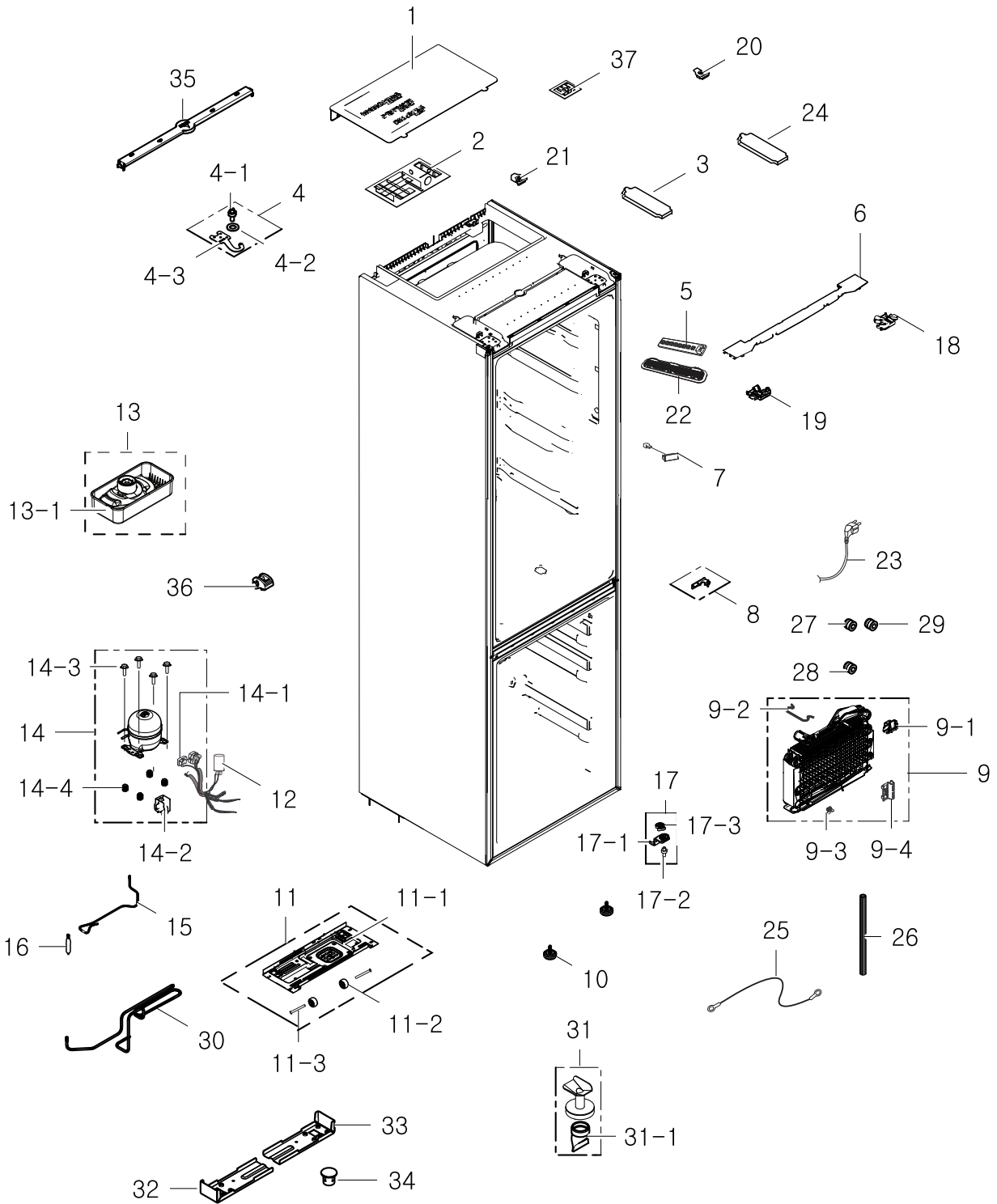
Parts List

| No. | Lvl. | Loc. | Material Code | Description & Specification | SNA | Qty. |
|-----|------|-------|---------------|--|-----|------|
| 1 | 2 | G0507 | DA97-12383V | ASSY-GASKET DOOR; GRAND-CRU, FRE RL58, RL | SA | 1 |
| 1-1 | 3 | G0503 | DA61-08060F | MAGNET-GASKET; GRANDCRU-PJT,FERRITE | SNA | 2 |
| 2 | 2 | G0508 | DA97-12383U | ASSY-GASKET DOOR; GRAND-CRU, REF RL60,GRA | SA | 1 |
| 2-1 | 3 | G0506 | DA61-08060J | MAGNET-GASKET; GRANDCRU-PJT,FERRITE | SNA | 2 |
| 3 | 2 | A0626 | DA97-11409C | ASSY COVER CONTROL; GRAN CRU,ASSY,SNOW W | SA | 1 |
| 3-1 | 3 | G0069 | DA92-00179A | ASSY PCB KIT LED; LED(Semi) DISPLAY,GRAN | SA | 1 |
| 4 | 2 | A0658 | DA97-11990B | ASSY GUARD REF-UPP; GRAND-CRU,GALAXY PATT | SA | 1 |
| 4-1 | 3 | A0634 | DA63-06305B | GUARD REF-UPP; GRAND-CRU,GPPS,TP BLUE,GAL | SA | 1 |
| 5 | 2 | A0656 | DA63-06221A | TRAY EGG; GRAND-CRU,GPPS,TP BLUE,165N,HI- | SA | 1 |
| 6 | 2 | G0401 | DA97-11993B | ASSY GUARD-VARIETY; GRAND-CRU,GALAXY PATT | SA | 4 |
| 6-1 | 3 | A0153 | DA63-06307B | GUARD VARIETY; GRAND-CRU,GPPS,TP BLUE,GAL | SA | 4 |
| 7 | 2 | A0657 | DA97-11992B | ASSY GUARD REF-LOW; GRAND-CRU,GALAXY PATT | SA | 1 |
| 7-1 | 3 | A0635 | DA63-06306B | GUARD REF-LOW; GRAND-CRU,GPPS,TP BLUE,GAL | SA | 1 |
| 8 | 2 | A0051 | DA91-03632X | ASSY DOOR FOAM FRE; GRAND CRU | SA | 1 |
| 8-1 | 5 | A0552 | DA63-05627A | GROMMET-HINGE; GROMET,PA66,NATURAL,GROMET | SA | 1 |
| 8-2 | 5 | A0551 | DA61-06259B | BRACKET-STOPPER DOOR; Grand Cru/Sam-Pjt,G | SC | 1 |
| 8-3 | 5 | A0597 | DA61-06228A | STOPPER-DOOR; Grand Cru/Sam Pjt,POM,NTR | SA | 1 |
| 8-4 | 5 | A0552 | DA63-05627A | GROMMET-HINGE; GROMET,PA66,NATURAL,GROMET | SA | 1 |
| 9 | 2 | A0052 | DA91-03850A | ASSY DOOR FOAM REF; RL60,Snow White,HANDL | SA | 1 |
| 9-1 | 3 | M0196 | DA64-04020B | MASCOT; ALL,NI,-,T0.06,L80 | SC | 1 |
| 9-2 | 5 | A0552 | DA63-05627A | GROMMET-HINGE; GROMET,PA66,NATURAL,GROMET | SA | 1 |
| 9-3 | 5 | A0597 | DA61-06228A | STOPPER-DOOR; Grand Cru/Sam Pjt,POM,NTR | SA | 1 |
| 9-4 | 5 | A0551 | DA61-06259B | BRACKET-STOPPER DOOR; Grand Cru/Sam-Pjt,G | SC | 1 |
| 9-5 | 5 | A0552 | DA63-05627A | GROMMET-HINGE; GROMET,PA66,NATURAL,GROMET | SA | 1 |
| 10 | 2 | G0220 | DA67-03055F | CAP-SPACE DOOR; GRAND CRU,ABS,SNOW WHITE(| SA | 1 |

| No. | Lvl. | Loc. | Material Code | Description & Specification | SNA | Qty. |
|------|------|-------|---------------|---|-----|------|
| 11 | 2 | G0221 | DA97-11532F | ASSY HANDLE-EASY; GRAND CRU,SNOW WHITE,AS | SA | 2 |
| 11-1 | 3 | G0226 | DA67-03095F | CAP-HANDLE UPP; GRAND CRU,ABS,SNOW WHITE | SNA | 2 |
| 11-2 | 3 | G0227 | DA67-03096F | CAP-HANDLE LOW; GRAND CRU,ABS,SNOW WHITE | SNA | 2 |
| 11-3 | 4 | G0232 | DA73-00238A | RUBBER-HANDLE; TWIN-PJT,SILICON,SNOW WHIT | SA | 4 |
| 11-4 | 3 | G0225 | DA66-00664A | SHAFT-HANDLE; TWIN-PJT,STS304,L25.6,EASY | SA | 4 |
| 12 | 2 | G0219 | DA63-06487F | COVER-SLIDER HANDLE; GRAND CRU,ABS,HB,SNO | SA | 4 |

2. Over All

Exploded View



Parts List

| No. | Lvl. | Loc. | Material Code | Description & Specification | SNA | Qty. |
|------|------|-------|----------------|--|-----|------|
| 1 | 2 | G0089 | DA63-06361B | COVER PCB-PANEL; GRAND CRU,GI-SGCC,T0.3 | SA | 1 |
| 2 | 2 | A0952 | DA92-00177K | ASSY PCB MAIN; PBA MAIN,GRAND CRU,123*197 | SA | 1 |
| 3 | 2 | G0217 | DA63-06395B | COVER HINGE-A; GRAND CRU,HIPS,HB,COOL WHI | SA | 1 |
| 4 | 2 | M0346 | DA97-11472A | ASSY HINGE-UPP; GRAND CRU,WHITE | SA | 1 |
| 4-1 | 3 | A0518 | DA66-00385A | SHAFT-HINGE; CORE,SWCH10A,-,OD6,-,ZPC3(| SA | 1 |
| 4-2 | 3 | A0509 | DA66-00741A | SHAFT-WASHER; Grand Cru/Sam Pjt,HIPS,OD12 | SA | 1 |
| 4-3 | 3 | G0259 | DA97-11865A | ASSY HINGE UPP-SPRAY; GRAND CRU | SA | 1 |
| 5 | 2 | G0090 | DA41-00519P | ASSY LAMP LED; 3ea,CEM-1,100*20,WHITE,SMA | SA | 1 |
| 6 | 2 | G0215 | DA63-06393N | COVER-WIRE DOOR; GRAND-CRU,HIPS,SNOW WHIT | SA | 1 |
| 7 | 2 | G0068 | DA34-00043A | SWITCH REED; 13mm,UL1007 AWG 22,100,HOOK | SA | 1 |
| 8 | 2 | A0513 | DA97-12375B | ASSY HINGE MID; GRAND CRU,Zn painting | SA | 1 |
| 9 | 2 | A0163 | DA96-01090A | ASSY EVAP-FRE; GRAND-CRU_RL60/58,230V,150 | SA | 1 |
| 9-1 | 3 | G0205 | DA61-07410A | FIXER-HEATER FRE; NW2,PP,WHITE,V0 | SA | 2 |
| 9-2 | 3 | | DA61-02526A | FIXER-EVAP FRE,SUB; NEXT,AL,2.0,-,- | SNA | 1 |
| 9-3 | 3 | M9010 | DA61-03644A | PLATE-EVAP HEATER; AW-PJT,AL,T0.7,-,-,-,- | SA | 1 |
| 9-4 | 3 | A0744 | DA61-07411A | FIXER-FUSE; NW2,PP,NATURAL,BJ730 | SA | 1 |
| 10 | 2 | Z1128 | DA61-07546B | LEG-FRONT; GRAND CRU-PJT,PP,BLACK,SCRAP,B | SA | 2 |
| 11 | 2 | A0738 | DA97-11278A | ASSY CHASSIS-COMP; GRAND_CRU,SBHG1,T0.8,A | SC | 1 |
| 11-1 | 3 | G0258 | DA97-11860A | ASSY CHASSIS-SUB COMP; GRAND CRU,ASSY | SA | 1 |
| 11-2 | 3 | A0527 | DA61-06202A | CASTER-REAR; GRAND-CRU,PP,NATURAL | SA | 2 |
| 11-3 | 3 | | DA60-90146A | PIN-CASTER; SR-289-429,MSWR10,OD6.0,L38,Z | SA | 2 |
| 12 | 2 | M2000 | DA27-00032A | COIL FILTER-EMI; 400L,8.0mH,60*82mm,BOX,S | SA | 1 |
| 13 | 2 | A0749 | DA97-13658A | ASSY TRAY-DRAIN WATER; 3050_LMF(RB29/31), | SA | 1 |
| 13-1 | 3 | A0531 | DA63-06630A | TRAY-DRAIN WATER; 3050_LMF,PP,T2.0,NTR,He | SNA | 1 |
| 14 | 2 | | MSV4A1AL1R/TT1 | COMPRESSOR,115/220V; COMPRESSOR,115/220V | | 1 |
| 14-1 | 3 | A0575 | DA34-00004D | RELAY PROTECTOR O/L; 4TM445PHBY-82, 125 | SA | 1 |

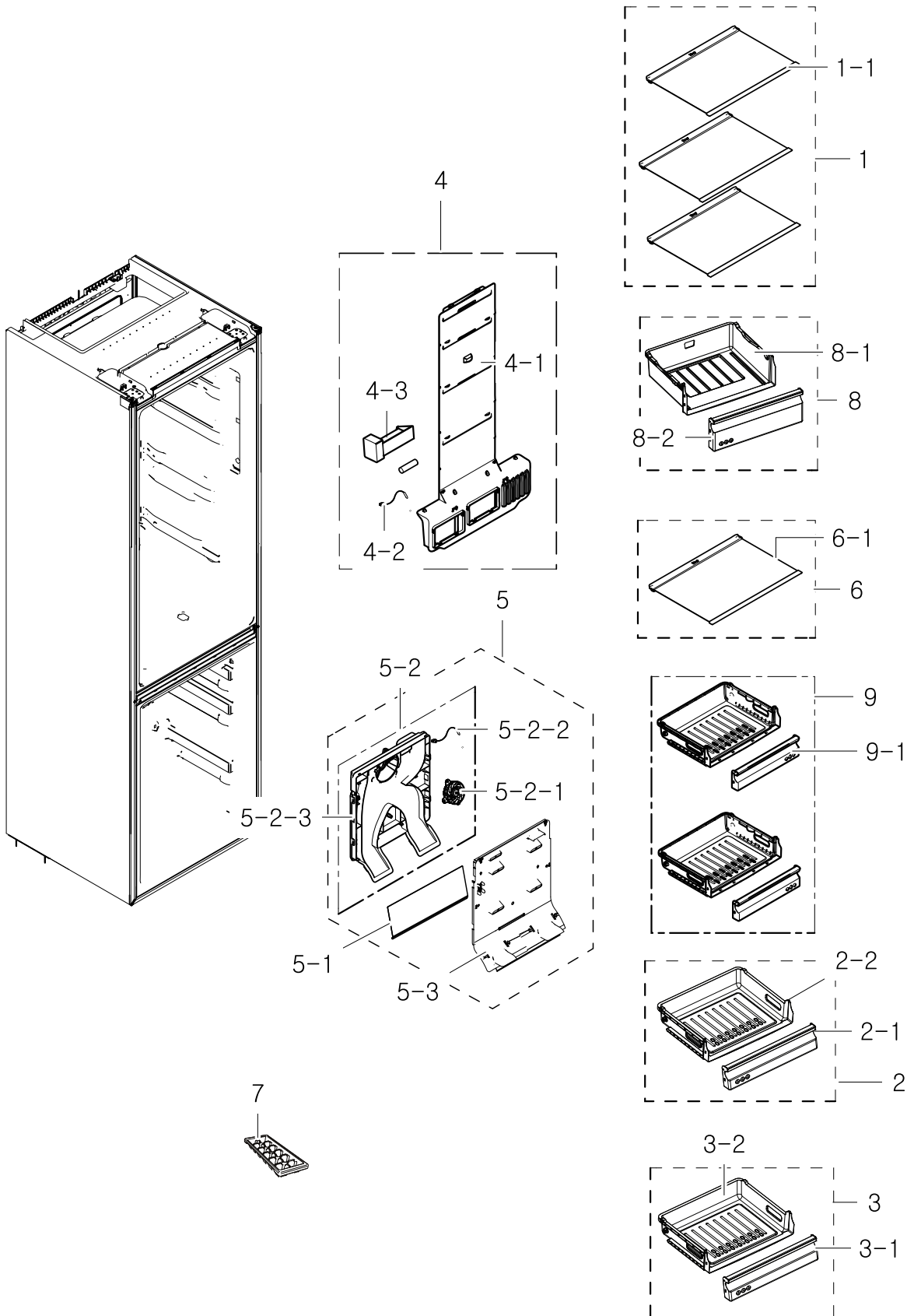
Exploded Views and Parts List

| No. | Lvl. | Loc. | Material Code | Description & Specification | SNA | Qty. |
|------|------|-------|---------------|--|-----|------|
| 14-2 | 3 | Z1032 | DA63-06122A | COVER RELAY; MSV,MPPO,T2.0,5V-A,BLACK,M-H | SA | 1 |
| 14-3 | 3 | A0564 | DA60-20008A | BOLT-HEX; SWRCH10A,M6,L42.6(28.1),-,ZPC(S | SA | 4 |
| 14-4 | 3 | Z1112 | DA63-02617A | GROMMET COMP; USP05,EPDM,OD27.0,BLACK | SA | 4 |
| 15 | 2 | | DA62-04325A | PIPE CONNECT; 3050,CU,-,C1220T,OD6.35,T0. | SA | 1 |
| 16 | 2 | A0669 | DA62-04309B | DRYER; C1220,114,SINGLE MOUTH,9g | SA | 1 |
| 17 | 2 | A0515 | DA97-11482A | ASSY HINGE LOW; GRAND CRU | SA | 1 |
| 17-1 | 3 | A0247 | DA61-07365B | HINGE-LOW; GRAND CRU,SHP1,T3.0,W63.3,L105 | SA | 1 |
| 17-2 | 3 | A0518 | DA66-00385A | SHAFT-HINGE; CORE,SWCH10A,-,OD6,-,ZPC3(| SA | 1 |
| 17-3 | 3 | A0516 | DA61-07383A | GUIDE-AUTO CLOSE; GRAND CRU,PA66,NTR | SA | 1 |
| 18 | 2 | G0213 | DA63-06391A | COVER-WIRE HINGE R; GRAND CRU,PP,SNOW WHI | SA | 1 |
| 19 | 2 | G0214 | DA63-06392A | COVER-WIRE HINGE L; GRAND CRU,PP,SNOW WHI | SA | 1 |
| 20 | 2 | | DA67-03053A | CAP-HIGH SIDE R; GRAN CRU,ABS,T2.0,25.9,S | SNA | 1 |
| 21 | 2 | | DA67-03054A | CAP-HIGH SIDE L; GRAN CRU,ABS,T2.0,25.9,S | SNA | 1 |
| 22 | 2 | A0280 | DA63-05628B | COVER LAMP; GRAND-CRU,GPPS,HB,165N,TP BLU | SA | 1 |
| 23 | 2 | A0273 | 3903-000794 | CBF-POWER CORD; AT,E.U,EU3F,3C,250V,16A,B | SA | 1 |
| 24 | 2 | G0216 | DA63-06394B | COVER HINGE-B; GRAND CRU,HIPS,HB,COOL WHI | SA | 1 |
| 25 | 2 | A0562 | DA39-20389L | ASSY WIRE HARNESS-EARTH; ALL,FREE VOLT,UL | SA | 1 |
| 26 | 2 | M0203 | DA62-02982C | PIPE-CONNECT DISC A; C1220T-1/2H,OD6.35,L | SA | 1 |
| 27 | 2 | | DA60-00280A | FITTING-LOKRING 33; GRAND/SAM/HERMES,11SM | SA | 1 |
| 28 | 2 | | DA60-00281A | FITTING-LOKRING 43; GRAND/SAM/HERMES,11SM | SA | 1 |
| 29 | 2 | | DA60-00279A | FITTING-LOKRING 16; GRAND/SAM/HERMES,11SM | SA | 1 |
| 30 | 3 | G0267 | DA62-04068A | PIPE-CONNECT IMMERSION; BMF(3050-PJT),SWS | SNA | 1 |
| 31 | 3 | G0285 | DA62-00017A | TUBE-DRAIN FRE-ASSY; PP,-,-,-,SR-32,35, | SA | 1 |
| 31-1 | 4 | G0202 | DA63-00246B | GROMMET-DRAIN HOSE; CORE-PJT,NBR,-,-,-,-, | SA | 1 |
| 32 | 3 | G0449 | DA61-07340A | REINF-BOTT FRONT L; GRANDCRU,PO-SPHC,T1.5 | SA | 1 |
| 33 | 3 | G0450 | DA61-07341A | REINF-BOTT FRONT R; GRANDCRU,PO-SPHC,T1.5 | SA | 1 |
| 34 | 2 | A0549 | DA67-02655A | CAP-HINGE HOLE; GRAND CRU,ABS,HB,HG-0760G | SA | 1 |

| No. | Lvl. | Loc. | Material Code | Description & Specification | SNA | Qty. |
|-----|------|-------|---------------|--|-----|------|
| 35 | 2 | G0212 | DA63-06384C | COVER-CABI HIGH; GRAND CRU,HIPS,T2.0,42,3 | SA | 1 |
| 36 | 2 | | DA63-07475A | GROMMET-IMMERSION PIPE D; 3050_LMF,NBR,20 | SA | 1 |
| 37 | 2 | M0309 | DA92-00157A | ASSY PCB INVERTER; INVERTER,Grand Cru,148 | SC | 1 |

3. Freezer Fridge

Exploded View



Parts List

| No. | Lvl. | Loc. | Material Code | Description & Specification | SNA | Qty. |
|-------|------|-------|---------------|---|-----|------|
| 1 | 2 | A0185 | DA97-13435B | ASSY SHELF REF; GRAND CRU | SA | 3 |
| 1-1 | 3 | A0214 | DA67-03037C | SHELF REF; GRAND CRU,PP,COOL WHITE,BETTER | SA | 3 |
| 2 | 2 | G0268 | DA97-11399B | ASSY TRAY-FRE MID; GRAN CRU,ASSY/NO TRIM | SA | 1 |
| 2-1 | 3 | G0080 | DA63-06328A | COVER TRAY-FRE MIDDLE; GRAND-CRU,GPPS,HB, | SA | 1 |
| 2-2 | 3 | G0261 | DA61-07305A | CASE TRAY-FRE MIDDLE; GRAND-CRU,PP,COOL W | SA | 1 |
| 3 | 2 | G0267 | DA97-11398B | ASSY TRAY-FRE LOW; GRAND CRU,NO TRIM | SA | 1 |
| 3-1 | 3 | G0085 | DA63-06334A | COVER TRAY-FRE LOW; GRAND-CRU,GPPS,HB,165 | SA | 1 |
| 3-2 | 3 | G0260 | DA61-07306A | CASE-TRAY FRE LOW; GRAND-CRU,PP,COOL WHIT | SA | 1 |
| 4 | 2 | G0239 | DA97-11363A | ASSY COVER MULTI-REF; GRAND CRU,RL60, BAS | SA | 1 |
| 4-1 | 3 | A0689 | DA63-06338A | COVER MULTI-REF; GRAND CRU,PP,HB,COOL WHI | SA | 1 |
| 4-2 | 3 | A1018 | DA32-00011W | SENSOR TEMP; PX-41C,MT-PJT,-40~1105V, | SA | 1 |
| 4-3 | 3 | G0242 | DA31-00043F | MOTOR DC-DAMPER; -,CORE-PJT,Max 60mA,-,-, | SA | 1 |
| 5 | 2 | M0416 | DA97-11338A | ASSY COVER-EVAP FRE; GRAND CRU | SA | 1 |
| 5-1 | 3 | G0233 | DA61-07361A | PLATE-EVAP COVER REAR; GRAND CRU,GL-SAZCC | SA | 1 |
| 5-2 | 3 | G0074 | DA97-11334A | ASSY COVER-EVAP REAR; GRAND CRU | SC | 1 |
| 5-2-1 | 4 | | DA31-00287B | MOTOR BLDC FAN; ARES2120RA,1870 4%,12V,2 | SA | 1 |
| 5-2-2 | 4 | A1018 | DA32-00033E | SENSOR TEMP; 502AT,DKST1329GW,MAX4,-40~11 | SA | 1 |
| 5-2-3 | 4 | G0236 | DA63-06375A | COVER EVAP-REAR; GRAND CRU,PP,T1.5,BLACK, | SA | 1 |
| 5-3 | 4 | A0665 | DA63-06360B | COVER EVAP-FRONT; GRAND CRU,PP,T1.7,NTR | SNA | 1 |
| 6 | 2 | G0284 | DA97-13467A | ASSY SHELF REF-LOW; GRAND CRU,GOOD | SA | 1 |
| 6-1 | 3 | G0268 | DA67-03038A | SHELF-REF LOW; GRAND CRU,PP,COOL WHITE,BE | SC | 1 |
| 7 | 2 | A0582 | DA67-40146B | TRAY-ICE; SR-1500,PP,HB,COOL WHITE | SA | 1 |
| 8 | 2 | G0269 | DA97-11358A | ASSY TRAY-FRESHROOM; GRAND CRU | SA | 1 |
| 8-1 | 3 | G0266 | DA61-07324A | CASE-FRESHROOM; GRAND CRU-PJT,PP,COOL WHI | SA | 1 |
| 8-2 | 3 | G0083 | DA63-06341A | COVER-FRESHROOM FRONT; GRAND-CRU,GPPS,HB, | SA | 1 |
| 9 | 2 | M0121 | DA97-11397B | ASSY TRAY-FRE UPP; GRAND CRU,NO TRIM | SA | 2 |
| 9-1 | 3 | G0087 | DA63-06327A | COVER TRAY-FRE UP; GRAND-CRU,GPPS,HB,165N | SA | 2 |

