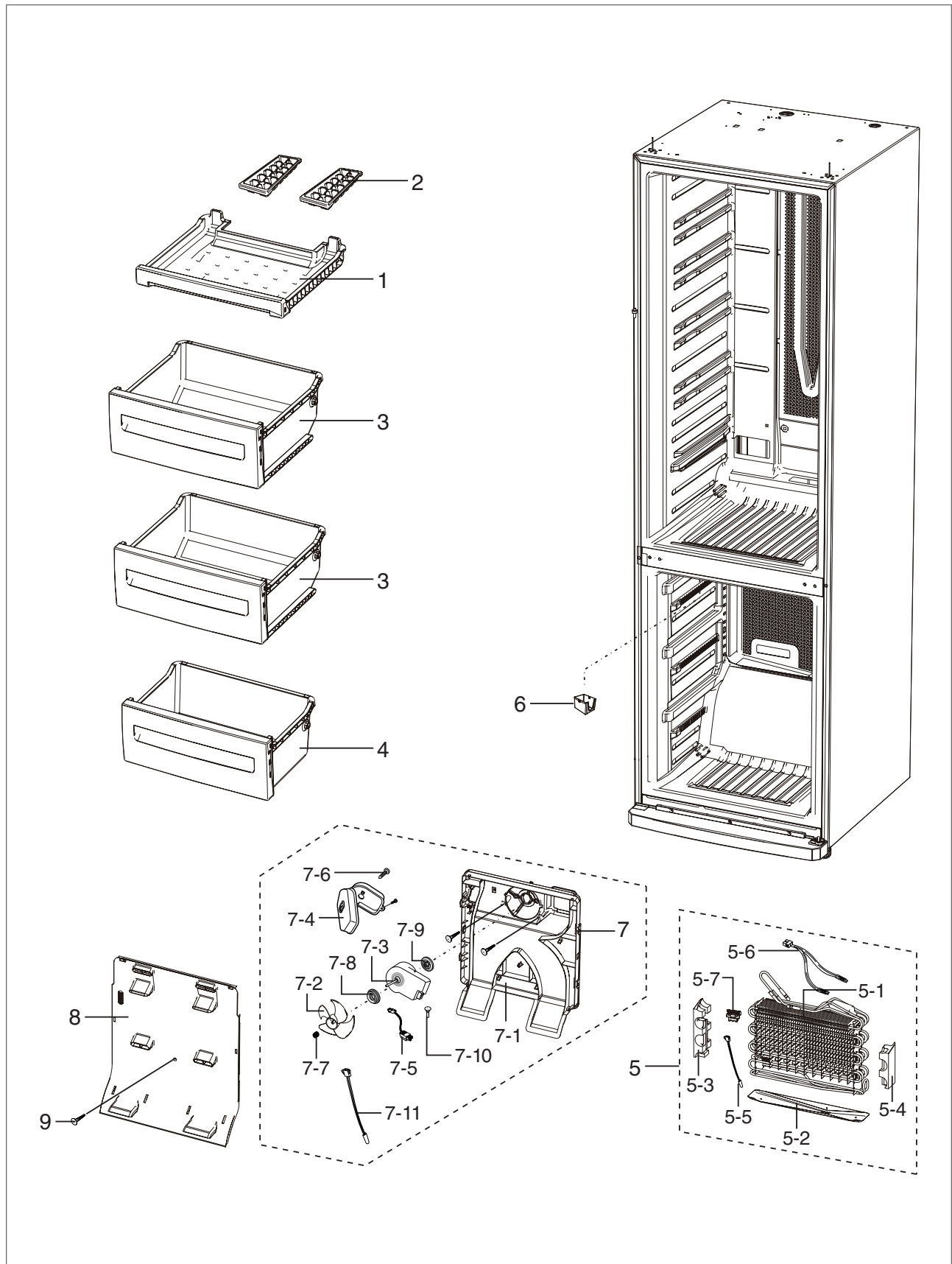


7 . ILLUSTRATED PARTS CATALOG

7-1) FREEZER - LCD MODEL	105
7-1) FREEZER - LED MODEL	107
7-1) FREEZER - LED SEMI MODEL	109
7-2) FRIDGE - COOL SELECT ZONE & LED LAMP MODEL	111
7-2) FRIDGE - COOL SELECT ZONE & BULB LAMP MODEL	113
7-2) FRIDGE - CHILLED ROOM & VEGETABLE BOX MODEL	115
7-2) FRIDGE - BIG VEGETABLE BOX MODEL	117
7-2) FRIDGE - RL38 MODEL	119
7-3) CABINET - LCD MODEL	121
7-3) CABINET - LED MODEL	124
7-3) CABINET - LED SEMI MODEL	127
7-4) DOOR - LCD MODEL	130
7-4) DOOR - LED MODEL	133
7-4) DOOR - LED DISPENSER MODEL	136
7-4) DOOR - LED SEMI MODEL	139

ILLUSTRATED PARTS CATALOG

7-1) Freezer - LCD MODEL



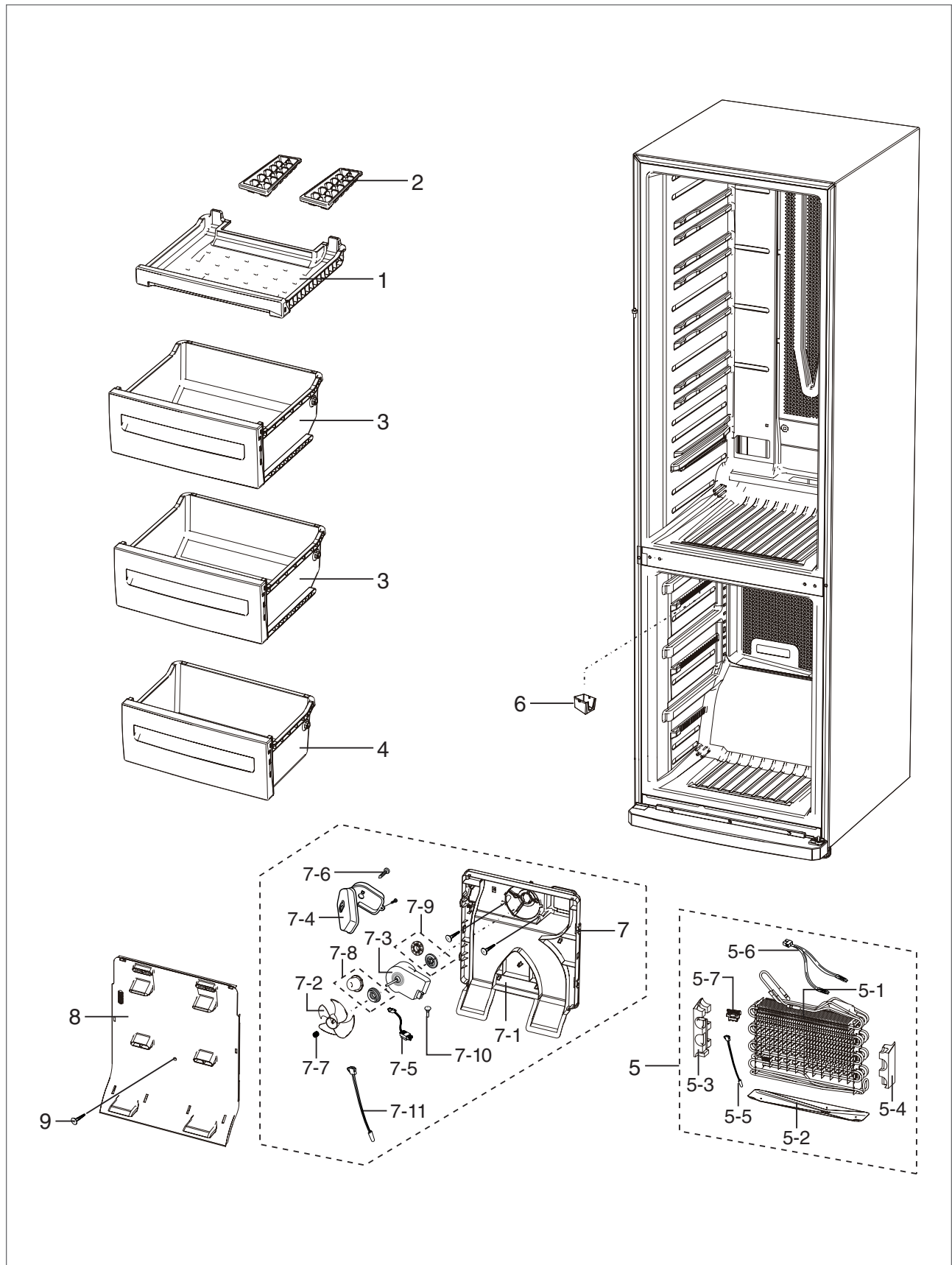
ILLUSTRATED PARTS CATALOG

■ Parts List of Freezer - LCD MODEL

NO	CODE-NO	PART NAME	MODEL		Quantity	SA/SNA	Remark
			RL44Q	RL44F			
1	DA97-04099A	ASSY TRAY-FRE UPP	●		1	SA	
2	DA67-40146B	TRAY-ICE	●		1	SA	
3	DA97-04089A	ASSY TRAY-FRE MID	●		2	SA	
4	DA97-04090A	ASSY TRAY-FRE LOW	●		1	SA	
5	DA96-00280B	ASSY EVAP-FRE	●		1	SA	
5-1	DA59-00350B	EVAP FRE	●		1	SA	
5-2	DA61-02812A	PLATE DRAIN EVAP	●		1	SNA	
5-3	DA60-00153A	SPACER EVAP L	●		1	SA	
5-4	DA60-00154A	SPACER EVAP R	●		1	SA	
5-5	DA32-00006B	SENSOR ASSY-REF	●		1	SA	
5-6	DA47-00095F	THERMO FUSE-ASSY	●		1	SA	
5-7	DA61-02901A	FIXER SENSOR EVAP	●		1	SA	
6	DA63-02902A	COVER-FIXER HOUSING,V	●		1	SA	
7	DA97-04021B	ASSY COVER-EVAP REAR	●		1	SA	
	DA97-04244A			●	1		
7-1	DA63-03076A	COVER EVAP-REAR	●		1	SNA	
7-2	DA31-00148A	FAN-AX112W5CCI	●		1	SA	
7-3	DA31-00146E	MOTOR DC-BLDC	●		1	SA	
	DA31-00103H	MOTOR FAN-AC		●	1		
7-4	DA63-01809A	COVER MOTOR-BLDC	●		1	SA	
	DA63-01283C	COVER MOTOR-AC		●	1		
7-5	DA39-00060K	WIRE HARNESS-MOTOR	●		1	SA	
7-6	6002-000213	SCREW-TAPPING		●	3	SA	
7-7	DA61-20128A	SPRING ETC-FAN	●		1	SA	
7-8	DA63-01808A	GROMMET-MOTOR,FRONT	●		1	SA	
	DA63-01976A	GROMMET-MOTOR		●	1		
7-9	DA63-01146A	GROMMET-MOTOR,REAR	●		1	SA	
	DA63-00771A	GROMMET-FAN MOTOR		●	1		
7-10	DA63-40167A	GROMMET-COVER CHIL	●		1	SA	
7-11	DA32-00006G	SENSOR TEMP-F DEF	●		1	SA	
8	DA97-04020A	ASSY COVER-EVAP FRONT	●		1	SA	
9	6002-000215	SCREW-TAPPING	●		3	SA	

ILLUSTRATED PARTS CATALOG

7-1) Freezer - LED MODEL



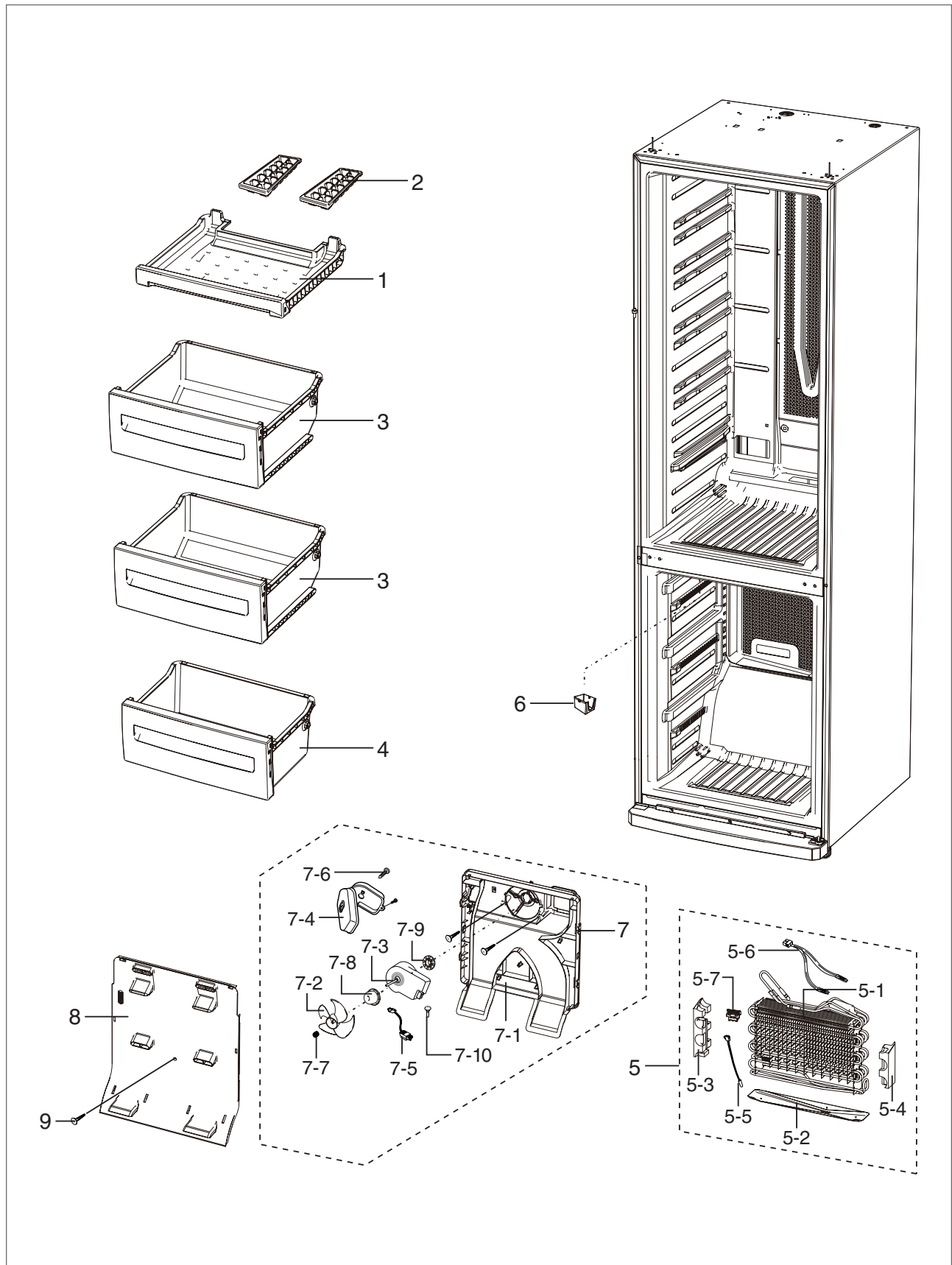
ILLUSTRATED PARTS CATALOG

■ Parts List of Freezer - LED MODEL

NO	CODE-NO	PART NAME	MODEL							Quantity	SA/SNA	Remark	
			RL44E	RL44W	RL41H	RL41E	RL41W	RL38H	RL38E				
1	DA97-04099A	ASSY TRAY-FRE UPP				●					1	SA	
2	DA67-40146B	TRAY-ICE				●					1	SA	
3	DA97-04089A	ASSY TRAY-FRE MID	●		●			●			2	SA	PREMIUM
	DA97-04127A		●			●	●			●			NORMAL
4	DA97-04090A	ASSY TRAY-FRE LOW	●		●			●			1	SA	PREMIUM
	DA97-04126A		●			●	●			●			NORMAL
5	DA96-00280D	ASSY EVAP-FRE	●		●	●	●	●	●		1	SA	220~240V/50Hz
	DA96-00280C			●			●						115~127V/60Hz
5-1	DA59-00350D	EVAP FRE	●		●	●	●	●	●		1	SA	220~240V/50Hz
	DA59-00350C			●			●						115~127V/60Hz
5-2	DA61-02812B	PLATE DRAIN EVAP					●				1	SNA	
5-3	DA60-00153A	SPACER EVAP L					●				1	SA	
5-4	DA60-00154A	SPACER EVAP R					●				1	SA	
5-5	DA32-00006B	SENSOR ASSY-REF					●				1	SA	
5-6	DA47-00095F	THERMO FUSE-ASSY					●				1	SA	
5-7	DA61-02901A	FIXER SENSOR EVAP					●				1	SA	
6	DA63-02902A	COVER-FIXER HOUSING,V					●				1	SA	
7	DA97-04021B	ASSY COVER-EVAP REAR			●			●			1	SA	
	DA97-04244A		●	●		●	●		●	220~240V/50Hz			
	DA97-04244B			●			●			115~127V/60Hz			
7-1	DA63-03076A	COVER EVAP-REAR					●				1	SNA	
7-2	DA31-00148A	FAN-AX112W5CCI					●				1	SA	
7-3	DA31-00146E	MOTOR DC-BLDC			●			●			1	SA	
	DA31-00103H	MOTOR FAN-AC	●	●			●	●		●			220~240V/50Hz
	DA31-00103J			●			●			115~127V/60Hz			
7-4	DA63-01809A	COVER MOTOR-BLDC			●			●			1	SA	
	DA63-01283C	COVER MOTOR-AC	●	●			●	●		●			
7-5	DA39-00060K	WIRE HARNESS-MOTOR			●			●			1	SA	
7-6	6002-000213	SCREW-TAPPING					●				3	SA	
7-7	DA61-20128A	SPRING ETC-FAN					●				1	SA	
7-8	DA63-01808A	GROMMET-MOTOR,FRONT			●			●			1	SA	
	DA63-01976A	GROMMET-MOTOR	●	●			●	●		●			
7-9	DA63-01146A	GROMMET-MOTOR,REAR			●			●			1	SA	
	DA63-00771A	GROMMET-FAN MOTOR	●	●			●	●		●			
7-10	DA63-40167A	GROMMET-COVER CHIL					●				1	SA	
7-11	DA32-00006G	SENSOR TEMP-F DEF					●				1	SA	
8	DA97-04020A	ASSY COVER-EVAP FRONT					●				1	SA	
9	6002-000215	SCREW-TAPPING					●				3	SA	

ILLUSTRATED PARTS CATALOG

7-1) Freezer - LED SEMI MODEL



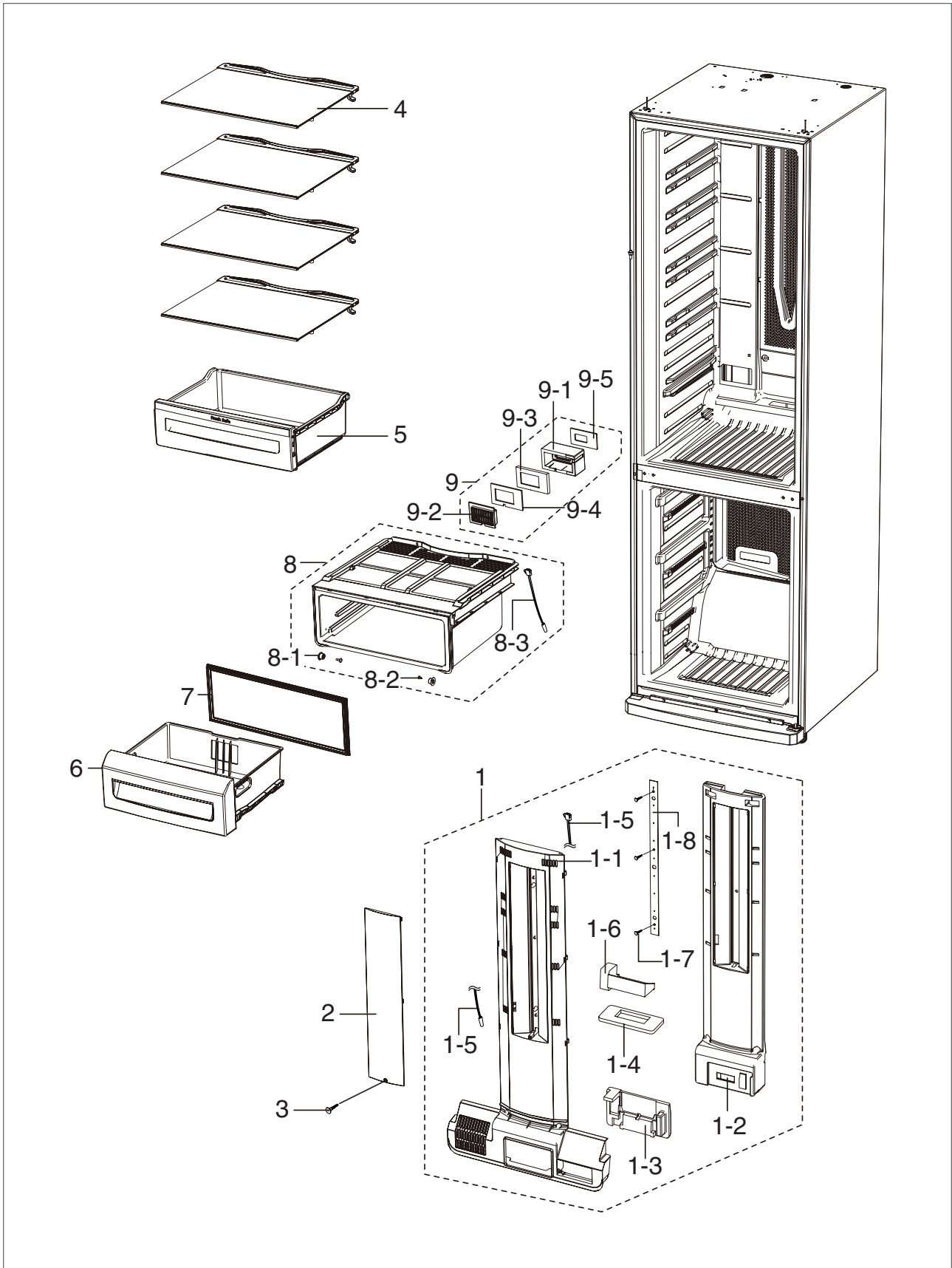
ILLUSTRATED PARTS CATALOG

■ **Parts List of Freezer - LED SEMI MODEL**

NO	CODE-NO	PART NAME	MODEL			Quantity	SA/SNA	Remark
			RL44S	RL41S	RL38S			
1	DA97-04099A	ASSY TRAY-FRE UPP		●		1	SA	
2	DA67-40146B	TRAY-ICE		●		1	SA	
3	DA97-04127A	ASSY TRAY-FRE MID		●		2	SA	
4	DA97-04126A	ASSY TRAY-FRE LOW		●		1	SA	
5	DA96-00280B	ASSY EVAP-FRE		●		1	SA	
5-1	DA59-00350B	EVAP FRE		●		1	SA	
5-2	DA61-02812A	PLATE DRAIN EVAP		●		1	SNA	
5-3	DA60-00153A	SPACER EVAP L		●		1	SA	
5-4	DA60-00154A	SPACER EVAP R		●		1	SA	
5-5	DA32-00006B	SENSOR ASSY-REF		●		1	SA	
5-6	DA47-00095F	THERMO FUSE-ASSY		●		1	SA	
5-7	DA61-02901A	FIXER SENSOR EVAP		●		1	SA	
6	DA63-02902A	COVER-FIXER HOUSING,V		●		1	SA	
7	DA97-04244A	ASSY COVER-EVAP REAR		●		1	SA	
7-1	DA63-03076A	COVER EVAP-REAR		●		1	SNA	
7-2	DA31-00148A	FAN-AX112W5CCI		●		1	SA	
7-3	DA31-00103H	MOTOR FAN-AC		●		1	SA	
7-4	DA63-01283C	COVER-MOTOR		●		1	SA	
7-5	DA32-00006G	SENSOR TEMP-F DEF		●		1	SA	
7-6	6002-000520	SCREW-TAPPING		●		3	SA	
7-7	DA61-20128A	SPRING ETC-FAN		●		1	SA	
7-8	DA63-01976A	GROMMET-MOTOR		●		1	SA	
7-9	DA63-00771A	GROMMET-FAN MOTOR		●		1	SA	
7-10	DA63-40167A	GROMMET-COVER CHIL		●		1	SA	
8	DA97-04020A	ASSY COVER-EVAP FRONT		●		1	SA	
9	6002-000215	SCREW-TAPPING		●		3	SA	

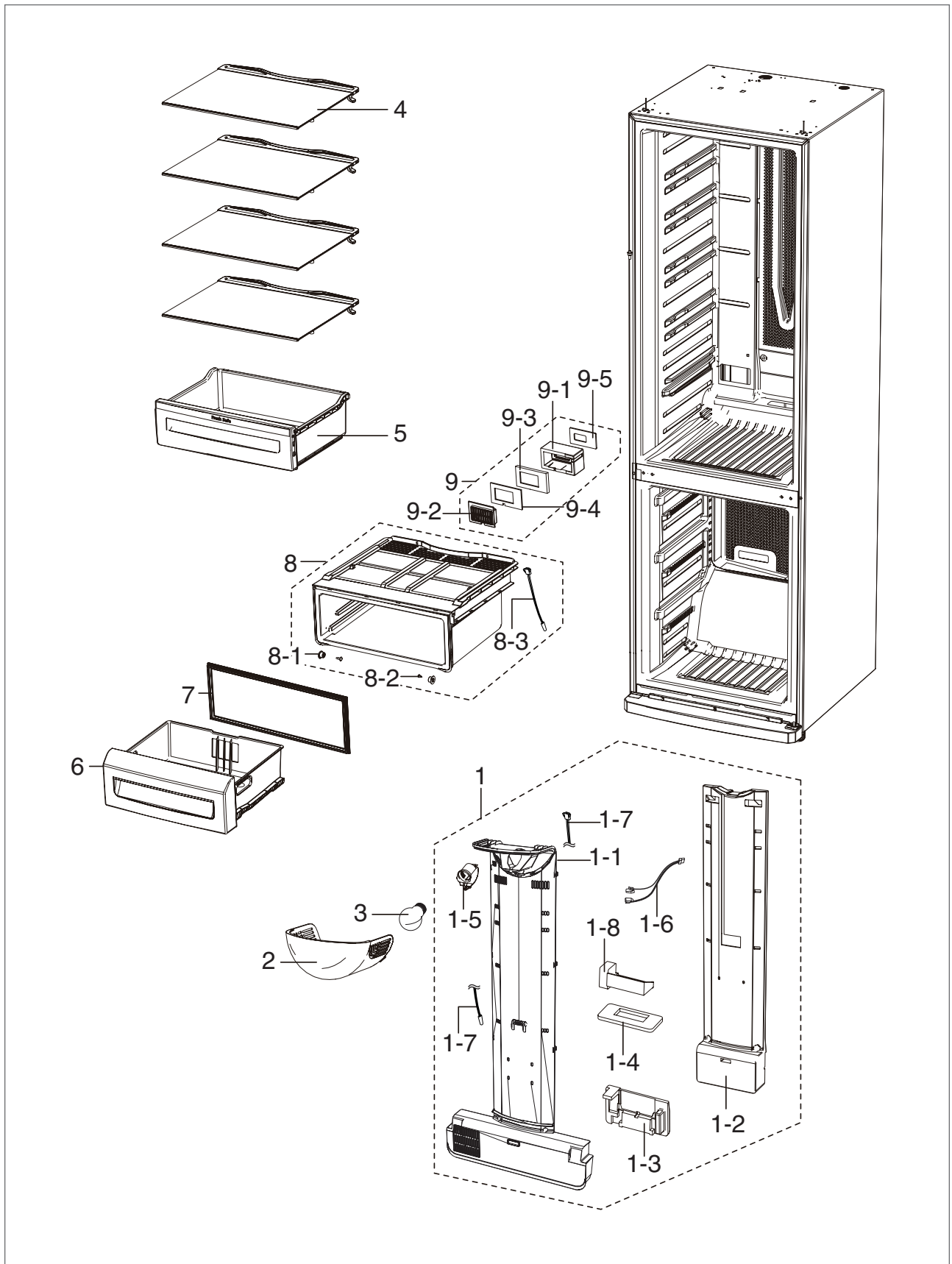
ILLUSTRATED PARTS CATALOG

7-2) Fridge - Cool Select Zone & LED Lamp MODEL



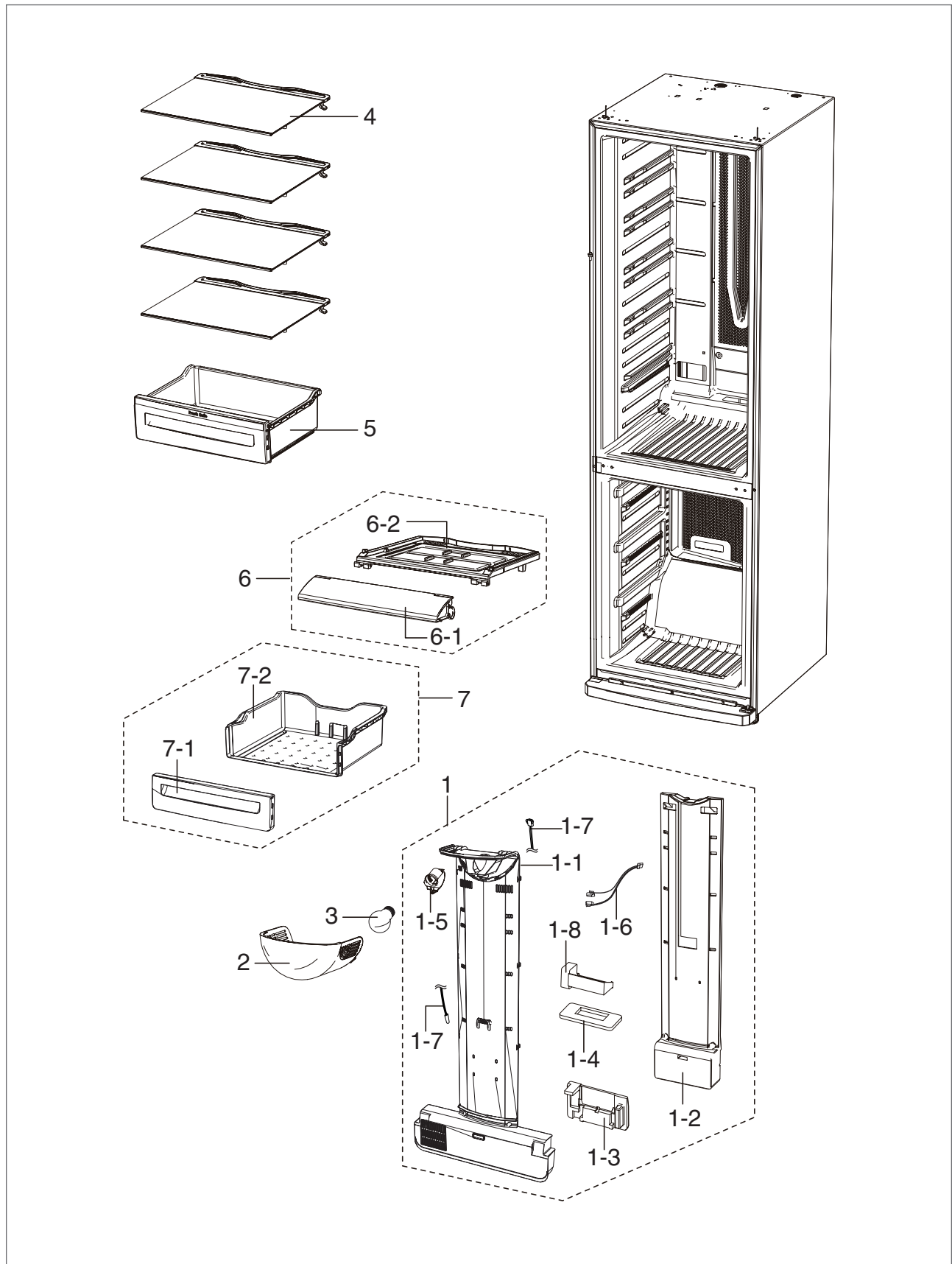
ILLUSTRATED PARTS CATALOG

7-2) Fridge - Cool Select Zone & Bulb Lamp MODEL



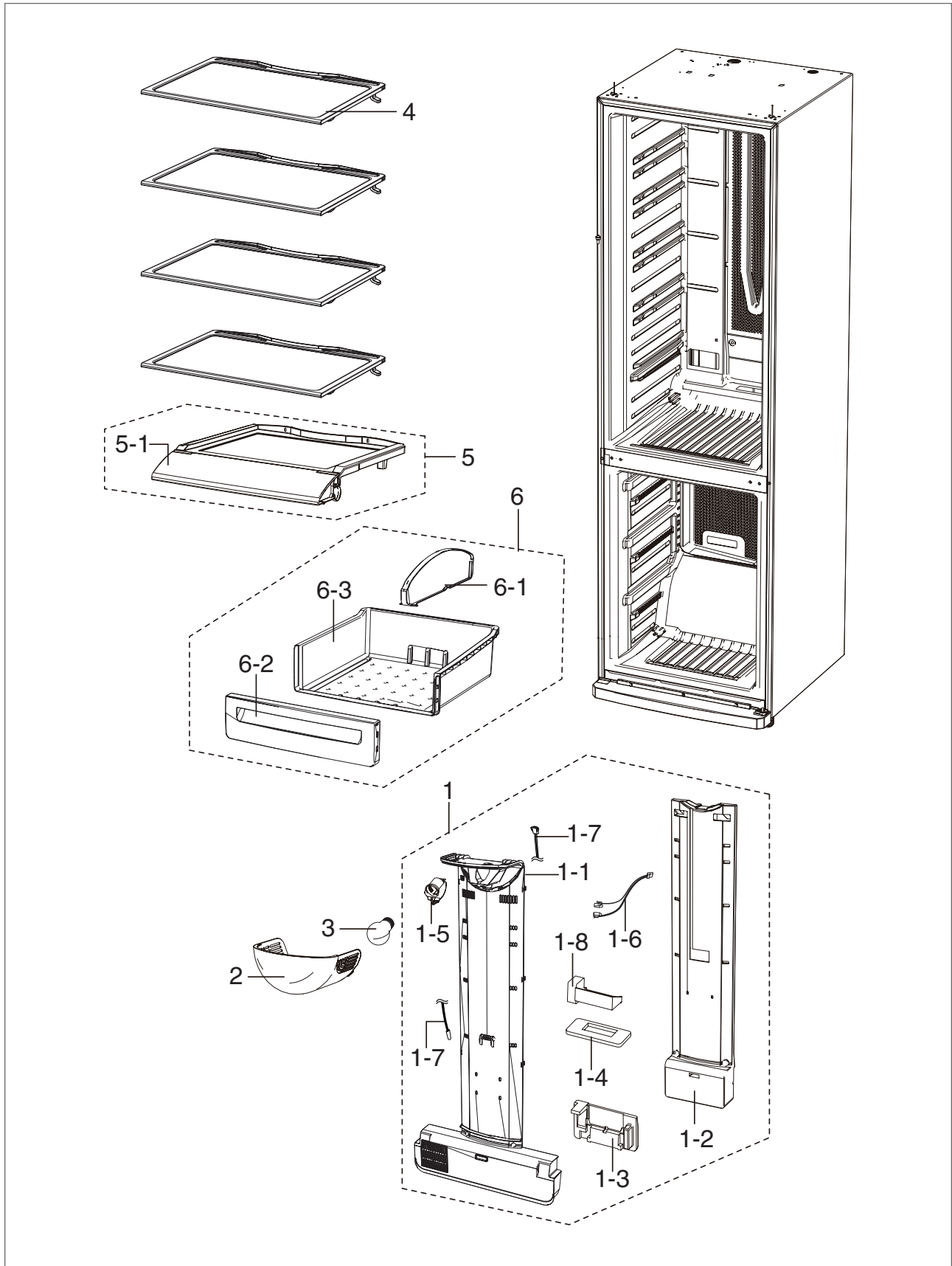
ILLUSTRATED PARTS CATALOG

7-2) Fridge - Chilled Room & Vegetable Box MODEL



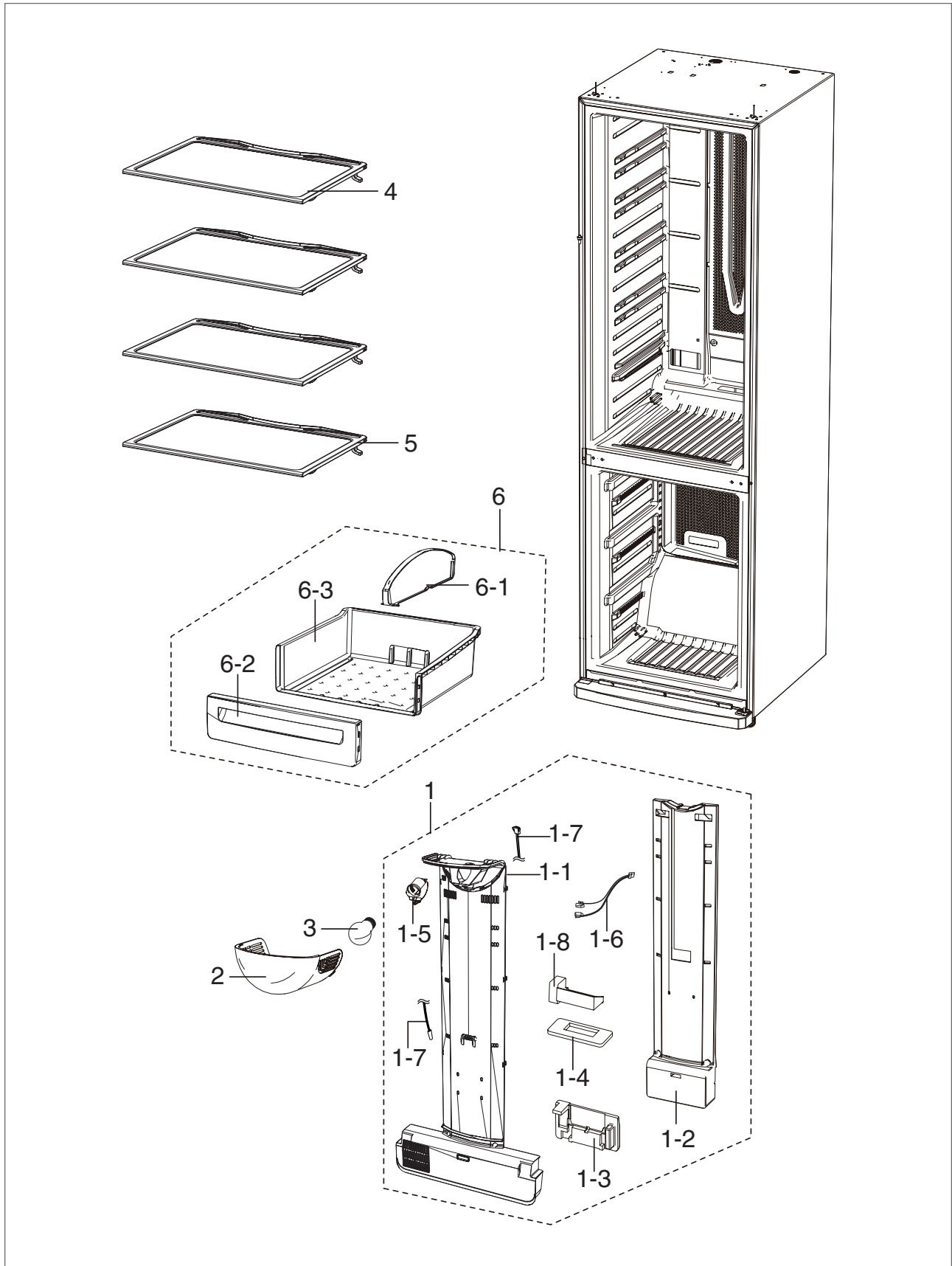
ILLUSTRATED PARTS CATALOG

7-2) Fridge - Big Vegetable Box MODEL



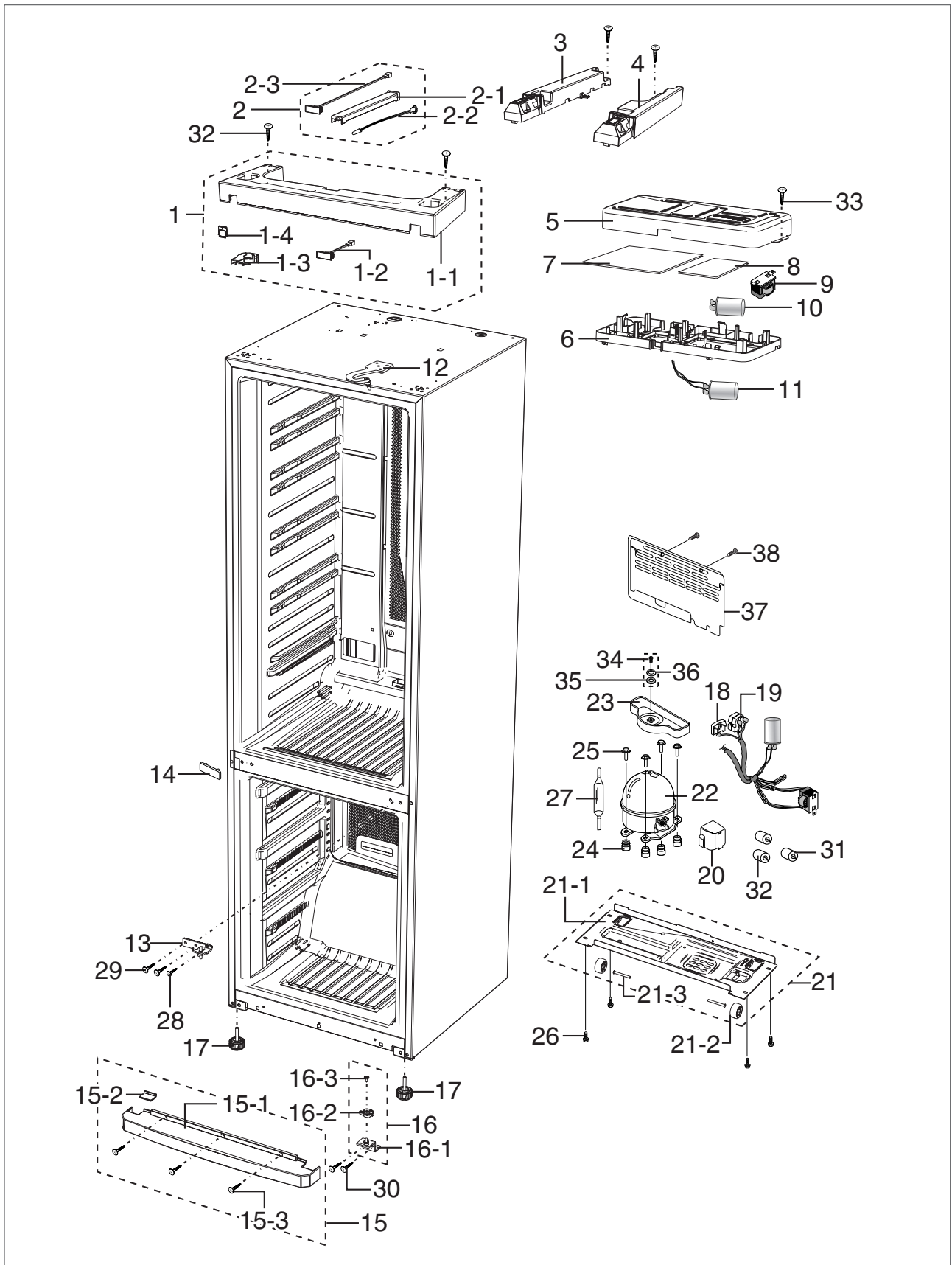
ILLUSTRATED PARTS CATALOG

7-2) Fridge - RL38 MODEL



ILLUSTRATED PARTS CATALOG

7-3) Cabinet - LCD MODEL



ILLUSTRATED PARTS CATALOG

■ Parts List of Cabinet - LCD MODEL

NO	CODE-NO	PART NAME	MODEL		COLOR	Quantity	SASNA	Remark
			RL44Q	RL44F				
1	DA97-04803A	ASSY CAP-CABI LED	●		RL****US	1	SA	
	DA97-04803B		●		RL****IS			
	DA97-04803C		●		RL****TB			
	DA97-04803D		●		RL****PS			
1-1	DA67-01584A	CAP-CABI LED	●		RL****US	1	SA	
	DA67-01584B		●		RL****IS			
	DA67-01584C		●		RL****TB			
	DA67-01584D		●		RL****PS			
1-2	DA34-00043A	SWITCH REED-ASS'Y	●		ALL	1	SA	
1-3	DA63-03029A	COVER-WIRE HINGE L	●		RL****US	1	SA	
	DA63-03029B		●		RL****IS			
	DA63-03029C		●		RL****TB			
	DA63-03029D		●		RL****PS			
1-4	DA67-01433E	CAP-HOLE HINGE UPP	●		RL****US	1	SA	
	DA67-01433B		●		RL****IS			
	DA67-01433C		●		RL****TB			
	DA67-01433D		●		RL****PS			
2	DA97-04064A	ASSY COVER-WIRE CABI	●		ALL	1	SA	
2-1	DA63-03074A	COVER-WIRE CABI	●		ALL	1	SA	
2-2	DA32-00011P	SENSOR TEMP-EXT	●		ALL	1	SA	
2-3	DA96-00285B	ASSY W/HARNESS-DISPLAY	●		ALL	1	SA	
3	DA67-01550A	CAP-CABI SIDE L	●		RL****US	1	SA	
	DA67-01550B		●		RL****IS			
	DA67-01550C		●		RL****TB			
	DA34-01550D		●		RL****PS			
4	DA67-01551A	CAP-CABI SIDE R	●		RL****US	1	SA	
	DA67-01551B		●		RL****IS			
	DA67-01551C		●		RL****TB			
	DA67-01551D		●		RL****PS			
5	DA63-03020A	COVER PCB-PANEL	●		ALL	1	SA	
6	DA61-02742A	CASE PCB-PANEL	●		ALL	1	SA	
7	DA41-00364A	PBA MAIN	●		ALL	1	SA	
	DA41-00364B			●	ALL	1		
8	DA41-00372A	PBA SMPS-LED SUB	●		ALL	1	SA	
9	DA26-00009K	TRANS POWER	●		ALL	1	SA	
10	DA27-00002A	COIL-NOISE FILTER	●		ALL	1	SA	
11	2501-001186	C-OIL	●		ALL	1	SA	
12	DA97-03899A	ASSY HINGE-UPP	●		ALL	1	SA	
13	DA97-03900A	ASSY HINGE-MID	●		ALL	1	SA	
14	DA67-00195A	CAP-HINGE HOLE-MID	●		ALL	1	SA	
15	DA97-03955A	ASSY COVER LEG FRONT	●		RL****US	1	SA	
	DA97-03955B		●		RL****IS			
	DA97-03955C		●		RL****TB			
	DA97-03955D		●		RL****PS			
15-1	DA63-03031A	COVER LEG-FRONT	●		RL****US	1	SA	

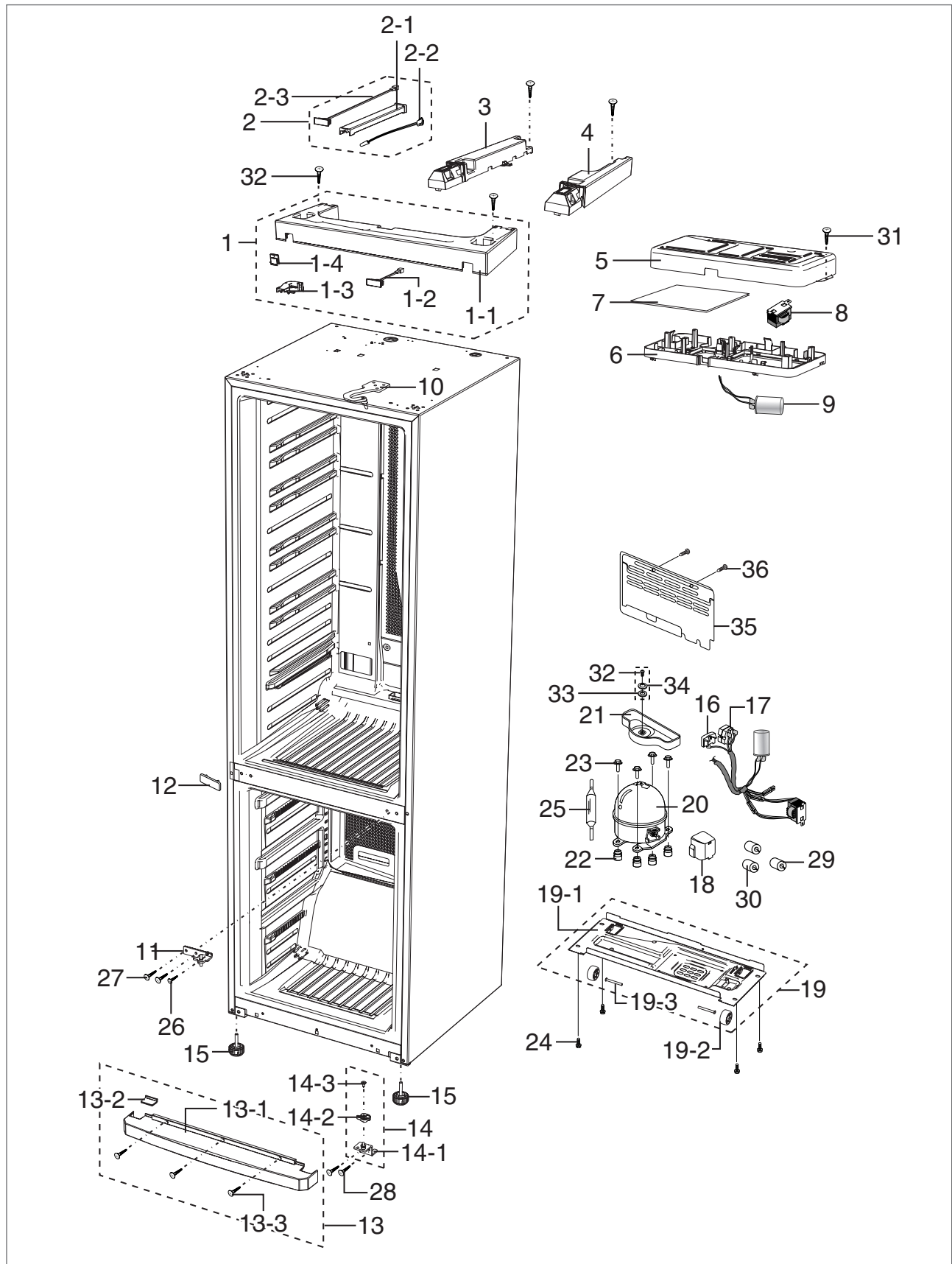
ILLUSTRATED PARTS CATALOG

■ Parts List of Cabinet - LCD MODEL

NO	CODE-NO	PART NAME	MODEL		COLOR	Quantity	SASNA	Remark
			RL44Q	RL44F				
15-1	DA63-03031B	COVER LEG-FRONT	●		RL****IS	1	SA	
	DA63-03031C		●		RL****TB			
	DA63-03031D		●		RL****PS			
			●		RL****SW			
15-2	DA67-01434A	CAP-HOLE HINGE LOW	●		RL****US	1	SA	
	DA67-01434B		●		RL****IS			
	DA67-01434C		●		RL****TB			
	DA67-01434D		●		RL****PS			
15-3	6002-000215	SCREW-TAPPING	●		ALL	3	SA	
16	DA97-03947B	ASSY HINGE-LOW	●		ALL	1	SA	
16-1	DA61-02753A	HINGE-LOW	●		ALL	1	SA	
16-2	DA61-02756B	GUIDE-AUTO CLOSE	●		ALL	1	SA	
16-3	6001-000039	SCREW-MACHINE	●		ALL	1	SNA	
17	DA61-00805A	FOOT-FRONT	●		ALL	2	SA	
18	DA34-10004A	RELAY PROTECTOR O/L	●		ALL	1	SA	
19	DA35-10013B	RELAY-PTC	●		ALL	1	SA	
20	DA63-01363A	COVER RELAY	●		ALL	1	SA	
21	DA97-03896A	ASSY CHASSIS-COMP	●		ALL	1	SA	
21-1	DA64-01806A	CHASSIS COMP	●		ALL	1	SNA	
21-2	DA61-40126B	CASTER-REAR	●		ALL	2	SA	
21-3	DA60-90146A	PIN-CASTER	●		ALL	2	SA	
22	MD4A1QL1U/E01	COMPRESSOR	●		ALL	1	SA	
23	DA63-01933C	TRAY DRAIN-WATER	●		ALL	1	SA	
24	DA63-02017A	GROMMET-COMP	●		ALL	4	SA	
25	DA60-20008A	BOLT-HEX	●		ALL	4	SA	
26	DA60-10004A	SCREW-HEX	●		ALL	4	SA	
27	DA62-01270A	DRYER	●		ALL	1	SA	
28	6002-000458	SCREW-TAPPING	●		ALL	1	SA	
29	DA60-10123E	SCREW-HEX	●		ALL	2	SNA	
30	DA60-10004A	SCREW-HEX	●		ALL	2	SA	
31	DA63-40171B	GROMMET-SUCT PIPE A	●		ALL	2	SA	
32	DA63-40171D	GROMMET-SUCT PIPE B	●		ALL	1	SA	
33	6002-000213	SCREW-TAPPING	●		ALL	9	SA	
34	6001-000033	SCREW-MACHINE	●		ALL	1	SNA	
35	DA60-00015A	WASHER	●		ALL	1	SNA	
36	DA60-40104J	WASHER	●		ALL	1	SA	
37	DA97-03985B	ASSY COVER-COMP	●		ALL	1	SA	
38	6002-000213	SCREW-TAPPING	●		ALL	2	SA	

ILLUSTRATED PARTS CATALOG

7-3) Cabinet - LED MODEL



ILLUSTRATED PARTS CATALOG

■ Parts List of Cabinet - LED MODEL

NO	CODE-NO	PART NAME	MODEL						COLOR	Quantity	SA/SNA	Remark	
			RL44E	RL44W	RL41H	RL41E	RL41W	RL38H					RL38E
1	DA97-04803A	ASSY CAP-CABI LED			•	•				RL****US	1	SA	
	DA97-04803B					•				RL****IS			
	DA97-04803C					•				RL****PS			
	DA97-04803D					•				RL****S			
1-1	DA67-01584A	CAP-CABI LED			•	•				RL****US	1	SA	
	DA67-01584B					•				RL****IS			
	DA67-01584C					•				RL****PS			
	DA67-01584D					•				RL****S			
1-2	DA34-00043A	SWITCH REED-ASS'Y				•				ALL	1	SA	
1-3	DA63-03029A	COVER-WIRE HINGE L			•	•				RL****US	1	SA	
	DA63-03029B					•				RL****IS			
	DA63-03029C					•				RL****PS			
	DA63-03029D					•				RL****S			
1-4	DA67-01433E	CAP-HOLE HINGE UPP			•	•				RL****US	1	SA	
	DA67-01433B					•				RL****IS			
	DA67-01433C					•				RL****PS			
	DA67-01433D					•				RL****S			
2	DA97-04064B	ASSY COVER-WIRE CABI				•				ALL	1	SA	
2-1	DA63-03074A	COVER-WIRE CABI				•				ALL	1	SA	
2-2	DA32-00011P	SENSOR TEMP-EXT				•				ALL	1	SA	
2-3	DA96-00285A	ASSY W/HARNESS-DISPLAY				•				ALL	1	SA	
3	DA67-01550A	CAP-CABI SIDE L			•	•				RL****US	1	SA	
	DA67-01550B					•				RL****IS			
	DA67-01550C					•				RL****PS			
	DA34-01550D					•				RL****S			
4	DA67-01551A	CAP-CABI SIDE R			•	•				RL****US	1	SA	
	DA67-01551B					•				RL****IS			
	DA67-01551C					•				RL****PS			
	DA67-01551D					•				RL****S			
5	DA63-03020A	COVER PCB-PANEL				•				ALL	1	SA	
6	DA61-02742A	CASE PCB-PANEL				•				ALL	1	SA	
7	DA41-00362A	PBA MAIN	•	•		•	•			ALL	1	SA	
	DA41-00362D				•								
	DA41-00362H							•					
	DA41-00362G								•				
8	DA26-00009K	TRANS POWER	•		•	•		•	•	ALL	1	SA	220-240V
	DA26-00009J			•			•						115-127V
9	2501-001186	C-OIL	•		•	•		•	•	ALL	1	SA	220-240V/50Hz
	2501-001045			•			•						115-127V/60Hz
10	DA97-03899A	ASSY HINGE-UPP				•				ALL	1	SA	
11	DA97-03900A	ASSY HINGE-MID				•				ALL	1	SA	
12	DA67-00195A	CAP-HINGE HOLE-MID				•				ALL	1	SA	
13	DA97-03955A	ASSY COVER LEG FRONT			•	•				RL****US	1	SA	
	DA97-03955B					•				RL****IS			
	DA97-03955C					•				RL****PS			
	DA97-03955D					•				RL****S			

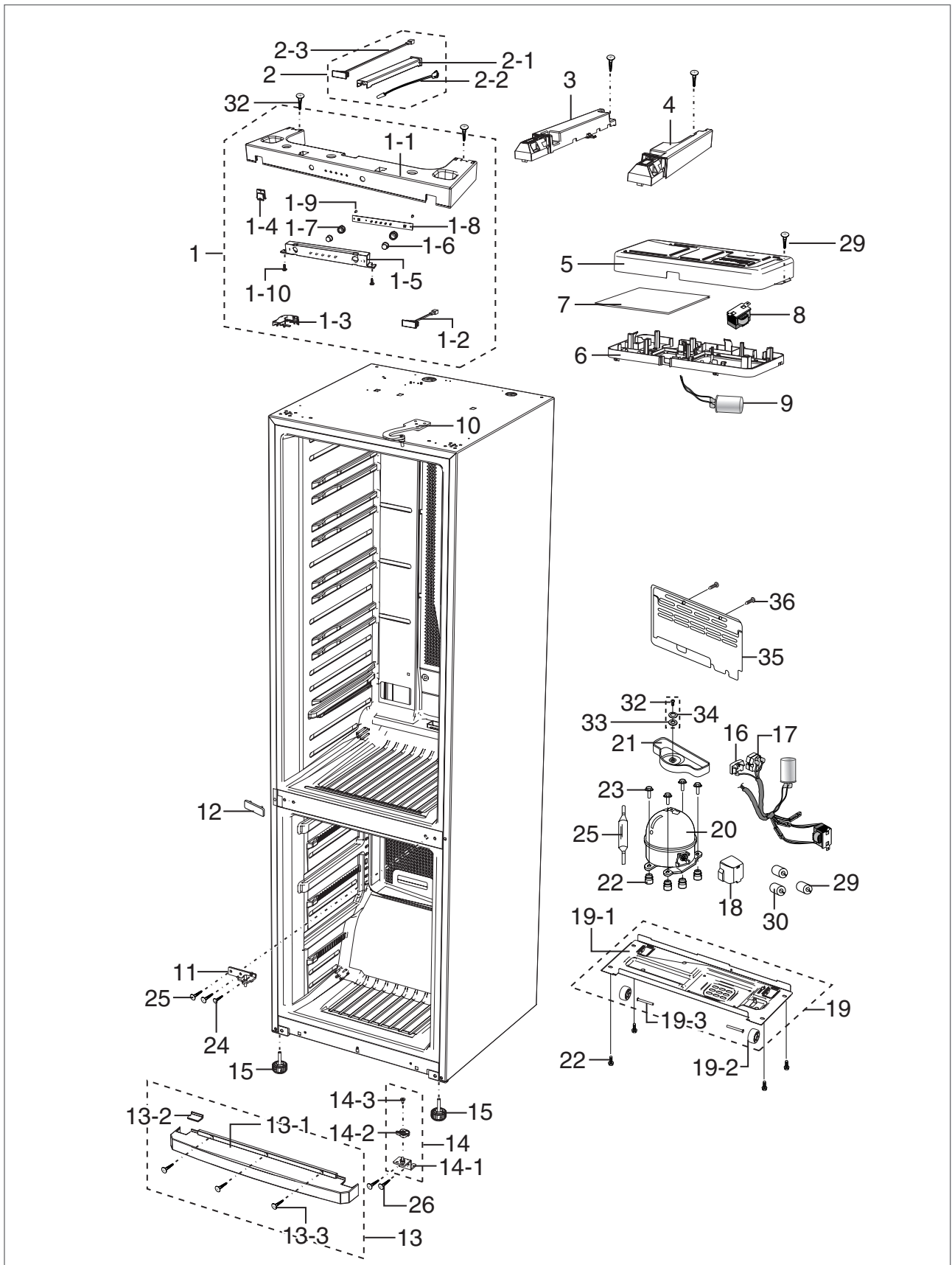
ILLUSTRATED PARTS CATALOG

■ Parts List of Cabinet - LED MODEL

NO	CODE-NO	PART NAME	MODEL						COLOR	Quantity	SA/SNA	Remark		
			RL44E	RL44W	RL41H	RL41E	RL41W	RL38H					RL38E	
13-1	DA63-03031A	COVER LEG-FRONT			●	●				RL****US	1	SA		
	DA63-03031B					●				RL****IS				
	DA63-03031C					●				RL****PS				
	DA63-03031D					●				RL****S				
13-2	DA67-01434A	CAP-HOLE HINGE LOW			●	●				RL****US	1	SA		
	DA63-03031B					●				RL****IS				
	DA67-01434C					●				RL****PS				
	DA67-01434D					●				RL****S				
14	DA97-03947B	ASSY HINGE-LOW				●				ALL	1	SA		
14-1	DA61-02753A	HINGE-LOW				●				ALL	1	SA		
14-2	DA61-02756B	GUIDE-AUTO CLOSE				●				ALL	1	SA		
14-3	6001-000039	SCREW-MACHINE				●				ALL	1	SA		
15	DA61-00805A	FOOT-FRONT				●				ALL	2	SA		
16	DA34-10004A	RELAY PROTECTOR O/L	●		●	●		●	●	ALL	1	SA	R600a,220~240V/50Hz	
	DA34-10003K			●					●				R134a,220~240V/50Hz	
	DA35-00043U						●							R134a,220~240V/60Hz
	DA35-00043F													R134a,220~240V/50Hz
17	DA35-10013B	RELAY-PTC	●	●	●	●		●	●	ALL	1	SA	220~240V/50Hz	
	DA35-10013N						●							115~127V/60Hz
	DA35-10013E													220~240V/50Hz
18	DA63-01363A	COVER RELAY	●		●	●		●	●	ALL	1	SA	220~240V	
	DA63-01866A			●			●							115~127V
19	DA97-03896A	ASSY CHASSIS-COMP				●				ALL	1	SA		
19-1	DA64-01806A	CHASSIS COMP				●				ALL	1	SNA		
19-2	DA61-40126B	CASTER-REAR				●				ALL	2	SA		
19-3	DA60-90146A	PIN-CASTER				●				ALL	2	SA		
20	MD4A1QL1U/E01	COMPRESSOR	●		●	●		●	●	ALL	1	SC	R600a,220~240V/50Hz	
	MK172QL2U/E18			●					●				R134a,220~240V/50Hz	
	MK162DL1U/E08						●							R134a,115~127V/60Hz
	MK172HL2U/E18													R134a,220~240V/50Hz
21	DA63-01933C	TRAY DRAIN-WATER				●				ALL	1	SA		
22	DA63-02017A	GROMMET-COMP				●				ALL	4	SA		
23	DA60-20008A	BOLT-HEX				●				ALL	4	SA		
24	DA60-10004A	SCREW-HEX				●				ALL	4	SA		
25	DA62-01270A	DRYER				●				ALL	1	SA		
26	6002-000458	SCREW-TAPPING				●				ALL	1	SA		
27	DA60-10123E	SCREW-HEX				●				ALL	2	SNA		
28	DA60-10004A	SCREW-HEX				●				ALL	2	SA		
29	DA63-40171B	GROMMET-SUCT PIPE A				●				ALL	2	SA		
30	DA63-40171D	GROMMET-SUCT PIPE B				●				ALL	1	SA		
31	6002-000213	SCREW-TAPPING				●				ALL	9	SA		
32	6001-000033	SCREW-MACHINE				●				ALL	1	SNA		
33	DA60-00015A	WASHER				●				ALL	1	SNA		
34	DA60-40104J	WASHER				●				ALL	1	SA		
35	DA97-03985B	ASSY COVER-COMP				●				ALL	1	SA		
36	6002-000213	SCREW-TAPPING				●				ALL	2	SA		

ILLUSTRATED PARTS CATALOG

7-3) Cabinet - LED SEMI MODEL



ILLUSTRATED PARTS CATALOG

■ Parts List of Cabinet - LED SEMI MODEL

NO	CODE-NO	PART NAME	MODEL			COLOR	Quantity	SA/SNA	Remark
			RL44S	RL41S	RL38S				
1	DA97-04804A	ASSY CAP-CABI SEMI		●		RL****PS	1	SA	
	DA97-04804B			●		RL****SW			
	DA97-04804C		●	●	●	RL****IS			
1-1	DA67-01585A	CAP-CABI SEMI		●		RL****PS	1	SA	
	DA67-01585B			●		RL****SW			
	DA67-01585C			●	●	RL****IS			
1-2	DA34-00043A	SWITCH REED-ASS'Y		●		ALL	1	SA	
1-3	DA63-03029C	COVER-WIRE HINGE L		●		RL****PS	1	SA	
	DA63-03029D			●		RL****SW			
	DA63-03029B			●	●	RL****IS			
1-4	DA67-01433C	CAP-HOLE HINGE UPP		●		RL****PS	1	SA	
	DA67-01433D			●		RL****SW			
	DA67-01433B			●	●	RL****IS			
1-5	DA63-03079A	COVER-CONTROL SEMI		●		ALL	1	SA	
1-6	DA64-01824A	BUTTON		●		RL****PS	2	SA	
	DA64-01824B			●		RL****SW			
	DA64-01824C			●	●	RL****IS			
1-7	DA63-03080A	GASKET-BUTTON SEMI		●		ALL	2	SA	
1-8	DA41-00370A	PBA PANEL-SEMI		●		ALL	1	SA	
1-9	6002-000466	SCREW-TAPPING		●		ALL	2	SA	
1-10	6002-000213	SCREW-TAPPING		●		ALL	2	SA	
2	DA97-04064C	ASSY COVER-WIRE CABI		●		ALL	1	SA	
2-1	DA63-03074A	COVER-WIRE CABI		●		ALL	1	SA	
2-2	DA32-00011P	SENSOR TEMP-EXT		●		ALL	1	SA	
2-3	DA96-00285C	ASSY W/HARNESS-DISPLAY		●		ALL	1	SA	
3	DA67-01550B	CAP-CABI SIDE L		●	●	RL****IS	1	SA	
	DA67-01550C			●		RL****PS			
	DA34-01550D			●		RL****SW			
4	DA67-01551B	CAP-CABI SIDE R		●	●	RL****IS	1	SA	
	DA67-01551C			●		RL****PS			
	DA67-01551D			●		RL****SW			
5	DA63-03020A	COVER PCB-PANEL		●		ALL	1	SA	
6	DA61-02742A	CASE PCB-PANEL		●		ALL	1	SA	
7	DA41-00362C	PBA MAIN-SEMI	●	●		ALL	1	SA	
	DA41-00362F			●	●	ALL	1	SA	
8	DA26-00009K	TRANS POWER		●		ALL	1	SA	
9	2501-001186	C-OIL		●		ALL	1	SA	220~240V/50Hz
10	DA97-03899A	ASSY HINGE-UPP		●		ALL	1	SA	
11	DA97-03900A	ASSY HINGE-MID		●		ALL	1	SA	
12	DA67-00195A	CAP-HINGE HOLE-MID		●		ALL	1	SA	
13	DA97-03955C	ASSY COVER-LEG FRONT		●		RL****PS	1	SA	
	DA97-03955D			●		RL****SW			
13-1	DA63-03031C	COVER LEG-FRONT		●		RL****PS	1	SA	
	DA63-03031D			●		RL****SW			
13-2	DA67-01434C	CAP-HOLE HINGE LOW		●		RL****PS	1	SA	
	DA67-01434D			●		RL****SW			
14	DA97-03947B	ASSY HINGE-LOW		●		ALL	1	SA	
14-1	DA61-02753A	HINGE-LOW		●		ALL	1	SA	
14-2	DA61-02756B	GUIDE-AUTO CLOSE		●		ALL	1	SA	
14-3	6001-000039	SCREW-MACHINE		●		ALL	1	SA	
15	DA61-00805A	FOOT-FRONT		●		ALL	2	SA	
16	DA34-10004A	RELAY PROTECTOR O/L	●	●	●	ALL	1	SA	R600a

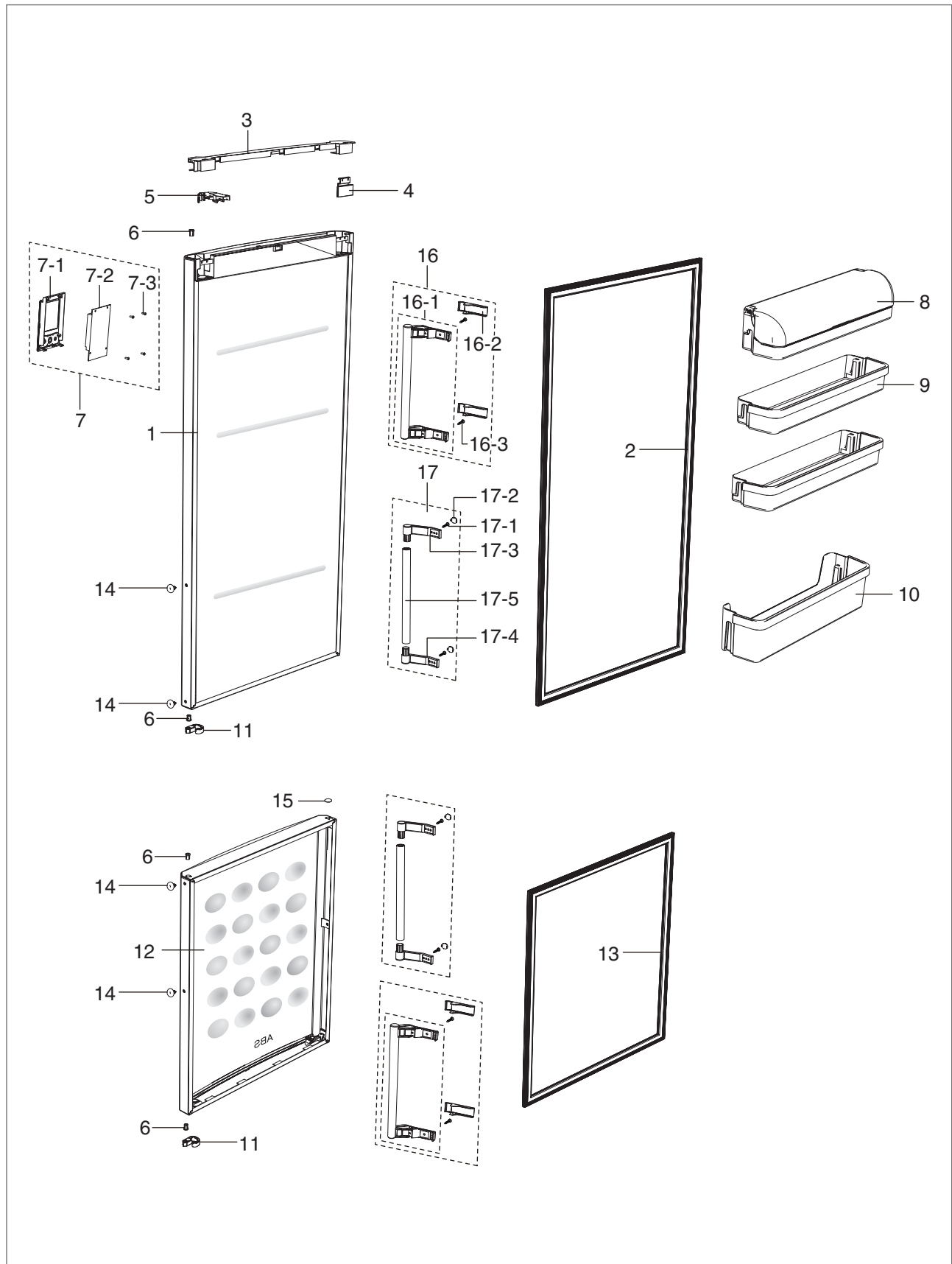
ILLUSTRATED PARTS CATALOG

■ Parts List of Cabinet - LED SEMI MODEL

NO	CODE-NO	PART NAME	MODEL			COLOR	Quantity	SA/SNA	Remark
			RL44S	RL41S	RL38S				
16	DA34-10003K	RELAY PROTECTOR O/L			●	ALL	1	SA	R134a
17	DA35-10013B	RELAY-PTC		●		ALL	1	SA	
18	DA63-01363A	COVER RELAY		●		ALL	1	SA	
19	DA97-03896A	ASSY CHASSIS-COMP		●		ALL	1	SA	
19-1	DA64-01806A	CHASSIS COMP		●		ALL	1	SNA	
19-2	DA61-40126B	CASTER-REAR		●		ALL	2	SA	
19-3	DA60-90146A	PIN-CASTER		●		ALL	2	SA	
20	MD4A1QL1U/E01	COMPRESSOR	●	●	●	ALL	1	SC	R600a
	MK172QL2U/E18			●					R134a
21	DA63-01933C	TRAY DRAIN-WATER		●		ALL	1	SA	
22	DA63-02017A	GROMMET-COMP		●		ALL	4	SA	
23	DA60-20008A	BOLT-HEX		●		ALL	4	SA	
24	DA60-10004A	SCREW-HEX		●		ALL	4	SA	
25	DA62-01270A	DRYER		●		ALL	1	SA	
26	6002-000458	SCREW-TAPPING		●		ALL	1	SA	
27	DA60-10123E	SCREW-HEX		●		ALL	2	SNA	
28	DA60-10004A	SCREW-HEX		●		ALL	2	SA	
29	DA63-40171B	GROMMET-SUCT PIPE A		●		ALL	2	SA	
30	DA63-40171D	GROMMET-SUCT PIPE B		●		ALL	1	SA	
31	6002-000213	SCREW-TAPPING		●		ALL	9	SA	
32	6001-000033	SCREW-MACHINE		●		ALL	1	SNA	
33	DA60-00015A	WASHER		●		ALL	1	SNA	
34	DA60-40104J	WASHER		●		ALL	1	SA	
35	DA97-03985B	ASSY COVER-COMP		●		ALL	1	SA	
36	6002-000213	SCREW-TAPPING		●		ALL	2	SA	

ILLUSTRATED PARTS CATALOG

7-4) Door - LCD MODEL



ILLUSTRATED PARTS CATALOG

■ Parts List of Door - LCD MODEL

NO	CODE-NO	PART NAME	MODEL		COLOR	Quantity	SA/SNA	Remark
			RL44Q	RL44F				
1	DA91-02263A	ASSY DOOR FOAM REF		●	RL****US	1	SA	
	DA91-02263B			●	RL****IS			
	DA91-02263C			●	RL****PS			
	DA91-02263J			●	RL****TB			
	DA91-02263K			●	RL****SW			
2	DA97-04097A	ASSY-GASKET DOOR REF		●	ALL	1	SA	
3	DA63-03045A	COVER-WIRE DOOR		●	RL****US	1	SA	
	DA63-03045B			●	RL****IS			
	DA63-03045C			●	RL****TB			
	DA63-03045D			●	RL****PS			
4	DA67-01437A	CAP-SPACE DOOR		●	RL****US	1	SA	
	DA67-01437B			●	RL****IS			
	DA67-01437C			●	RL****TB			
	DA67-01437D			●	RL****PS			
5	DA63-03030A	COVER-WIRE HINGE R		●	RL****US	1	SA	
	DA63-03030B			●	RL****IS			
	DA63-03030C			●	RL****TB			
	DA63-03030D			●	RL****PS			
6	DA63-03046A	GROMMET-HINGE		●	ALL	4	SA	
7	DA97-04023H	ASSY COVER-CONTROL		●	RL****US	1	SA	
	DA97-04023J			●	RL****IS			
	DA97-04023K			●	RL****PS			
	DA97-0402L			●	RL****TB			
7-1	DA97-04001H	ASSY COVER-CONTROL SUB		●	RL****US	1	SA	
	DA97-04001J			●	RL****IS			
	DA97-04001K			●	RL****PS			
	DA97-04001L			●	RL****TB			
7-2	DA41-00371A	PBA PANEL-LCD		●	ALL	1	SA	
7-3	6002-000466	SCREW-TAPPING		●	ALL	4	SA	
8	DA97-03880A	ASSY GUARD-DAIRY		●	ALL	1	SA	
9	DA64-01900A	TRIM-GUARD VARIETY		●	ALL	2	SA	
10	DA64-01899A	TRIM-GUARD BOTTLE		●	ALL	1	SA	
11	DA61-02773A	STOPPER-DOOR		●	ALL	1	SA	
12	DA91-02262A	ASSY DOOR FOAM FRE		●	RL****US	1	SA	
	DA91-02262B			●	RL****IS			
	DA91-02262C			●	RL****PS			
	DA91-02262E			●	RL****TB			
	DA91-02262D			●	RL****SW			
13	DA97-04098A	ASSY-GASKET DOOR FRE		●	ALL	1	SA	
14	DA67-00589B	CAP-HOLE DOOR		●	RL****US	8	SA	
	DA67-00589C			●	RL****IS			
	DA67-00589D			●	RL****TB			
	DA67-00589E			●	RL****PS			
15	DA67-01502A	CAP-HINGE HOLE		●	RL****US	1	SA	
	DA67-01502B			●	RL****IS			
								RL****TB

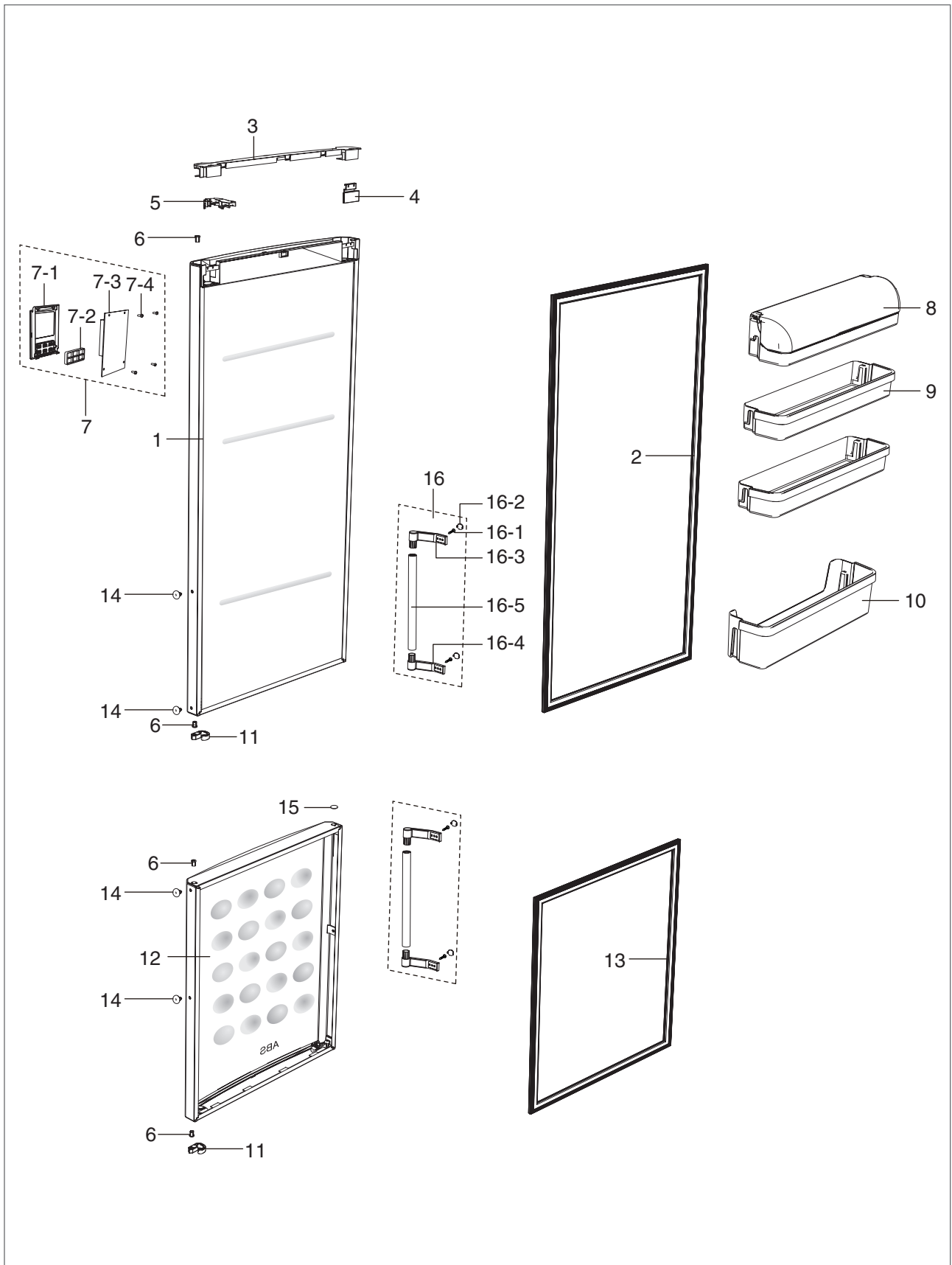
ILLUSTRATED PARTS CATALOG

■ Parts List of Door - LCD MODEL

NO	CODE-NO	PART NAME	MODEL		COLOR	Quantity	Quantity	Remark
			RL44Q	RL44F				
15	DA67-01502C	CAP-HINGE HOLE	●		RL****PS	1	SA	
	DA67-01502D		●		RL****SW			
16	DA97-04190A	ASSY HANDLE-INSTALL	●		RL****US	1	SA	
	DA97-04190C		●		RL****SW			
16-1	DA97-04189A	ASSY-HANDLE	●		RL****US	2	SA	EASY HANDLE
	DA97-04189C		●		RL****SW			
16-2	DA63-03197A	COVER-SLIDER HANDLE	●		RL****US	4	SA	
	DA63-03197C		●		RL****SW			
16-3	DA60-10108A	SCREW-HEX	●		ALL	4	SA	
17	DA97-03954A	ASSY HANDLE-INSTALL	●		RL****US	1	SA	
	DA97-03954B		●		RL****TB			
	DA97-03954C		●		RL****PS			
	DA97-03954D		●		RL****SW			
17-1	DA60-10108A	SCREW-HEX	●		ALL	4	SA	
17-2	DA67-01438A	CAP-SCREW HANDLE	●		RL****US	4	SA	
	DA67-01438B		●		RL****TB			
	DA67-01438C		●		RL****PS			
	DA67-01438D		●		RL****SW			
17-3	DA61-02774A	SUPPORT-HANDLE UP	●		RL****US	2	SA	ABS BAR HANDLE
	DA61-02774D		●		RL****TB			
	DA61-02774B		●		RL****PS			
	DA61-02774C		●		RL****SW			
17-4	DA61-02775A	SUPPORT-HANDLE LOW	●		RL****US	2	SA	
	DA61-02775D		●		RL****TB			
	DA61-02775B		●		RL****PS			
	DA61-02775C		●		RL****SW			
17-5	DA64-01815A	HANDLE-BAR	●		RL****US	2	SA	
	DA64-01815B		●		RL****TB			
	DA64-01815C		●		RL****PS			
	DA64-01815D		●		RL****SW			

ILLUSTRATED PARTS CATALOG

7-4) Door - LED MODEL



ILLUSTRATED PARTS CATALOG

■ Parts List of Door - LED MODEL

NO	CODE-NO	PART NAME	MODEL					COLOR	Quantity	SA/SNA	Remark	
			RL44E	RL41H	RL41E	RL38H	RL38E					
1	DA91-02263D	ASSY DOOR FOAM REF	●					RL****IS	1	SA		
	DA91-02263E		●					RL****PS				
	DA91-02263F		●					RL****SW				
	DA91-02263K		●					RL****TB				
	DA91-02324A			●	●			RL****US				
	DA91-02324B			●	●			RL****IS				
	DA91-02324C			●	●			RL****PS				
	DA91-02324D			●	●			RL****SW				
	DA91-02324E			●	●			RL****TB				
	DA91-02328A						●	●			RL****PS	
	DA91-02328B						●	●			RL****SW	
	DA91-02328C						●	●			RL****TB	
2	DA97-04097A	ASSY-GASKET DOOR REF	●					ALL	1	SA		
	DA97-04097B			●	●							
	DA97-04097C					●	●					
3	DA63-03045A	COVER-WIRE DOOR		●	●			RL****US	1	SA		
	DA63-03045B				●			RL****IS				
	DA63-03045C				●			RL****PS				
	DA63-03045D				●			RL****SW				
4	DA67-01437A	CAP-SPACE DOOR		●	●			RL****US	1	SA		
	DA67-01437B				●			RL****IS				
	DA67-01437C				●			RL****PS				
	DA67-01437D				●			RL****SW				
5	DA63-03030A	COVER-WIRE HINGE R		●	●			RL****US	1	SA		
	DA63-03030B				●			RL****IS				
	DA63-03030C				●			RL****PS				
	DA63-03030D				●			RL****SW				
6	DA63-03046A	GROMMET-HINGE			●			ALL	4	SA		
7	DA97-04022E	ASSY COVER-CONTROL		●	●			RL****US	1	SA		
	DA97-04022F				●			RL****IS				
	DA97-04022G				●			RL****PS				
	DA97-04022H				●			RL****TB				
	DA97-04022I				●			RL****SW				
7-1	DA97-04006E	ASSY COVER-CONTROL SUB			●			RL****US	1	SA		
	DA97-04006F				●			RL****IS				
	DA97-04006G				●			RL****PS				
	DA97-04006H				●			RL****TB				
7-2	DA63-03047A	GASKET-KNOB CONTROL			●			ALL	1	SA		
7-3	DA41-00369A	PBA PANEL-LED			●			ALL	1	SA		
7-4	6002-000466	SCREW-TAPPING			●			ALL	4	SA		
8	DA97-03880A	ASSY GUARD-DAIRY			●			ALL	1	SA		
9	DA64-01900A	TRIM-GUARD VARIETY	●	●		●		ALL	2	SA	PREMIUM	
	DA63-03034A	GUARD-VARIETY			●			ALL			NORMAL	
10	DA64-01899A	TRIM-GUARD BOTTLE	●	●		●		ALL	1	SA	PREMIUM	
	DA63-03033A	GUARD-BOTTLE			●			ALL			NORMAL	
11	DA61-02773A	STOPPER-DOOR			●			ALL	1	SA		
12	DA91-02262B	ASSY DOOR FOAM FRE	●					RL****IS	1	SA		
	DA91-02262C		●					RL****PS				

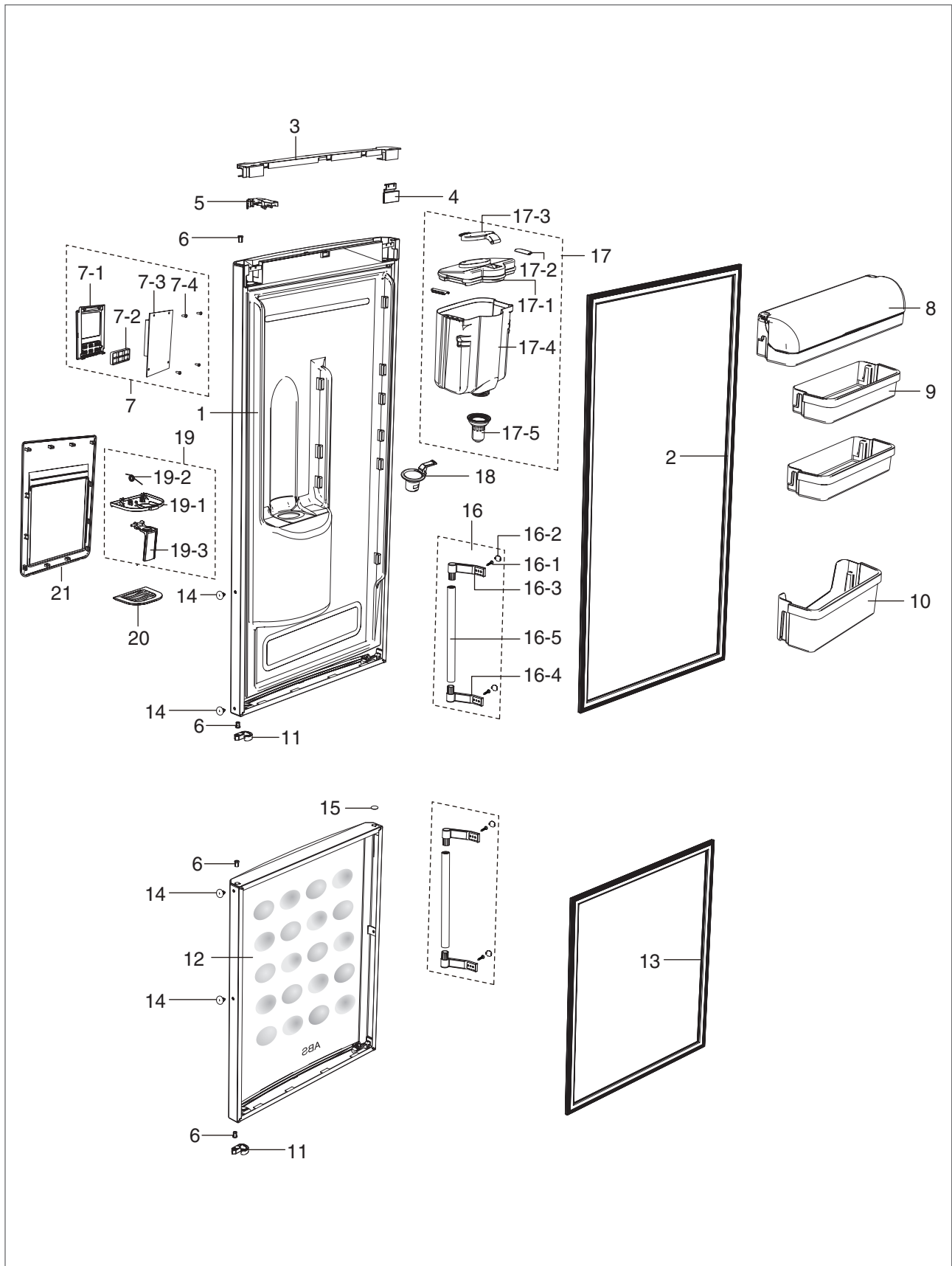
ILLUSTRATED PARTS CATALOG

■ Parts List of Door - LED MODEL

NO	CODE-NO	PART NAME	MODEL					COLOR	Quantity	SA/SNA	Remark
			RL44E	RL41H	RL41E	RL38H	RL38E				
12	DA91-02262D	ASSY DOOR FOAM FRE	●					RL****SW	1	SA	
	DA91-02262E		●				RL****TB				
	DA91-02262F			●	●			RL****US			
	DA91-02262G			●	●			RL****IS			
	DA91-02262H			●	●			RL****PS			
	DA91-02262J			●	●			RL****SW			
	DA91-02262K			●	●			RL****TB			
	DA91-02262L					●	●	RL****PS			
	DA91-02262M					●	●	RL****SW			
	DA91-02262N					●	●	RL****TB			
13	DA97-04098A	ASSY-GASKET DOOR FRE			●			ALL	1	SA	
14	DA67-00589B	CAP-HOLE DOOR		●	●			RL****US	8	SA	
	DA67-00589C				●		RL****IS				
	DA67-00589D				●		RL****TB				
	DA67-00589E				●		RL****PS				
15	DA67-01502A	CAP-HINGE HOLE		●	●			RL****US	1	SA	
	DA67-01502B				●		RL****IS				
	DA67-01502C				●		RL****TB				
	DA67-01502D				●		RL****PS				
16	DA97-03954A	ASSY HANDLE-INSTALL		●	●			RL****US	1	SA	
	DA97-03954B				●		RL****IS				
	DA97-03954C				●		RL****TB				
	DA97-03954D				●		RL****PS				
16-1	DA60-10108A	SCREW-HEX			●			ALL	4	SA	
16-2	DA67-01438A	CAP-SCREW HANDLE		●	●			RL****US	4	SA	
	DA67-01438B				●		RL****IS				
	DA67-01438C				●		RL****TB				
	DA67-01438D				●		RL****PS				
16-3	DA61-02774A	SUPPORT-HANDLE UPP		●	●			RL****US	2	SA	ABS BAR HANDLE
	DA61-02774D				●		RL****IS				
	DA61-02774B				●		RL****TB				
	DA61-02774C				●		RL****PS				
16-4	DA61-02775A	SUPPORT-HANDLE LOW		●	●			RL****US	2	SA	
	DA61-02775D				●		RL****IS				
	DA61-02775B				●		RL****TB				
	DA61-02775C				●		RL****PS				
16-5	DA64-01815A	HANDLE-BAR		●	●			RL****US	2	SA	
	DA64-01815B				●		RL****IS				
	DA64-01815C				●		RL****TB				
	DA64-01815D				●		RL****PS				

ILLUSTRATED PARTS CATALOG

7-4) Door - LED DISPENSER MODEL



ILLUSTRATED PARTS CATALOG

■ Parts List of Door - LED DISPENSER MODEL

NO	CODE-NO	PART NAME	MODEL		COLOR	Quantity	SA/SNA	Remark
			RL44W	RL41W				
1	DA91-02372B	ASSY DOOR FOAM REF	●		RL****PS	1	SA	
	DA91-02372C		●		RL****IS			
	DA91-02372D		●		RL****SW			
	DA91-02372E		●		RL****TB			
	DA91-02402B			●	RL****PS			
	DA91-02402C			●	RL****IS			
	DA91-02402D			●	RL****SW			
	DA91-02402E			●	RL****TB			
2	DA97-04097A	ASSY-GASKET DOOR REF	●		ALL	1	SA	
	DA97-04097B			●	ALL			
3	DA63-03045B	COVER-WIRE DOOR		●	RL****IS	1	SA	
	DA63-03045C			●	RL****TB			
	DA63-03045D			●	RL****PS			
4	DA67-01437B	CAP-SPACE DOOR		●	RL****IS	1	SA	
	DA67-01437C			●	RL****TB			
	DA67-01437D			●	RL****PS			
5	DA63-03030B	COVER-WIRE HINGE R		●	RL****IS	1	SA	
	DA63-03030C			●	RL****TB			
	DA63-03030D			●	RL****PS			
6	DA63-03046A	GROMMET-HINGE		●	ALL	4	SA	
7	DA97-04022E	ASSY COVER-CONTROL		●	RL****IS	1	SA	
	DA97-04022F			●	RL****PS			
	DA97-04022G			●	RL****TB			
	DA97-04022H			●	RL****SW			
	DA97-04022B			●	RL****PS			
7-1	DA97-04006E	ASSY COVER-CONTROL SUB		●	RL****IS	1	SA	
	DA97-04006F			●	RL****PS			
	DA97-04006G			●	RL****TB			
	DA97-04006H			●	RL****SW			
	DA97-04006F			●	RL****PS			
7-2	DA63-03047A	GASKET-KNOB CONTROL		●	ALL	1	SA	
7-3	DA41-00369A	PBA PANEL-LED		●	ALL	1	SA	
	DA41-00369F			●	RL41WCPS1/XTL			
7-4	6002-000466	SCREW-TAPPING		●	ALL	1	SA	
8	DA97-03880A	ASSY GUARD-DAIRY		●	ALL	1	SA	
9	DA63-03313A	GUARD-VARIETY		●	ALL	1	SA	
10	DA63-03312A	GUARD-BOTTLE		●	ALL	1	SA	
11	DA61-02773A	STOPPER-DOOR		●	ALL	1	SA	
12	DA91-02262B	ASSY DOOR FOAM FRE	●		RL****PS	1	SA	
	DA91-02262C		●		RL****IS			
	DA91-02262D		●		RL****SW			
	DA91-02262E		●		RL****TB			
	DA91-02262G			●	RL****PS			
	DA91-02262H			●	RL****IS			
	DA91-02262J			●	RL****SW			
	DA91-02262K			●	RL****TB			
13	DA97-04098A	ASSY-GASKET DOOR FRE		●	ALL	1	SA	
14	DA67-00589C	CAP-HOLE DOOR		●	RL****IS	3	SA	
	DA67-00589D			●	RL****TB			
	DA67-00589E			●	RL****PS			
15	DA67-01502B	CAP-HINGE HOLE		●	RL****SW	1	SA	

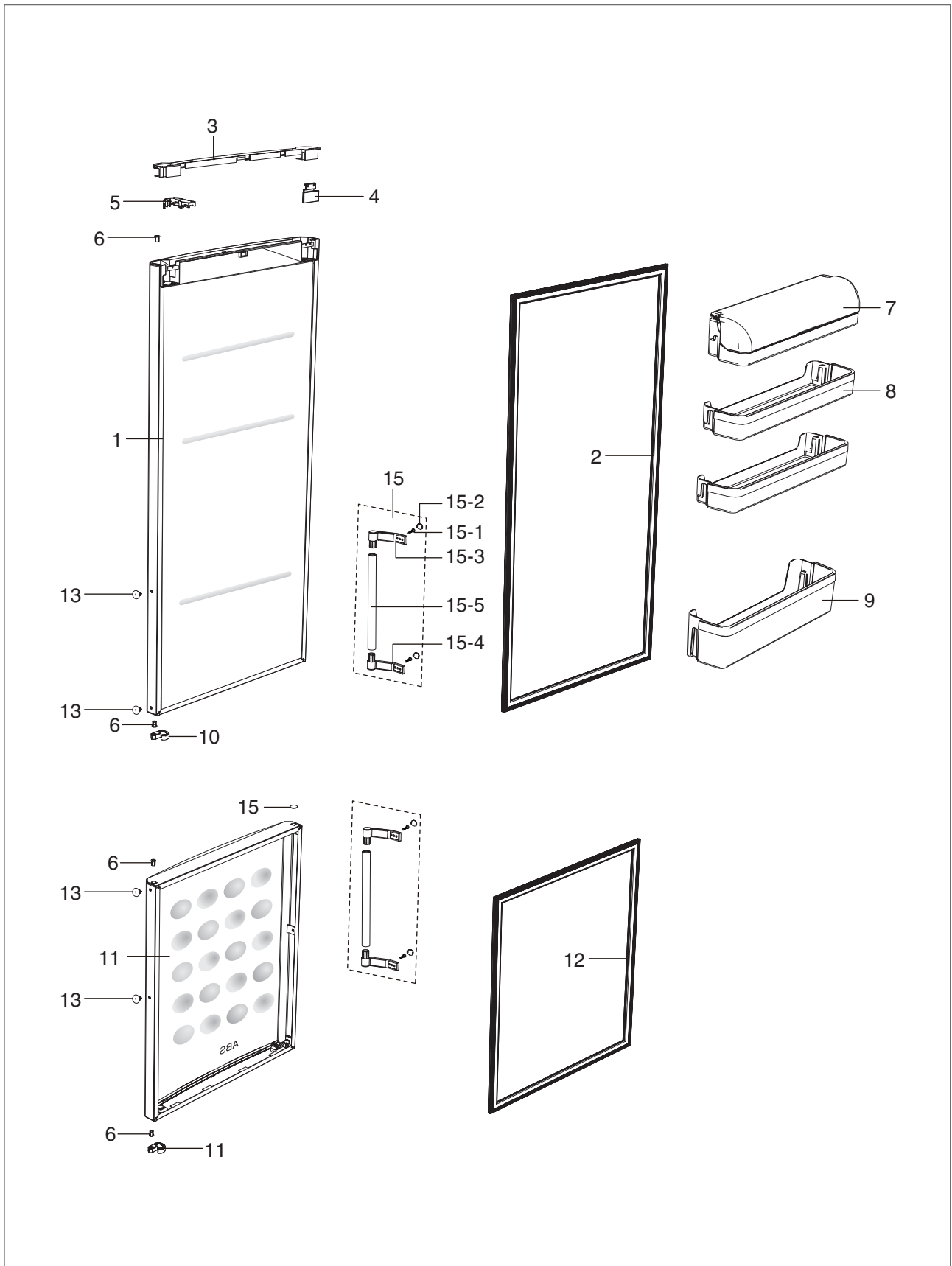
ILLUSTRATED PARTS CATALOG

■ Parts List of Door - LED DISPENSER MODEL

NO	CODE-NO	PART NAME	MODEL		COLOR	Quantity	SA/SNA	Remark
			RL44W	RL41W				
15	DA67-01502B	CAP-HINGE HOLE	●		RL****TB	1	SA	
	DA67-01502C		●		RL****PS			
	DA67-01502D		●		RL****SW			
16	DA97-03954A	ASSY HANDLE-INSTALL	●		RL****IS	1	SA	
	DA97-03954B		●		RL****TB			
	DA97-03954C		●		RL****PS			
	DA97-03954D		●		RL****SW			
16-1	DA60-10108A	SCREW-HEX	●		ALL	4	SA	
16-2	DA67-01438A	CAP-SCREW HANDLE	●		RL****IS	4	SA	
	DA67-01438B		●		RL****TB			
	DA67-01438C		●		RL****PS			
	DA67-01438D		●		RL****SW			
16-3	DA61-02774A	SUPPORT-HANDLE UP	●		RL****IS	2	SA	ABS BAR HANDLE
	DA61-02774D		●		RL****TB			
	DA61-02774B		●		RL****PS			
	DA61-02774C		●		RL****SW			
16-4	DA61-02775A	SUPPORT-HANDLE LOW	●		RL****IS	2	SA	
	DA61-02775D		●		RL****TB			
	DA61-02775B		●		RL****PS			
	DA61-02775C		●		RL****SW			
16-5	DA64-01815A	HANDLE-BAR	●		RL****IS	2	SA	
	DA64-01815B		●		RL****TB			
	DA64-01815C		●		RL****PS			
	DA64-01815D		●		RL****SW			
17	DA97-02005A	ASSY TANK WATER	●		ALL	1	SA	
17-1	DA63-00240B	COVER TANK-WATER	●		ALL	1	SA	
17-2	DA65-20004B	CLAMPER BAG-CLAMP TANK	●		ALL	2	SNA	
17-3	DA67-30216C	CAP WATER TANK-WATER	●		ALL	1	SA	
17-4	DA74-00051B	TANK WATER-WATER	●		ALL	1	SA	
17-5	DA97-00217D	ASSY-COCK,DISPENSER	●		ALL	1	SA	
18	DA71-20155C	ASSY-FIXER CASE	●		ALL	1	SA	
19	DA97-04575B	ASSY LEVER DISP	●		RL****PS	1	SA	
	DA97-04575C		●		RL****IS			
	DA97-04575D		●		RL****TB			
	DA97-04575D		●		RL****SW			
19-1	DA61-03041B	CASE-LEVER DISPENSER	●		RL****PS	1	SA	
	DA61-03041C		●		RL****IS			
	DA61-03041D		●		RL****TB			
19-2	DA61-20146A	SPRING ETC-LEVER	●		ALL	1	SA	
19-3	DA66-00410A	LEVER-DISPENSER	●		ALL	1	SA	
20	DA63-03307B	TRAY-DISPENSER	●		RL****PS	1	SA	
	DA63-03307C		●		RL****IS			
	DA63-03307D		●		RL****TB			
21	DA63-03306B	COVER DISPENSER	●		RL****PS	1	SA	
	DA63-03306C		●		RL****IS			
	DA63-03306E		●		RL****TB			

ILLUSTRATED PARTS CATALOG

7-4) Door - LED SEMI MODEL



ILLUSTRATED PARTS CATALOG

■ Parts List of Door - LED SEMI MODEL

NO	CODE-NO	PART NAME	MODEL			COLOR	Quantity	SA/SNA	Remark
			RL44S	RL41S	RL38S				
1	DA91-02263C	ASSY DOOR FOAM REF	●			RL****PS	1	SA	
	DA91-02263F		●			RL****SW			
	DA91-02326A			●		RL****PS			
	DA91-02326B			●		RL****IS			
	DA91-02326C			●		RL****SW			
	DA91-02329A				●	RL****PS			
	DA91-02329B				●	RL****SW			
2	DA97-04097A	ASSY-GASKET DOOR REF	●			ALL	1	SA	
	DA97-04097B			●		ALL			
	DA97-04097C				●	ALL			
3	DA63-03045B	COVER-WIRE DOOR		●		RL****IS	1	SA	
	DA63-03045C			●		RL****PS			
	DA63-03045D			●		RL****SW			
4	DA67-01437B	CAP-SPACE DOOR		●		RL****IS	1	SA	
	DA67-01437C			●		RL****PS			
	DA67-01437D			●		RL****SW			
5	DA63-03030B	COVER-WIRE HINGE R		●		RL****IS	1	SA	
	DA63-03030C			●		RL****PS			
	DA63-03030D			●		RL****SW			
6	DA63-03046A	GROMMET-HINGE		●		ALL	4	SA	
7	DA97-03880A	ASSY GUARD-DAIRY		●		ALL	1	SA	
8	DA63-03034A	GUARD-VARIETY		●		ALL	2	SA	
9	DA63-03033A	GUARD-BOTTLE		●		ALL	1	SA	
10	DA61-02773A	STOPPER-DOOR		●		ALL	1	SA	
11	DA91-02262C	ASSY DOOR FOAM FRE	●			RL****PS	1	SA	
	DA91-02262D		●			RL****SW			
	DA91-02325A			●		RL****PS			
	DA91-02325B			●		RL****IS			
	DA91-02325C			●		RL****SW			
	DA91-02325D				●	RL****PS			
	DA91-02325E				●	RL****SW			
12	DA97-04098A	ASSY-GASKET DOOR FRE		●		ALL	1	SA	
13	DA67-00589C	CAP-HOLE DOOR		●		RL****IS	8	SA	
	DA67-00589D			●		RL****PS			
	DA67-00589E			●		RL****SW			
14	DA67-01502C	CAP-HINGE HOLE	●			RL****PS	1	SA	
	DA67-01502D		●			RL****SW			
	DA67-01502E			●	●	RL****IS			
	DA67-01502F			●	●	RL****PS			
	DA67-01502G					RL****SW			
15	DA97-03954C	ASSY HANDLE-INSTALL	●			RL****PS	1	SA	
	DA97-03954D		●			RL****SW			
15-1	DA60-10108A	SCREW-HEX	●			ALL	4	SA	
15-2	DA67-01438C	CAP-SCREW HANDLE	●			RL****TB/PS	4	SA	
	DA67-01438D		●			RL****SW			
15-3	DA61-02774B	SUPPORT-HANDLE UP	●			RL****TB/PS	2	SA	
	DA61-02774C		●			RL****SW			
15-4	DA61-02775B	SUPPORT-HANDLE LOW	●			RL****TB/PS	2	SA	
	DA61-02775C		●			RL****SW			
15-5	DA64-01815C	HANDLE-BAR	●			RL****PS	2	SA	
	DA64-01815D		●			RL****SW			