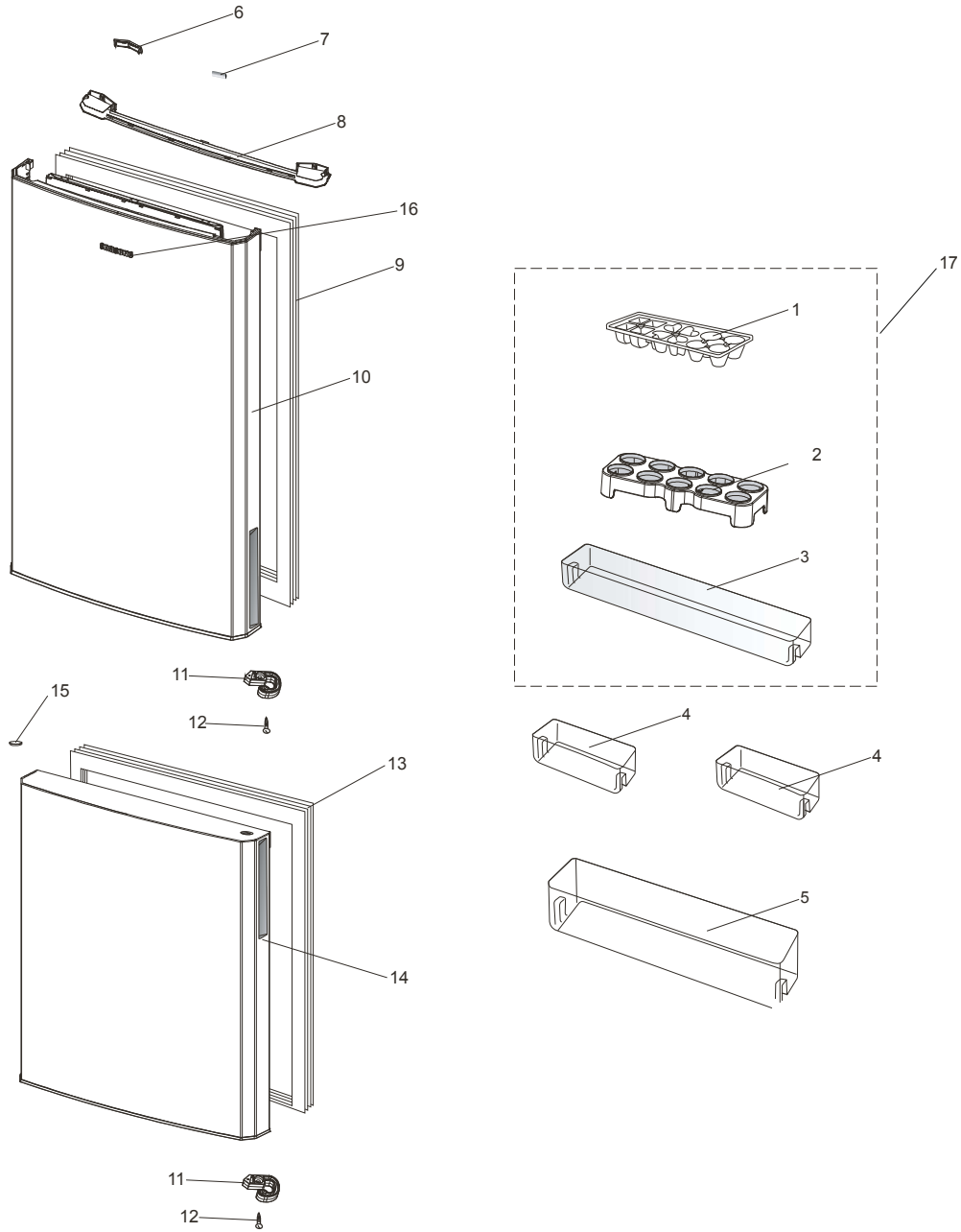


# EXPLODED VIEW PART LIST

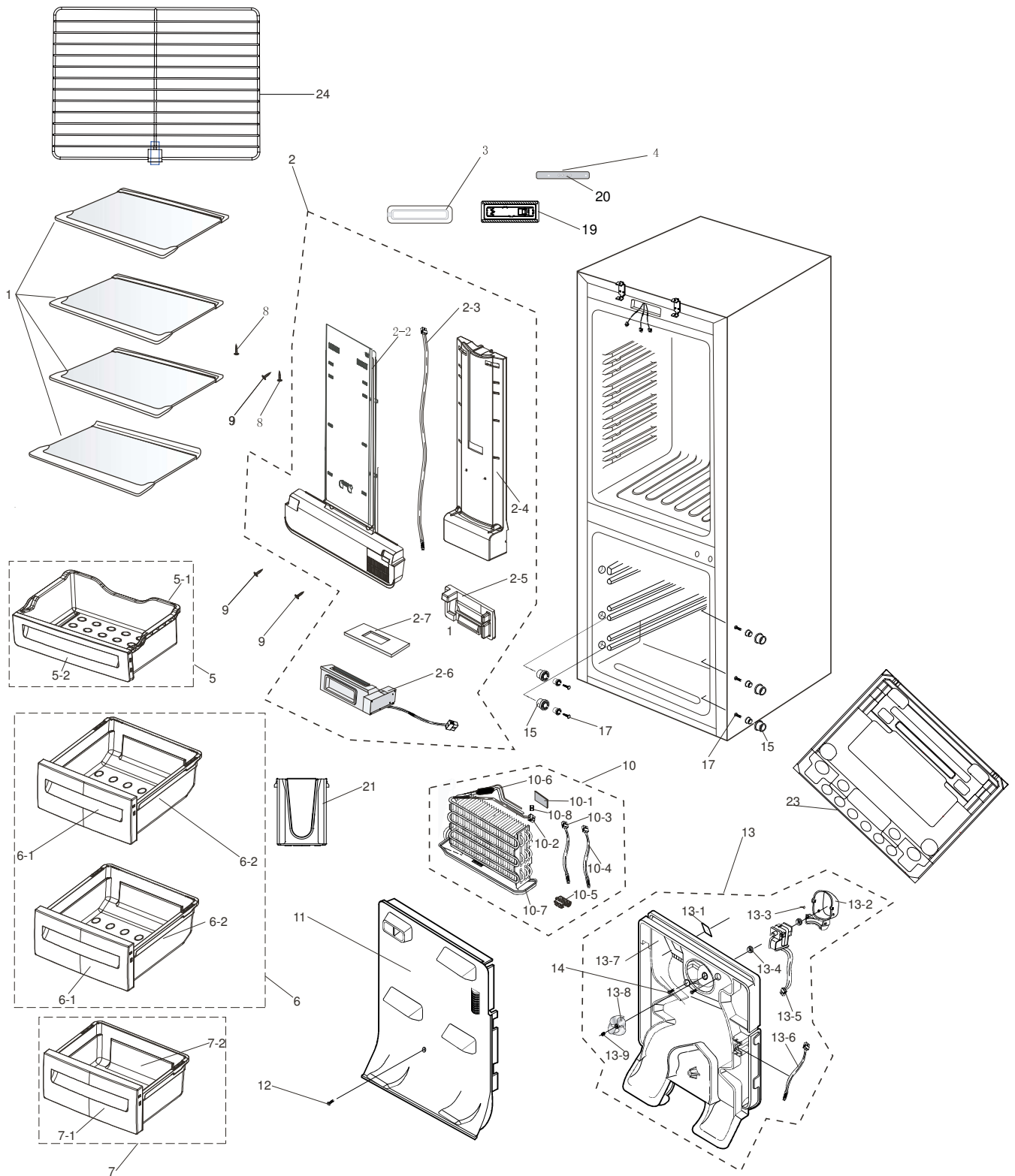
## Door





# EXPLODED VIEW PART LIST

## Fridge & Freeze



# EXPLODED VIEW PART LIST

## • Parts List of Fridge & Freeze

NO	CODE NO	PART NAME	Specification	Quantity	SA/SNA	SVC NO
1	DA97-05405B	ASSY SHELF REF	W07, GLASS+PP	4	SA	A0185
2	DA97-10600A	ASSY COVER MULTI	W07, RL34	1	SA	0
2-2	DA63-05681A	COVER-MULTI REF	W07, RL34, PP, SC-03084R, M1	1	SA	A0689
2-3	DA32-00012J	SENSOR TEMP	DKST1329, W07, -, -, -, -, REF, -, -	1	SA	A1018
2-4	DA62-01571A	INSULATION-MULTI REF A	W07, FOAM+PS	1	SNA	0
2-5	DA62-01570A	INSULATION-MULTI REF B	W07, FOAM+PS	1	SNA	0
2-6	DA31-00218B	MOTOR DC-DAMPER	-, -, -, DC12V, Max60mA, -, -, -	1	SA	G0242
2-7	DA62-01637C	SEAL-COVER MULTI LOW	W07, AOPUSAILUO, QJC-	1	SNA	0
3	DA63-05460B	COVER LAMP	SUPER STAR, GPPS, W35, L145, tran	1	SA	A0280
4	DA41-00675J	ASSY PCB KIT	110*20mm, CEM-1	1	SA	Z1144
5	DA97-05406A	ASSY TRAY-VEG	W07, GPPS+PP, 1mm	1	SA	A0018
5-1	DA63-03800A	TRAY-VEG	W07, PP, M1600, -, -, -, -, W91527, -	1	SNA	A0201
5-2	DA63-03802A	COVER-TRAY VEG	W07, GPPS, PH88, -, -, -, -, -	1	SNA	A0197
6	DA97-05407B	ASSY TRAY-UP	W07, -, -, -, -, GPPS+PP, FILM	2	SA	A0015
6-1	DA63-03801A	COVER-TRAY FRE	W07, GPPS	1	SNA	0
6-2	DA63-03797A	TRAY FRE-UPP	W07, PP, M1600, -, -, -, -, W91527	1	SNA	Z1172
7	DA97-05408B	ASSY TRAY-LOW	W07, -, -, -, -, GPPS+PP, FILM	1	SA	A0013
7-1	DA63-03801A	COVER-TRAY FRE	W07, GPPS	1	SNA	0
7-2	DA63-03796A	TRAY FRE-LOW	W07, PP, M1600, -, -, -, -, W91527	1	SNA	A0216
8	DA60-10104C	SCREW-TAPPING	PH, +, -, PI5, L13, -, SWRCH18A,	1	SNA	G0412
9	DA60-10104C	SCREW-TAPPING	PH, +, -, PI5, L13, -, SWRCH18A,	1	SNA	G0412
10	DA96-00401P	ASSY EVAP-FRE	W07, 240V, 50Hz, PL	1	SA	A0163
10-1	DA72-00088A	SEAL-BUTYL RUBBER	C-P, BUTYL-RUBBER, -, T3,	1	SNA	0
10-2	DA47-00263F	HEATER DEFROST	W07, 250W, 240V	1	SA	A0753
10-3	DA47-00138F	THERMO FUSE-ASSY	W07-PJT, G4A01, 77C, 250V,	1	SC	A1008
10-4	DA32-00012K	SENSOR TEMP	DKST1329, W07, -, -, -, -, REF, -, -	1	SA	A1018
10-5	DA61-03716A	FIXER-SENSOR EVAP	W07, PP, -, -, -	1	SNA	M9009
10-6	DA59-00364A	EVAP FRE	W07-PJT, -, AL, -, -, -, -, -	1	SNA	A0742
10-7	DA67-00979B	DRAIN EVAP-FRE	W07-PJT, GALVA, T0.35	1	SNA	0
10-8	DA63-40237G	GROMMET-DISCHARGE	ID3.0 OD20 H20, NBR, BLK	1	SNA	Z1132
11	DA97-05485D	ASSY COVER EVAP-FRONT	W07, IMPROVE ENERGY	1	SA	A0661
12	DA60-10104C	SCREW-TAPPING	PH, +, -, PI5, L13, -, SWRCH18A,	1	SNA	G0412
13	DA97-05993Q	ASSY COVER EVAP-REAR	W07, 240V	1	SA	A0667
13-1	DA62-01090B	SEAL DUCT	RL33, EPDM, BLACK, T8, W93, L95, -	1	SNA	0
13-2	DA61-01441A	CASE-MOTOR	BCD-290, PP, -, -, -, NTR, -	1	SNA	0
13-3	DA63-40167A	GROMMET-COVER CHIL	SILICON, L16, WHITE	1	SNA	M2002
13-4	DA63-40115A	GROMMET-MOTOR	L20, SILICON-RUBBER, -, -, -, -	2	SNA	A0218
13-5	DA31-00197F	FAN-MOTOR AC	RL34E, PBT+GF5.7W, LIUSHENG,	1	SNA	Z1139
13-6	DA32-00012L	SENSOR TEMP	DKST1329, W07, -, -, -, -, REF, -, -	1	SA	A1018
13-7	DA63-03787B	COVER EVAP-REAR	W07, PP, NTR, IMPROVE ENERG	1	SNA	G0236
13-8	DA31-00019A	FAN-PROPELLER	-, SR-32, 35, NTR, -, -, -, -	1	SA	Z1138
13-9	DA61-20128A	SPRING ETC-FAN	STS304, PI8.8, ID7.8, OD9.8,	1	SNA	A0768
14	DA60-10104C	SCREW-TAPPING	PH, +, -, PI5, L13, -, SWRCH18A,	1	SNA	G0412
15	DA66-00825A	ROLLER-TRAY	W07, POM	6	SA	Z1140
17	DA60-10130B	SCREW-TAPPING	PH, +, -, PI5, L13, -, SWRCH18A,	5	SNA	G0412
19	DA97-08671B	ASSY CASE LAMP	CC-PJT, ASSY NTR	1	SA	A0189



