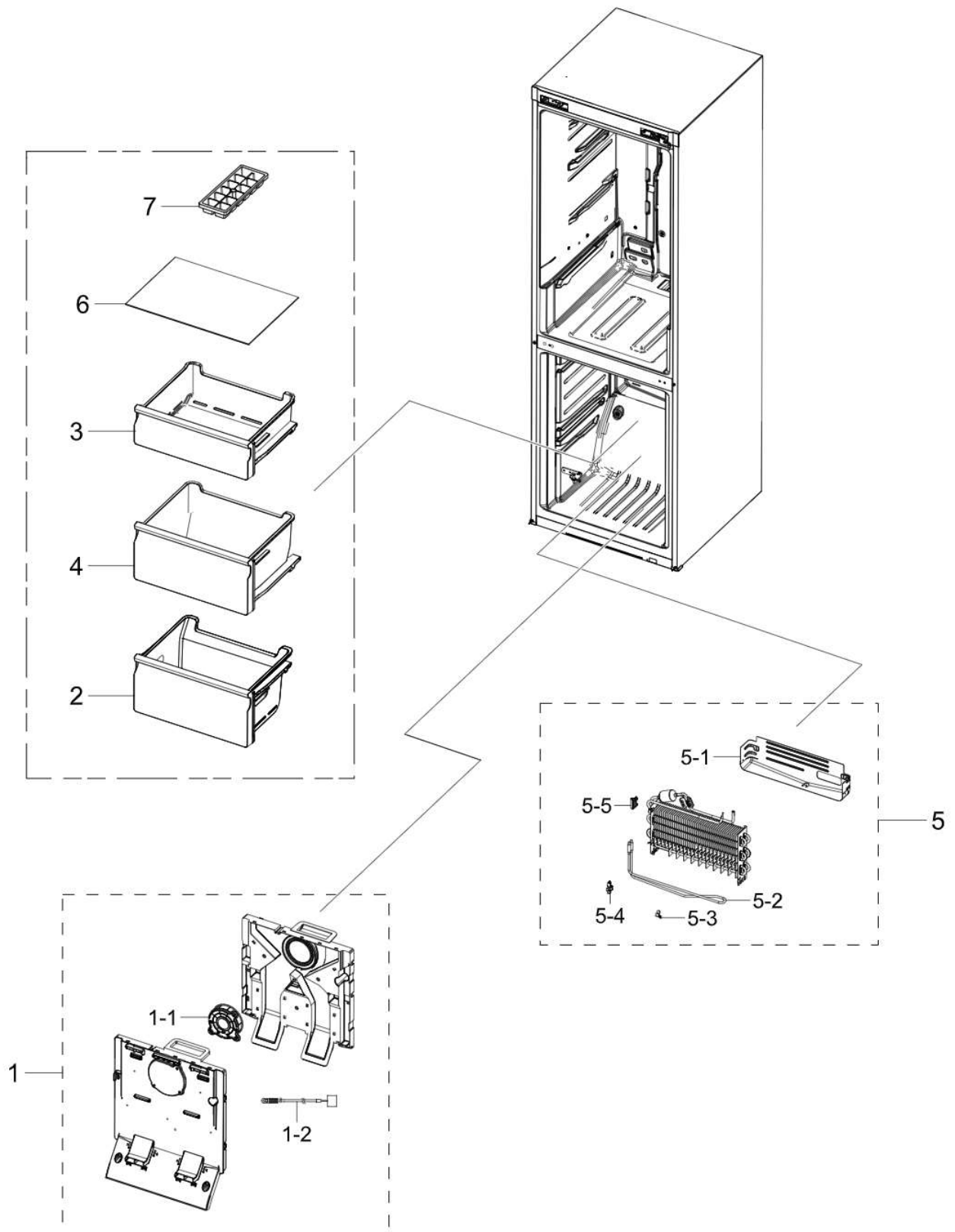


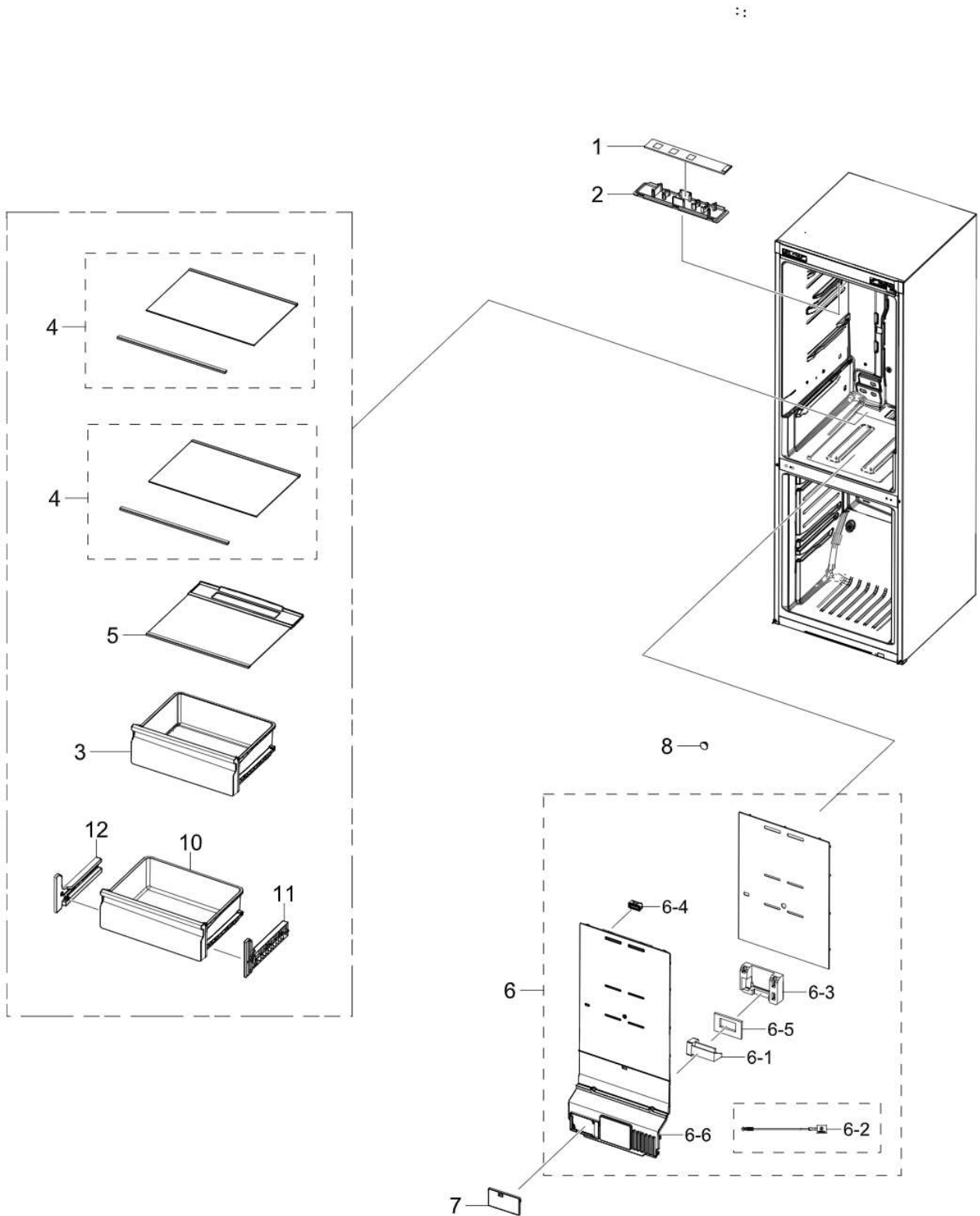
1. Freezer

Exploded View



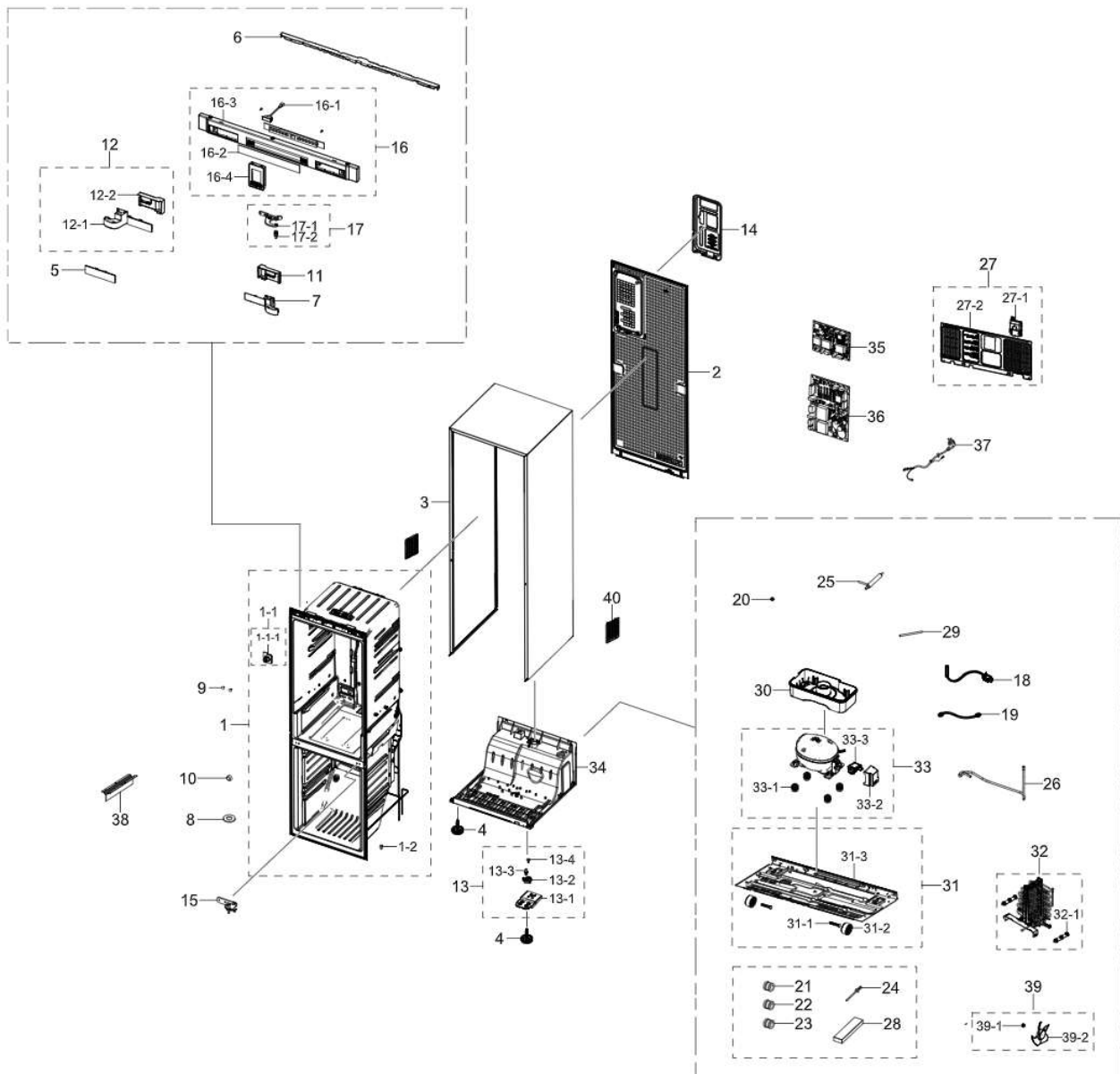
2. Refrigerator

Exploded View



3. Cabinet

Exploded View

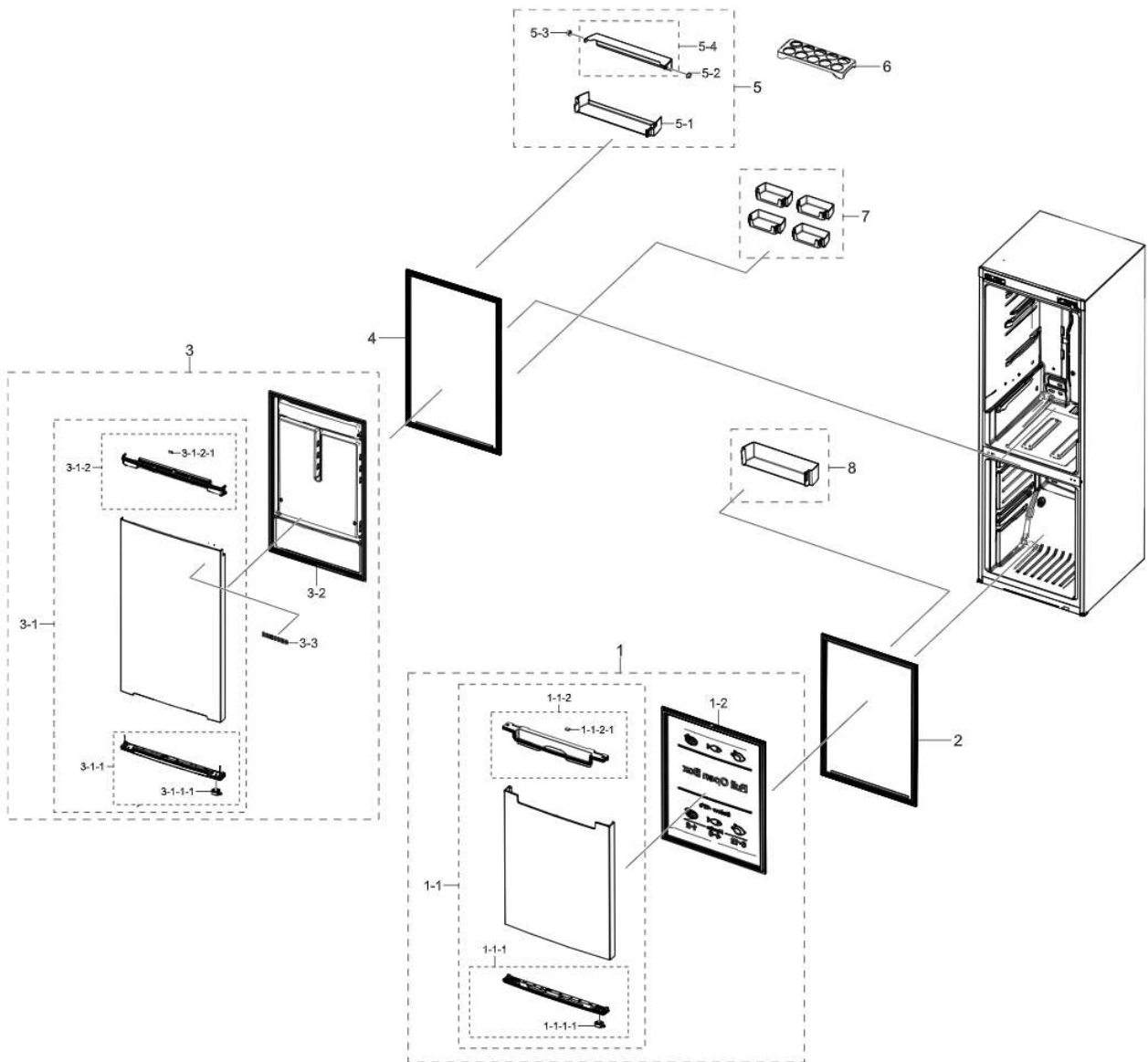


Parts List

No.	Lvl.	Loc.	Material Code	Description & Specification	SNA	Qty.
1	2	A0137	DA94-02022S	ASSY LINER; RB5000J, A++/mono	SNA	1
1-1	3		DA97-19607A	ASSY GROMMET; RH9000M,Assy	SNA	4
1-1-1	4		DA61-06328A	SEAL CUTT SPONGE; RH9000M,PU FOAM,Black,T	SNA	4
1-2	3		DA67-04566A	CAP-HOSE DRAIN; 3050 BMF,NBR,BLACK,RUBBER	SA	1
2	2		DA97-15446A	ASSY CABI FRAME-REAR; RB5000J,A++	SNA	1

4. Door

Exploded View



Parts List

No.	Lvl.	Loc.	Material Code	Description & Specification	SNA	Qty.
1	2	M0063	DA91-04782B	ASSY DOOR FOAM-FRE; RB37,SA,RECES,VIP	SA	1
1-1	3		DA97-15441G	ASSY PLATE DOOR-FRE; RB5000J / VIP,SA,REC	SNA	1
1-1-1	4		DA97-13583F	ASSY CAP DOOR-LOW; 3050 BMF,BLACK,FRE	SNA	1
1-1-1-1	5		DA66-01011B	LEVER-AUTO CLOSE; 3050PJ,POM,EBONY BLACK,	SA	1
1-1-2	4		DA97-13584A	ASSY CAP DOOR-FRE UPP; 3050,BMF,INOX GRAY	SNA	1