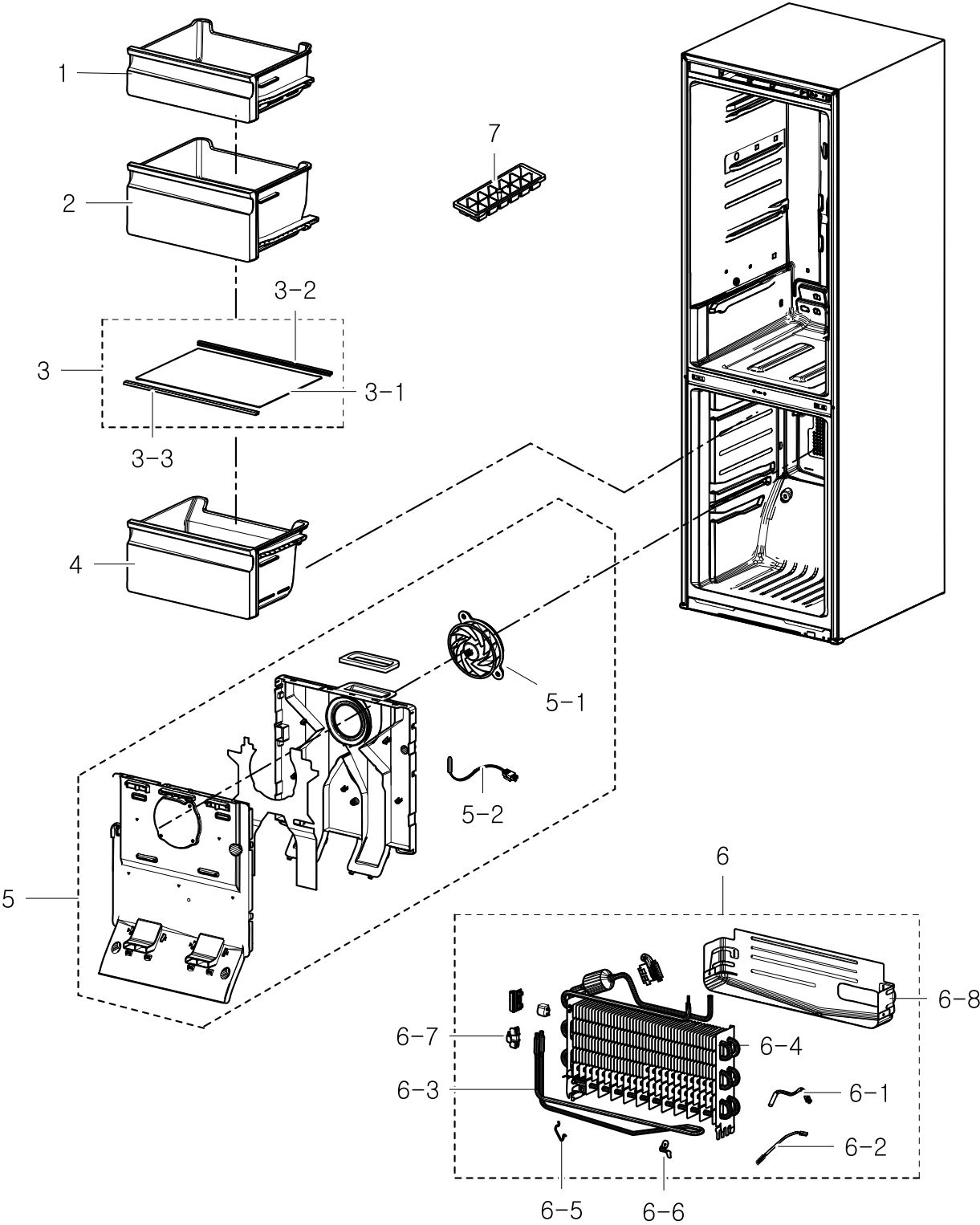


# 1. Freezer

## Exploded View

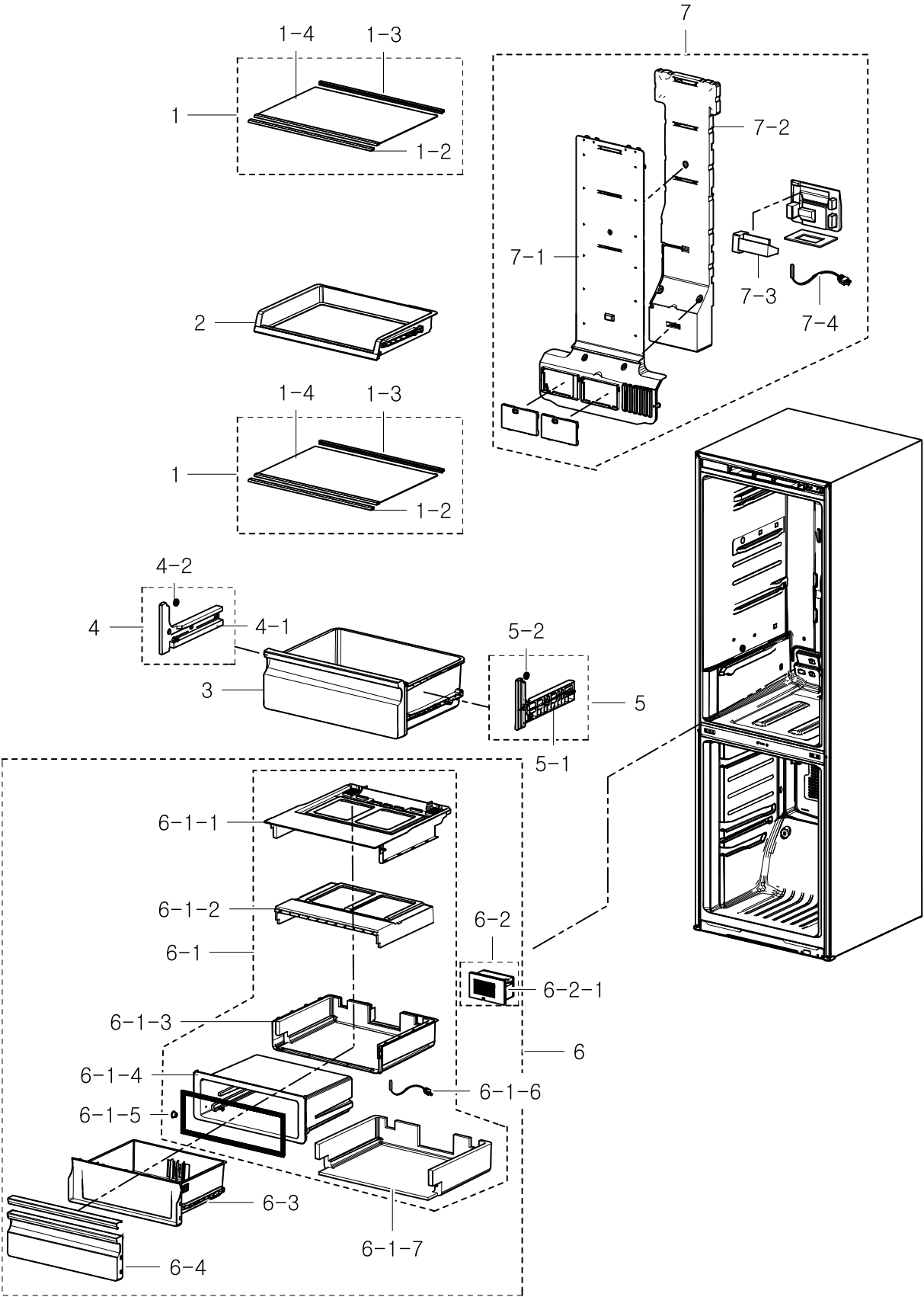


## Parts List

| No. | Lvl. | Loc.  | Material Code | Description & Specification                  | SNA | Qty. |
|-----|------|-------|---------------|--|-----|------|
| 1   | 2    | M0121 | DA97-13480A   | ASSY TRAY-FRE UPP; 3050,W479.1,L394.3        | SA  | 1    |
| 2   | 2    | G0268 | DA97-13472A   | ASSY TRAY-FRE MID; 3050,W466.2,H227.0        | SA  | 1    |
| 3   | 2    |       | DA97-13502E   | ASSY SHELF GLASS-FRE; RL31/29,COOL<br>WHITE  | SA  | 1    |
| 3-1 | 3    | A0720 | DA67-03645N   | GLASS-SHELF FRE; 3.2,RL310/290,TEMPERED<br>G | SNA | 1    |
| 3-2 | 3    |       | DA64-04395D   | TRIM SHELF-REAR FRE;<br>RL31/29,HIPS,HIPS+SO | SNA | 1    |
| 3-3 | 3    |       | DA64-04392A   | TRIM SHELF-FRONT;<br>RT320,HIPS,S834S1,COOL  | SNA | 2    |
| 4   | 2    | G0267 | DA97-13475A   | ASSY TRAY-FRE LOW; 3050,W466.2               | SA  | 1    |
| 5   | 2    | M0303 | DA97-13570A   | ASSY COVER EVAP-FRE; 3050,NATURAL            | SA  | 1    |
| 5-1 | 3    |       | DA31-00287B   | MOTOR BLDC-FAN;<br>ARES2120RA,18704%,12V,2   | SA  | 1    |
| 5-2 | 3    | A1018 | DA32-10105X   | SENSOR TEMP; PX-41C,QUEEN<br>PJT,-10,5V,F-SE | SA  | 1    |
| 6   | 2    | A0163 | DA96-01009C   | ASSY EVAP-FRE; 3050-BMF                      | SA  | 1    |
| 6-1 | 3    | A0696 | DA32-00006D   | SENSOR TEMP-F DEF SENSOR;<br>PX-41C,502AT-2, | SA  | 1    |
| 6-2 | 3    | A1008 | DA47-00301D   | THERMO FUSE-ASSY;<br>ARAM,250V,10A,109~110   | SNA | 1    |
| 6-3 | 3    | A0921 | DA47-00460A   | HEATER METAL SHEATH; AC230V,3050-PJT<br>RB31 | SA  | 1    |
| 6-4 | 3    | A0742 | DA59-00555A   | EVAP FRE; FIN TUBE,AL,3050-PJT               | SNA | 1    |
| 6-5 | 3    |       | DA61-02526A   | FIXER-EVAP FRE,SUB; NEXT,AL,2.0,-,-          | SA  | 1    |
| 6-6 | 3    | M9010 | DA61-03644A   | PLATE-EVAP HEATER; AW-PJT,AL,T0.7,-,-,-      | SA  | 1    |
| 6-7 | 3    | G0205 | DA61-07410A   | FIXER-HEATER FRE; NW2,PP,NTR,V0              | SA  | 1    |
| 6-8 | 3    | A0754 | DA61-08936A   | PLATE-DRAIN; 3050,GI-SGCC,-,T0.3             | SA  | 1    |
| 7   | 2    | A0582 | DA67-40146B   | TRAY-ICE; SR-1500,NTR,PE,-,-,-,-,-           | SA  | 1    |

# 2. Refrigerator

## Exploded View



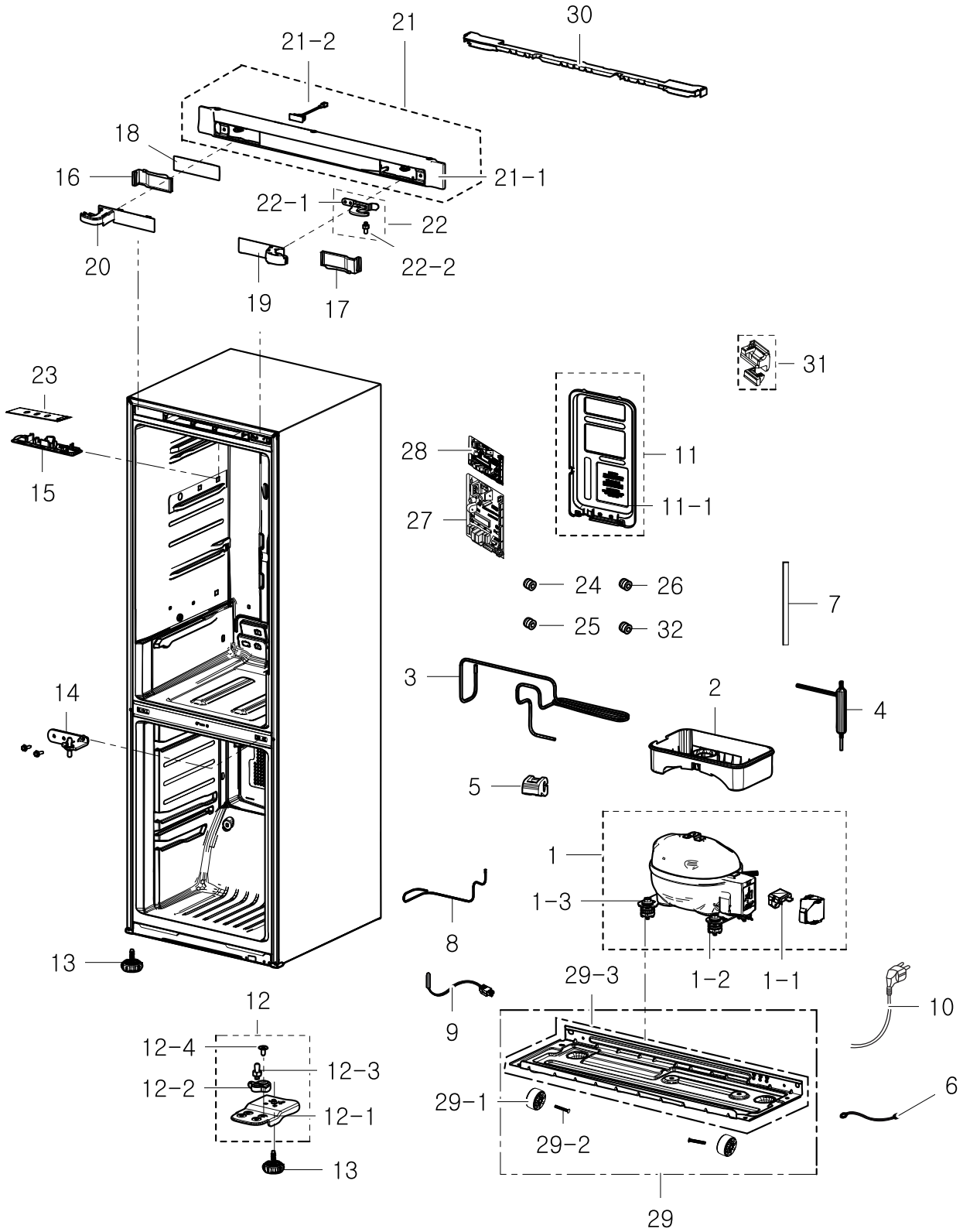
**Parts List**

| No.   | Lvl. | Loc.  | Material Code | Description & Specification               | SNA | Qty. |
|-------|------|-------|---------------|---|-----|------|
| 1     | 2    |       | DA97-13502D   | ASSY SHELF GLASS-REF; RL31/29,COOL WHITE  | SA  | 2    |
| 1-2   | 3    |       | DA64-04392A   | TRIM SHELF-FRONT; RT320,HIPS,S834S1,COOL  | SNA | 2    |
| 1-3   | 3    |       | DA64-04395A   | TRIM SHELF-REAR; RT320,HIPS,S834S1,COOL W | SNA | 2    |
| 1-4   | 3    | A0720 | DA67-03645K   | GLASS-SHELF REF; 3.2,RL310/290,TEMPERED G | SNA | 2    |
| 2     | 2    |       | DA97-13616F   | ASSY SHELF SLIDE; 3050(RL310)             | SA  | 1    |
| 3     | 2    | A0730 | DA97-13473A   | ASSY CASE-VEG UPP; 3050,W479.2,L356.1     | SA  | 1    |
| 4     | 2    | M0110 | DA97-13599A   | ASSY RAIL-VEG L; 3050_BMF                 | SA  | 1    |
| 4-1   | 3    |       | DA61-09032A   | RAIL-VEG L; 3050 LMF,HIPS,COOL-WHITE      | SNA | 1    |
| 4-2   | 3    |       | DA66-10104A   | ROLLER-FRE; POM,-,-,D22,-,-,              | SC  | 1    |
| 5     | 2    | M0111 | DA97-13598A   | ASSY RAIL-VEG R; 3050_BMF                 | SA  | 1    |
| 5-1   | 3    |       | DA61-09037A   | RAIL-VEG R; 3050 LMF,HIPS,COOL-WHITE      | SNA | 1    |
| 5-2   | 3    |       | DA66-10104A   | ROLLER-FRE; POM,-,-,D22,-,-,              | SC  | 1    |
| 6     | 2    |       | DA97-13533B   | ASSY CONVERTIBLE; 3050,NO HOT STAMPING    | SA  | 1    |
| 6-1   | 3    | M0403 | DA97-13466B   | ASSY CASE CONVERTIBLE; 3050_BMF,NO HOT ST | SA  | 1    |
| 6-1-1 | 5    | G0246 | DA61-09036A   | CASE CONVERTIBLE-C; 3050,HIPS,COOL WHITE, | SA  | 1    |
| 6-1-2 | 4    | G0248 | DA62-04088A   | INSULATION-CONV HIGH; 3050(BMF),FOAM-PS,T | SA  | 1    |
| 6-1-3 | 4    | G0245 | DA61-09035A   | CASE-CONVERTIBLE B; 3050(BMF),PP,NATURAL, | SA  | 1    |
| 6-1-4 | 4    | G0244 | DA61-09034A   | CASE CONVERTIBLE-A; 3050,PP,COOL WHITE,HB | SA  | 1    |
| 6-1-5 | 4    | G0249 | DA66-00151A   | ROLLER-FRONT; A-TOP,POM,16,-,WHT,-,CONV   | SA  | 2    |
| 6-1-6 | 4    | A1018 | DA32-00011X   | SENSOR TEMP; PX-41C/502AT,MT-PJT,-40~110  | SA  | 1    |
| 6-1-7 | 4    | G0247 | DA62-04089A   | INSULATION-CONV LOW; 3050(BMF),FOAM-PS,T9 | SA  | 1    |
| 6-2   | 3    |       | DA97-04106D   | ASSY DAMPER-CONVERTIBLE; CORE-PJT(PRIUM)  | SNA | 1    |
| 6-2-1 | 4    | G0242 | DA31-00071D   | MOTOR DC-DAMPER; DC 12V,MAX 60mA          | SA  | 1    |
| 6-3   | 4    | G0078 | DA63-07429A   | TRAY CONVERTIBLE; 3050,GPPS,TP BLUE,HB,16 | SA  | 1    |
| 6-4   | 5    | G0084 | DA63-07430A   | COVER TRAY-CONVERTIBLE; 3050,GPPS,HB,TP B | SNA | 1    |
| 7     | 2    | G0239 | DA97-13715A   | ASSY COVER MULTI-REF; 3050_BMF,RB31, CONV | SA  | 1    |

| No. | Lvl. | Loc.  | Material Code | Description & Specification                   | SNA | Qty. |
|-----|------|-------|---------------|---|-----|------|
| 7-1 | 3    | A0689 | DA63-07480A   | COVER-MULTI REF; 3050_BMF,PP,COOL<br>WHITE(S) | SNA | 1    |
| 7-2 | 3    |       | DA62-04188A   | INSULATION-MULTI REF A;<br>3050_BMF,FOAM-PS,  | SNA | 1    |
| 7-3 | 3    | G0242 | DA31-00043F   | MOTOR DC-DAMPER; -,CORE-PJT,Max<br>60mA,-,-,  | SA  | 1    |
| 7-4 | 3    | Z2169 | DA32-00006N   | SENSOR TEMP-ASSY;<br>PX41C/502AT,TGV,-40~110  | SC  | 1    |

### 3. cabinet

#### Exploded View



## Parts List

| No.  | Lvl. | Loc.  | Material Code  | Description & Specification   | SNA | Qty. |
|------|------|-------|----------------|---|-----|------|
| 1    | 2    |       | MSV488AL1R/TT1 | COMPRESSOR,BLDC<br>IPM,8.82CC,115/220V,STAI;<br>COMPRESSOR,BLDC<br>IPM,8.82CC,115/220V,STAI |     | 1    |
| 1-1  | 3    | A0575 | DA34-00004B    | RELAY PROTECTOR O/L;<br>BK190GL2C,S/T_11.4A,  | SNA | 1    |
| 1-2  | 3    | Z1112 | DA63-02617A    | GROMMET COMP;<br>USP05,EPDM,OD27.0,BLACK  | SNA | 4    |
| 1-3  | 3    | A0564 | DA60-20008A    | BOLT-HEX; SWCH45K, WHITE,ZPC  | SNA | 4    |
| 2    | 2    | A0749 | DA97-13658A    | ASSY TRAY-DRAIN WATER;<br>3050_LMF(RB29/31),  | SA  | 1    |
| 3    | 2    |       | DA97-13649A    | ASSY PIPE IMMERSING; 3050_LMF,RL29,31   | SNA | 1    |
| 4    | 2    | A0669 | DA62-04309C    | DRYER; C1220T,6g,L118,Outlet ID2.0  | SA  | 1    |
| 5    | 2    |       | DA63-07475A    | GROMMET-IMMERSION PIPE D;<br>3050_LMF,NBR,20  | SA  | 1    |
| 6    | 2    | A0562 | DA39-20389A    | WIRE HARNESS-EARTH;<br>Green/Yellow,ST710489  | SA  | 1    |
| 7    | 2    | M0203 | DA62-02982C    | PIPE-CONNECT DISC A; C1220T-1/2H,OD6.35,L   | SA  | 1    |
| 8    | 2    | M0016 | DA62-03095A    | PIPE-CONNECT SUCTION;<br>GRANDCRU,CU,NATURAL  | SA  | 1    |
| 9    | 2    | A1018 | DA32-10105F    | SENSOR TEMP;<br>502AT,ACE,-10~35,5V,5KOHM,90  | SA  | 1    |
| 10   | 2    | A0273 | 3903-000793    | CBF-POWER CORD;<br>AT,EUROPE,UCP-2,250V/16A,  | SA  | 1    |
| 11   | 2    | M0306 | DA97-13562A    | ASSY COVER-PCB PANEL; 290, 310,GI,3050  | SA  | 1    |
| 11-1 | 3    |       | DA63-07420A    | COVER-PCB PANEL; BMF,GI-SGCC,T0.5,3050  | SA  | 1    |
| 12   | 2    | A0515 | DA97-13557B    | ASSY HINGE LOW; 3050(BMF)   | SA  | 1    |
| 12-1 | 3    | A0247 | DA61-08990A    | HINGE-LOW; 3050PJ,PO-SPHC,T3.0,LMF  | SA  | 1    |
| 12-2 | 3    | A0516 | DA61-08991B    | GUIDE-AUTO CLOSE;<br>3050PJ,PA66,HB,HG-0760G  | SA  | 1    |
| 12-3 | 3    | A0518 | DA66-00385A    | SHAFT-HINGE;<br>CORE,SWCH10A,-,OD6,-,-,ZPC3(  | SA  | 1    |
| 12-4 | 3    | A0848 | DA81-01532A    | SCREW-MACHINE;<br>CH,+,M5,L12,ZPC2(WHT),SWRC  | SA  | 1    |
| 13   | 2    | G0201 | DA61-07546A    | LEG; GRAND<br>CRU-PJT,PP,NTR,BOLT:M8,50.5mm   | SA  | 2    |
| 14   | 2    | A0513 | DA97-13564A    | ASSY HINGE MID; 3050_BMF  | SA  | 1    |
| 15   | 2    | A0490 | DA63-07368A    | COVER-LAMP;<br>3050,GPPS,T2.0,TRANSFANRENCY   | SA  | 1    |
| 16   | 2    |       | DA67-03647A    | CAP SPACE-DOOR R;<br>3050,ABS,HB,HG-0760GP,I  | SA  | 1    |
| 17   | 2    |       | DA67-03636A    | CAP SPACE-DOOR L;<br>3050,ABS,HB,HG-0760GP,I  | SA  | 1    |
| 18   | 2    |       | DA61-08932A    | CAP CONTROL-PANEL;<br>3050,ABS,HB,HG-0760GP,  | SA  | 1    |

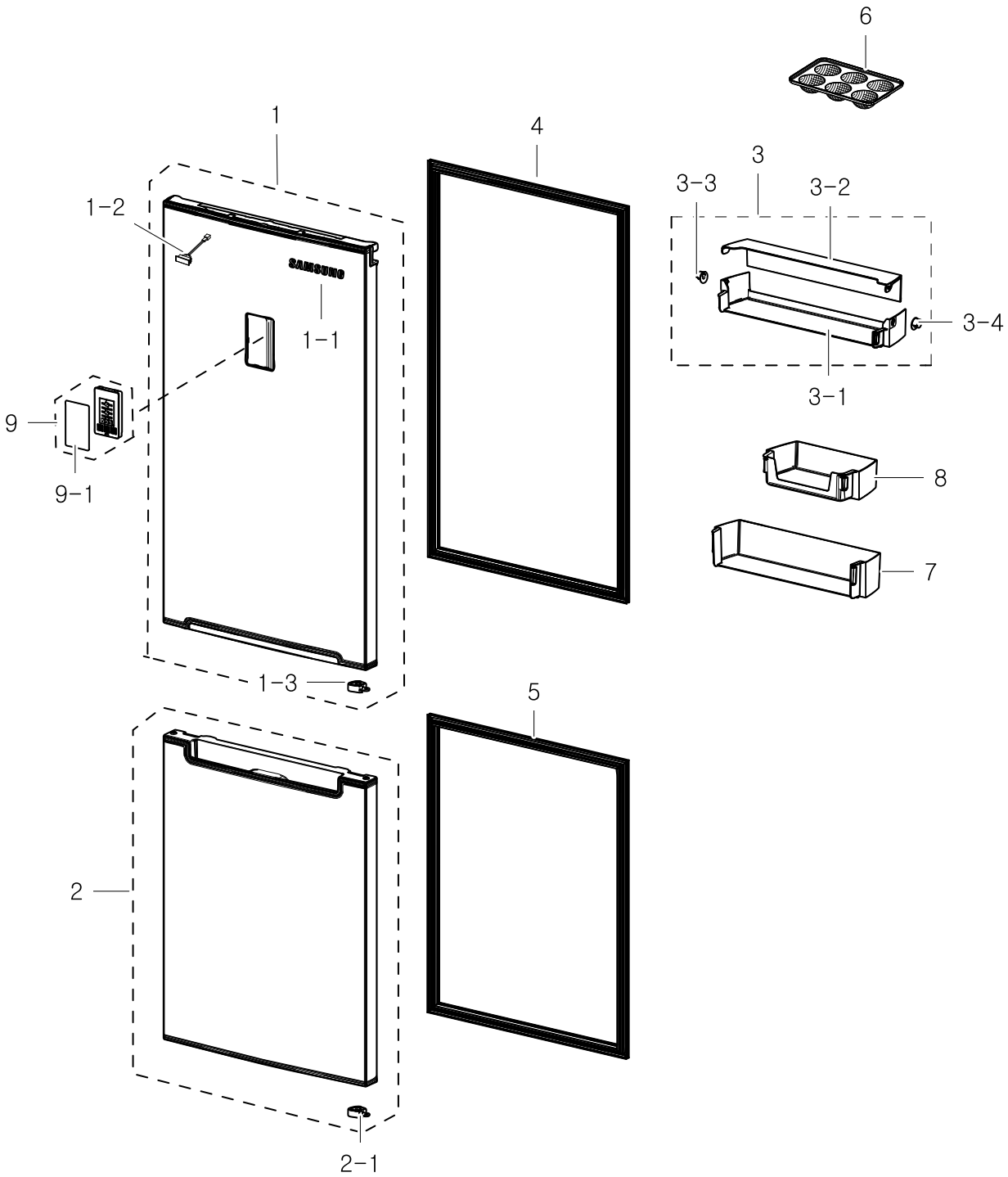
## Exploded Views and Parts List

| No.  | Lvl. | Loc.  | Material Code | Description & Specification                  | SNA | Qty. |
|------|------|-------|---------------|--|-----|------|
| 19   | 2    | G0213 | DA63-07384A   | COVER WIRE-HINGE R; 3050,ABS,HB,INOX GRAY    | SA  | 1    |
| 20   | 2    | G0214 | DA63-07385A   | COVER WIRE-HINGE L; 3050,ABS,HB,INOX GRAY    | SA  | 1    |
| 21   | 2    | G0022 | DA97-13615A   | ASSY COVER CONTROL-PANEL;<br>3050PJT,ASSY,IN | SA  | 1    |
| 21-1 | 3    | A0506 | DA63-07353A   | COVER CONTROL-PANEL; 3050,ABS,HB,INOX GRA    | SA  | 1    |
| 21-2 | 3    | G0068 | DA34-00043A   | SWITCH REED-ASS"Y; 200VDC,1.5,-              | SA  | 1    |
| 22   | 2    | A0705 | DA97-13567A   | ASSY HINGE UPP; 3050_BMF                     | SA  | 1    |
| 22-1 | 3    | A0510 | DA97-13566A   | ASSY HINGE UPP-SUB; 3050_BMF                 | SA  | 1    |
| 22-2 | 3    | A0518 | DA66-00385A   | SHAFT-HINGE;<br>CORE,SWCH10A,-,OD6,-,-,ZPC3( | SA  | 1    |
| 23   | 2    | G0090 | DA41-00519R   | ASSY LAMP LED;<br>3,CEM-1,65*10,WHITE,SMAW25 | SA  | 1    |
| 24   | 2    |       | DA60-00279A   | FITTING-LOKRING 16;<br>GRAND/SAM/HERMES,11SM | SA  | 1    |
| 25   | 2    |       | DA60-00280A   | FITTING-LOKRING 33;<br>GRAND/SAM/HERMES,11SM | SA  | 1    |
| 26   | 2    |       | DA60-00281A   | FITTING-LOKRING 43;<br>GRAND/SAM/HERMES,11SM | SA  | 1    |
| 27   | 1    | A0952 | DA92-00462D   | ASSY PCB MAIN; 3050 BMF,220V,regulation,I    | SA  | 1    |
| 28   | 1    | M0309 | DA92-00459A   | ASSY PCB INVERTER; LC 4_3050,15V,5V,220~2    | SA  | 1    |
| 29   | 2    | A0526 | DA97-14151A   | ASSY CHASSIS COMP; 3050-PJT,GI-SGCC, T0.8    | SA  | 1    |
| 29-1 | 3    | A0527 | DA61-06202A   | CASTER-REAR; GRAND-CRU,PP,NATURAL            | SA  | 2    |
| 29-2 | 3    |       | DA60-90146A   | PIN-CASTER;<br>SR-289-429,MSWR10,OD6.0,L38,Z | SA  | 2    |
| 29-3 | 3    | A0526 | DA97-13454A   | ASSY CHASSIS COMP; 3050-PJT,T0.8,RB31        | SA  | 1    |
| 30   | 2    | G0215 | DA63-07383A   | COVER-WIRE DOOR; 3050,BMF,ABS,INOX GRAY      | SA  | 1    |
| 31   | 3    |       | DA97-13565A   | ASSY INS PARTITION; 3050_BMF                 | SNA | 1    |
| 32   | 2    |       | DA60-00317A   | FITTING-LOKRING 24; 11SMnPb30k,24            | SA  | 1    |



# 4. Door

## Exploded View



## Parts List

| No. | Lvl. | Loc.  | Material Code | Description & Specification               | SNA | Qty. |
|-----|------|-------|---------------|---|-----|------|
| 1   | 2    | A0052 | DA91-03974B   | ASSY DOOR FOAM REF; 310,BETTER,METAL GRAP | SA  | 1    |
| 1-1 | 3    | M0196 | DA64-04020B   | MASCOT; ALL,NI,T0.05,L80                  | SA  | 1    |
| 1-2 | 5    |       | DA34-00043J   | SWITCH REED; 200VDC,0.5A,3050             | SA  | 1    |
| 1-3 | 5    |       | DA66-01011B   | LEVER-AUTO CLOSE; 3050PJ,POM,EBONY BLACK, | SA  | 1    |
| 2   | 2    | A0051 | DA91-03975E   | ASSY DOOR FOAM FRE; 310,BETTER,METAL GRAP | SA  | 1    |
| 2-1 | 5    |       | DA66-01011B   | LEVER-AUTO CLOSE; 3050PJ,POM,EBONY BLACK, | SA  | 1    |
| 3   | 2    | A0636 | DA97-15689A   | ASSY GUARD DAIRY; 3050_BMF,ASSY           | SA  | 1    |
| 3-1 | 3    |       | DA63-07404A   | GUARD-DAIRY CASE; 3050,GPPS,TP BLUE,HB,16 | SA  | 1    |
| 3-2 | 3    |       | DA63-07405A   | GUARD-DAIRY COVER; 3050,GPPS,TP BLUE,HB,1 | SA  | 1    |
| 3-3 | 3    |       | DA67-02920A   | CAP-HINGE DAIRY R; HERMES,POM,NTR         | SA  | 1    |
| 3-4 | 3    |       | DA67-02921A   | CAP-HINGE DAIRY L; HERMES,POM,NTR         | SA  | 1    |
| 4   | 2    |       | DA97-12306F   | ASSY GASKET-REF; RB31,GRAY,W539.5,L950    | SA  | 1    |
| 5   | 2    |       | DA97-12398K   | ASSY GASKET-FRE; 3050_BMF,RB29, RB31,GRAY | SA  | 1    |
| 6   | 2    | A0656 | DA63-07346A   | TRAY EGG; 3050,GPPS,TP BLUE,165N,HI-IMPAC | SA  | 1    |
| 7   | 2    | A0151 | DA63-08118A   | GUARD BOTTLE; 3050,GPPS,3,TP BLUE,HB,165N | SA  | 1    |
| 8   | 2    | A0153 | DA63-08117A   | GUARD VARIETY; 3050,GPPS,3,TP BLUE,HB,165 | SA  | 2    |
| 9   | 2    | A0626 | DA97-13300L   | ASSY COVER CONTROL; 3050PJT,ASSY,Ebony BI | SA  | 1    |
| 9-1 | 3    |       | DA64-04377C   | INLAY CONTROL; 3050PJT BMF,PC,T0.38,BLACK | SA  | 1    |