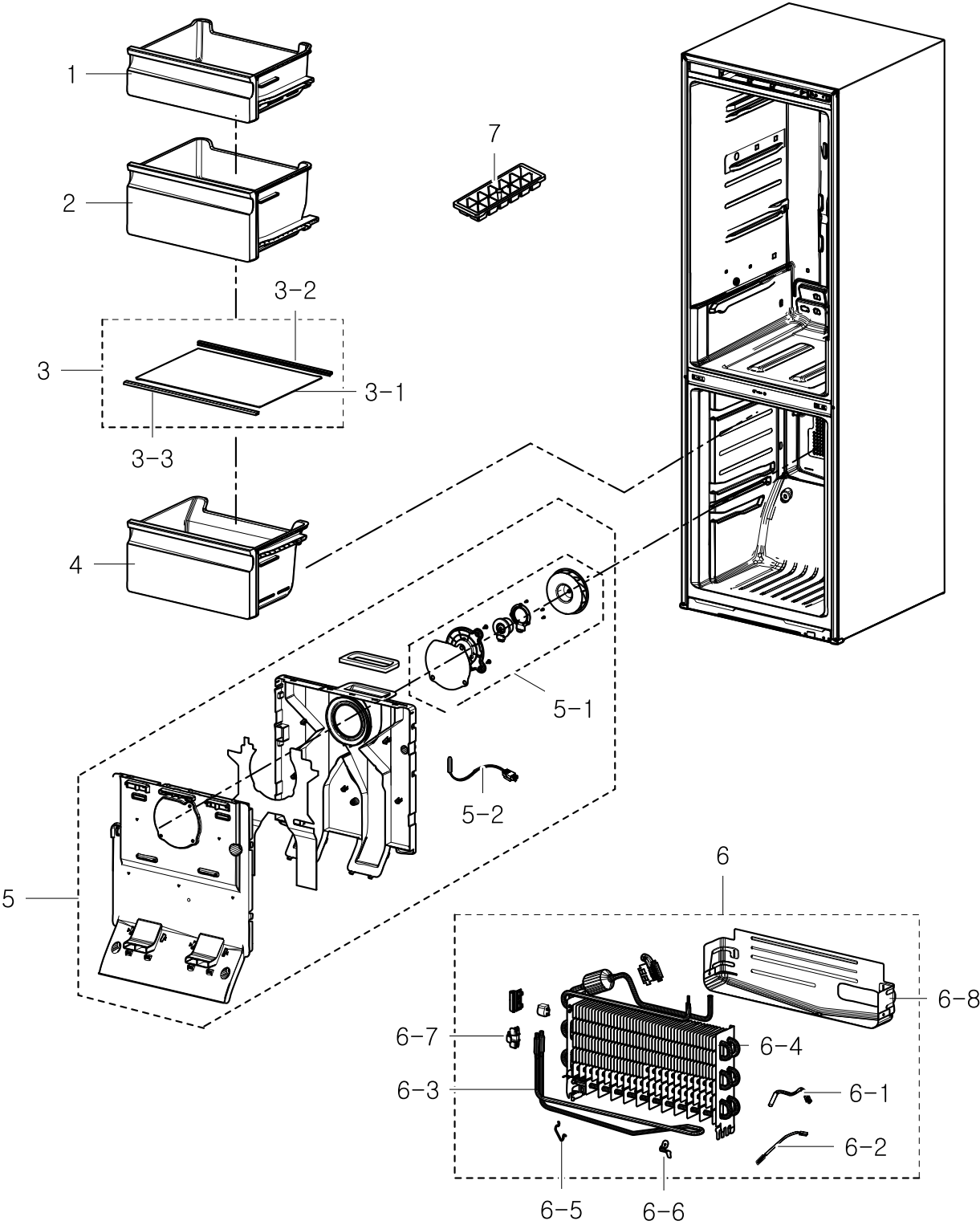


1. Freezer

Exploded View

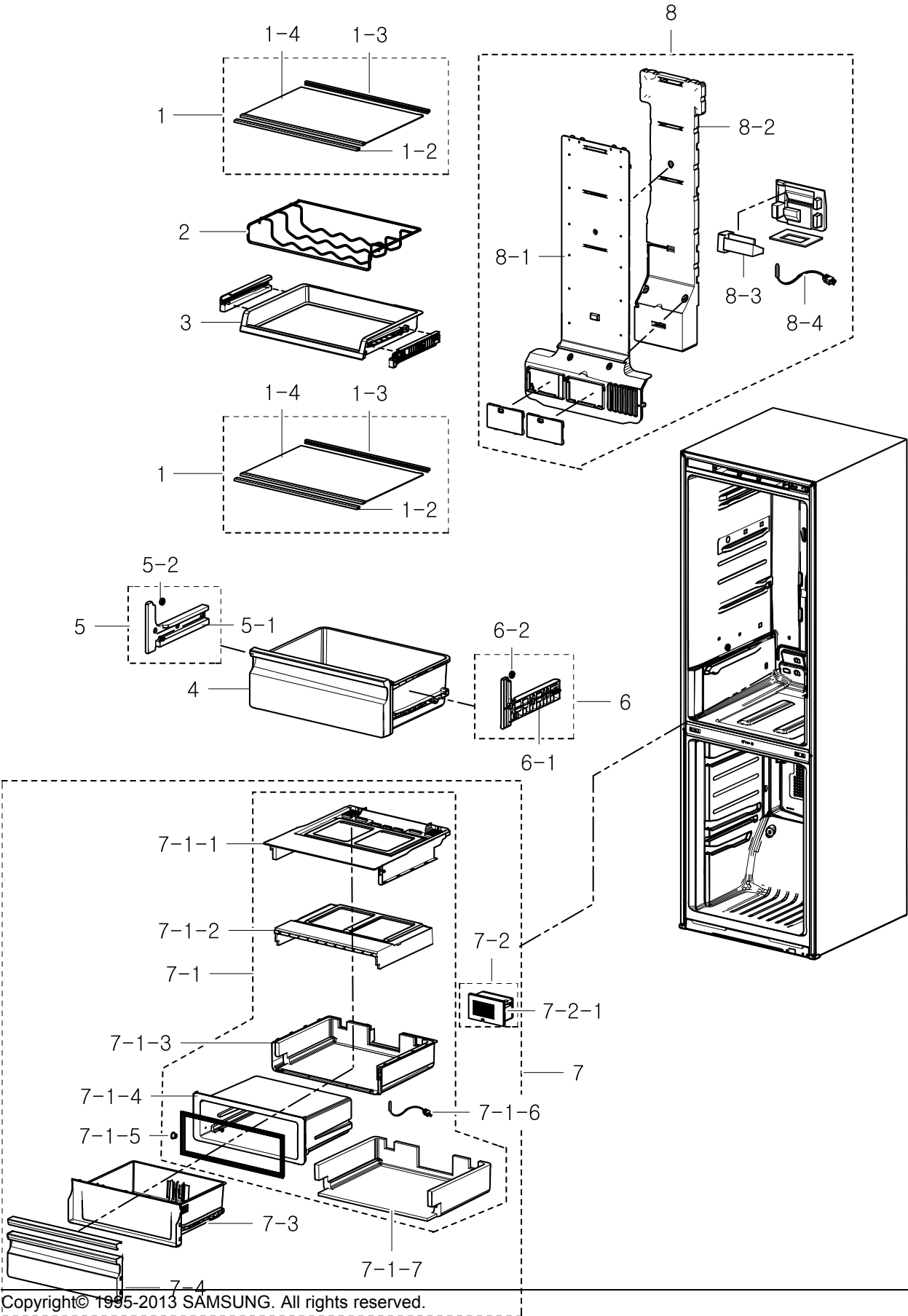


Parts List

No.	Lvl.	Loc.	Material Code	Description & Specification	SNA	Qty.
1	2	M0121	DA97-13480A	ASSY TRAY-FRE UPP; 3050,W479.1,L394.3	SA	1
2	2	G0268	DA97-13472A	ASSY TRAY-FRE MID; 3050,W466.3,L360.2	SA	1
3	2		DA97-13502E	ASSY SHELF GLASS-FRE; RL31/29,COOL WHITE	SNA	1
3-1	3	A0720	DA67-03645N	GLASS-SHELF FRE; 3.2,RL310/290,TEMPERED G	SNA	1
3-2	3		DA64-04395D	TRIM SHELF-REAR FRE; RL31/29,HIPS,HIPS+SO	SNA	1
3-3	3		DA64-04392E	TRIM SHELF-FRONT FRE; RL31/29,HIPS,HIPS+S	SNA	1
4	2	G0267	DA97-13475A	ASSY TRAY-FRE LOW; 3050,W466.3,L343.4	SA	1
5	2	M0303	DA97-13570A	ASSY COVER EVAP-FRE; 3050_BMF,NTR	SA	1
5-1	3	M0005	DA96-00968A	ASSY MOTOR-FAN; DREP8020RB,DC 12V,1870,HM	SA	1
5-2	3	A1018	DA32-10105X	SENSOR TEMP; PX-41C,QUEEN PJT,-10,5V,F-SE	SA	1
6	2	A0163	DA96-01009A	ASSY EVAP-FRE; 3050-BMF	SA	1
6-1	3	A0696	DA32-00006D	SENSOR TEMP-F DEF SENSOR; PX-41C,502AT-2,	SA	1
6-2	3	A1008	DA47-00301D	THERMO FUSE-ASSY; ARAM,250V,10A,109~110	SA	1
6-3	3	A0921	DA47-00460A	HEATER-METAL SHEATH; 230V, 150W	SA	1
6-4	3	A0742	DA59-00555A	EVAP FRE; FIN TUBE,AL,3050-PJT	SNA	1
6-5	3		DA61-02526A	FIXER-EVAP FRE,SUB; NEXT,AL,2.0,-,-	SA	1
6-6	3	M9010	DA61-03644A	PLATE-EVAP HEATER; AW-PJT,AL,T0.7,-,-,-,-	SA	1
6-7	3	G0205	DA61-07410A	FIXER-HEATER FRE; NW2,PP,NTR,V0	SA	1
6-8	3	A0754	DA61-08936A	PLATE-DRAIN; 3050,GI-SGCC,-,T0.3	SA	1
7	2	A0582	DA67-40146B	TRAY-ICE; SR-1500,NTR,PE,-,-,-,-,-	SA	1

2. Refrigerator

Exploded View



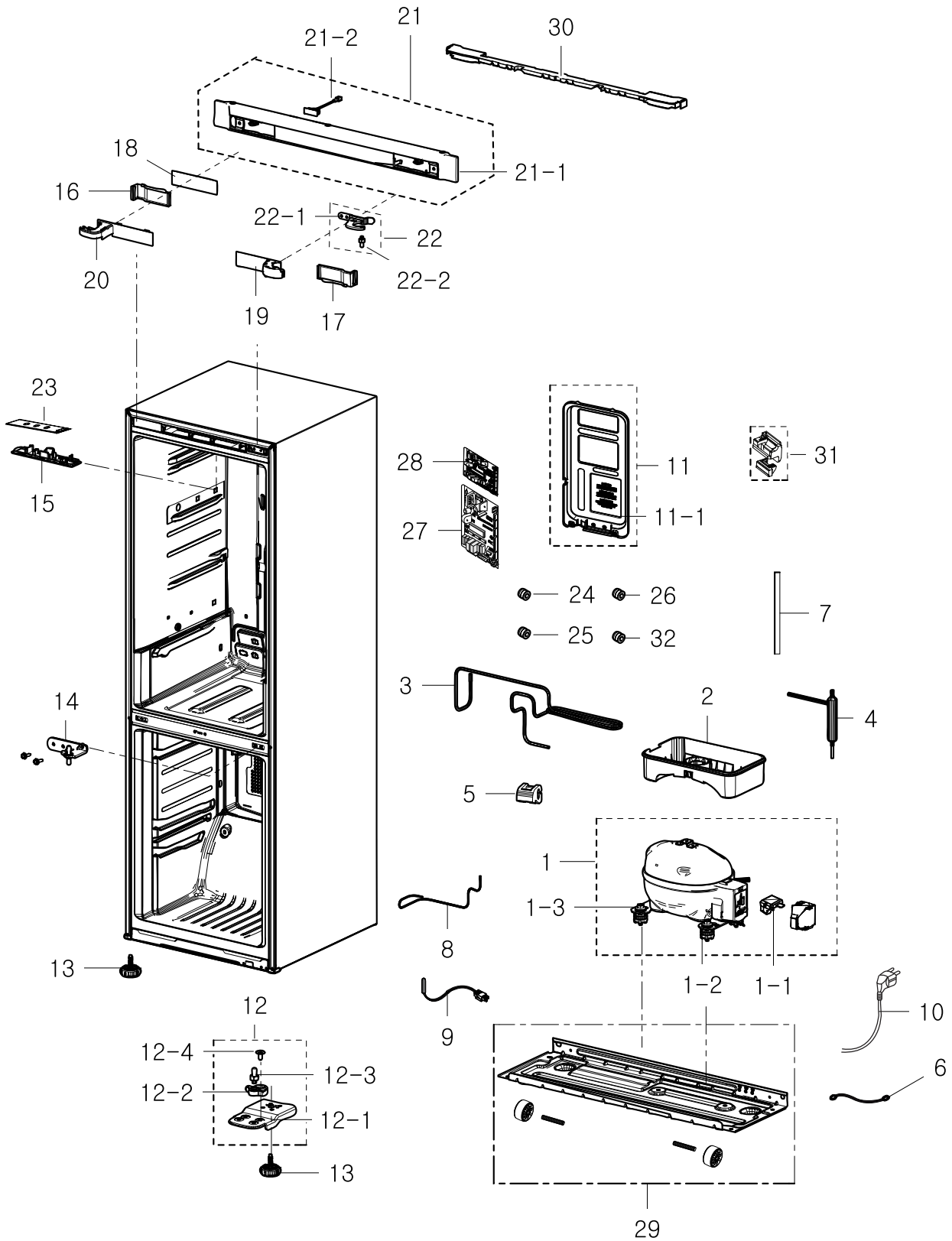
Parts List

No.	Lvl.	Loc.	Material Code	Description & Specification	SNA	Qty.
1	2		DA97-13502D	ASSY SHELF GLASS-REF; RL31/29,COOL WHITE	SNA	2
1-2	3		DA64-04392A	TRIM SHELF-FRONT; RT320,HIPS,HIPS+SOFT UR	SNA	2
1-3	3		DA64-04395A	TRIM SHELF-REAR; RT320,HIPS,HIPS+SOFT URE	SNA	2
1-4	3	A0720	DA67-03645K	GLASS-SHELF REF; 3.2,RL310/290,TEMPERED G	SNA	2
2	2	G0076	DA75-00313A	RACK-WINE; 3050(BEST),STAINLESS-ST5204,OD	SA	1
3	2		DA97-13616A	ASSY SHELF-SLIDE OUT; 3050(RL310)	SA	1
4	2	A0730	DA97-13473A	ASSY CASE-VEG UPP; 3050,W479.2,L356.1	SA	1
5	2	M0110	DA97-13599A	ASSY RAIL-VEG L; 3050_BMF	SA	1
5-1	3		DA61-09032A	RAIL-VEG L; 3050 LMF,HIPS,COOL-WHITE	SA	1
5-2	3		DA66-10104A	ROLLER-FRE; POM,-,-,D22,-,-,	SC	1
6	2	M0111	DA97-13598A	ASSY RAIL-VEG R; 3050_BMF	SA	1
6-1	3		DA61-09037A	RAIL-VEG R; 3050 LMF,HIPS,COOL-WHITE	SA	1
6-2	3		DA66-10104A	ROLLER-FRE; POM,-,-,D22,-,-,	SC	1
7	2	G0072	DA97-13533A	ASSY-CONVERTIBLE; 3050_BMF	SA	1
7-1	3	M0403	DA97-13466A	ASSY CASE CONVERTIBLE; 3050_BMF	SA	1
7-1-1	6	G0246	DA61-09036A	CASE-CONVERTIBLE C; 3050(BMF),ABS,COOL WH	SA	1
7-1-2	4	G0248	DA62-04088A	INSULATION-CONV HIGH; 3050(BMF),FOAM-PS,T	SA	1
7-1-3	4	G0245	DA61-09035A	CASE-CONVERTIBLE B; 3050(BMF),PP,NATURAL,	SA	1
7-1-4	4	G0244	DA61-09034A	CASE-CONVERTIBLE A; 3050(BMF),PP,COOL WHI	SA	1
7-1-5	4	G0249	DA66-00151A	ROLLER-FRONT; A-TOP,POM, 16,-,WHT,-,CONV	SA	2
7-1-6	4	A1018	DA32-00011X	SENSOR TEMP; PX-41C/502AT,MT-PJT,-40~110	SA	1
7-1-7	4	G0247	DA62-04089A	INSULATION-CONV LOW; 3050(BMF),FOAM-PS,T9	SA	1
7-2	3		DA97-04106D	ASSY DAMPER-CONVERTIBLE; CORE-PJT(PRIUM	SNA	1
7-2-1	4	G0242	DA31-00071D	MOTOR DC-DAMPER; -,-,-,DC 12V,MAX 600mA,-	SA	1
7-3	4	G0078	DA63-07429A	TRAY-CONVERTIBLE; 3050(BMF),GPPS,T2.0,TRA	SA	1
7-4	5	G0084	DA63-07430A	COVER-TRAY CONVERTIBLE; 3050(BMF),GPPS,T2	SA	1

No.	Lvl.	Loc.	Material Code	Description & Specification	SNA	Qty.
8	2	G0239	DA97-13715A	ASSY COVER MULTI-REF; 3050_BMF,RB31, CONV	SA	1
8-1	3	A0689	DA63-07480A	COVER-MULTI REF; 3050_BMF,PP,COOL WHITE(S	SNA	1
8-2	3		DA62-04188A	INSULATION-MULTI REF A; 3050_BMF,FOAM-PS,	SNA	1
8-3	3	G0242	DA31-00043F	MOTOR DC-DAMPER; -,CORE-PJT,Max 60mA,-,-,	SA	1
8-4	3	Z2169	DA32-00006N	SENSOR TEMP-ASSY; PX41C/502AT,TGV,-40~110	SC	1

3. cabinet

Exploded View



Parts List

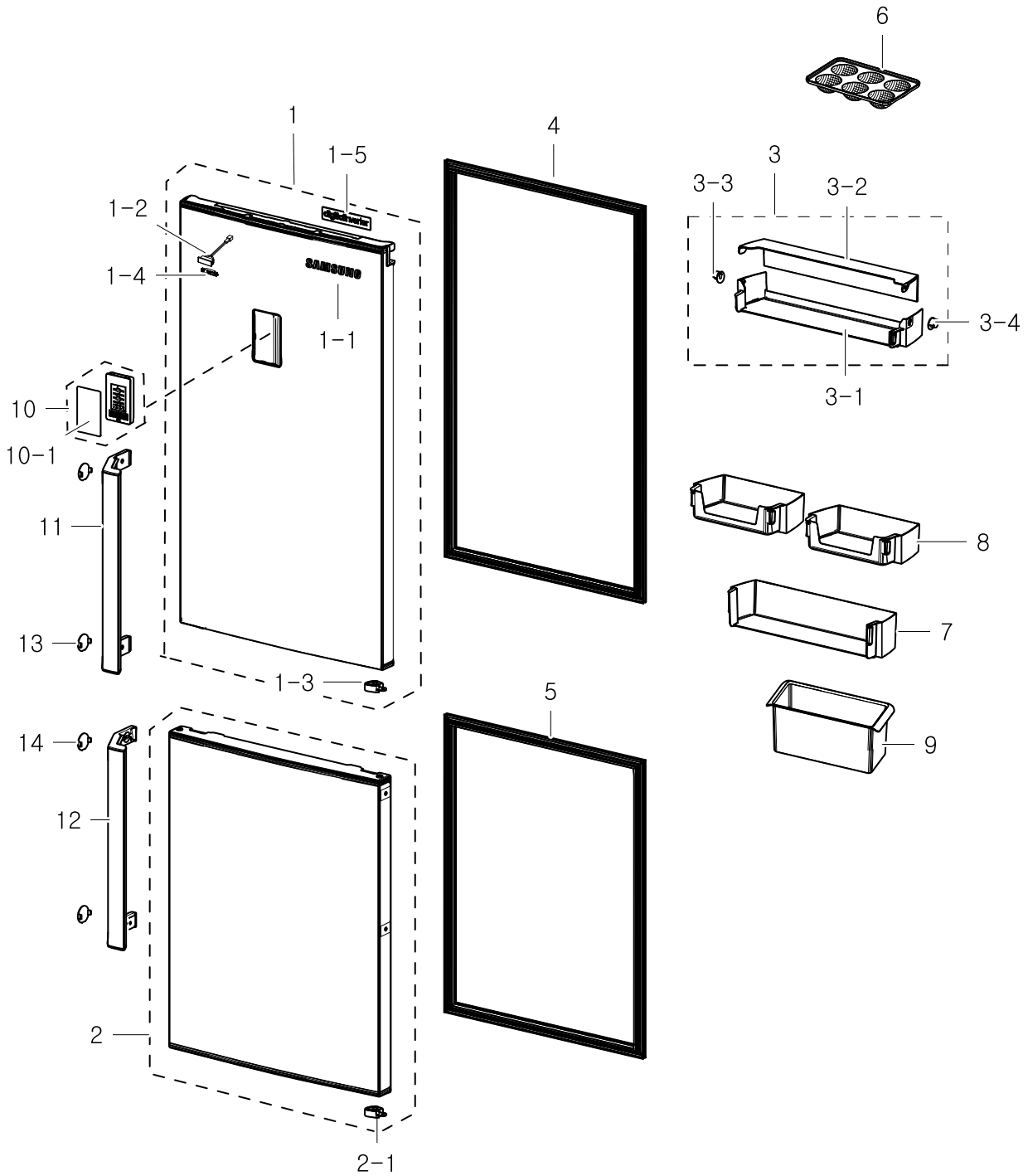
No.	Lvl.	Loc.	Material Code	Description & Specification	SNA	Qty.
1	2		MSV488AL1R/TT1	COMPRESSOR,BLDC IPM,8.82CC,115/220V,STAI; COMPRESSOR,BLDC IPM,8.82CC,115/220V,STAI		1
1-1	3	A0575	DA34-00004B	RELAY PROTECTOR O/L; 4TM308RFBYY-82,BK190	SA	1
1-2	3	Z1112	DA63-02617A	GROMMET COMP; USP05,EPDM,OD27.0,BLACK	SA	4
1-3	3	A0564	DA60-20008A	BOLT-HEX; SWCH45K, WHITE,ZPC	SA	4
2	2	A0749	DA97-13658A	ASSY TRAY-DRAIN WATER; 3050_LMF(RB29/31),	SA	1
3	2		DA97-13649A	ASSY PIPE IMMERSING; 3050_LMF,RL29,31	SNA	1
4	2	G0071	DA62-04187C	DRYER-SINGLE; HAEMIL,C1220T,6	SA	1
5	2		DA63-07475A	GROMMET-IMMERSION PIPE D; 3050_LMF,NBR,20	SA	1
6	2	A0562	DA39-20389A	WIRE HARNESS-EARTH; -, -, -, -, -, -, -, -	SA	1
7	2	M0203	DA62-02982C	PIPE-CONNECT DISC A; C1220T-1/2H,OD6.35,L	SA	1
8	2	M0016	DA62-03095A	PIPE-CONNECT SUCTION; GRANDCRU,C1220T-0,O	SA	1
9	2	A1018	DA32-10105F	SENSOR TEMP; 502AT,ACE,-10~35,5V,5KOHM,90	SA	1
10	2	A0273	3903-000805	CBF-POWER CORD; AT,ENGLAND,BF-3,250V/13A,	SA	1
11	2	M0306	DA97-13562A	ASSY COVER-PCB PANEL; 290, 310,GI,3050	SA	1
11-1	3		DA63-07420A	COVER-PCB PANEL; BMF,GI-SGCC,T0.5,3050	SA	1
12	2	A0515	DA97-13557B	ASSY HINGE LOW; 3050(BMF)	SA	1
12-1	3	A0247	DA61-08990A	HINGE-LOW; 3050PJ,PO-SPHC,T3.0,LMF	SA	1
12-2	3	A0516	DA61-08991B	GUIDE-AUTO CLOSE; 3050PJ,PA66,HG-0760GP,I	SA	1
12-3	3	A0518	DA66-00385A	SHAFT-HINGE; CORE,SWCH10A,-,OD6,-, -,ZPC3(SA	1
12-4	3	F0041	DA81-01532A	SCREW-SPECIAL; CH,+,M5,L12,ZPC2(WHT),SWRC	SA	1
13	2	G0201	DA61-07546A	LEG; GRAND CRU-PJT,PP,NTR,BOLT:M8,50.5mm	SA	2
14	2	A0513	DA97-13564A	ASSY HINGE MID; 3050_BMF	SA	1
15	2	A0490	DA63-07368A	COVER-LAMP; 3050,GPPS,T2.0,TRANSFANRENCY	SA	1
16	2		DA67-03647A	CAP-SPACE DOOR R; 3050(BMF),ABS,INOX GRAY	SNA	1
17	2		DA67-03636A	CAP-SPACE DOOR L; 3050 (BMF),ABS,INOX GRA	SNA	1
18	2		DA61-08932A	CAP-CONTROL PANEL; 3050PJT,ABS,INOX Gray(SA	1

Exploded Views and Parts List

No.	Lvl.	Loc.	Material Code	Description & Specification	SNA	Qty.
19	2	G0213	DA63-07384A	COVER-WIRE HINGE R; 3050,BMF,ABS,INOX GRA	SA	1
20	2	G0214	DA63-07385A	COVER-WIRE HINGE L; 3050,BMF,ABS,INOX GRA	SA	1
21	2	G0022	DA97-13615A	ASSY COVER CONTROL-PANEL; 3050PJT,ASSY,IN	SA	1
21-1	3	A0506	DA63-07353A	COVER-CONTROL PANEL; 3050PJT,ABS,HB,INOX	SA	1
21-2	3		DA34-00043J	SWITCH REED; 200VDC,0.5A,3050	SA	1
22	2	A0705	DA97-13567A	ASSY HINGE UPP; 3050_BMF	SA	1
22-1	3	A0510	DA97-13566A	ASSY HINGE UPP-SUB; 3050_BMF	SA	1
22-2	3	A0518	DA66-00385A	SHAFT-HINGE; CORE,SWCH10A,-,OD6,-,-,ZPC3(SA	1
23	2	G0090	DA41-00519R	PBA-LED LAMP; AW3,FR-4,65*10,3CHIP 3EA ,D	SA	1
24	2		DA60-00279A	FITTING-LOKRING 16; GRAND/SAM/HERMES,11SM	SA	1
25	2		DA60-00280A	FITTING-LOKRING 33; GRAND/SAM/HERMES,11SM	SA	1
26	2		DA60-00281A	FITTING-LOKRING 43; GRAND/SAM/HERMES,11SM	SA	1
27	1	A0952	DA92-00462D	ASSY PCB MAIN; 3050 BMF,220V,regulation,I	SA	1
28	1	M0309	DA92-00459A	ASSY PCB SUB INVERTER; 15V,5V,LC 4_3050,2	SA	1
29	2	A0526	DA97-13454A	ASSY CHASSIS COMP; 3050-PJT,T0.8,RB31	SA	1
30	2	G0215	DA63-07383A	COVER-WIRE DOOR; 3050,BMF,ABS,INOX GRAY	SNA	1
31	3		DA97-13565A	ASSY INS PARTITION; 3050_BMF	SNA	1
32	2		DA60-00317A	FITTING-LOKRING 24; 11SMnPb30k,24	SA	1

4. Door

Exploded View



Parts List

No.	Lvl.	Loc.	Material Code	Description & Specification	SNA	Qty.
1	2	A0052	DA91-03956H	ASSY DOOR FOAM REF; 310,SP,E,J,C	SA	1
1-1	3	M0196	DA64-04020B	MASCOT; ALL,NI,T0.05,L80	SA	1
1-2	3		DA34-00043J	SWITCH REED; 200VDC,0.5A,3050	SA	1
1-3	5		DA66-01011B	LEVER-AUTO CLOSE; 3050PJ,POM,EBONY BLACK,	SA	1
1-4	5	G0271	DA67-02385L	CAP-REED SWITCH; SVETA-PJT,PP,NOBLE GRAY(SA	1
1-5	3	M0196	DA64-04506A	MASCOT; 3050-PJT,AL,TITAN GRAY,Digital in	SA	1
2	2	A0051	DA91-03975B	ASSY DOOR FOAM FRE; 310,BETTER,NEW VCM,BA	SA	1
2-1	5		DA66-01011B	LEVER-AUTO CLOSE; 3050PJ,POM,EBONY BLACK,	SA	1
3	2	A0636	DA97-13477A	ASSY GUARD DAIRY; 3050_BMF,ASSY	SA	1
3-1	3		DA63-07404A	GUARD-DAIRY CASE; 3050,GPPS,NTR,BMF	SA	1
3-2	3		DA63-07405A	GUARD-DAIRY COVER; 3050,GPPS,3,NTR,BMF	SA	1
3-3	3		DA67-02920A	CAP-HINGE DAIRY R; HERMES,POM,NTR	SA	1
3-4	3		DA67-02921A	CAP-HINGE DAIRY L; HERMES,POM,NTR	SA	1
4	2		DA97-12306F	ASSY GASKET-REF; RB31,GRAY,W539.5,L950	SA	1
5	2		DA97-12398K	ASSY GASKET-FRE; 3050_BMF,RB29, RB31,GRAY	SA	1
6	2	A0656	DA63-07346A	TRAY EGG; 3050,GPPS,NATURAL,T1.5,43g	SA	1
7	2	Z1010	DA63-07345A	GUARD-BOTTLE; 3050,GPPS,3,NATURAL	SA	1
8	2	A0211	DA63-07344A	GUARD-VARIETY; 3050,GPPS,3,NATURAL	SA	2
9	3		DA63-07406A	GUARD-SAUCE; 3050,GPPS,3,NTR,BMF	SA	1
10	2	A0626	DA97-13300L	ASSY COVER CONTROL; 3050PJT,ASSY,Ebony BI	SA	1
10-1	3		DA64-04377C	INLAY CONTROL; 3050PJT BMF,PC,T0.38,BLACK	SA	1
11	2	A0553	DA97-13886C	ASSY HANDLE; 3050PJT BMF,INOX GRAY	SA	1
12	2	A0553	DA97-13886C	ASSY HANDLE; 3050PJT BMF,INOX GRAY	SA	1
13	2	A0550	DA67-02780C	CAP-HANDLE SCREW; ABS,VERSAILLES SILVER	SA	2
14	2	A0550	DA67-02780C	CAP-HANDLE SCREW; ABS,VERSAILLES SILVER	SA	2

5. Other

Exploded View

No	Description	No	Description
1	SCREW-TAPPING		
2	SCREW-TAPPING		
3	SCREW-TAPPING		
4	BOLT-HEX		
5	CAP-SCREW HANDLE,8023485		
6	CAP SCREW		
7	SCREW-TAPPING		
8	SCREW-TAPPING		
9	SCREW MACHINE		
10	CAP-SCREW		

Parts List

No.	Lvl.	Loc.	Material Code	Description & Specification	SNA	Qty.
1	2	G0412	6002-001122	SCREW-TAPPING; FH,+,NO,1,M4,L14,ZPC(WHT),	SA	1
2	2	G0412	6002-001462	SCREW-TAPPING; TWH,+,1,M3.9,L8,ZPC(WHT),S	SA	2
3	2	G0412	6006-001170	SCREW-TAPPING; TH,+,WT,TC,M4,L10,ZPC(WHT)	SA	1
4	2	A0564	6011-001546	BOLT-HEX; M5(P0.8),L16,ZPC(WHT),SWRCH18A,	SA	4
5	2	A0297	DA67-02684A	CAP-SCREW HANDLE,8023485; GRAND CRU,ABS,W	SA	2
6	2		DA67-03725A	CAP SCREW; 3050,PP,HB,INOX GRAY	SA	1
7	2	G0412	6002-001406	SCREW-TAPPING; TH,+,-,2S,M4,L12,ZPC(WHT),	SA	2
8	2	G0412	6002-000613	SCREW-TAPPING; TH,+,-,2,M5,L16,ZPC(WHT),S	SA	4
9	2		DA60-00018A	SCREW MACHINE; TH,+,PASS,STS304	SA	1
10	2	A0270	DA67-30266K	CAP-SCREW; A-TOP,PP,SC-02740R,-,-,Cool-wh	SA	1