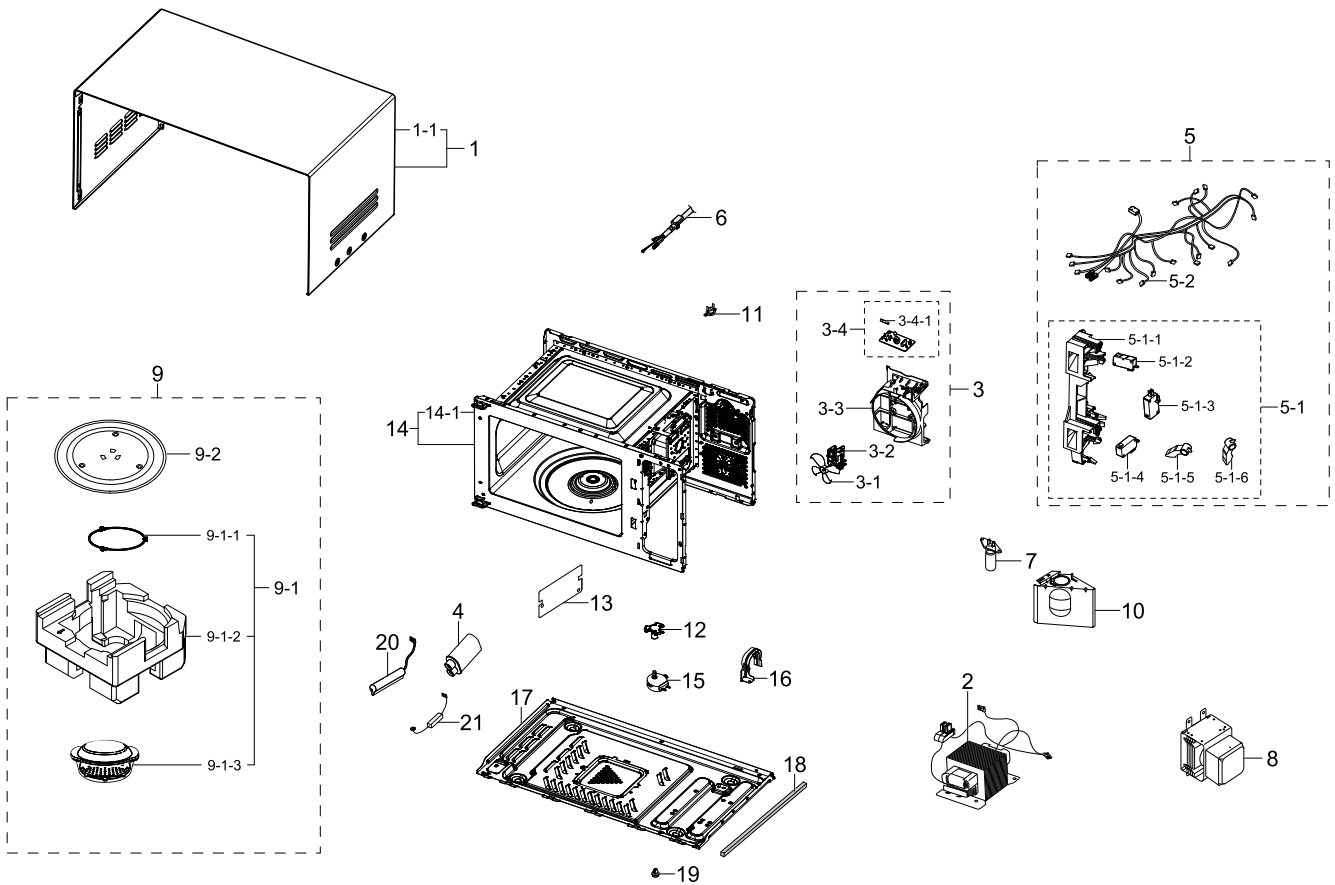


1. MS23K3555EK/EF

Exploded View



Parts List

No.	Lvl.	Loc.	Material Code	Description & Specification	SNA	Qty.
1	1	M001	DE64-02356D	PANEL OUTER; GS89-S,EGI-SECC,T0.4,488.8,B	SA	1
1-1	2		DE64-02356A	PANEL OUTER-PRESS; 0.7ECO PLATFORM,EGI-SE	SNA	1
2	2	M038	DE26-00160A	TRANS H.V; SHV-EPT06A,230V,2280V/3.85V,AL	SA	1
3	2	M020	DE96-01109A	ASSY MOTOR FAN; MS23J5133AK/TR,230V,50Hz,	SNA	1
3-1	3	H099	DE31-90057A	BLADE-FAN; 3RD-W,PP,T1.5,T1.5	SA	1
3-2	3	M023	DE31-10185A	MOTOR AC FAN; SMF-3RDEA1,2,230V,50Hz,20W,	SA	1
3-3	3		DE63-00788A	COVER BLOWER; ECO, NC2K,PP,T1.2,HB,NATURA	SA	1
3-4	3	M017	DE96-00822A	ASSY NOISE FILTER; SN-ESMA,250V/10A,250V/	SA	1
3-4-1	4	M019	3601-000448	FUSE-CARTRIDGE; 250V,10A,SLOW-BLOW,CERAMI	SC	1
4	2	M039	2501-001016	C-OIL HIGH VOLTAGE; 950nF,2100V,BK,34x54x	SA	1

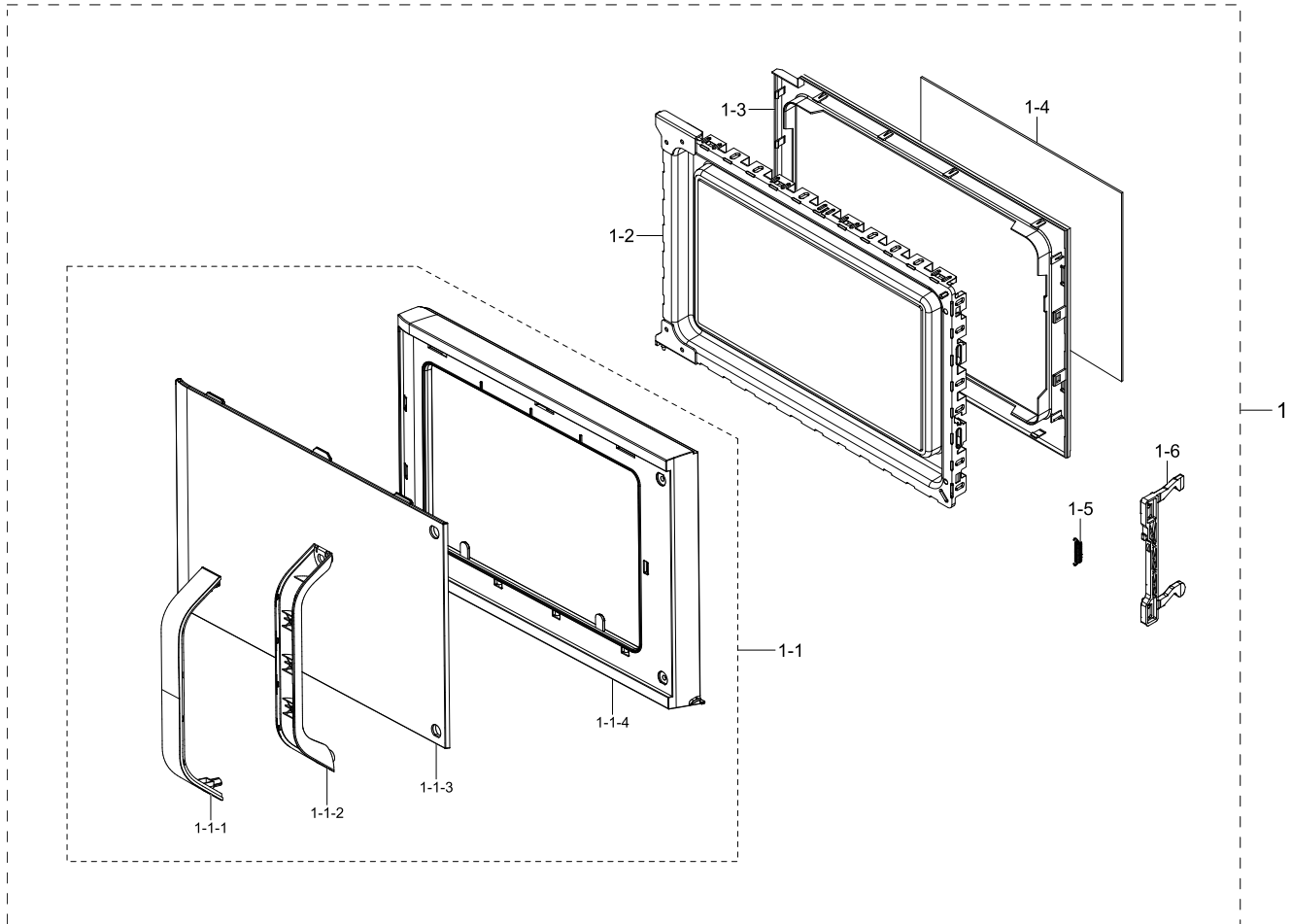
Exploded Views and Parts List

No.	Lvl.	Loc.	Material Code	Description & Specification	SNA	Qty.
5	1		DE94-03493C	ASSY HOLDER-WIRE; MS23F301TAW/ST,DE94-023	SNA	1
5-1	2	B022	DE94-02317E	ASSY BODY LATCH; ECO HANDLE TYPE,1A DOOR	SA	1
5-1-1	3	B077	DE66-00231A	LATCH BODY; 0.8 CHIC,PP,WHITE,PP MU30HP(V	SA	1
5-1-2	3	B048	3405-001034	SWITCH-MICRO; 125/250VAC,16A,200gf,SPST-N	SA	1
5-1-3	3	B046	3405-001032	SWITCH-MICRO; 125/250VAC,16A,200gf,SPDT,T	SA	1
5-1-4	3	S0021	3405-001116	SWITCH-MICRO; 125/250VAC,1A,200gf,SPST-NO	SA	1
5-1-5	3	B010	DE66-00093A	LEVER SWITCH-A; NC2000,PP,HT44,GRAY,HANDL	SA	1
5-1-6	3	B011	DE66-00094A	LEVER SWITCH-B; NC2000,PP,TB53,NTR,HANDLE	SA	1
5-2	2	W002	DE96-00934A	ASSY WIRE HARNESS-MAIN; RE-C21AW,220V/60H	SA	1
6	1	M015	DE96-00385D	POWER CORD-AT; H05VV-F 3x0.75mm2,GRY,EU3S	SA	1
7	2	M036	4713-001524	LAMP-INCANDESCENT; 22x53,BK,20,230,CLEAR,	SA	1
8	2	M035	OM75S(31)ESGN	ASSY-MGT; ASSY-MGT		1
9	1		DE94-02602D	ASSY ACCESSORY PARTS; MS23K3555ES/EN,MW35	SNA	1
9-1	2	Z056	DE98-01497A	ASSY CUSHION TRAY; MW3500K(SOLO),GLASS ST	SNA	1
9-1-1	3	F535	DE97-00193D	ASSY GUIDE ROLLER; RE-C21AW,PPS,PTEF,15.5	SA	1
9-1-2	3	T085	DE69-00726A	CUSHION TRAY; GE89M-BX,EPS,0.8 OGUN PJT,5	SNA	1
9-1-3	3	X085	DE94-03552A	ASSY STEAMER; MW3500K,GLASS,1.5L	SA	1
9-2	2	T001	DE74-20102D	TRAY COOKING; G643C-1(3RD-0.6),GLASS,T6,-	SA	1
10	2	M037	DE63-00651A	COVER AIR; 0.7ECO PLATFORM,GI-SGCC,T0.4	SA	1
11	2	M440	DE47-20008A	THERMOSTAT; AC125/250V,15/10A,100C,60C,No	SA	1
12	2	M034	DE67-00272A	COUPLER; CE73JD,PPS,BROWN,XP2140C,GIANT,0	SA	1
13	2	M051	DE71-00159A	COVER-CEILING; CN2835,MICA SHEET,T0.3,NC0	SA	1
14	1	P141	DE94-02321C	ASSY CAVITY-COATING; ANTI BACTERIUM,ENAME	SNA	1
14-1	2	Z778	DE94-02323B	ASSY CAVITY-WELDING; 0.8 MUSE2 SOLO,0.8 M	SNA	1
15	2	M049	DE31-10154D	MOTOR AC DRIVE; 8Pole,21V,50/60Hz,200mA,3	SA	1

No.	Lvl.	Loc.	Material Code	Description & Specification	SNA	Qty.
16	2	M040	DE61-01263A	BRACKET-HVC; 0.7ECO PLATFORM,EGI-SECC,T0.	SA	1
17	2	M048	DE61-01262E	BASE PLATE; 0.7/0.8 ECO PLATFORM,GI-SGCC,	SA	1
18	2	P021	DE63-00008J	CUSHION SPONGE; PU FOAM,PUT-FOAM,T4,W8,L1	SNA	1
19	2	M047	DE61-01585A	FOOT; 0.7/0.8 ECO SOLO/GRILL,RUBBER,BLACK	SA	1
20	2	M042	DE96-00831A	ASSY H.V.FUSE; 5KV,650mA,Case-Cover,GRY,#	SA	1
21	2	M527	DE59-00002A	DIODE-H.V; MWO,2CL4512H/CL04-12A,500mA,12	SA	1

2. Assy Door

Exploded View



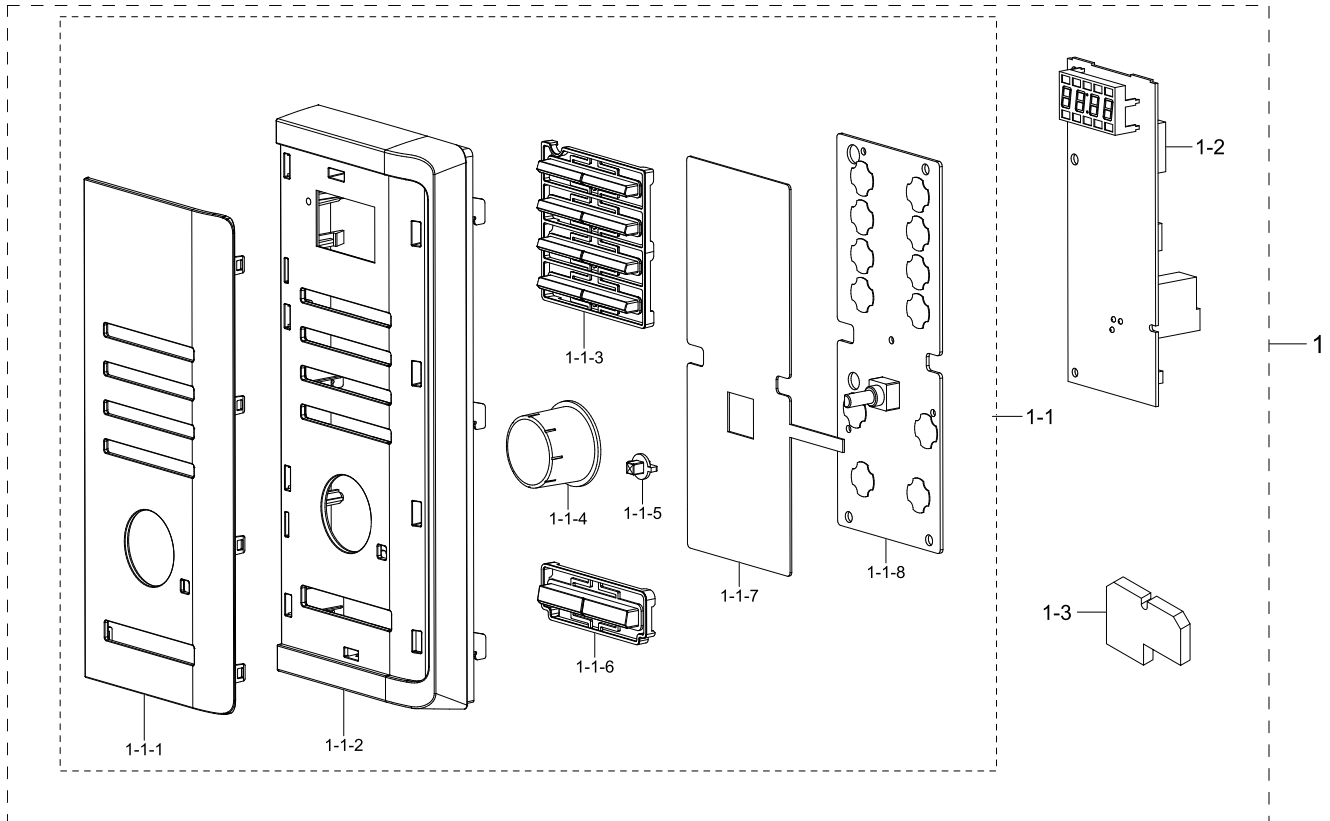
Parts List

No.	Lvl.	Loc.	Material Code	Description & Specification	SNA	Qty.
1	1	D049	DE94-04288F	ASSY DOOR; MS23K3513AK/EF,ABS,BLACK,MBO,N	SA	1
1-1	2	D037	DE94-03556Y	ASSY DOOR A; MS23K3513AK/SP,ABS,BLACK,MW3	SA	1
1-1-1	3	D147	DE63-00830A	COVER HANDLE; MW3500K,ABS,HB,GE BLACK,HG-	SNA	1
1-1-2	3	D019	DE64-02903A	HANDLE DOOR; MW3500K,ABS,W25,L225.3,HG-07	SNA	1
1-1-3	3	D003	DE64-02904E	SCREEN DOOR; MS23K3555ES/BA,SAN,W232.1,L3	SNA	1
1-1-4	3	D002	DE64-02905B	DOOR A; MW3500K,ABS,HB,HG-0760SR,GE BLACK	SNA	1
1-2	2	D004	DE94-02262C	ASSY DOOR E-COATING; MW73B/XEF,EGI-SECC T	SA	1

No.	Lvl.	Loc.	Material Code	Description & Specification	SNA	Qty.
1-3	2	D006	DE64-02354A	DOOR C; 0.7ECO PLATFORM,PP,HB,T332,BLACK,	SNA	1
1-4	2	D005	DE64-00221B	FILM DOOR; -,-,PET,T0.13,W264*L143,-,-,NC	SNA	1
1-5	2	D007	DE61-00193A	SPRING-KEY; MW1255,HSWR-SWRH,PI0.6,D5.5,L	SNA	1
1-6	2	D011	DE64-02430A	DOOR-KEY; 0.8 Chic,POM,BLACK,Chic project	SA	1

3. Assy Control Box

Exploded View



Parts List

No.	Lvl.	Loc.	Material Code	Description & Specification	SNA	Qty.
1	1	C082	DE94-04720G	ASSY CONTROL BOX; MS23K3555EK/EN,230V/50H	SNA	1
1-1	2	C001	DE94-04715G	ASSY CONTROL PANEL; MS23K3555EK/EN,BLACK,	SA	1
1-1-1	3		DE63-00831C	COVER PANEL; MS23K3555ES/EN,SAN,HB,BLACK	SNA	1
1-1-2	3		DE64-02906B	PANEL CONTROL; MG23K3575AK/EN,ABS,HB,HG-0	SNA	1
1-1-3	3		DE64-02732A	BUTTON SELECT-A; 0.8 MUSE3,ABS,W73.8, H73	SA	1
1-1-4	3	C025	DE64-02710C	KNOB; MUSE3,ABS,GE BLACK,NO METALIZING	SA	1
1-1-5	3		DE64-02691B	BUTTON SELECT-B; MC32F606T(1.1CELLO),ABS,	SA	1
1-1-6	3	C035	DE64-02709A	BUTTON-CLOCK; MC32F604T,ABS,D30, H20,HB,G	SA	1
1-1-7	3	C107	DE01-00286A	FILM BOARD; AI,T0.1,W74,L182,AL,N	SNA	1

No.	Lvl.	Loc.	Material Code	Description & Specification	SNA	Qty.
1-1-8	3	C084	DE96-01021A	ASSY KEY MODULE; MG23F302TAS,DKM-MS23T-00	SA	1
1-2	2	F316	DE92-03942F	ASSY PCB MAIN; RCS-SMS3L-381,MW3500K-PJT,	SA	1
1-3	2	C058	DE63-00302A	CUSHION-PCB; PU FOAM,T5.0,W102,L78,BLACK,	SNA	1