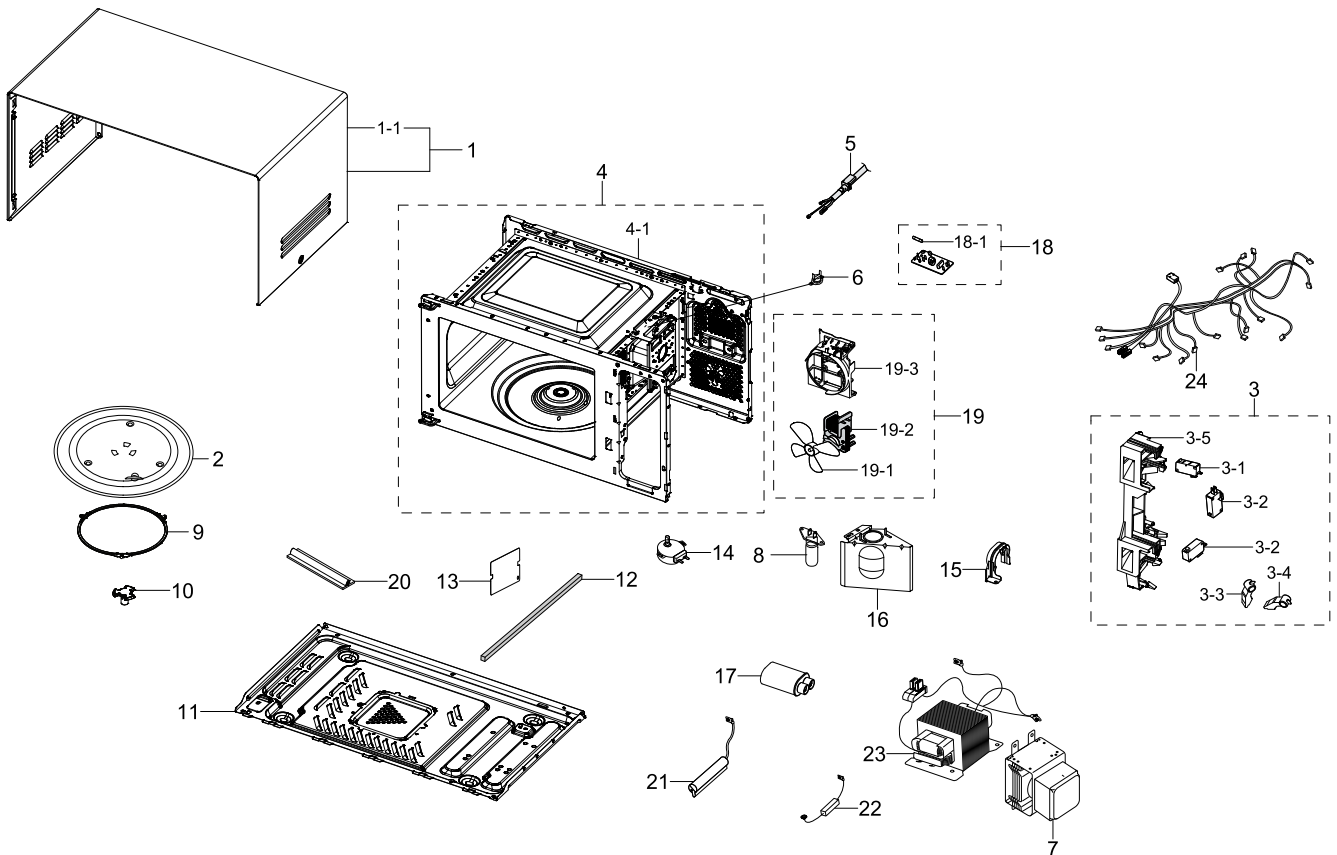


1. MS23F301EAS/EG

Exploded View



Parts List

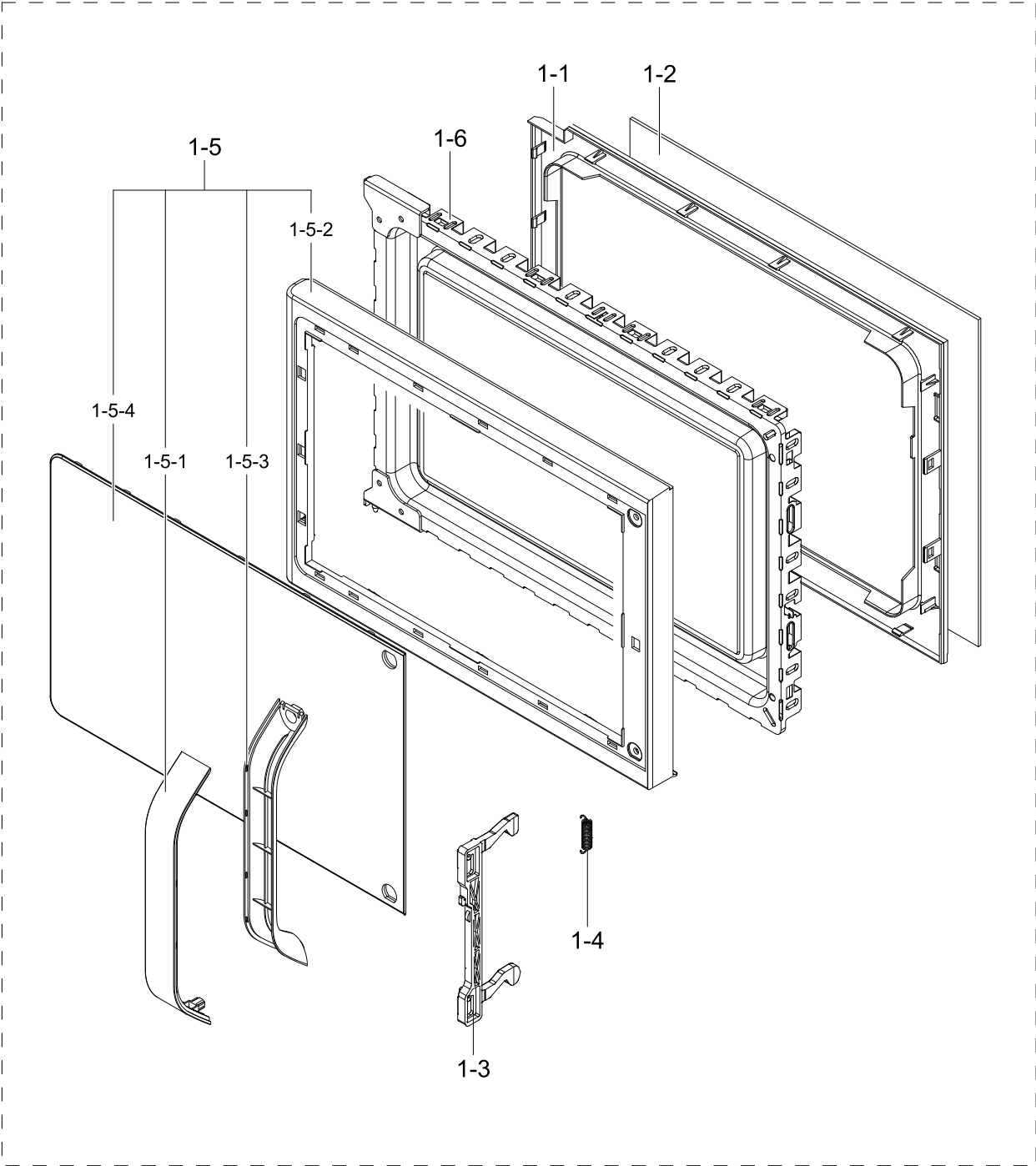
No.	Lvl.	Loc.	Material Code	Description & Specification	SNA	Qty.
1	1	M001	DE64-02356G	PANEL OUTER; MW73B-S,EGI-SECC,T0.4,NEO SI	SA	1
1-1	2		DE64-02356A	PANEL OUTER-PRESS; 0.7ECO PLATFORM,EGI-SE	SNA	1
2	2	T001	DE74-20102D	TRAY COOKING; G643C-1(3RD-0.6),GLASS,T6,-	SA	1
3	1	B022	DE94-02317B	ASSY BODY LATCH; RE-C21VB,GERSUNG u-swotc	SA	1
3-1	2	B046	3405-001032	SWITCH-MICRO; 125/250VAC,16A,200gf,SPDT,T	SA	1
3-2	2	B048	3405-001034	SWITCH-MICRO; 125/250VAC,16A,200gf,SPST-N	SA	2
3-3	2	B010	DE66-00093A	LEVER SWITCH-A; NC2000,PP,HT44,GRAY,HANDL	SA	1
3-4	2	B011	DE66-00094A	LEVER SWITCH-B; NC2000,PP,TB53,NTR,HANDLE	SA	1
3-5	2	B077	DE66-00231A	LATCH BODY; 0.8 CHIC,PP,WHITE,PP MU30HP(V	SA	1

Exploded Views and Parts List

No.	Lvl.	Loc.	Material Code	Description & Specification	SNA	Qty.
4	1	P141	DE94-02321C	ASSY CAVITY-COATING; ANTI BACTERIUM,ENAME	SNA	1
4-1	2	Z778	DE94-02323B	ASSY CAVITY-WELDING; 0.8 MUSE2 SOLO,0.8 M	SNA	1
5	1	M015	DE96-00385D	CBF-POWER CORD; AT,EUROPE,EU3S,,,,Gray,90	SA	1
6	2	M440	DE47-20008A	THERMOSTAT; 125/250V,15A/10A,100,60,NORMA	SA	1
7	2	M035	OM75S(31)ESGN	ASSY-MGT; ASSY-MGT		1
8	2	M036	4713-001524	LAMP-INCANDESCENT; 22x53,BK,20,230,CLEAR,	SA	1
9	2	F535	DE97-00193D	ASSY GUIDE ROLLER; RE-C21AW,PPS,PTEF,15.5	SA	1
10	2	M034	DE67-00272A	COUPLER; CE73JD,PPS,BROWN,XP2140C,GIANT,0	SA	1
11	2	M048	DE61-01262A	BASE PLATE; 0.7ECO PLATFORM,GI-SGCC,T0.5	SNA	1
12	2	P021	DE63-00008J	CUSHION SPONGE; PU FOAM,PUT-FOAM,T4,W8,L1	SNA	1
13	2	M051	DE71-00159A	COVER-CEILING; CN2835,MICA SHEET,T0.3,W11	SA	1
14	2	M049	DE31-10154D	MOTOR AC DRIVE; 8Pole,21V,50/60Hz,200mA,3	SA	1
15	2	M040	DE61-01263A	BRACKET-HVC; 0.7ECO PLATFORM,EGI-SECC,T0.	SA	1
16	2	M037	DE63-00651A	COVER AIR; 0.7ECO PLATFORM,GI-SGCC,T0.4	SA	1
17	2	M039	2501-001016	C-OIL HIGH VOLTAGE; 950nF,2100V,BK,34x54x	SA	1
18	2	M017	DE96-00822A	ASSY NOISE FILTER; SN-ESMA,250V/10A,250V/	SA	1
18-1	3	M019	3601-000448	FUSE-CARTRIDGE; 250V,10A,SLOW-BLOW,CERAMI	SC	1
19	2	M020	DE96-00848E	ASSY MOTOR FAN; GE73M/XEO,230V50HZ,2450R.	SA	1
19-1	3	H099	DE31-90057A	BLADE-FAN; 3RD-W,PP,T1.5,T1.5	SA	1
19-2	3	M023	DE31-10185A	MOTOR AC FAN; SMF-3RDEA1,2,230V,50Hz,20W,	SA	1
19-3	3		DE63-00788A	COVER BLOWER; ECO, NC2K,PP,T1.2,HB,NATURA	SA	1
20	2		DE66-00219A	WIRE-BAND; ALL CMO MODEL,PP,,,,,,,T0.9	SNA	1
21	2	M042	DE96-00831A	ASSY H.V.FUSE; 5KV,650mA,Case-Cover,GRY,#	SA	1
22	2	M527	DE59-00002A	DIODE-H.V; MWO,2CL4512H/CL04-12A,500mA,12	SA	1
23	2	M038	DE26-00160A	TRANS H.V; SHV-EPT06A,230V,2280V/3.85V,AL	SA	1
24	1	W002	DE96-00934A	ASSY WIRE HARNESS-A; RE-C21AW,220V/60HZ,0	SA	1

2. Assy Door

Exploded View

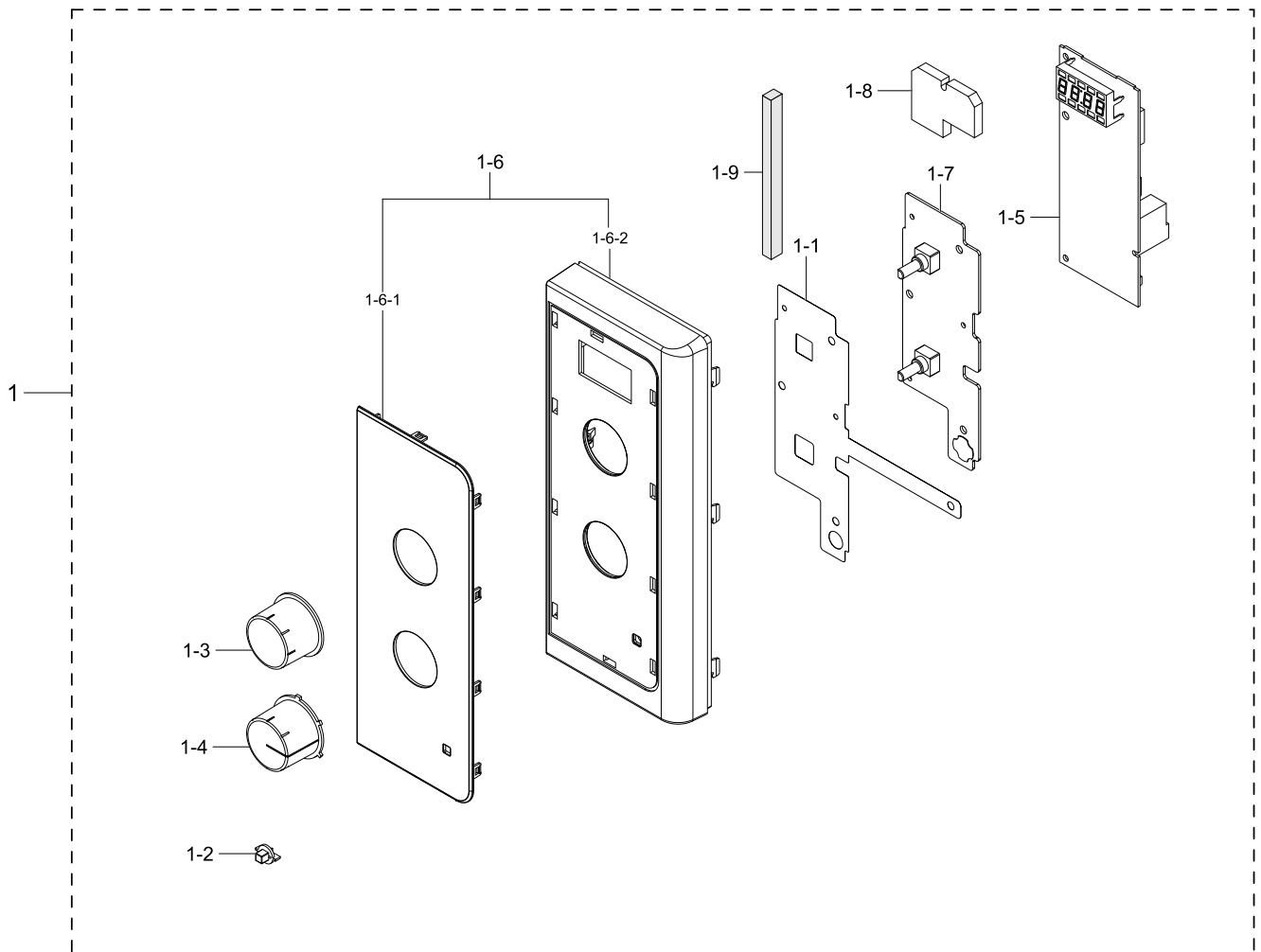


Parts List

No.	Lvl.	Loc.	Material Code	Description & Specification	SNA	Qty.
1	1	D049	DE94-03065B	ASSY DOOR; MS23F301EFS/EF,NEO SILVER,MUSE	SA	1
1-1	2	D006	DE64-02354A	DOOR C; 0.7ECO PLATFORM,PP,-,HB,T332,BLAC	SNA	1
1-2	2	D005	DE64-00221B	FILM DOOR; -, -,PET,T0.13,W264*L143,-, -,NC	SNA	1
1-3	2	D011	DE64-02430A	DOOR-KEY; 0.8 Chic,POM,BLACK,Chic project	SA	1
1-4	2	D007	DE61-00193A	SPRING-KEY; MW1255,HSWR-SWRH,PI0.6,D5.5,L	SNA	1
1-5	2	D037	DE94-03052B	ASSY DOOR A; MS23F301EFS/EF,NEO SILVER,MU	SA	1
1-5-1	3	D147	DE63-00766A	COVER HANDLE; 0.8 MUSE3,ABS,T2.3,-,GE BLA	SNA	1
1-5-2	3	D002	DE64-02728C	DOOR A; 0.8 MUSE3,ABS,T2,W380,L26.5,HB,HG	SNA	1
1-5-3	3	D019	DE64-02729A	HANDLE DOOR; 0.8 MUSE3,ABS,T2.3,W30.3,L22	SNA	1
1-5-4	3	D003	DE64-02740A	SCREEN DOOR; 0.8 MUSE3,SAN,T2.3,W368,HB,C	SNA	1
1-6	2	D004	DE94-02262C	ASSY DOOR E-COATING; MW73B/XEF,EGI-SECC T	SA	1

3. Assy Control

Exploded View



Parts List

No.	Lvl.	Loc.	Material Code	Description & Specification	SNA	Qty.
1	1	C082	DE94-03051B	ASSY CONTROL BOX; MS23F301EFS/EF,230V 50H	SNA	1
1-1	2	C107	DE01-00285A	FILM BOARD; MUSE3,AL,T0.12,W58,L167,AL	SNA	1
1-2	2	C035	DE64-02709A	BUTTON-CLOCK; MC32F604T,ABS,HB,GE BLACK	SA	1
1-3	2		DE64-02710A	KNOB DIAL; 1.1 CELLO,ABS,HB,GE BLACK,META	SA	1
1-4	2		DE64-02734B	KNOB DIAL SELECT; MS23F301EFS/EF,ABS,HB,G	SA	1
1-5	2	F316	DE92-03487K	ASSY PCB MAIN; MS23F301EAW/EF,RCS-SMS3L-2	SA	1
1-6	2	C001	DE94-03053C	ASSY CONTROL PANEL; MS23F301EFS/EF,NEO SI	SA	1

Exploded Views and Parts List

No.	Lvl.	Loc.	Material Code	Description & Specification	SNA	Qty.
1-6-1	3		DE63-00769B	COVER PANEL; MS23F301EFS/EF,SAN,T2.5,HB,B	SNA	1
1-6-2	3	C005	DE64-02735B	CONTROL PANEL; 0.8 MUSE3,ABS,W106.3,L260.	SNA	1
1-7	2	C084	DE96-01020A	ASSY KEY MODULE; MG23F302EAW,DKM-MS23E-00	SA	1
1-8	2	C058	DE63-00302A	CUSHION-PCB; PU FOAM,T5.0,W102,L78,BLACK,	SNA	1
1-9	2	M126	DE63-90064B	CUSHION; PU FOAM,T5X10X50	SNA	2