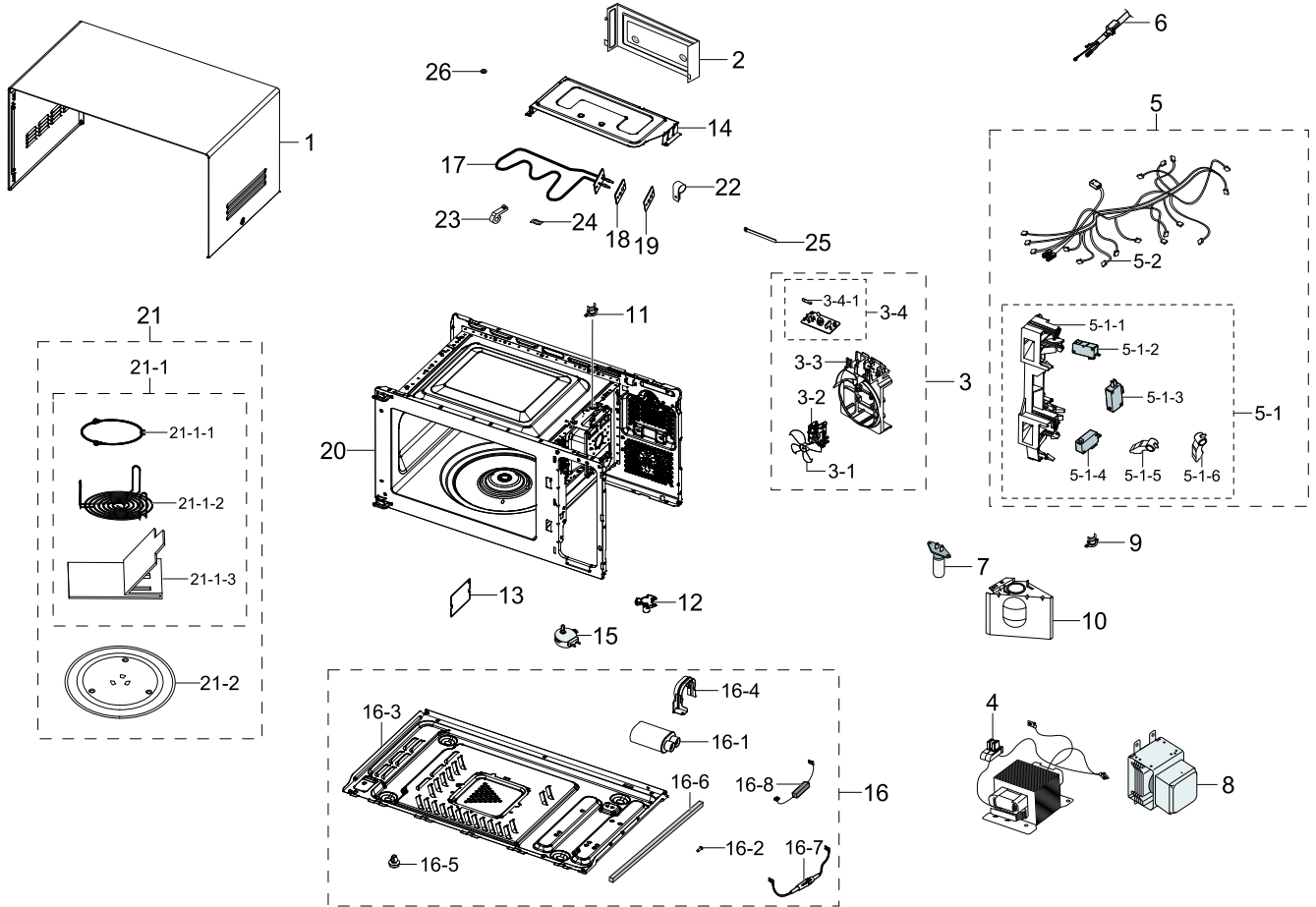


1. Main

Main

Exploded View



Parts List

No.	Lvl.	Loc.	Material Code	Description & Specification	SNA	Qty.
1	3	M001	DE64-02356G	PANEL OUTER; MW73B-S,EGI-SECC,T0.4,W287,L	SA	1
2	3	P186	DE63-00678A	COVER BACK; 0.8 chic,EGI-SECC,T0.4,GRILL	SNA	1
3	3	M020	DE96-01109J	ASSY MOTOR FAN; MG23K3513AW/EF,230V50Hz,2	SNA	1
3-1	4	H099	DE31-90057A	BLADE-FAN; 3RD-W,PP,T1.5,T1.5,NATURAL	SA	1
3-2	4	M023	DE31-10185A	MOTOR AC FAN; SMF-3RDEA1,2,230V,50Hz,20W,	SA	1
3-3	4		DE63-00788A	COVER BLOWER; ECO, NC2K,PP+TD30%,T1.2,HB,	SA	1
3-4	4	M017	DE96-00399A	ASSY NOISE FILTER; SN-UF11A,250V/15A,250V	SA	1

Exploded Views and Parts List

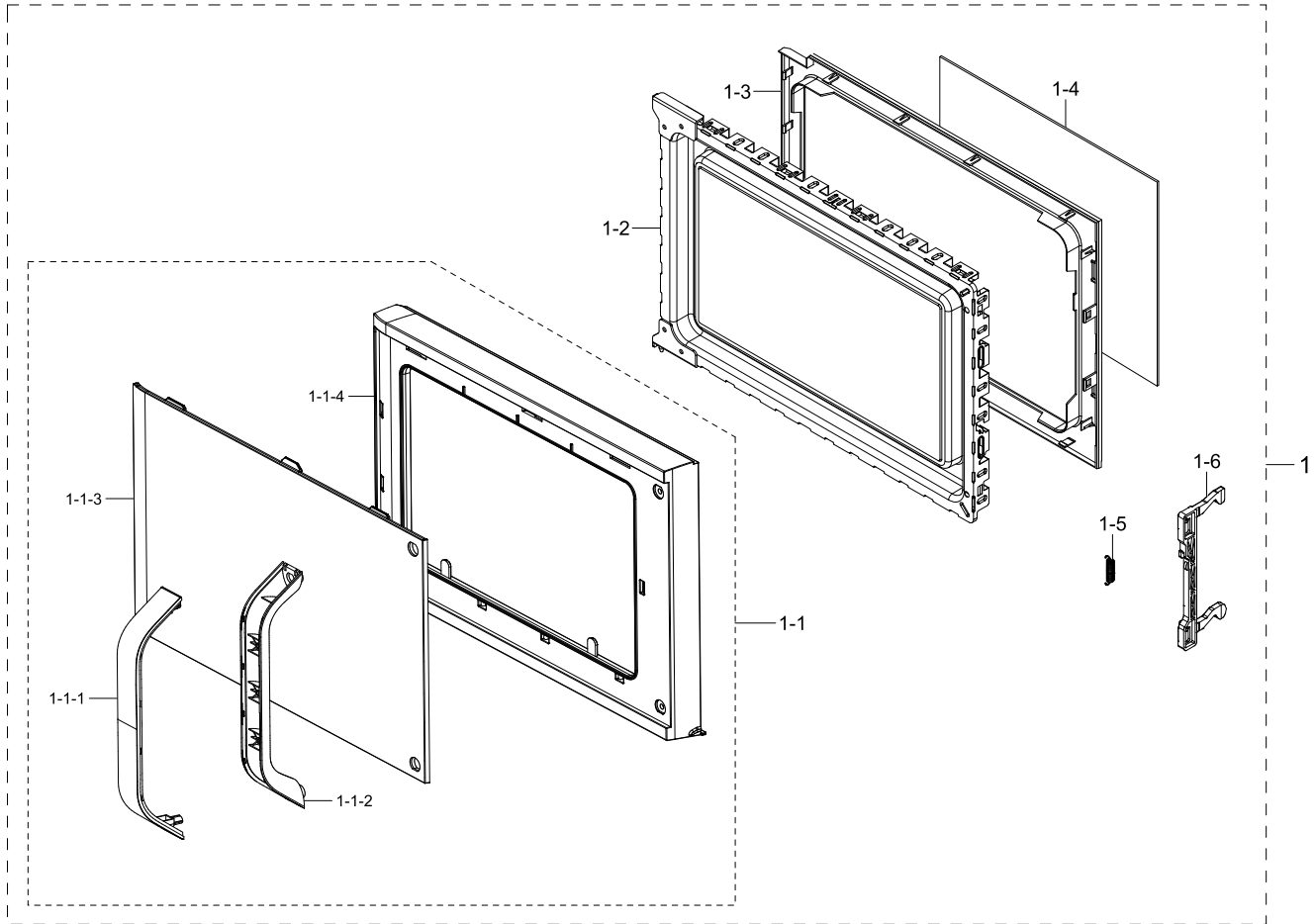
No.	Lvl.	Loc.	Material Code	Description & Specification	SNA	Qty.
3-4-1	5	M019	3601-001197	FUSE-CARTRIDGE; 250V,15A,SLOW-BLOW,CERAMI	SA	1
4	3	M038	DE26-00144A	TRANS H.V; SHV-EURO4-1,230V,2370/3.50V,AL	SA	1
5	2		DE94-03493R	ASSY HOLDER-WIRE; 0.8 ECO ELECT,HANDLE	SNA	1
5-1	3	B022	DE94-02317E	ASSY BODY LATCH; ECO HANDLE TYPE,1A DOOR	SA	1
5-1-1	4	B077	DE66-00231A	LATCH BODY; 0.8 CHIC,PP,NATURAL	SA	1
5-1-2	4	B048	3405-001034	SWITCH-MICRO; 125/250VAC,16A,200gf,SPST-N	SA	1
5-1-3	4	B046	3405-001032	SWITCH-MICRO; 125/250VAC,16A,200gf,SPDT,T	SA	1
5-1-4	4	S0021	3405-001116	SWITCH-MICRO; 125/250VAC,1A,200gf,SPST-NO	SA	1
5-1-5	4	B010	DE66-00093A	LEVER SWITCH-A; NC2000,PP+TD30%,TB53,NATU	SA	1
5-1-6	4	B011	DE66-00094A	LEVER SWITCH-B; NC2000,PP+TD30%,TB53,NATU	SA	1
5-2	3		DE96-00865D	ASSY WIRE HARNESS-MAIN; MG23K3515AS/EC,0.	SA	1
6	2	M015	DE96-00385E	POWER CORD-AT; H05VV-F 3x1.0mm2,GRY,EU3S,	SA	1
7	3	M036	4713-001524	LAMP-INCANDESCENT; 22x53,BK,20,230,CLEAR,	SA	1
8	3	M035	OM75P(31)ESGN	ASSY-MGT; ASSY-MGT		1
9	3	M436	DE47-20009A	THERMOSTAT; AC125/250V,15/10A,150C,60C,No	SA	1
10	3	M037	DE63-00651A	COVER AIR; 0.7ECO PLATFORM,GI-SGCC,T0.4	SA	1
11	3	M451	DE47-20032B	THERMOSTAT; AC125/250V,15/10A,85C,75C,Nor	SA	1
12	3	M034	DE67-00272A	COUPLER; PPS+GF40%,XP-2140C,GIANT,0103-00	SA	1
13	3	M051	DE71-00159A	COVER-CEILING; CN2835,MICA SHEET,T0.3,NC0	SA	1
14	3	M003	DE61-01318A	BRACKET-UPPER(GRILL); 0.8 Chic,EGI-SECC,T	SNA	1
15	3	M049	DE31-10154D	MOTOR AC DRIVE; 8Pole,21V,50-60Hz,200mA,3	SA	1
16	2	M155	DE94-04198R	ASSY BASE PLATE; MG23K3513AK/ET,GI-SGCC,T	SA	1
16-1	3	M039	2501-001011	C-OIL HIGH VOLTAGE; 910nF,2100V,BK,34x54x	SA	1
16-2	3	X009	6006-001176	SCREW-TAPTYPE; PH,+,WT,B,M4,L8,ZPC(WHT),S	SA	4

No.	Lvl.	Loc.	Material Code	Description & Specification	SNA	Qty.
16-3	3	M048	DE61-01262E	BASE PLATE; 0.7/0.8 ECO PLATFORM,GI-SGCC,	SA	1
16-4	3	M040	DE61-01263A	BRACKET-HVC; 0.7ECO PLATFORM,EGI-SECC,T0.	SA	1
16-5	3	M047	DE61-01585A	FOOT; 0.7/0.8 ECO SOLO/GRILL,RUBBER,BLACK	SA	1
16-6	3	P021	DE63-00008J	CUSHION SPONGE; PU FOAM,PUT-FOAM,T4,W8,L1	SNA	1
16-7	3	M042	DE91-70061C	ASSY H.V.FUSE; THV060T,5KV,700,SCREW,BLU,	SA	1
16-8	3	M527	DE59-00002A	DIODE-H.V; MWO,2CL4512H/CL04-12A,500mA,12	SA	1
17	3	H061	DE47-00016A	HEATER SHEATH-GRILL; AC230V,BKT,1100W(108	SA	1
18	3	M008	DE63-00049B	GASKET-HEATER; CELLO,BRASS,T1,NATURAL	SNA	1
19	3	M012	DE61-01529A	BRACKET HEATER; 1.1 CELLO,EGI-SECC,T0.8	SNA	1
20	2	P141	DE94-02322D	ASSY CAVITY-COATING; 0.8 CU.FT,GE83XR,0.8	SNA	1
21	2		DE90-02113F	ASSY ACCESSORY PARTS; MG23K3515AK/EF,SEMI	SNA	1
21-1	3		DE98-02207A	ASSY PACKING ACCESSORY; 0.8 GRILL, MUSE 3	SNA	1
21-1-1	4	F535	DE97-00193D	ASSY GUIDE ROLLER; RE-C21AW,PPS,PTEF,15.5	SA	1
21-1-2	4	T030	DE74-70071D	RACK WIRE; 0.7/NC2000,MSWR-SWRM,D230,H85,	SA	1
21-1-3	4		DE69-00191A	PAD-RACK; CE2877N,CB	SNA	1
21-2	3	T001	DE74-20102D	TRAY COOKING; G643C-1(3RD-0.6),GLASS,T6,L	SA	1
22	3	M483	DE65-20014A	CABLE CLAMP; NY-66,DA-6N	SNA	1
23	3	M535	DE61-30008A	SUPPORT HEATER; GE87H/BAL,ALUMINA,W31,L40	SA	1
24	3	M005	DE61-70060A	SPRING-PLATE; SK5,T0.5	SNA	1
25	3	M058	6052-000075	CABLE CLAMP; PI 5.0, L75mm,T0.3,Si,WHITE	SNA	1
26	3	H024	DE60-30016A	NUT FLANGE; MSWR-SWRM,MSWR10	SNA	2

2. Assy Door

Assy Door

Exploded View



Parts List

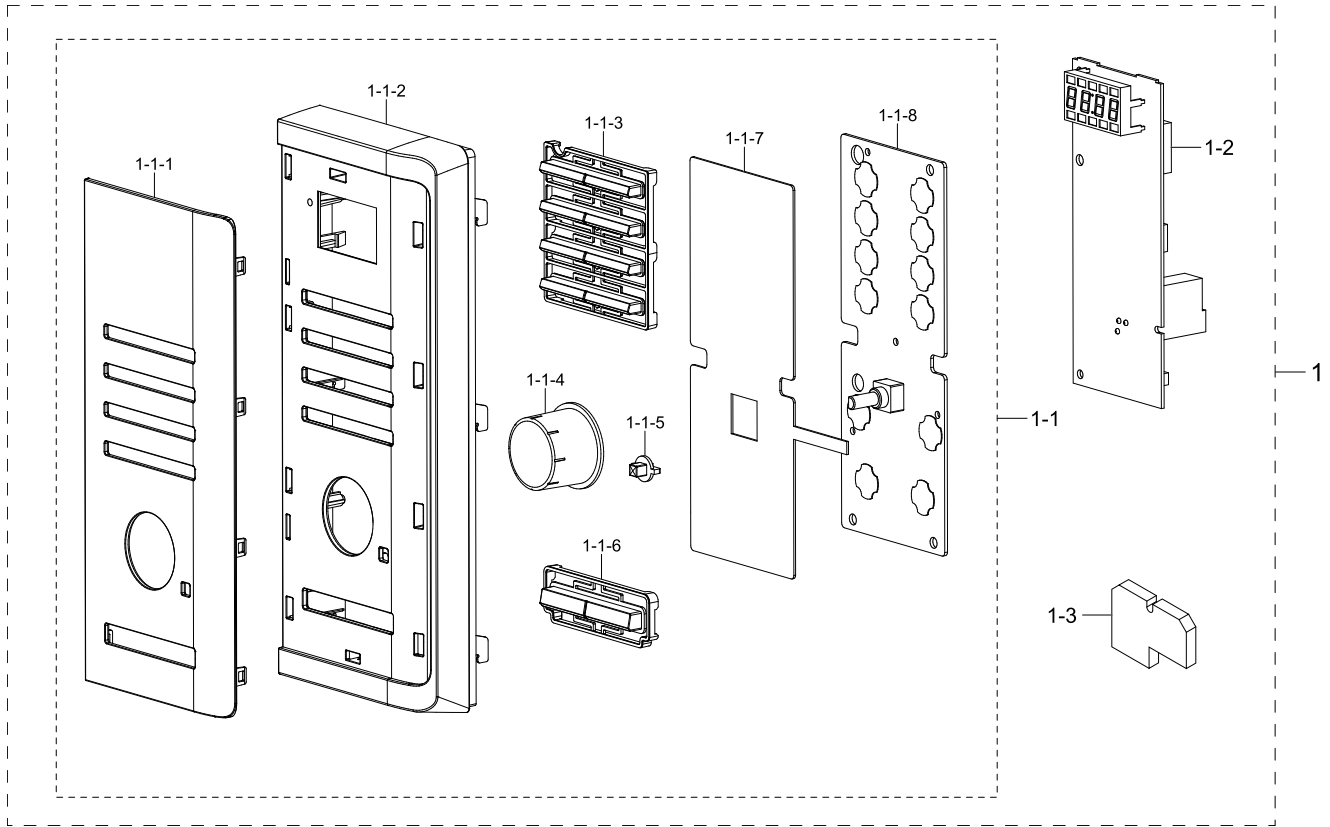
No.	Lvl.	Loc.	Material Code	Description & Specification	SNA	Qty.
1	2	D049	DE94-04638X	ASSY DOOR; MG23K3505AS/EE,ABS,SILVER,Semi	SA	1
1-1	3	D037	DE94-03556W	ASSY DOOR A; MS23K3555ES/BA,ABS,SILVER SP	SA	1
1-1-1	4	D147	DE63-00830A	COVER HANDLE; MW3500K,ABS,HB,GE BLACK,HG-	SNA	1
1-1-2	4	D019	DE64-02903A	HANDLE DOOR; MW3500K,ABS,W25,L225.3,HG-07	SNA	1
1-1-3	4	D003	DE64-02904E	SCREEN DOOR; MS23K3555ES/BA,SAN,W232.1,L3	SNA	1
1-1-4	4	D002	DE64-02905A	DOOR A; MW3500K,ABS,HB,HG-0760SR,GE BLACK	SNA	1
1-2	3	D004	DE94-02262C	ASSY DOOR E-COATING; MW73B/XEF,EGI-SECC T	SA	1

No.	Lvl.	Loc.	Material Code	Description & Specification	SNA	Qty.
1-3	3	D006	DE64-02354A	DOOR C; 0.7ECO PLATFORM,PP,W255.1,L375.7,	SNA	1
1-4	3	D005	DE64-00221E	FILM DOOR; -,CE2877N,PET,T0.15,W143,L264,	SNA	1
1-5	3	D007	DE61-00193A	SPRING-KEY; MW1255,HSWR-SWRH,PI0.6,D5.5,L	SNA	1
1-6	3	D011	DE64-02430A	DOOR-KEY; 0.8 Chic,POM,K300,BLACK,Chic pr	SA	1

3. Assy Control Box

Assy Control Box

Exploded View



Parts List

No.	Lvl.	Loc.	Material Code	Description & Specification	SNA	Qty.
1	2	C082	DE94-04720E	ASSY CONTROL BOX; MG23K3515AS/EC,230V/50H	SNA	1
1-1	3	C001	DE94-04715E	ASSY CONTROL PANEL; MG23K3515AS/EC,SILVER	SA	1
1-1-1	4		DE63-00831D	COVER PANEL; MG23K3515AS/EC,SAN,HB,BLACK	SNA	1
1-1-2	4		DE64-02906A	PANEL CONTROL; MG23K3575AS/EN,ABS,W-,L-,H	SNA	1
1-1-3	4		DE64-02732A	BUTTON SELECT-A; 0.8 MUSE3,ABS,W73.8, H73	SA	1
1-1-4	4	C025	DE64-02710C	KNOB; MUSE3,ABS,GE BLACK,NO METALIZING	SA	1
1-1-5	4		DE64-02691B	BUTTON SELECT-B; MC32F606T(1.1CELLO),ABS,	SNA	1
1-1-6	4	C035	DE64-02709A	BUTTON-CLOCK; MC32F604T,ABS,D30, H20,HB,G	SNA	1

No.	Lvl.	Loc.	Material Code	Description & Specification	SNA	Qty.
1-1-7	4	C107	DE01-00286A	FILM BOARD; Al,T0.1,W74,L182,AL,N	SNA	1
1-1-8	4	C084	DE96-01021A	ASSY KEY MODULE; MG23F302TAS,DKM-MS23T-00	SA	1
1-2	3	F316	DE92-03942G	ASSY PCB MAIN; RCS-SMS3L-382,MW3500K-PJT,	SA	1
1-3	3	C058	DE63-00302A	CUSHION-PCB; PU FOAM,T5.0,W102,L78,BLACK,	SNA	1