



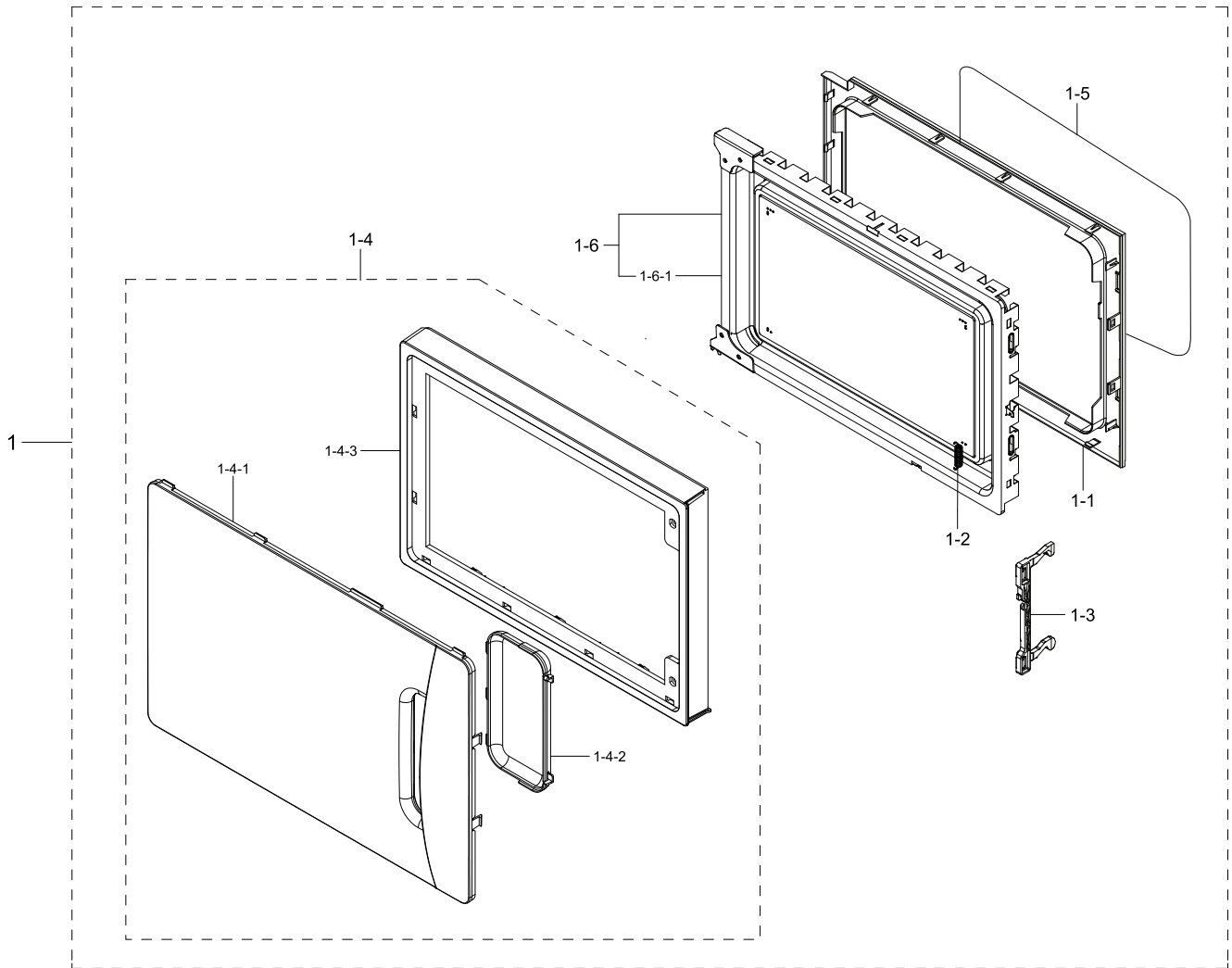
## Exploded Views and Parts List

No.	Lvl.	Loc.	Material Code	Description & Specification	SNA	Qty.
2-1	2		DE64-02356A	PANEL OUTER-PRESS; 0.7ECO PLATFORM,EGI-SE	SNA	1
3	1	M015	DE96-00299B	CBF-POWER CORD; AT,U.K/S'PORE,GB3F,,,,Bla	SA	1
4	2	M017	DE96-00822A	ASSY NOISE FILTER; SN-ESMA,250V/10A,250V/	SA	1
4-1	3	M019	3601-000448	FUSE-CARTRIDGE; 250V,10A,SLOW-BLOW,CERAMI	SC	1
5	2	M020	DE96-00848K	ASSY MOTOR FAN; GE73M/XEO,SMF-3RDEA1,230V	SNA	1
5-1	3	H099	DE31-90057A	BLADE-FAN; 3RD-W,PP,T1.5,T1.5	SA	1
5-2	3	M023	DE31-10185A	MOTOR AC FAN; SMF-3RDEA1,2,230V,50Hz,20W,	SA	1
5-3	3		DE63-00788A	COVER BLOWER; ECO, NC2K,PP,T1.2,HB,NATURA	SA	1
6	2	M440	DE47-20008A	THERMOSTAT; 125/250V,15A/10A,100,60,NORMA	SA	1
7	2	M034	DE67-00258A	COUPLER; 0.7ECO PLATFORM,PPS,BROWN,0103-0	SA	1
8	2	M039	2501-001011	C-OIL HIGH VOLTAGE; 910nF,2100V,BK,34x54x	SA	1
9	2	M036	4713-001524	LAMP-INCANDESCENT; 22x53,BK,20,230,CLEAR,	SA	1
10	2	M037	DE63-00651A	COVER AIR; 0.7ECO PLATFORM,GI-SGCC,T0.4	SA	1
11	2	P021	DE63-00008J	CUSHION SPONGE; PU FOAM,PUT-FOAM,T4,W8,L1	SNA	1
12	2	M051	DE71-00159A	COVER-CEILING; CN2835,MICA SHEET,T0.3,W11	SA	1
13	2	M040	DE61-01263A	BRACKET-HVC; 0.7ECO PLATFORM,EGI-SECC,T0.	SA	1
14	2	M048	DE61-01262A	BASE PLATE; 0.7ECO PLATFORM,GI-SGCC,T0.5	SNA	1
15	2	M049	DE31-10154D	MOTOR AC DRIVE; 8,21V,50/60Hz,3W,5/6rpm	SA	1
16	2	T001	DE74-00027A	TRAY COOKING; NC2000,NC06,GLASS,T5,255mm,	SA	1
17	1	P141	DE94-02251C	ASSY CAVITY-COATING; CMO,0.7,ENEMAL,ECO P	SNA	1
17-1	2	Z778	DE94-02323C	ASSY CAVITY-WELDING; ME731K/XSV,0.7,ENAME	SNA	1
18	2	T165	DE94-02266D	ASSY GUIDE ROLLER; MW73BR/BWT (ECO),SPS,T	SA	1
18-1	3	T017	DE66-00089D	ROLLER; NC2000,TEFLON,PI15.5,W5,WHT	SNA	3
18-2	3	T107	DE61-01255A	GUIDE ROLLER; 0.7ECO PLATFORM,SPS,-,-,XAR	SNA	1
19	2	M038	DE26-00160A	TRANS H.V; SHV-EPT06A,230V,2280V/3.85V,AL	SA	1
20	2	M527	DE59-00002A	DIODE-H.V; MWO,2CL4512H/CL04-12A,500mA,12	SA	1

No.	Lvl.	Loc.	Material Code	Description & Specification	SNA	Qty.
21	2	M042	DE96-00831A	ASSY H.V.FUSE; 5KV,650mA,Case-Cover,GRY,#	SA	1
22	2	M035	OM75S(31)ESGN	ASSY-MGT; ASSY-MGT		1

## 2. Assy Door

### Exploded View



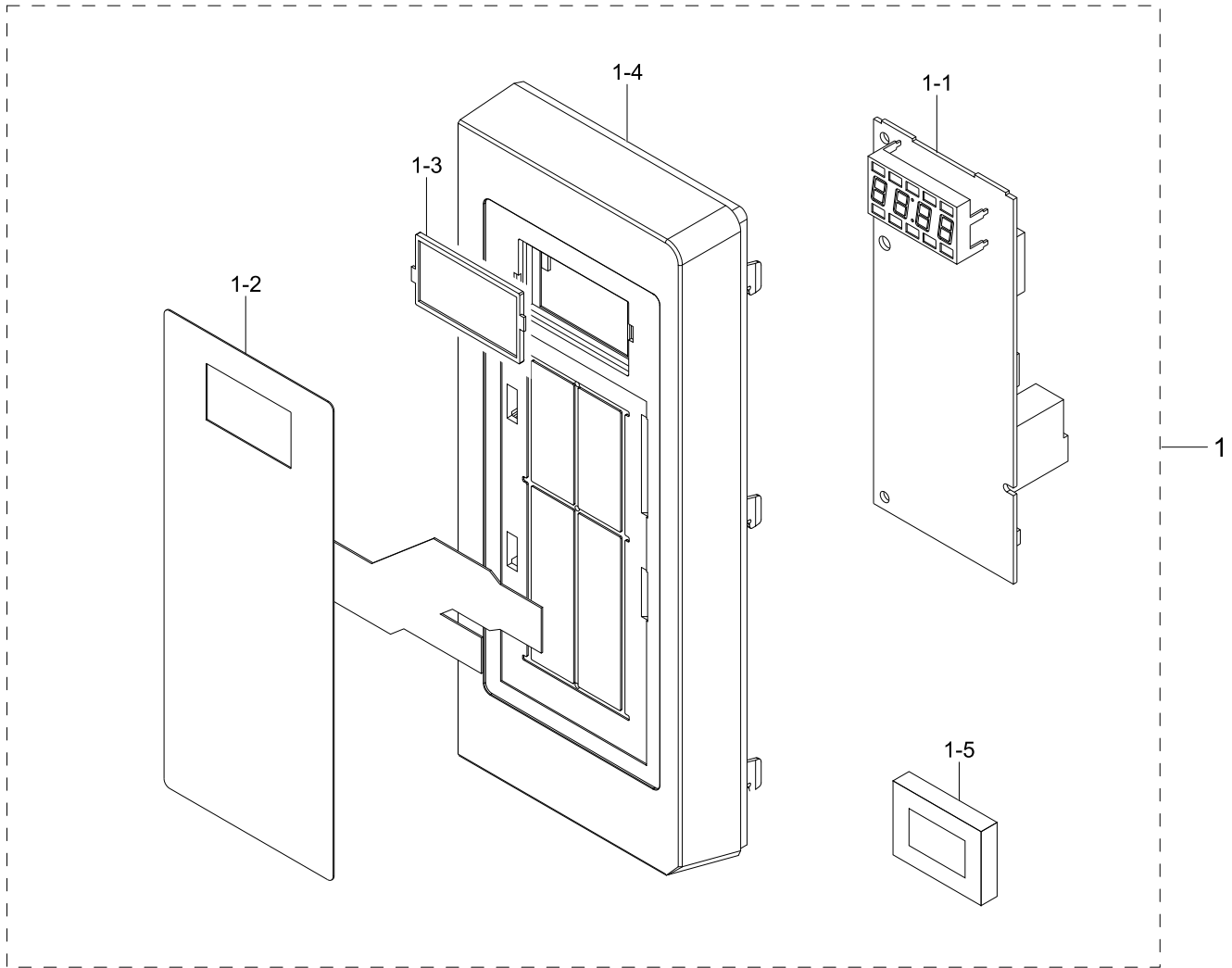
### Parts List

No.	Lvl.	Loc.	Material Code	Description & Specification	SNA	Qty.
1	1	D049	DE94-02285C	ASSY DOOR; MW712AR/BWT,WHITE,TRENDY, SEMA	SA	1
1-1	2	D006	DE64-02354A	DOOR C; 0.7ECO PLATFORM,PP,-,HB,T332,BLAC	SNA	1
1-2	2	D007	DE61-00193A	SPRING-KEY; MW1255,HSWR-SWRH,PI0.6,D5.5,L	SNA	1
1-3	2	D011	DE64-02430A	DOOR-KEY; 0.8 Chic,POM,BLACK,Chic project	SA	1
1-4	2	D037	DE94-02360A	ASSY DOOR A; MW73AR,ABS HG0760SR,WHITE W9	SA	1
1-4-1	3	D003	DE64-02415A	SCREEN DOOR; TRENDY,SAN,BLACK	SNA	1
1-4-2	3	D026	DE63-00674A	COVER HANDLE; TRENDY,ABS,WHITE,Trendy Mod	SNA	1

No.	Lvl.	Loc.	Material Code	Description & Specification	SNA	Qty.
1-4-3	3	D002	DE64-02412A	DOOR A; TRENDY,ABS,WHITE,Trendy Model	SA	1
1-5	2	D005	DE64-00221B	FILM DOOR; -,-,PET,T0.13,W264*L143,-,-,NC	SNA	1
1-6	2	D004	DE94-02262C	ASSY DOOR E-COATING; MW73B/XEF,EGI-SECC T	SA	1
1-6-1	3	D201	DE94-02262D	ASSY DOOR E-WELDING; MW73B/XEF,EGI-SECC T	SNA	1

### 3. Assy Control

**Exploded View**



**Parts List**

No.	Lvl.	Loc.	Material Code	Description & Specification	SNA	Qty.
1	1	C082	DE94-02284T	ASSY CONTROL BOX; ME73A/XEU,240V/50Hz,WHI	SNA	1
1-1	2	F316	DE92-03439N	ASSY PCB MAIN; RCS-SMS3L-296,TRENDY-PJT,3	SA	1
1-2	2	C004	DE34-00366L	SWITCH MEMBRANE; ME73A/XEU,PET,240V/50Hz,	SA	1
1-3	2	C009	DE64-01986A	WINDOW-DISPLAY; LATIN2,SAN,HB,CR-5381	SNA	1
1-4	2	C377	DE64-02413A	CONTROL-PANEL(MEMB); TRENDY MODEL,ABS,WHI	SA	1
1-5	2	P021	DE63-00408A	CUSHION SPONGE; PU FOAM,BLACK,PCB SPONGE,	SA	1