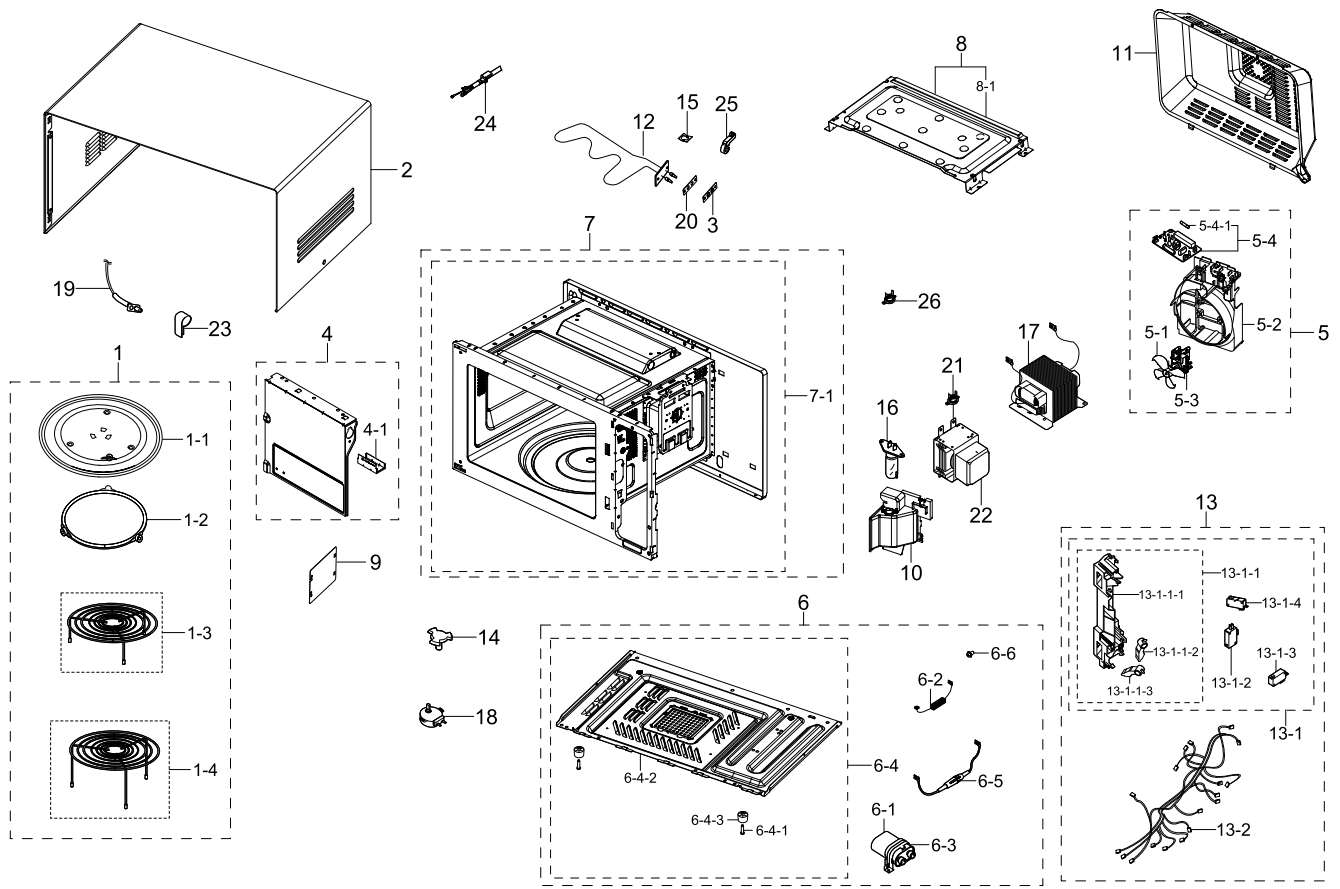


# 1. MC28H5015AK/EF

## Exploded View



## Parts List

No.	Lvl.	Loc.	Material Code	Description & Specification	SNA	Qty.
1	1		DE90-01649A	ASSY ACCESSORY PARTS; MC28H502MAW/BW,H500	SNA	1
1-1	2	T001	DE74-20015G	TRAY COOKING; 3RD-1.0,GLASS,T6,PI316,1115	SA	1
1-2	3	T150	DE92-90189S	ASSY GUIDE ROLLER; JES831,SPS(C832-V0),-	SA	1
1-3	3	T009	DE97-00136B	ASSY WIRE RACK; CK95,-,-,LOW-RACK	SA	1
1-4	3	T010	DE97-00136E	ASSY WIRE RACK; MG104WA,114,FOOT,VE-TYPE	SA	1
2	2	M001	DE64-01161Y	PANEL OUTER; MC28H5013AK/BW,EGI-SECC,T0.6	SA	1
3	2	M008	DE63-00049B	GASKET-HEATER; CELLO,BRASS,T1,NATURAL	SNA	1
4	2	M053	DE94-03571F	ASSY GUIDE AIR; 1.0 GRL NON SENSOR,EGI-SE	SNA	1
4-1	3		DE61-01738A	BRACKET GUIDE; MWO,EGI-SECC,T0.4,W23.8,L5	SA	1

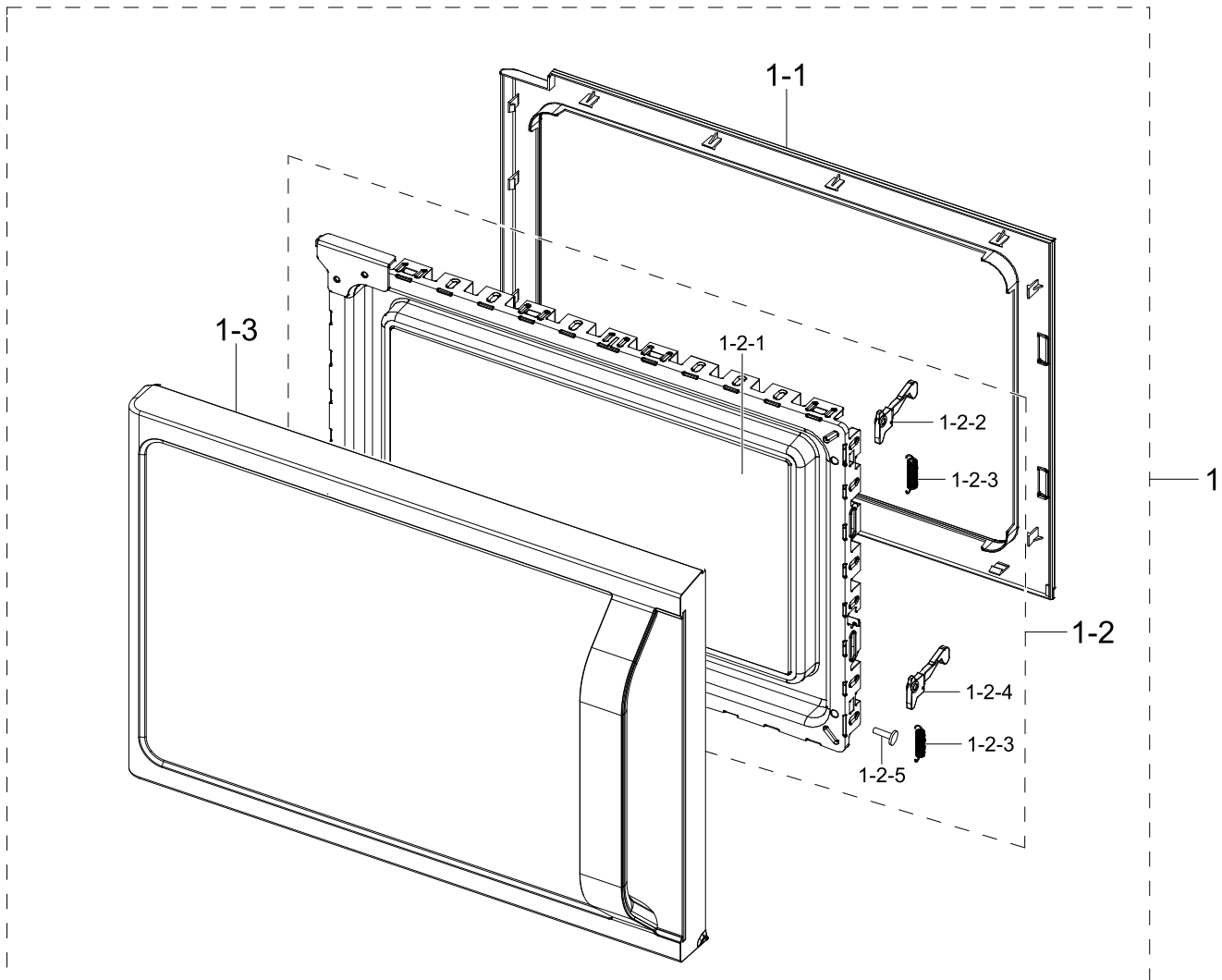
## Exploded Views and Parts List

No.	Lvl.	Loc.	Material Code	Description & Specification	SNA	Qty.
5	2	M020	DE96-01099A	ASSY MOTOR FAN; CE1071AR,SMF-3RDEA1,230V,	SNA	1
5-1	3	H096	DE31-90051A	BLADE-FAN; CE10**,PP,NATURAL,MT44	SA	1
5-2	3	M022	DE61-10006A	COVER BLOWER; PP,PP(TB53),3RD-W(1.3)	SNA	1
5-3	3	M023	DE31-10185A	MOTOR AC FAN; SMF-3RDEA1,2,230V,50Hz,20W,	SA	1
5-4	3	M017	DE96-00399A	ASSY NOISE FILTER; SN-UF11A,250V/15A,250V	SA	1
5-4-1	4	M019	3601-001197	FUSE-CARTRIDGE; 250V,15A,SLOW-BLOW,CERAMI	SA	1
6	2	M155	DE96-00637P	ASSY BASE PLATE; MC287TCTCSQ	SNA	1
6-1	3	M039	2501-001015	C-OIL HIGH VOLTAGE; 1000nF,2100V,BK,34x54	SA	1
6-2	3	M527	DE59-00002A	DIODE-H.V; MWO,2CL4512H/CL04-12A,500mA,12	SA	1
6-3	3	M040	DE61-50106A	BRACKET-HVC; EGI-SECC,T0.8	SA	1
6-4	3	M045	DE96-00295M	ASSY BASE PLATE SUB; 5TH/1.0 CONVECTION,-	SNA	1
6-4-1	4	M046	DE60-60025A	PIN-FOOT; MC28H5013AK/BW,PP,NATURAL	SA	4
6-4-2	4	M048	DE61-00557M	BASE PLATE; 5TH/1.0 CONVECTION,GI-SGCC,T0	SA	1
6-4-3	4	M047	DE61-40065A	FOOT; PP,T2x22x17mm,BLACK,0103-003529	SA	4
6-5	3	M042	DE91-70061A	ASSY H.V.FUSE; THV060T,5KV,800,SCREW,WHT,	SA	1
6-6	3	X009	6006-001176	SCREW-TAPTYPE; PH,+,WT,B,M4,L8,ZPC(WHT),S	SA	1
7	1	Y103	DE94-03133A	ASSY CAVITY COATING; MC28H502MAW/BW,1.0 c	SNA	1
7-1	2		DE94-03134A	ASSY CAVITY WELDING; MC28H502MAW/BW,1.0CU	SNA	1
8	2	P214	DE94-03178A	ASSY BRACKET UPPER; MC28H5013AK/BW,EGI-SE	SNA	1
8-1	3	M003	DE61-01191A	BRACKET-UPPER; 1.0value convec,EGI-SECC,T	SA	1
9	2	M051	DE63-00237A	COVER-CEILING; CE297DN-5,MICA SHEET,T0.3,	SA	1
10	2	M037	DE63-00616A	COVER AIR; CE107V/XEN,PP,HB	SA	1
11	2	P186	DE63-00617A	COVER BACK; 1.0 VALUE CONVECTION,GI-SGCC,	SA	1
12	2	H071	DE47-00055B	HEATER SHEATH-GRILL; AC220V,BKT,1350W,SUS	SA	1
13	2		DE94-03465Q	ASSY HOLDER-WIRE; MW5000H MC28H5015AK/EF,	SNA	1
13-1	3	B022	DE94-03750A	ASSY BODY LATCH; NC2K HANDLE TYPE(1.0 CON	SNA	1
13-1-1	4	B024	DE96-00120T	ASSY BODY LATCH SUB; PG117R(TBMO/SIDE),NY	SA	1

No.	Lvl.	Loc.	Material Code	Description & Specification	SNA	Qty.
13-1-1-1	5		DE72-00137D	LATCH BODY; MC1015WB/BB,PA66,NATURAL,KN33	SNA	1
13-1-1-2	5	B010	DE66-00093B	LEVER SWITCH-A; PG113R,PA66,KN3322VO,BLAC	SA	1
13-1-1-3	5	B011	DE66-00094B	LEVER SWITCH-B; PG113R,PA66,KN3311,NTR	SA	1
13-1-2	4	B046	3405-001032	SWITCH-MICRO; 125/250VAC,16A,200gf,SPDT,T	SA	1
13-1-3	4	B048	3405-001034	SWITCH-MICRO; 125/250VAC,16A,200gf,SPST-N	SA	1
13-1-4	4	S0021	3405-001116	SWITCH-MICRO; 125/250VAC,1A,200gf,SPST-NO	SA	1
13-2	3		DE96-00937E	ASSY WIRE HARNESS-MAIN; MC28M6055CK/EC,23	SA	1
14	2	M034	DE67-60081A	COUPLER; 3RD-1.0/1.3,PPS,BROWN	SA	1
15	2	M005	DE61-70060A	SPRING-PLATE; SK5,T0.5	SNA	1
16	2	M036	4713-001524	LAMP-INCANDESCENT; 22x53,BK,20,230,CLEAR,	SA	1
17	2	M038	DE26-00152A	TRANS H.V; SHV-EPT10A,230V,2385V/3.45V,AL	SA	1
18	2	M495	DE31-10170B	MOTOR AC DRIVE; SM16FHK36P1AW3,8Pole,220V	SA	1
19	2	M054	DE32-10013C	SENSOR-THERMISTOR;PTM-K312-S21,-20°C - 31	SA	1
20	2	M012	DE61-01529A	BRACKET HEATER; 1.1 CELLO,EGI-SECC,T0.8	SNA	1
21	2	M436	DE47-20009A	THERMOSTAT; AC125/250V,15/10A,150C,60C,No	SA	1
22	2	M035	OM75P(31)ESGN	ASSY-MGT; ASSY-MGT		1
23	2	M483	DE65-20014A	CABLE CLAMP; NY-66,DA-6N	SNA	1
24	2	M015	DE96-00385A	POWER CORD-AT; H05VV-F 3x1.5mm2,GRY,EU3S,	SA	1
25	2	M113	DE61-01531A	SUPPORT HEATER; 1.1 CELLO,ALUMINA,H11,WHI	SA	1
26	2	M448	DE47-20017B	THERMOSTAT; AC125/250V,15/10A,150C,140C,N	SA	1

## 2. Assy Door

### Exploded View



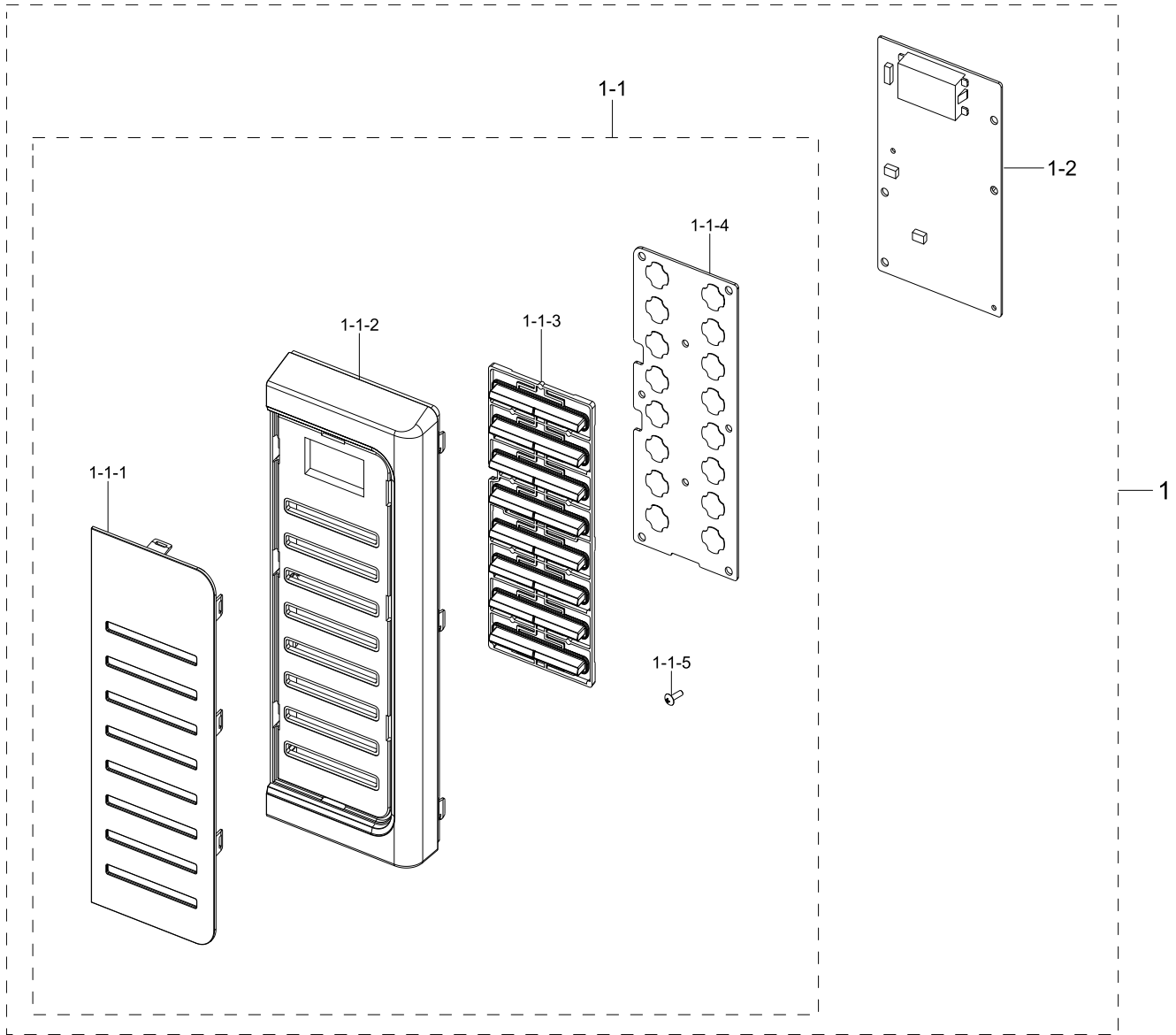
### Parts List

No.	Lvl.	Loc.	Material Code	Description & Specification	SNA	Qty.
1	1		DE94-03131W	ASSY DOOR; MC28H5015AK/EF,PC,BLACK,MBO,No	SA	1
1-1	2	D006	DE64-02267A	DOOR C; CE107V/XEN,PBT,HB,K21249,BLACK	SA	1
1-2	2		DE94-02226E	ASSY DOOR E SUB; MC28H5013AK/EN,CR-SPCC,B	SNA	1
1-2-1	3	D204	DE94-02172A	ASSY DOOR E-SEALANT; 1.0 CONV,SCP,BLACK,N	SA	1
1-2-2	3	D012	DE64-01353A	KEY DOOR-UP; SCOUT,PA66,BLACK,UPPER	SA	1
1-2-3	3	D007	DE61-01406A	SPRING ETC-KEY; SWP,0.7,4.6,6,17	SNA	2
1-2-4	3	D014	DE64-01352A	KEY DOOR-BOTTOM; SCOUT,PA66,BLACK,LOWER	SA	1

No.	Lvl.	Loc.	Material Code	Description & Specification	SNA	Qty.
1-2-5	3	D017	DE60-60008A	PIN HINGE; MSW,MSW10,MSW	SNA	2
1-3	2	D037	DE94-03132B	ASSY DOOR A; MC28H502TAK/EF,BLACK,PC,BLAC	SA	1

### 3. Assy Control Box

**Exploded View**



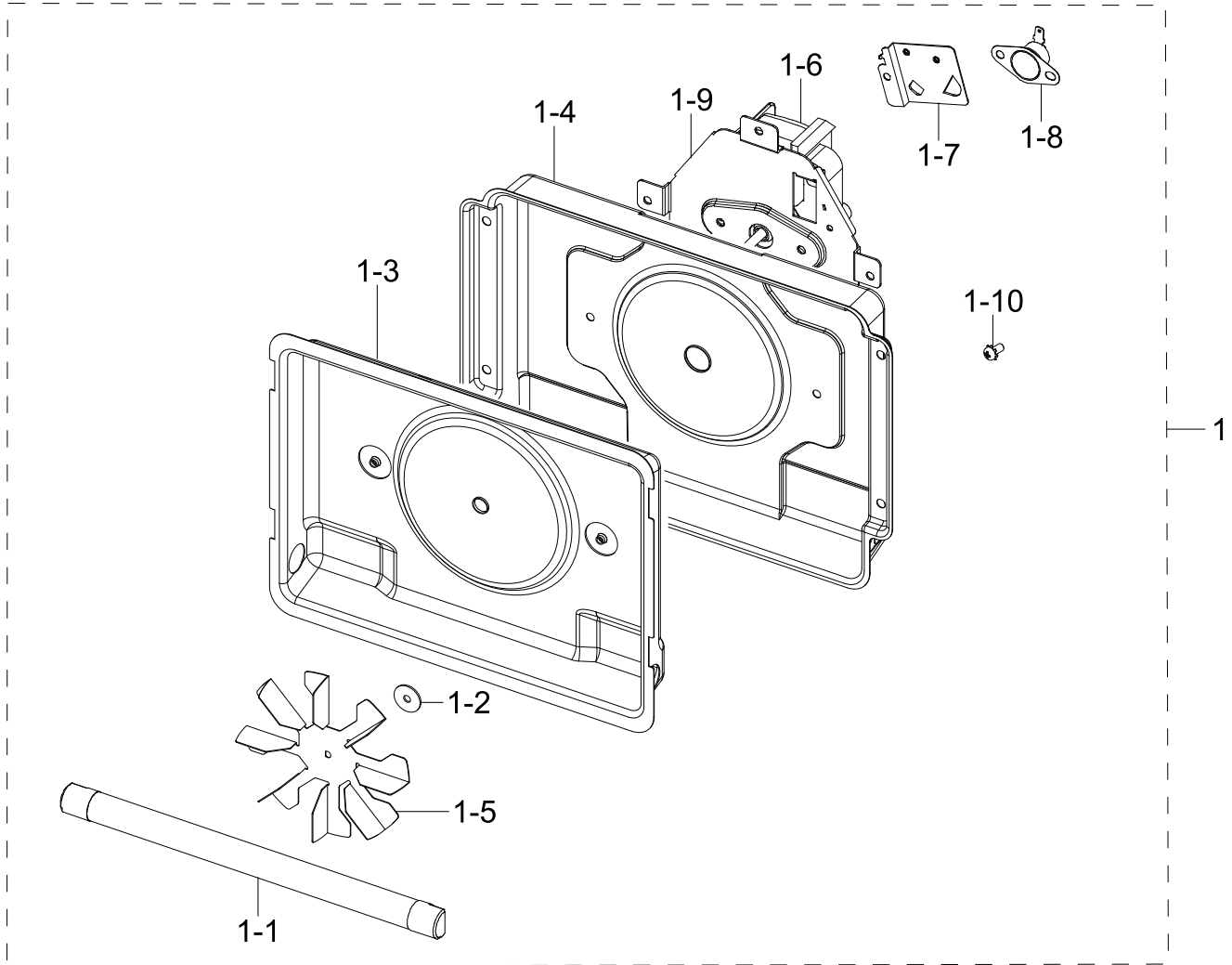
**Parts List**

No.	Lvl.	Loc.	Material Code	Description & Specification	SNA	Qty.
1	1	C082	DE94-03169A	ASSY CONTROL BOX; MC28H5015AK/EF,230V/50H	SNA	1
1-1	2	C001	DE94-03149A	ASSY CONTROL PANEL; MC28H502TAK/EF,BLACK,	SA	1
1-1-1	3		DE63-00783A	COVER PANEL; MW-H500G,SAN,T2,HB,BLACK SMO	SNA	1
1-1-2	3	C005	DE64-02789B	CONTROL PANEL; MW-H500G,PC,281.6,104.8,HB	SNA	1
1-1-3	3		DE64-02791A	BUTTON SELECT; MW-H500G,ABS,HB,GE BLACK	SNA	1

No.	Lvl.	Loc.	Material Code	Description & Specification	SNA	Qty.
1-1-4	3	C084	DE96-01039A	ASSY KEY MODULE; MC28H502TAK/EF,DKM-Value	SA	1
1-1-5	3	X009	6002-001614	SCREW-TAPPING; PWH,+,2S,M3,L8,ZPC(WHT),SW	SNA	8
1-2	2		DE92-04322H	ASSY PCB MAIN; RCS-SMS100L-67_DE92-03440N	SA	1

# 4. Assy Casing

## Exploded View



## Parts List

No.	Lvl.	Loc.	Material Code	Description & Specification	SNA	Qty.
1	2	H067	DE94-02938C	ASSY CASING; MC32F606TCT,800W,1.1CELLO(CO	SA	1
1-1	3	M295	DE47-00048A	HEATER QUARTZ-CONVECTION; AC230V,600W,QUA	SA	1
1-2	3	H011	DE60-40014B	WASHER-C MOTOR; EGI-SECC,T1.0,ZNC3	SNA	1
1-3	3	H014	DE61-01188A	BRACKET CASING; 1.0 VALUE CONVECTION,ALCO	SNA	1
1-4	3	H015	DE63-00618A	COVER CASING; 1.0value convec,EGI-SECC,T0	SA	1
1-5	3	H098	DE31-00060A	BLADE-FAN; 1.0value convec,ALCOAT-SA1C,T0	SA	1
1-6	3	H001	DE31-00049C	MOTOR AC CONVECTION; TRIO,SMC-E7103B,2,23	SA	1
1-7	3	H012	DE61-01371A	BRACKET-TCO; SMH9151B/XAA,EGI-SECC	SA	1



No.	Lvl.	Loc.	Material Code	Description & Specification	SNA	Qty.
1-8	3	M436	DE47-20009A	THERMOSTAT; AC125/250V,15/10A,150C,60C,No	SA	1
1-9	3	P082	DE61-00956A	BRACKET MOTOR; CE1071AR/BWT,EGI-SECC,T1,W	SA	1
1-10	3	X009	6006-001176	SCREW-TAPTYPE; PH,+,WT,B,M4,L8,ZPC(WHT),S	SA	1