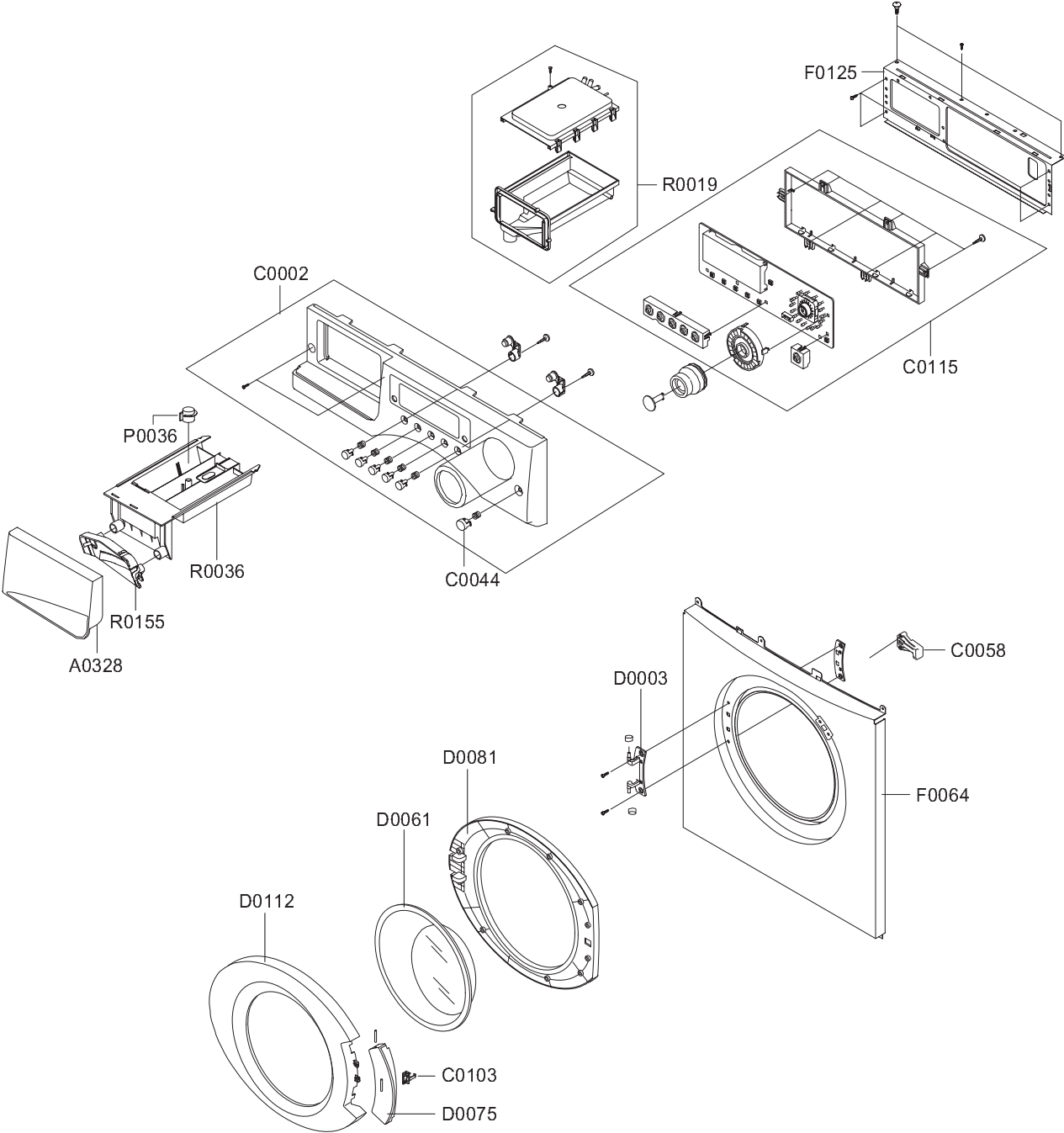
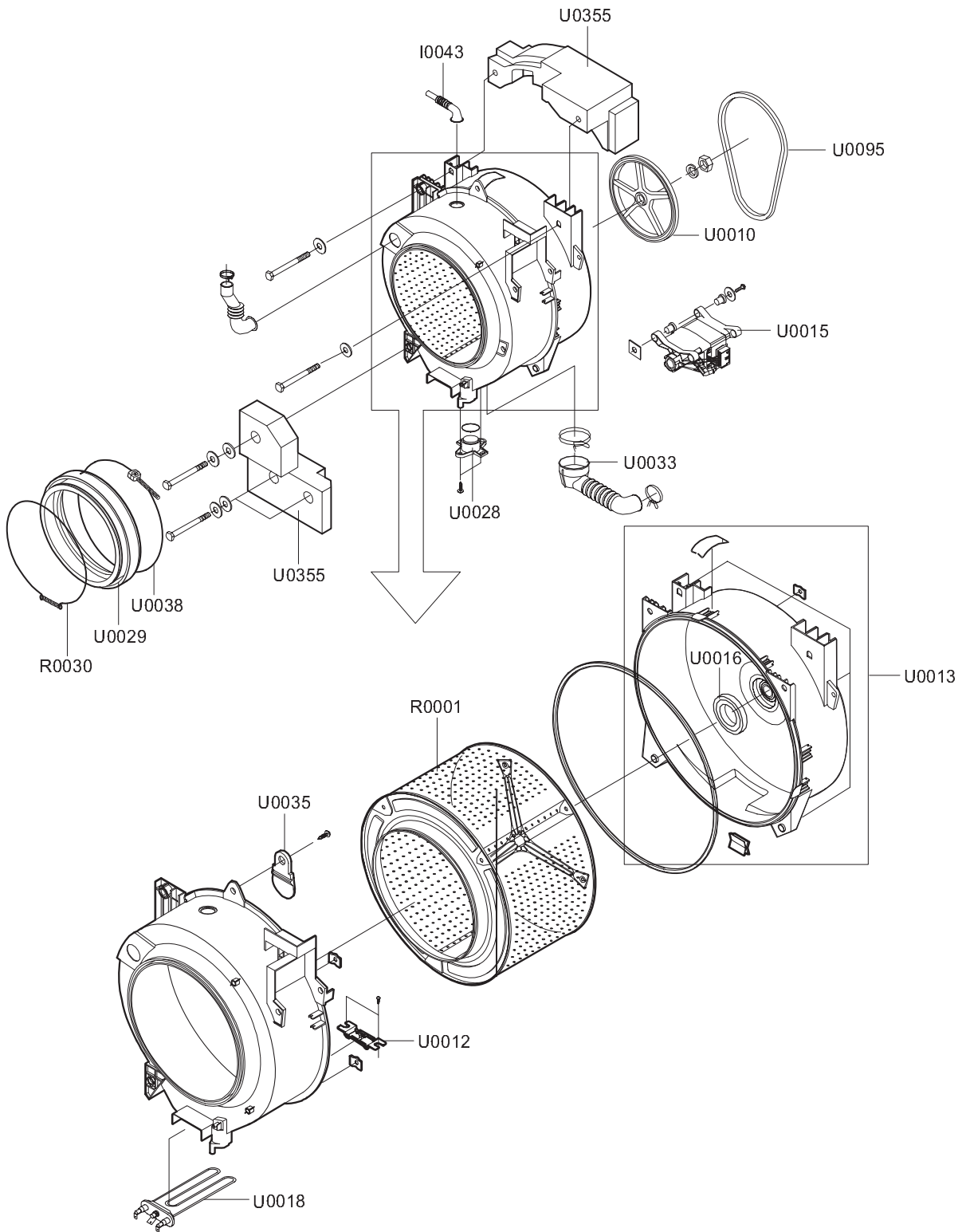


15. TOP(FRONT) - EXPLODED VIEW



15. TUB - EXPLODED VIEW



15. CASE - EXPLODED VIEW

