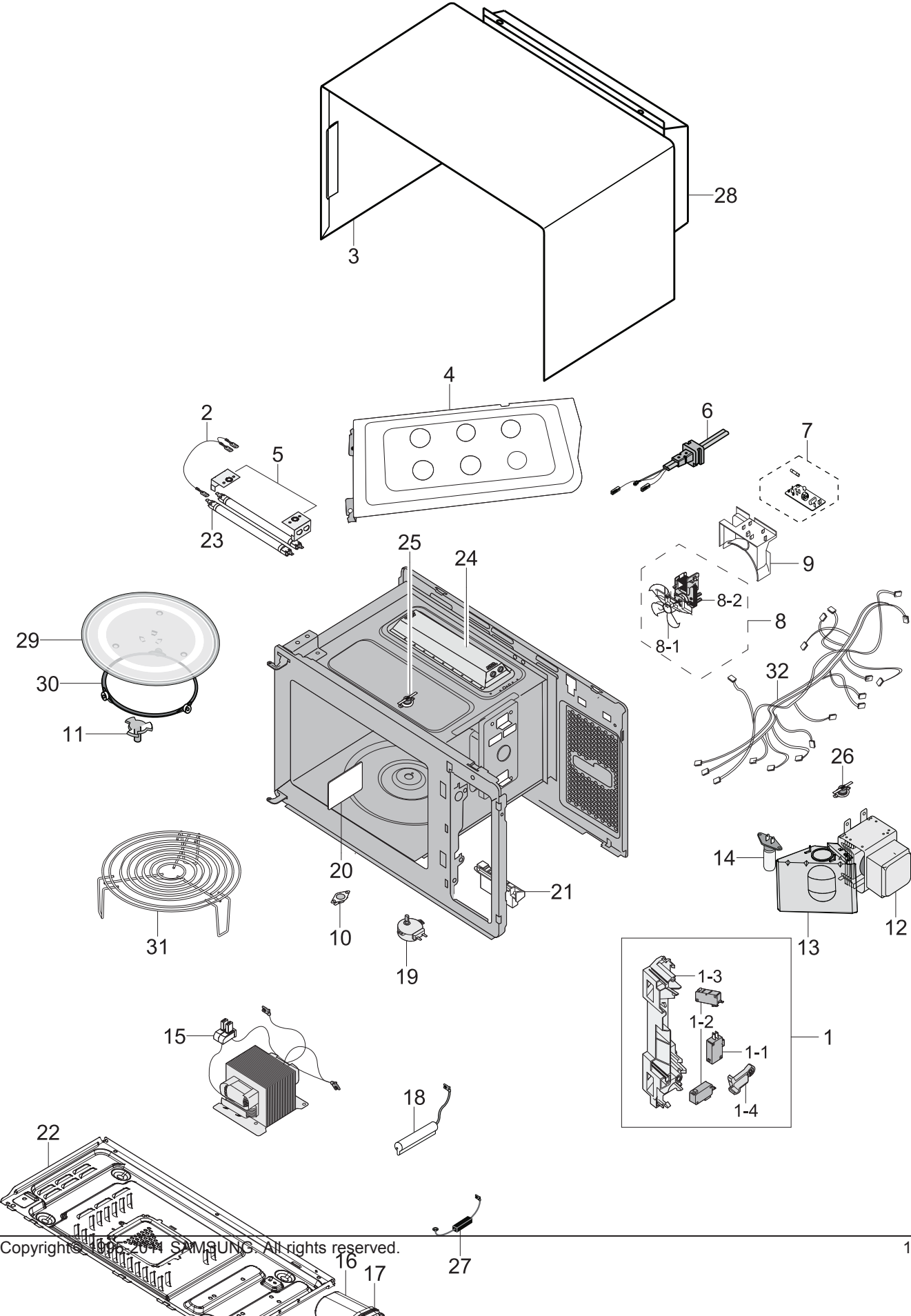


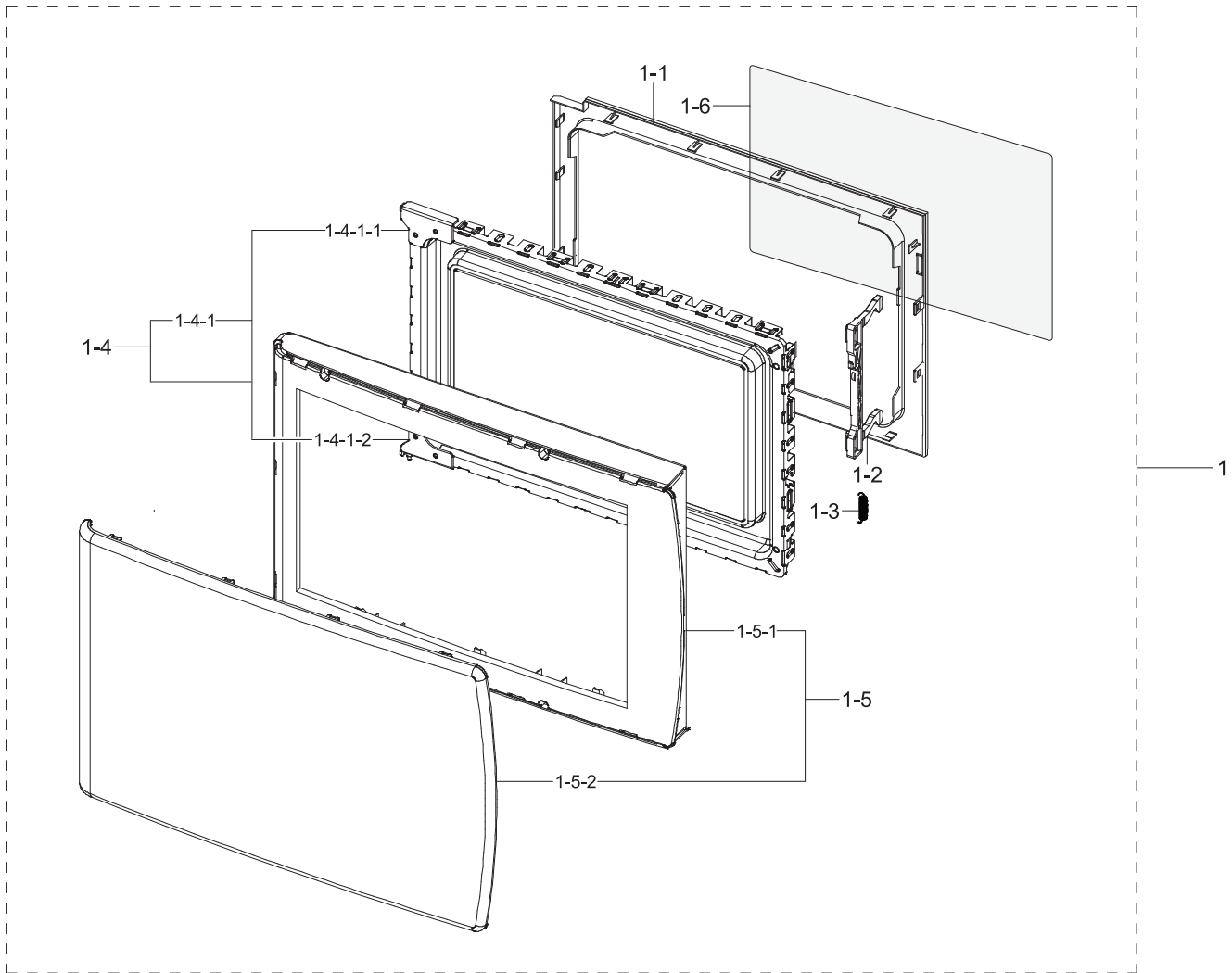
# 1. Main

## Exploded View



# 1.1. Assy Door

## Exploded View



## Parts List

No.	Parent	Lvl.	Loc.	Material Code	Description & Specification	SNA	Qty.
1	GW731K-B/BOL	1	D049	DE94-02426C	ASSY DOOR; MW711K-B/XEF,BLACK,SOFT1	SA	1
1-1	DE94-02426C	2	D006	DE64-02354A	DOOR-C; 0.7ECO PLATFORM,PP,BLACK	SA	1
1-2	DE94-02426C	2	D011	DE64-02355A	KEY-DOOR; 0.7ECO PLATFORM,POM,BLACK	SA	1
1-3	DE94-02426C	2	D007	DE61-00198A	SPRING-KEY; M1877,HSWR,PI0.7,D6,24 1/4,BL	SA	1
1-4	DE94-02426C	2	D004	DE94-02262C	ASSY DOOR E-COATING; MW73B/XEF,SCP T0.4,B	SA	1
1-4-1	DE94-02262C	3	D201	DE94-02262D	ASSY DOOR E-WELDING; MW73B/XEF,ECO 0.7	SNA	1

## 1.2. Assy Control Box

### Exploded View

