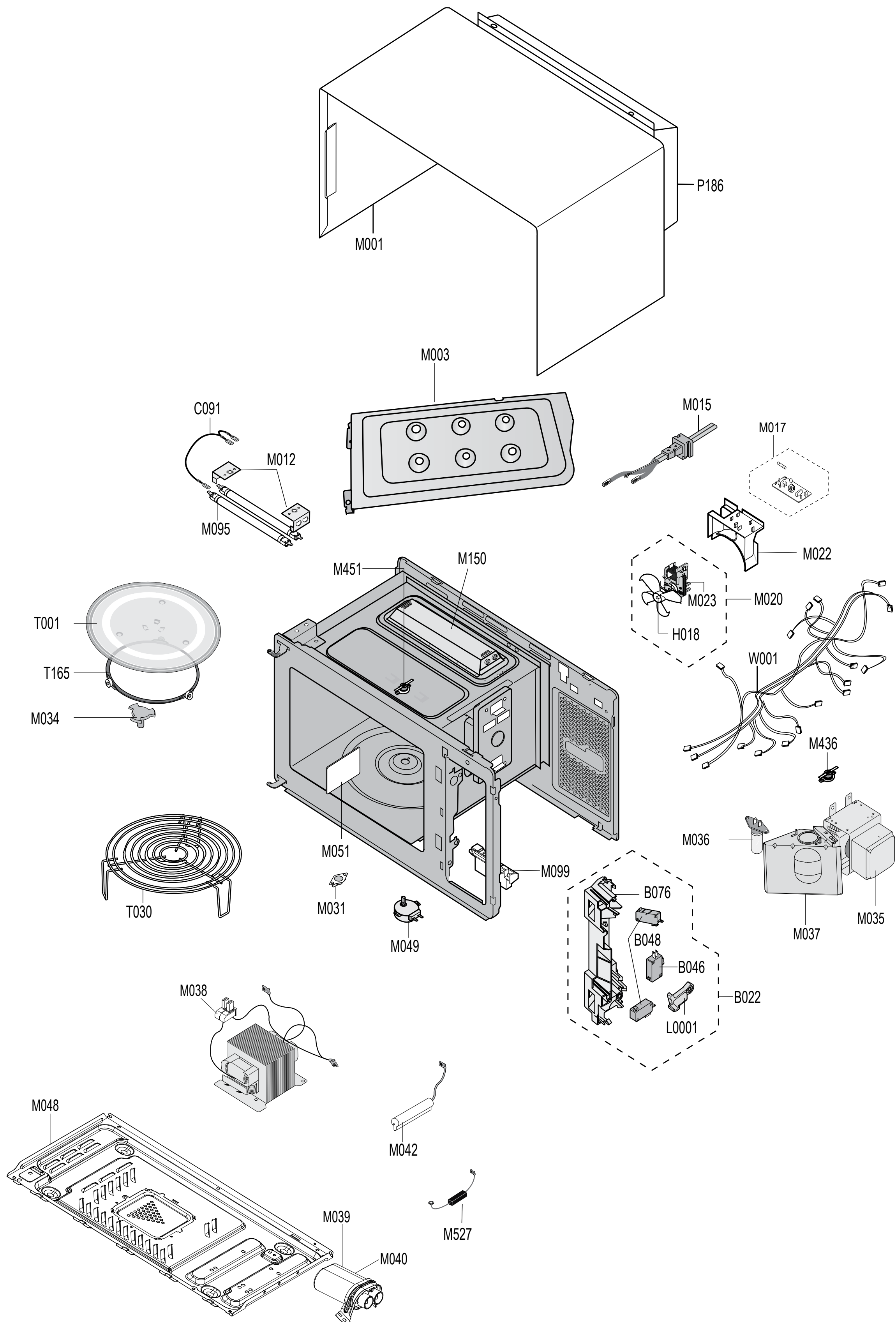


5-1 Exploded Views



5. Exploded Views and Parts List

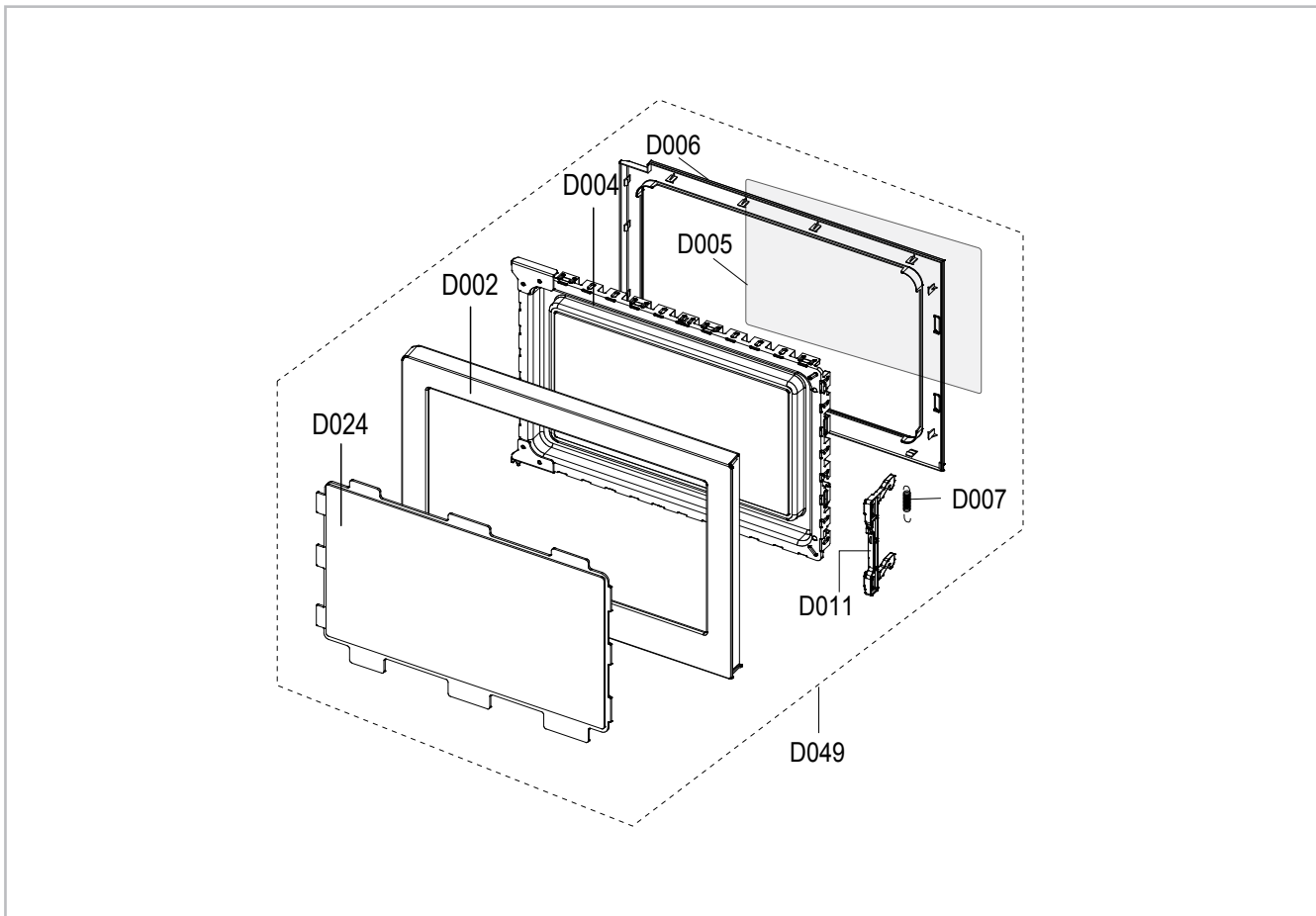
5-2 Main Parts List

(S.N.A : SERVICE NOT AVAILABLE)

No.	Code No.	Description	Specification	Q'ty	SA/ SNA	Remark
B022	DE94-02265A	ASSY BODY LATCH	MW73BR,ECO PLATFORM	1	SA	-
B046	3405-001032	SWITCH-MICRO	125/250VAC, 16A,200GF,SPDT	1	SC	-
B048	3405-001034	SWITCH-MICRO	125/250VAC, 16A,200gf,SPST-N	2	SA	-
B076	DE66-00225A	LATCH-BODY(BUTTON)	0.7ECO PLATFORM,PP,WH	1	SA	-
C091	DE39-30097B	LEAD WIRE-G	L100,MBQ45,GRILL	1	SA	-
H018	DE31-00063A	BLADE-FAN	0.7ECO PLATFORM,PP,WHITE	1	SA	-
L0001	DE66-00088A	LEVER-SWITCH	NC2000(0.6/0.8/1.2),PP,-,-,	1	SC	-
M001	DE64-02356B	PANEL-OUTER	0.7ECO PLATFORM,EGI-SECC,T0.	1	SA	-
M003	DE61-01266A	BRACKET-UPPER	0.7ECO PLATFORM,EGI-SECC,T	1	SA	-
M012	DE61-01271A	BRACKET-HEATER	0.7ECO PLATFORM,EGI-SECC,	2	SA	-
M015	DE96-00385D	ASSY POWER CORD	CEE,Straight,250V/6A,H05	1	SA	-
M017	DE96-00822B	ASSY NOISE FILTER	MW73,SN-ESMB,250V 10A,	1	SNA	-
M020	DE96-00848A	ASSY MOTOR FAN	MW73BR,SMF-3RDEA,230V 50H	1	SNA	-
M022	DE63-00641A	COVER-BLOWER	0.7ECO PLATFORM,PP,WHITE	1	SA	-
M023	DE31-10184J	MOTOR FAN	SMF-E73A,230V/50Hz,2450rpm,9T	1	SNA	-
M031	DE47-00002B	THERMOSTAT	-,NT-101,250V 10A/125V 15A,-,	1	SA	-
M034	DE67-00258A	COUPLER	0.7ECO PLATFORM,PPS,BROWN	1	SA	-
M035	OM75S(31)ESGN	ASSY-MGT	-	1	SA	-
M036	4713-001524	LAMP-INCANDESCENT	230V,20W	1	SNA	-
M037	DE63-00651A	COVER-AIR	0.7ECO PLATFORM,GI-SGCC,T0.4	1	SA	-
M038	DE26-00160A	TRANS H.V	SHV-EPT06A,230V,50Hz,2280V/3.4	1	SA	-
M039	2501-001011	C-OIL	910nF,2100V,BK,54x35x75mm,20mm	1	SA	-
M040	DE61-01263A	BRACKET-HVC	0.7ECO PLATFORM,GI-SGCC,T0.6	1	SA	-
M042	DE96-00831A	ASSY H.V.FUSE	MW74,THV060T-0650-H,5KV/0.	1	SNA	-
M048	DE61-01262A	BASE-PLATE	0.7ECO PLATFORM,GI-SGCC,T0.5	1	SA	-
M049	DE31-10154D	MOTOR SYNCHRONOUS	ST-16EX73MAAA,CMO,FREE	1	SA	-
M051	DE63-00642B	COVER-MGT	ECO,PP,TB53	1	SA	-
M095	DE47-00024A	HEATER	QUARTZ HEATER,G2712,FCHW1*0.6mm,4	2	SA	-
M099	DE66-00226A	LEVER DOOR	0.7ECO PLATFORM,PP,WHITE	1	SA	-
M150	DE96-00852A	ASSY-HEATER COVER	GW73BR,SILVER,102.6*24	1	SNA	-
M436	DE47-20009A	THERMOSTAT	NT-101,250V 10A/125V 15A,150(1	SNA	-
M451	DE47-20032B	THERMOSTAT	-,NT-101,250V 10A/125V 15A,-,	1	SA	-
M527	DE59-00002A	DIODE-H.V	MWO ALL,2CL4512H,-,450mA 13KV,	1	SC	-
P186	DE63-00644A	COVER-BACK	0.7ECO PLATFORM,GI-SGCC,T0.4,	1	SA	-
T001	DE74-00027A	TRAY-COOKING	NC2000,NC06,GLASS,T5,255mm,	1	SA	-
T030	DE74-70071G	RACK-WIRE	0.7 Eco quartz grill,MSWR10,D2	1	SNA	-
T165	DE94-02266D	ASSY GUIDE ROLLER	MW73BR/BWT (ECO),SPS,T	1	SA	-
W001	DE96-00832A	ASSY WIRE HARNESS	GW71B,220V50HZ,ECO PJT	1	SNA	-

5. Exploded Views and Parts List

5-3 Door Parts List

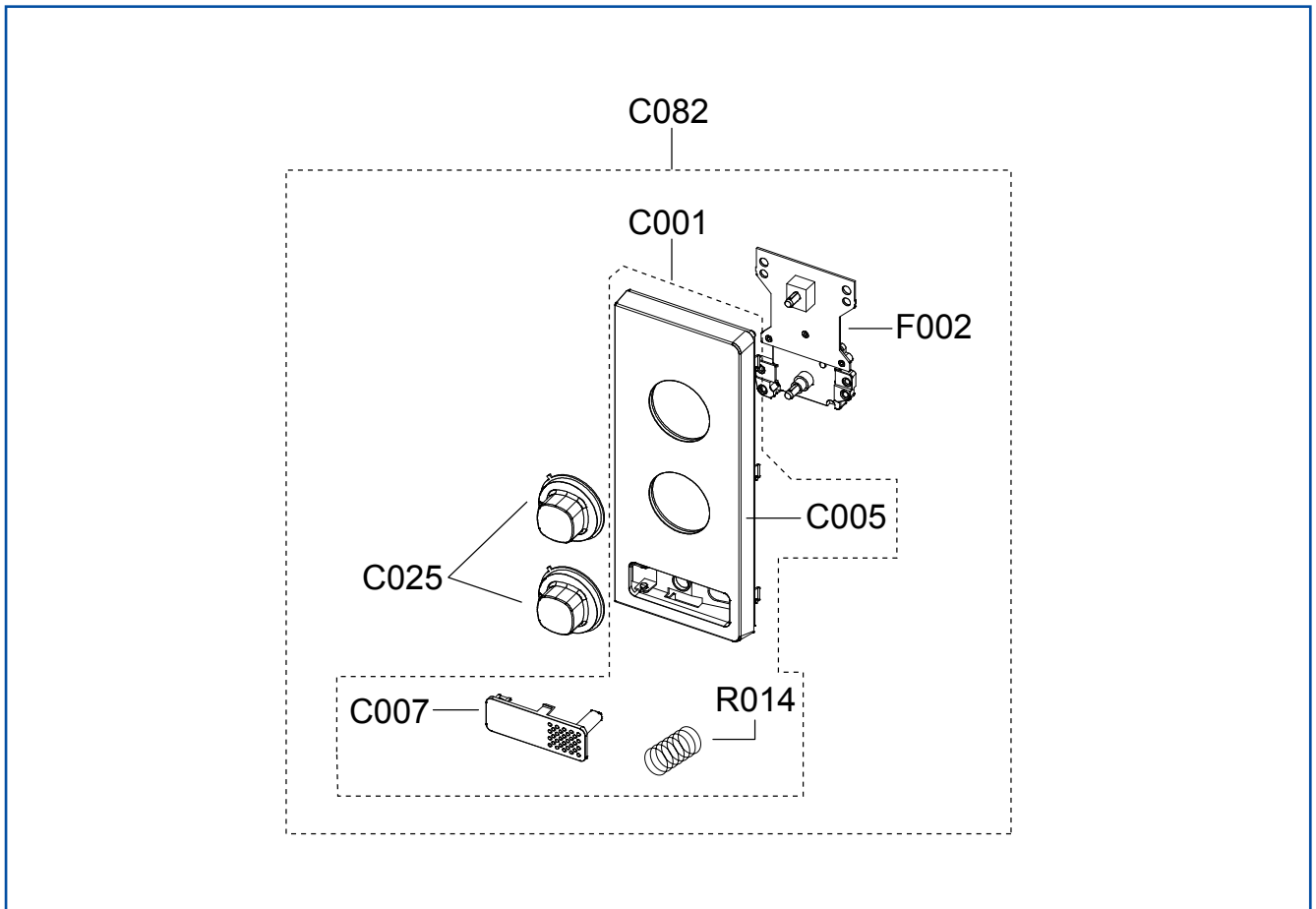


(S.N.A : SERVICE NOT AVAILABLE)

No.	Code No.	Description	Specification	Q'ty	SA/SNA	Remark
D002	DE64-02351A	DOOR-A	0.7ECO PLATFORM,ABS,WHITE	1	SA	-
D004	DE94-02262B	ASSY DOOR E-COATING	MW73BR,SCP T0.4,BLAC	1	SA	-
D005	DE01-00112A	FILM-DOOR	PET,L268,T0.15,W150,NTR	1	SC	-
D006	DE64-02354A	DOOR-C	0.7ECO PLATFORM,PP,BLACK	1	SA	-
D007	DE61-00198A	SPRING-KEY	M1877,HSWR,PI0.7,-,D6,23 1/4,	1	SA	-
D011	DE64-02355A	KEY-DOOR	0.7ECO PLATFORM,POM,BLACK	1	SA	-
D024	DE64-02353A	SCREEN-DOOR(B)	0.7ECO PLATFORM,SAN,BLACK	1	SA	-
D049	DE94-02261A	ASSY DOOR	MW73BR,ABS,WHITE,ECO PLATFORM	1	SNA	-

5. Exploded Views and Parts List

5-4 Control Parts List



(S.N.A : SERVICE NOT AVAILABLE)

No.	Code No.	Description	Specification	Q'ty	SA/SNA	Remark
C001	DE94-02290B	ASSY CONTROL PANEL	GW71B,WHT,ENG,ABS,MEC	1	SNA	-
C005	DE64-02347D	CONTROL-PANEL	GW71B/XEF,ABS,WHT,ENG,MECH	1	SNA	-
C007	DE64-02346A	BUTTON-PUSH	0.7ECO PLATFORM,ABS,WHITE	1	SA	-
C025	DE64-02407B	KNOB	GW127BR/BWT,ABS,WHT, W9501,0.7 ECO	2	SA	-
C082	DE94-02292B	ASSY CONTROL BOX	GW71B,EUROPE,230V50HZ,W	1	SNA	-
F002	DE96-00739A	ASSY-TIMER CONTROL	GW71E,DAM-TCM2-00,-,W	1	SA	-
R014	DE61-70076A	SPRING-BUTTON	-,HSWR,PI0.6,-,OD19,L23,5T	1	SA	-

5. Exploded Views and Parts List

5-5 Standard Parts List

(S.N.A : SERVICE NOT AVAILABLE)

Level	Code No.	Description	Specification	Q'ty	SA/SNA	Remark
1-1	6002-001250	SCREW-TAPPING	TH,+,2S,M4,L8,NI PLT,SWRCH	2	SNA	-
1-1	6002-001325	SCREW-TAPPING	TH,TORX,2S,M4,L12,ZPC(WHT)	1	SA	-
1-1	6006-001170	SCREW-TAPPING	TH,+,WT,TC,M4,L10,ZPC(WHT)	3	SA	-
1-1	6006-001176	SCREW-TAPTYPE	PH,+,WT,B,M4,L8,ZPC(WHT),S	3	SNA	-
1-1	DE60-10051A	SCREW-TAPPING	PH,+,M4,L6,NI PLT,SWRCH18A	2	SA	-
1-1	DE60-10080A	SCREW-TAPPING	PWH,+,-,2S,M5,L9,-,SWRCH18	6	SA	-
1-1	DE60-10082I	SCREW-A	2S-4X12,FEFZY	18	SA	-
1-1	DE60-30016A	NUT-FLANGE	-,-,MSWR10,-,-,-,-,-,-	2	SA	-
1-2	DE60-10063A	SCREW-TAPPING	TH,M4,FEFN	2	SNA	-
1-2	DE60-10082I	SCREW-A	2S-4X12,FEFZY	2	SA	-