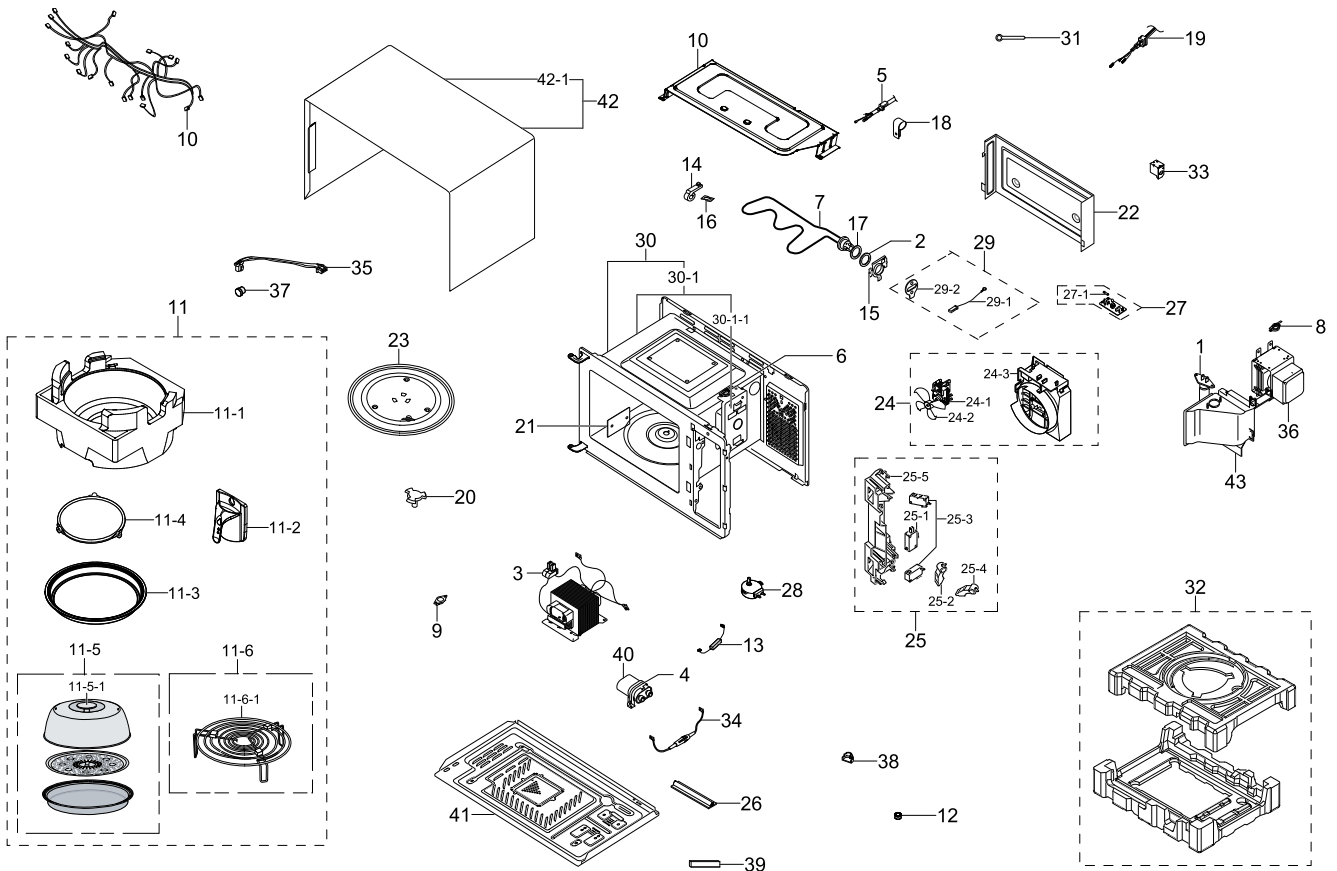


1. Main

Exploded View



Parts List

No.	Lvl.	Loc.	Material Code	Description & Specification	SNA	Qty.
1	1	M036	4713-001524	LAMP-INCANDESCENT; 22x53,BK,20,230,CLEAR,	SA	1
2	1	M008	DE63-20017A	GASKET-HEATER; -,BRASS,T1.5,OD30.5,ID22.5	SA	1
3	1	M038	DE26-00144A	TRANS H.V; SHV-EURO4-1,2370V/3.50V,50Hz,A	SA	1
4	1	M040	DE61-01263A	BRACKET-HVC; 0.7ECO PLATFORM,EGI-SECC,T0.	SA	1
5	1	M015	DE96-00385E	ASSY POWER CORD; VDE,EU3S,E.U,250V/16A,H0	SA	1
6	1	M451	DE47-20032B	THERMOSTAT; 125/250V,15/7.5A,85,75,NORMAL	SA	1
7	1	H061	DE47-00004A	HEATER SHEATH-GRILL; AC230V,FNG,1100W(108	SNA	1
8	1	M436	DE47-20009A	THERMOSTAT; 125/250V,15/7.5A,150,60,NORMA	SA	1

Exploded Views and Parts List

No.	Lvl.	Loc.	Material Code	Description & Specification	SNA	Qty.
9	1	M447	DE47-20010A	THERMOSTAT; 125/250V,15/7.5A,120,60,NORMA	SA	1
10	1	W001	DE96-00865A	ASSY WIRE HARNESS; 0.8 S_Grill,230VAC,230	SA	1
11	1	Z056	DE98-01035A	ASSY CUSHION TRAY; GS89FE-B/XET,EPS,CHIC	SNA	1
11-1	2	T085	DE69-00710A	CUSHION-TRAY; GE89M-B,EPS,-,-,-,-,-,0.8	SNA	1
11-2	2	X020	DE75-00066A	BOWL-WATER; STEEL HEART,PP,E205,(NEW),010	SNA	1
11-3	2	X013	DE63-00513A	TRAY-STEAMER; CE117AE-X,AL,T1.0,251Pi,TEF	SA	1
11-4	2	T165	DE94-02266D	ASSY GUIDE ROLLER; MW73BR/BWT (ECO),SPS,T	SA	1
11-5	2	X023	DE94-01759B	ASSY STEAMER SUB; HV-363AWS,STS304J1,PRO	SA	1
11-5-1	3	X028	DE64-02046A	HANDLE-STEAMER; CE117AE-X,ZN,T3.0,-,-,-,N	SA	1
11-6	2	T010	DE97-00106G	ASSY WIRE RACK; GE89MPSR/BWT,ALL 0.8 ENAM	SA	1
11-6-1	3	T030	DE74-70071D	RACK-WIRE; 0.7/NC2000,MSWR-SWRM,PI3,D230,	SA	1
12	1	M187	DE61-00725A	STOPPER; GE87W/GE107W,PPS,CLEAN-BOWL	SA	1
13	1	M527	DE59-00002A	DIODE-H.V; MWO,2CL4512H/CL04-12A,500mA,12	SA	1
14	1	M535	DE61-30008A	SUPPORT-HEATER; GE87H/BAL,ALUMINA,T12,W11	SNA	1
15	1	M012	DE61-50576A	BRACKET-HEATER; STAINLESS-STS430,T0.5,W70	SNA	1
16	1	M005	DE61-70060A	SPRING-PLATE; SK5,T0.5	SNA	1
17	1	M174	DE63-00132A	GASKET-TEFLON; PG81/PG83,TEFLON,T1.5,PI28	SNA	1
18	1	M483	DE65-20014A	CABLE CLAMP; NY-66,DA-6N	SNA	1
19	1	M015	DE96-00385E	ASSY POWER CORD; VDE,EU3S,E.U,250V/16A,H0	SA	1
20	1	M034	DE67-00258A	COUPLER; 0.7ECO PLATFORM,PPS,BROWN,0103-0	SA	1
21	1	M051	DE71-00159A	COVER-CEILING; CN2835,MICA SHEET,T0.3,W11	SA	1
22	1	P186	DE63-00678A	COVER-BACK; 0.8 chic,EGI-SECC,T0.5,GRILL	SNA	1
23	1	T001	DE74-20102D	TRAY-COOKING; G643C-1(3RD-0.6),GLASS,T6,-	SA	1
24	1	M020	DE96-00848E	ASSY MOTOR FAN; GE73M/XEO,230V50HZ,2450R.	SA	1
24-1	2	M023	DE31-10185A	MOTOR AC FAN; SMF-3RDEA1,2,230V,50Hz,20W,	SA	1
24-2	2	H099	DE31-90057A	BLADE-FAN; 3RD-W,PP,T1.5,T1.5	SA	1

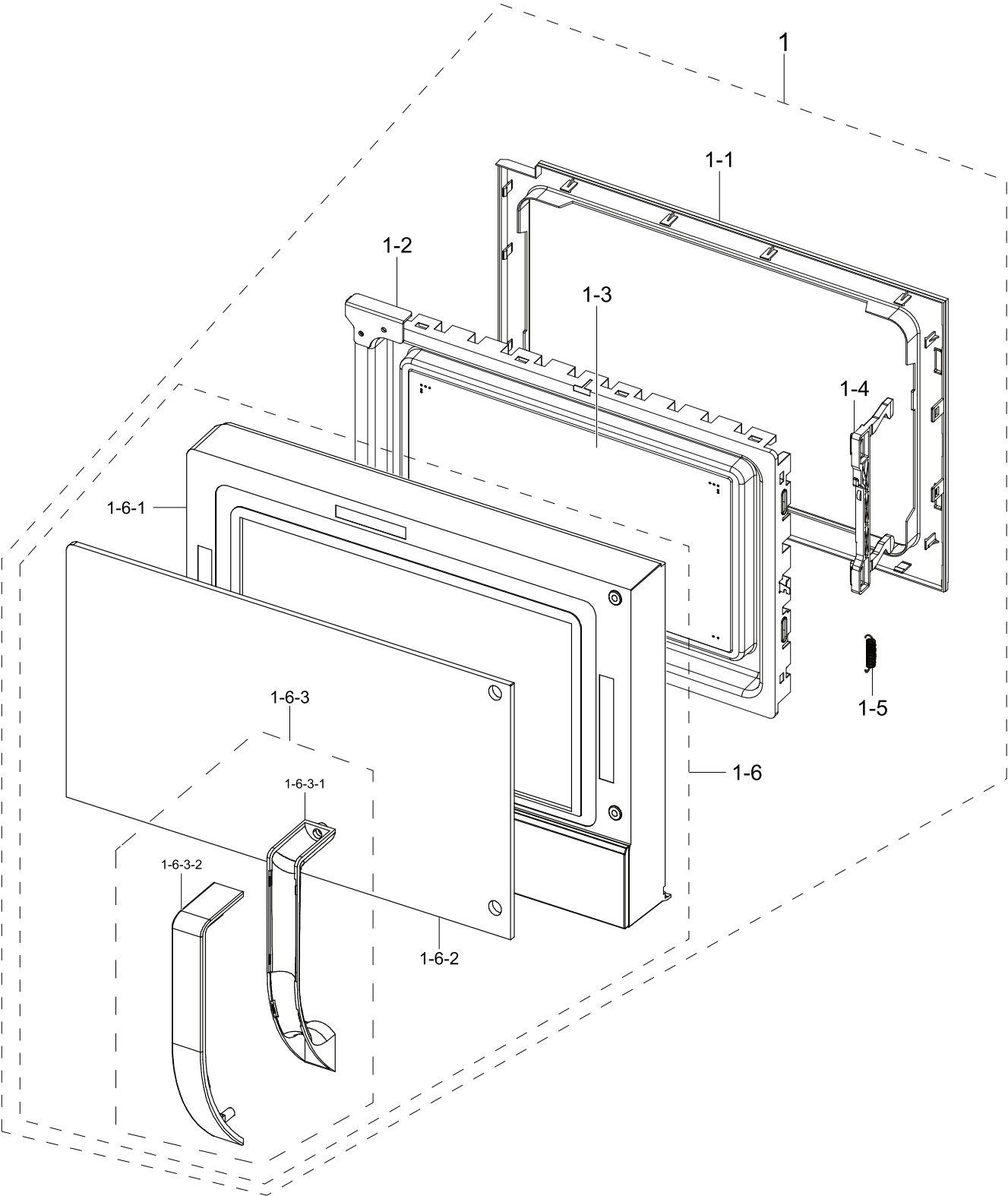
No.	Lvl.	Loc.	Material Code	Description & Specification	SNA	Qty.
24-3	2		DE63-00788A	COVER BLOWER; ECO, NC2K,PP,T1.2,HB,NATURA	SA	1
25	1	B022	DE94-02317B	ASSY BODY LATCH; RE-C21VB,GERSUNG u-swotc	SA	1
25-1	2	B046	3405-001032	SWITCH-MICRO; 125/250VAC,16A,200gf,SPDT,T	SA	1
25-2	2	B010	DE66-00093A	LEVER SWITCH-A; NC2000,PP,TB53,NTR,HANDLE	SA	1
25-3	2	B048	3405-001034	SWITCH-MICRO; 125/250VAC,16A,200gf,SPST-N	SA	2
25-4	2	B011	DE66-00094A	LEVER SWITCH-B; NC2000,PP,TB53,NTR,HANDLE	SA	1
25-5	2	B077	DE66-00231A	LATCH-BODY(HANDLE); 0.8 CHIC,PP,WHITE,PP	SA	1
26	1		DE66-00219A	WIRE-BAND; ALL CMO MODEL,PP,,,,,,,,,T0.9	SNA	1
27	1	M017	DE96-00399A	ASSY NOISE FILTER; SN-UF11A,250V/15A,250V	SA	1
27-1	2	M019	3601-001197	FUSE-CARTRIDGE; 250V,15A,SLOW-BLOW,CERAMI	SA	1
28	1	M049	DE31-10154D	MOTOR AC DRIVE; 8,21V,50/60Hz,3W,5/6rpm	SA	1
29	1	P187	DE97-00537A	ASSY BRACKET HEATER; C100-5/XEF,-,-,TSE	SA	1
29-1	2	W006	DE39-40409A	WIRE HARNESS-E; M9G45,-,-,-,-,-,-,-,-,-,-	SA	1
29-2	2	M006	DE74-80062A	STOPPER HEATER; 3RD-W,EGI-SECC,T0.8,W70,L	SNA	1
30	1	P141	DE94-02322A	ASSY CAVITY-COATING; GS89F,0.8,ENAMEL,CHI	SNA	1
30-1	2	Z778	DE94-02324A	ASSY CAVITY-WELDING; GS89F,0.8,ENAMEL,CHI	SNA	1
30-1-1	3	M515	DE94-02267C	ASSY WAVE GUIDE; GS89F,CR-SPP,CHIC PJT.	SA	1
31	1	M036	DE65-20029A	CORD CLAMP; GA-SGCC,L94XT0.5,GALVA,BLK,-,	SNA	1
32	1	Z781	DE69-00830A	FILLER SET; 0.8 chic,EPS,0.025G/CM3,40X	SNA	1
33	1	P432	DE61-01319A	BRACKET-SENSOR(0.8); 0.8 Chic,EGI-SECC,T0	SA	1
34	1	M042	DE91-70061C	ASSY H.V.FUSE; THV060T,5KV,700mA,SCREW,BL	SA	1
35	1	P036	DE39-40678F	WIRE HARNESS-S; MS89F,550	SA	1
36	1	M035	OM75P(31)ESGN	ASSY-MGT; ASSY-MGT		1
37	1	P024	DE32-60011A	SENSOR GAS; TGS-880,-,-,-,-,-,-,-,-,-,-	SC	1
38	1	P025	DE61-90111A	HOLDER-SENSOR; POM,NATURAL,HB,K300	SA	1
39	1	M126	DE63-90064B	CUSHION; PU FOAM,T5X10X50	SNA	2
40	1	M039	2501-001011	C-OIL HIGH VOLTAGE; 910nF,2100V,BK,34x54x	SA	1
41	1	M048	DE61-01262A	BASE-PLATE; 0.7ECO PLATFORM,GI-SGCC,T0.5	SNA	1
42	1	M001	DE64-02356G	PANEL-OUTER; MW73B-S,EGI-SECC,T0.4,NEO SI	SA	1

Exploded Views and Parts List

No.	Lvl.	Loc.	Material Code	Description & Specification	SNA	Qty.
42-1	2		DE64-02356A	PANEL OUTER-PRESS; 0.7ECO PLATFORM,EGI-SE	SNA	1
43	1	M037	DE63-00651A	COVER-AIR; 0.7ECO PLATFORM,GI-SGCC,T0.4	SA	1

1.1. Assy Door

Exploded View

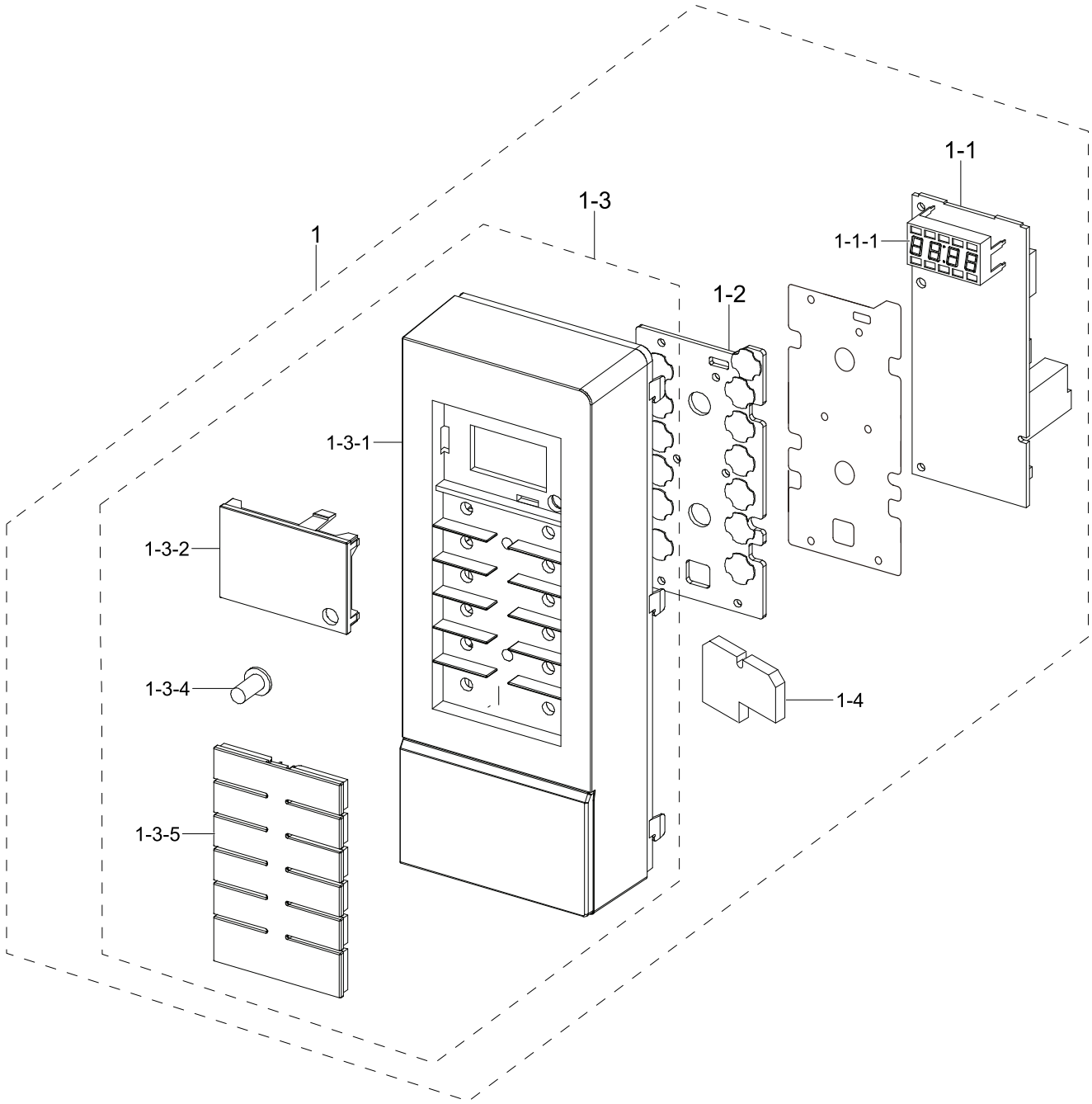


Parts List

No.	Lvl.	Loc.	Material Code	Description & Specification	SNA	Qty.
1	1	D049	DE94-02336G	ASSY DOOR; GS89FE-SS/XET,VICTORY-SILVER,C	SA	1
1-1	2	D006	DE64-02354A	DOOR-C; 0.7ECO PLATFORM,PP,-,HB,T332,BLAC	SNA	1
1-2	2	D004	DE94-02262B	ASSY DOOR E-COATING; MW73BR,SCP T0.4,BLAC	SA	1
1-3	2	D005	DE64-00221E	FILM-DOOR; -,CE2877N,PET,T0.15,W143,L264,	SNA	1
1-4	2	D011	DE64-02430A	DOOR-KEY; 0.8 Chic,POM,BLACK,Chic project	SA	1
1-5	2	D007	DE61-00193A	SPRING-KEY; MW1255,HSWR-SWRH,PI0.6,D5.5,L	SNA	1
1-6	2	D037	DE94-02325C	ASSY DOOR A; GS89FE-SS/XET,ABS HG0760SR,0	SA	1
1-6-1	3	D002	DE64-02420B	DOOR-A; GS89F-SS,ABS,T0.5,HB,HG-0760SR,GE	SNA	1
1-6-2	3	D024	DE64-02440B	SCREEN DOOR-B; GS89FE-SS/XET,GLASS,T3.2,-	SA	1
1-6-3	3	D020	DE94-02383A	ASSY HANDLE; MS89F,CHIC PJT.	SA	1
1-6-3-1	4	D019	DE64-02418A	HANDLE DOOR; 0.8 CHIC,ABS,HG-0760SR,HB,GE	SA	1
1-6-3-2	4	D026	DE63-00675A	COVER HANDLE; 0.8 CHIC,ABS,T0.5,HB,GE WHI	SA	1

1.2. Assy Control

Exploded View



Parts List

No.	Lvl.	Loc.	Material Code	Description & Specification	SNA	Qty.
1	1	C082	DE94-02329E	ASSY CONTROL BOX; GS89FE-SS/XET,230V50HZ,	SNA	1
1-1	2	F316	DE92-03389F	ASSY PCB MAIN; DE92-03441E,GS89FE-B/XET,Y	SA	1
1-1-1	3	Y040	DE07-00079M	LED DISPLAY; HL-LED163G-A134,MS109F,40seg	SA	1
1-2	3	C084	DE96-00869B	ASSY KEY MODULE; GS89FE-S,DKM-MS89F-01,0.	SA	1
1-3	2	C001	DE94-02326E	ASSY CONTROL PANEL; GS89FE-SS/XET,VICTORY	SA	1
1-3-1	3	C005	DE64-02417C	CONTROL PANEL-TACT; GS89FE-SS/XET,ABS,HB,	SA	1
1-3-2	3	C009	DE64-02421A	WINDOW-DISPLAY; 0.8 CHIC,SAN,BLACK,CHIC P	SA	1
1-3-4	3	C035	DE64-02423A	BUTTON-CLOCK; 1.0 Chic,ABS,BLACK,Chic pro	SA	1
1-3-5	3	C011	DE64-02416E	BUTTON SELECT; GS89FE-SS/XET,ABS,HB,GE WH	SA	1
1-4	2	C058	DE63-00302A	CUSHION-PCB; M187DN,PUR FOAM,T10,W102,L78	SNA	1