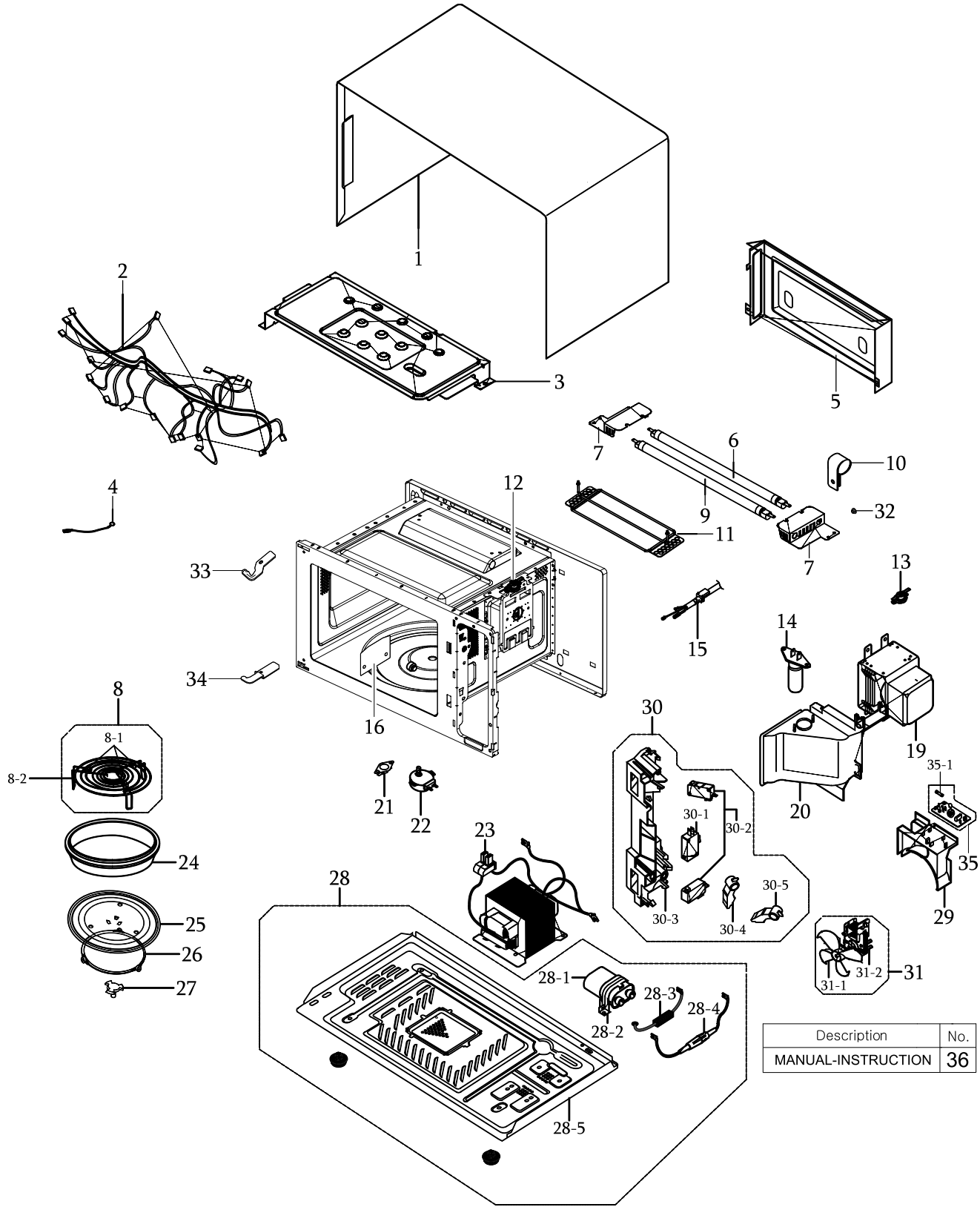


1. MAIN

Exploded View



Description	No.
MANUAL-INSTRUCTION	36

Parts List

No.	Lvl.	Loc.	Material Code	Description & Specification	SNA	Qty.
1	1	M001	DE64-01333A	PANEL-OUTER; M187AST,STS,T0.5,TSE/INHOUSE	SNA	1
2	1	W002	DE96-00406B	ASSY WIRE HARNESS-A; DUO GRILL,230V50Hz,0	SA	1
3	1	M003	DE61-01084A	BRACKET-UPPER; DUO-GRILL,EGI-SECC,T0.5,0.	SA	1
4	1	W076	DE96-00650A	ASSY WIRE HARNESS-B; PG2833R,230V50HZ,-	SA	1
5	1	P186	DE63-00562A	COVER BACK; DUO GRILL,EGI-SECC,T0.5,0.8 C	SA	1
6	1		DE47-00024D	HEATER-BLAST QUARTZ; Quartz Heater,600W,1	SA	1
7	1	M151	DE63-00553A	COVER HEATER; DUO GRILL,ALCOT,T0.5,0.8 CU	SA	2
8	2	T010	DE97-00106F	ASSY WIRE RACK; GE89ASTR,220mm,95mm,-	SA	1
8-1	3	X008	DE60-80042A	SPACER-RACK WIRE; TEFLON,L10,ID3.0,W10	SA	3
8-2	3	T030	DE74-70071E	RACK-WIRE; DUO GRILL,MSWR-SWRM,PI3,D220,H	SA	1
9	1	M295	DE47-00024B	HEATER-QUARTZ; SHQ-U7103A,CE7103,600W,115	SNA	1
10	1	M483	DE65-20014A	CABLE CLAMP; NY-66,DA-6N	SA	1
11	1	M296	DE97-00696B	ASSY WIRE-PROTECT; TRIO,-,STS430	SA	1
12	1	M447	DE47-20010A	THERMOSTAT; NT-101,125/250V,1205,6015	SA	1
13	1	M436	DE47-20009A	THERMOSTAT; NT-101,125/250V,150(1607,60	SA	1
14	1	M036	4713-001524	LAMP-INCANDESCENT; 230V,20W	SA	1
15	1	M015	DE96-00385E	ASSY POWER CORD; CEE,Straight,250V/10A,H0	SA	1
16	1	M051	DE71-00159A	COVER-CEILING; CN2835,MICA SHEET,T0.3,W11	SA	1
19	1	M035	OM75P(31)ESGN	ASSY-MGT; ASSY-MGT		1
20	1	M037	DE71-60457C	COVER-AIR; 3RD-0.7(BTM),PP,FH44N,TSE	SA	1
21	1	M031	DE47-00002B	THERMOSTAT; NT-101,125/250V,1105,1005	SA	1
22	1	M049	DE31-10154D	MOTOR SYNCHRONOUS; SSM-16H,CMO,FREE,5/6 R	SA	1
23	1	M038	DE26-00153A	TRANS H.V; SHV-EPT08A,230V,50Hz,2380V/3.5	SA	1
24	2	T131	DE74-20114B	TRAY-BROILER; -,AL,0.8,350,350,350,-,-,-	SNA	1
25	1	T001	DE74-20102B	TRAY-COOKING; 2ND-07,GLASS,T5.0,M745,PI28	SA	1
26	2	T158	DE97-00193B	ASSY GUIDE ROLLER; NC2000 0.8,-,-,-,T2*P1	SA	1
27	1	M034	DE67-00140A	COUPLER; NC2000(0.6~0.8),PPS,-,3g,BRN,NEW	SA	1
28	1	M155	DE96-00200N	ASSY BASE PLATE; GE83Z/FAL,0.8CU.FT ENAME	SA	1
28-1	2	M039	2501-001016	C-OIL; 950nF,2100V,BK,35x54x80mm,20mm	SA	1
28-2	2	M040	DE61-00139A	BRACKET-HVC; NC2000,EGI-SECC,T0.8,0.6/0.8	SA	1

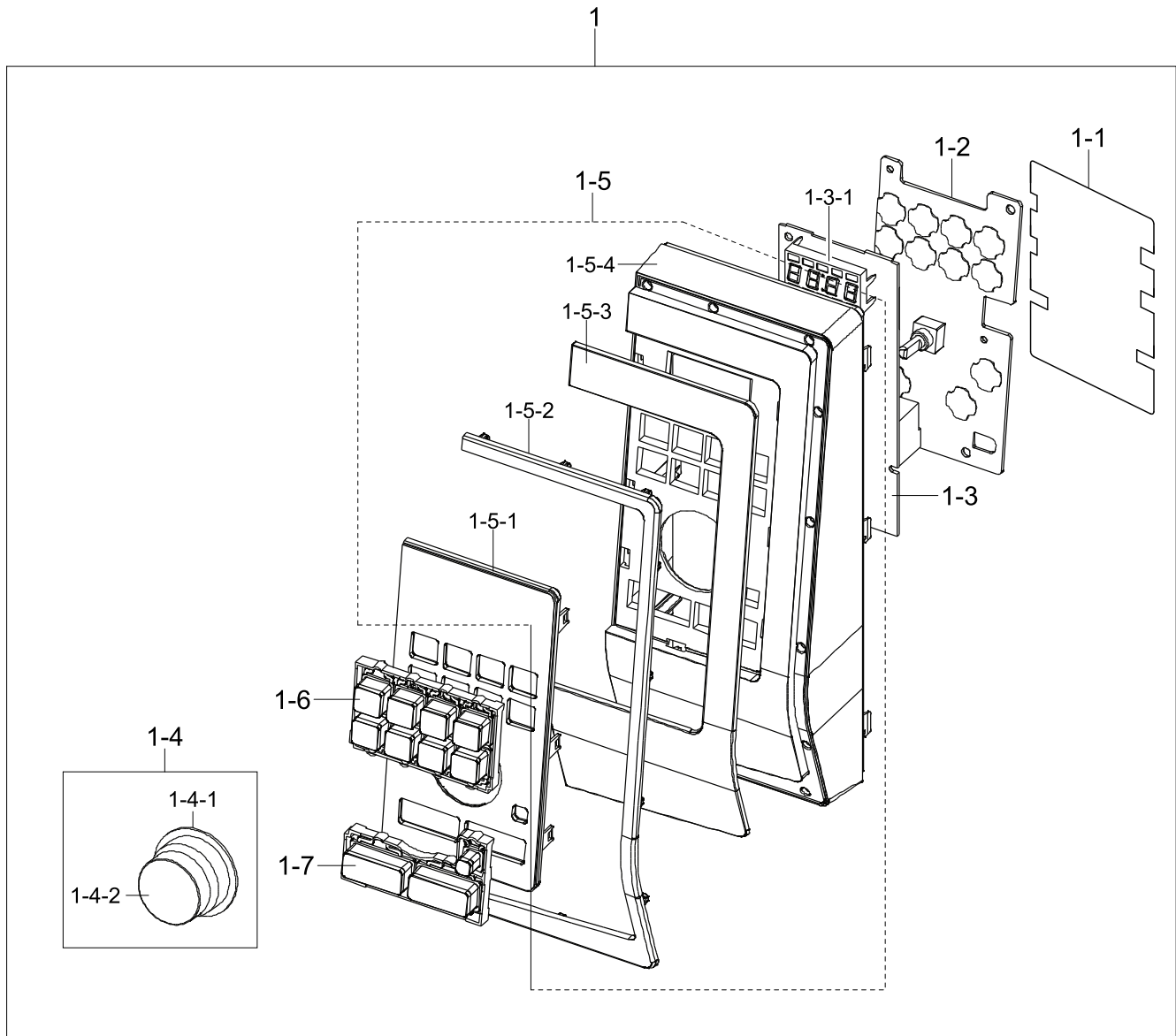
No.	Lvl.	Loc.	Material Code	Description & Specification	SNA	Qty.
28-3	2	M527	DE59-00002A	DIODE-H.V; MWO ALL,2CL4512H,-,450mA 13KV,	SC	1
28-4	2	M042	DE91-70061B	ASSY H.V.FUSE; -,THV060T-0750-H,5KV/0.75A	SC	1
28-5	2	M048	DE80-00023A	BASE-PLATE; MW850WA,GI-SGCC,T0.6,NC2000,0	SA	1
29	1	M022	DE71-00148A	COVER-BLOWER; MW850WA,PP,T1.5,-,-,-,NTR	SA	1
30	1	B022	DE94-02993A	ASSY BODY LATCH; CE283DNR/BWT,M1717N,NC20	SA	1
30-1	2	B046	3405-001032	SWITCH-MICRO; 125/250VAC,16A,200GF,SPDT	SC	1
30-2	2	S0021	3405-000178	SWITCH-MICRO; 250V,16A,200gf,SPST-NO	SNA	2
30-3	2	B070	DE72-00137B	LATCH-BODY; PG113R,NYLON,-,-,-,-	SA	1
30-4	2	B010	DE66-00093A	LEVER-SWITCH(A); NC2000,PP,NTR,HANDLE	SC	1
30-5	2	B011	DE66-00094A	LEVER-SWITCH(B); NC2000,PP,NTR,HANDLE	SA	1
31	1	M020	DE96-00031A	ASSY MOTOR FAN; M1733,SMF-3RDEA,230V50HZ,	SC	1
31-1	2	H099	DE31-90057A	BLADE-FAN; 3RD-W,PP,-,T1.5,-,T1.5,-	SA	1
31-2	2	M023	DE31-10184A	MOTOR FAN; SMF-3RDEA,-,-,-,-,230V50Hz,240	SC	1
32	1	H024	DE60-30016A	NUT-FLANGE; MSWR-SWRM,MSWR10	SA	4
33	3	D009	DE61-01217B	HINGE-DOOR(U); CE2738NR/BWT,SPP,T2.0,2 pa	SA	1
34	3	D010	DE61-01216B	HINGE-DOOR(L); CE2738NR/BWT,SPP,T2.0,2 pa	SA	1
35	1	M017	DE96-00399A	ASSY NOISE FILTER; MW840,SN-UF11A,250V15A	SA	1
35-1	2	M019	3601-001197	FUSE-CARTRIDGE; 250V,15A,SLOW-BLOW,CERAMI	SA	1
36	1	X002	DE68-03597F	MANUAL-INSTRUCTION; GE89APST-S/XET,SEI,IT	SA	1

Parts List

No.	Lvl.	Loc.	Material Code	Description & Specification	SNA	Qty.
1	1	D049	DE94-01951D	ASSY DOOR; GE89APST-S/XET,ABS,NEO STS SIL	SNA	1
1-1	2	D006	DE64-40008B	DOOR-C; -,PP,CE745G,-,-,-,BLK,-	SA	1
1-2	2	D005	DE64-00221E	FILM-DOOR; -,CE2877N,PET,T0.15,W143,L264,	SA	1
1-3	2	D004	DE94-00351B	ASSY DOOR E-COATING; MW850WA,-,BLK-COATIN	SC	1
1-4	2	D011	DE64-00211A	DOOR-KEY; NC2000(0.6/0.8/1.2),PP,-,-,-,-,	SA	1
1-5	2	D007	DE61-00198A	SPRING-KEY; M1877,HSWR-SWRH,PI0.7,D6,24 1	SA	1
1-6	2	D015	DE94-01948D	ASSY DOOR SUB; GE89APST-S/XET,ABS,NEO STS	SNA	1
1-6-1	3	D133	DE64-02119A	CHASSIS DOOR; STEEL HEART,STAINLESS-ST343	SNA	1
1-6-2	3	D326	DE94-01971A	ASSY COVER-HANDLE; GE89ASTR/BWT,ABS,-,0.8	SA	1
1-6-2-1	4	D208	DE63-00552A	COVER HANDLE-(STS); STEEL HEART,ABS,HG076	SA	1
1-6-3	3	D207	DE64-02137A	HANDLE DOOR-(STS); STEEL HEART(STS),ABS,H	SA	1
1-6-4	4	D024	DE64-02111A	SCREEN-DOOR(B); GE89ASTR,SAN,BLACK SMOG	SA	1
1-6-5	4	D002	DE64-02121A	DOOR-A; STEEL HEART,ABS,HG0760SR,W9711	SA	1
1-6-6	4	D021	DE64-02110C	DECORATION-DOOR; GE89APST-S/XET,ABS,SILVE	SA	1

3. ASSY CONTROL BOX

Exploded View



Parts List

No.	Lvl.	Loc.	Material Code	Description & Specification	SNA	Qty.
1	1	C082	DE94-01952H	ASSY CONTROL BOX; GE89APST-S/XET,NEO STS	SA	1
1-1	2	C107	DE01-00247A	FILM-BOARD; -,STEEL HEART,AL,T0.12,-,-,-,	SA	1
1-2	2	C084	DE96-00750A	ASSY KEY MODULE; MW89ASTR/BWT,DKM-MW89AST	SNA	1
1-3	2	F316	DE92-03439Z	ASSY PCB MAIN; GE89APST-S/XET,RCS-SMS3L-3	SA	1
1-3-1	3	Y040	DE07-00079H	LED DISPLAY; HL-LED163G-A132,GE89ASTR/BWT	SA	1

No.	Lvl.	Loc.	Material Code	Description & Specification	SNA	Qty.
1-4	2	C184	DE94-01950A	ASSY KNOB DIAL; STEEL HEART,BUTTON-ABS, C	SNA	1
1-4-1	3	C341	DE64-02116A	KNOB-DIAL; STEEL HEART,ABS,HG0760SR K2046	SA	1
1-4-2	3	C191	DE67-00237A	CAP-DIAL; STEEL HEART,AL,SPIN,HAIR LINE	SNA	1
1-5	2	C211	DE94-01949F	ASSY CONTROL SUB; GE89APST-S/XET,NEO STS	SNA	1
1-5-1	4	C021	DE63-00550E	COVER-PANEL; GE89APST-R/XEF,SAN,BLACK SMO	SA	1
1-5-2	4	C110	DE64-02117C	DECORATION-PANEL; GE89APST-S/XET,ABS,SILV	SA	1
1-5-3	3		DE64-02118A	CHASSIS PANEL; STEEL HEART,STAINLESS-ST54	SNA	1
1-5-4	4	C005	DE64-02113A	CONTROL-PANEL; STEEL HEART,ABS,HG0760SR K	SA	1
1-6	2	C011	DE64-02114E	BUTTON-SELECT(A); GE89APST-R/XEF,ABS,BLAC	SA	1
1-7	2	C012	DE64-02115B	BUTTON-SELECT(B); GE89AST/BAL,ABS,BLACK,H	SA	1