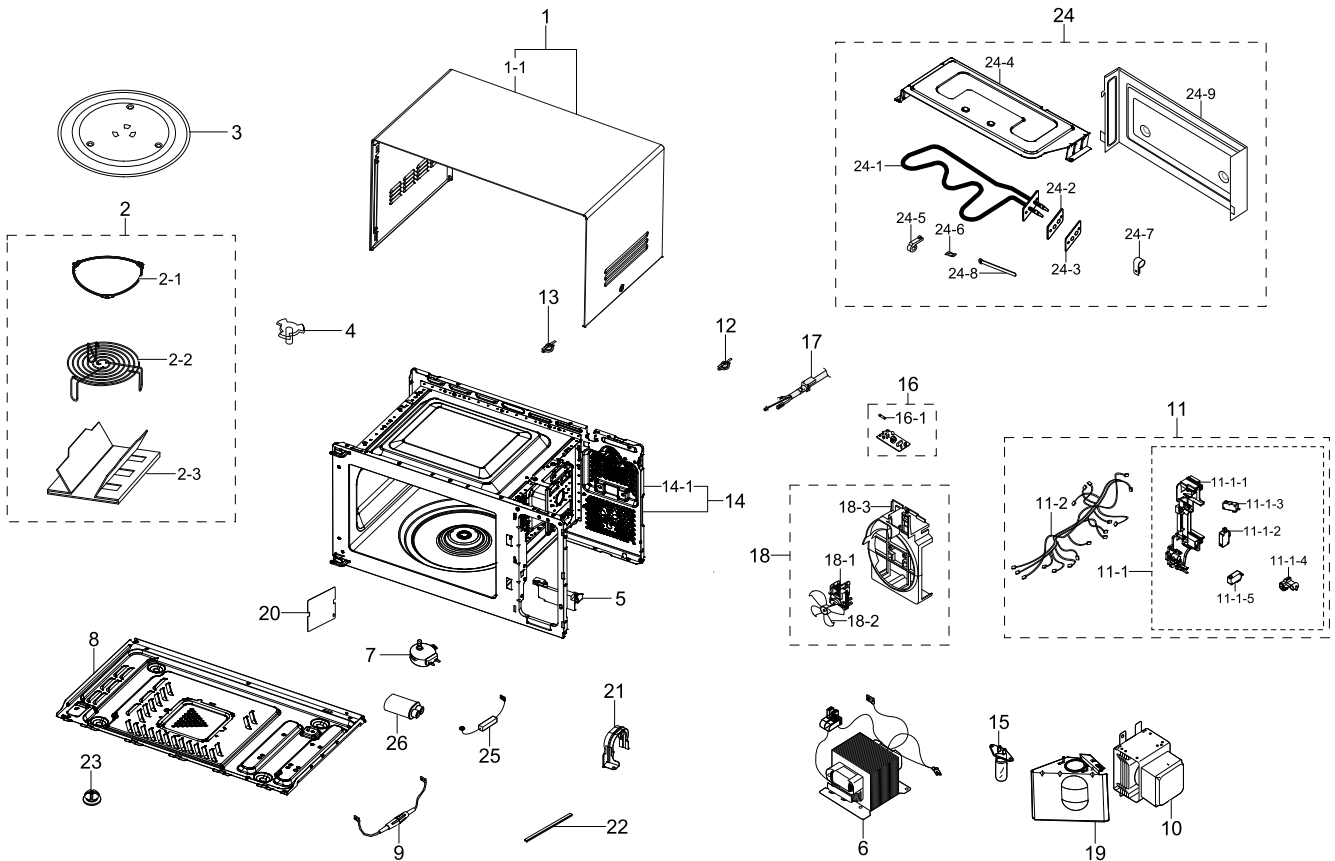


1. GE83M/XEO

Exploded View



Parts List

No.	Lvl.	Loc.	Material Code	Description & Specification	SNA	Qty.
1	1	M001	DE64-02356G	PANEL OUTER; MW73B-S,EGI-SECC,T0.4,W287,L	SA	1
1-1	2		DE64-02356A	PANEL OUTER-PRESS; 0.7ECO PLATFORM,EGI-SE	SNA	1
2	1		DE94-02439B	ASSY ACCESSORY PARTS; 0.8 ECO GRILL,0.8 E	SNA	1
2-1	2	T165	DE94-02266D	ASSY GUIDE ROLLER; MW73BR/BWT (ECO),SPS,T	SA	1
2-2	2	T030	DE74-70071D	RACK WIRE; 0.7/NC2000,MSWR-SWRM,PI3,D230,	SA	1
2-3	2		DE69-00191A	PAD-RACK; CE2877N,CB	SNA	1
3	2	T001	DE74-20102D	TRAY COOKING; G643C-1(3RD-0.6),GLASS,T6,-	SA	1
4	2	M034	DE67-00258A	COUPLER; SPS,BROWN,0103-001496	SA	1
5	2	M099	DE66-00226A	LEVER DOOR; 0.7ECO PLATFORM,PP,WHITE	SA	1
6	2	M038	DE26-00144A	TRANS H.V; SHV-EURO4-1,230V,2370V/3.50V,A	SA	1
7	2	M049	DE31-10154D	MOTOR AC DRIVE; 8Pole,21V,50/60Hz,200mA,3	SA	1

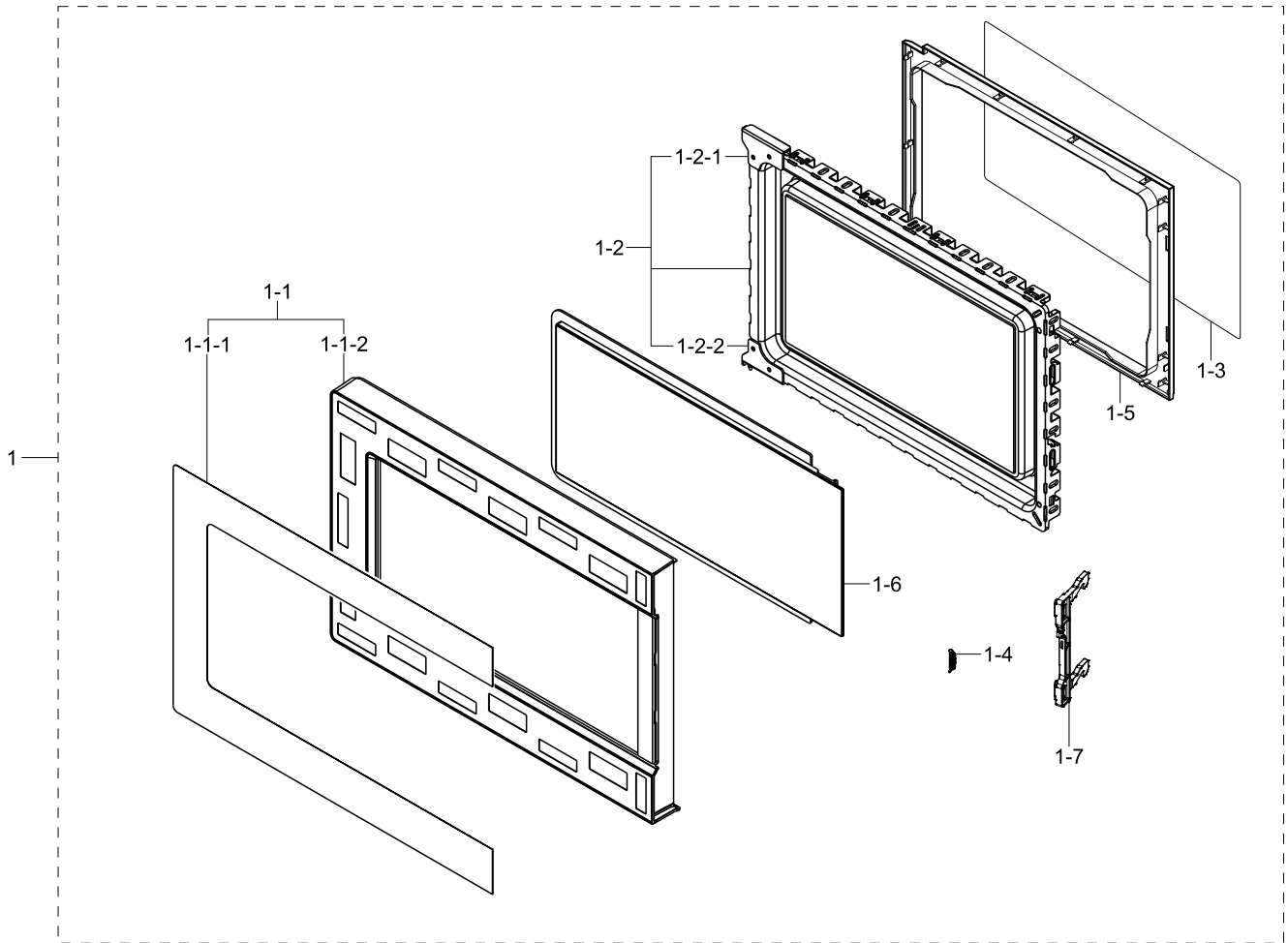
Exploded Views and Parts List

No.	Lvl.	Loc.	Material Code	Description & Specification	SNA	Qty.
8	2	M048	DE61-01262E	BASE PLATE; 0.7/0.8 ECO PLATFORM,GI-SGCC,	SA	1
9	2	M042	DE91-70061C	ASSY H.V.FUSE; THV060T,5KV,700mA,SCREW,BL	SA	1
10	2	M035	OM75P(31)ESGN	ASSY-MGT; ASSY-MGT		1
11	1		DE94-03467B	ASSY HOLDER-WIRE; 0.8 ECO ELECT,PUSH	SNA	1
11-1	2	B022	DE94-02265E	ASSY BODY LATCH; ECO PUSH BUTTON,1A DOOR	SA	1
11-1-1	3	B076	DE66-00225A	LATCH BODY; 0.7/0.8 ECO PLATFORM,PP,WHITE	SNA	1
11-1-2	3	B048	3405-001034	SWITCH-MICRO; 125/250VAC,16A,200gf,SPST-N	SA	1
11-1-3	3	B046	3405-001032	SWITCH-MICRO; 125/250VAC,16A,200gf,SPDT,T	SA	1
11-1-4	3	L0001	DE66-00234A	LEVER SWITCH; MW73B,POM,NC0001,F20-03,WHI	SNA	1
11-1-5	3	S0021	3405-001116	SWITCH-MICRO; 125/250VAC,1A,200gf,SPST-NO	SA	1
11-2	2		DE96-00865D	ASSY WIRE HARNESS-MAIN; MG23K3515AS/EC,0.	SA	1
12	2	M451	DE47-20032B	THERMOSTAT; AC125/250V,15/10A,85C,75C,Hor	SA	1
13	2	M436	DE47-20009A	THERMOSTAT; AC125/250V,15/10A,150C,60C,Ac	SA	1
14	1	P141	DE94-02322D	ASSY CAVITY-COATING; 0.8 CU.FT,GE83XR,0.8	SNA	1
14-1	2	Z778	DE94-02324D	ASSY CAVITY-WELDING; 0.8 ECO FIXED GRILL,	SNA	1
15	2	M036	4713-001524	LAMP-INCANDESCENT; 22x53,BK,20,230,CLEAR,	SA	1
16	2	M017	DE96-00399A	ASSY NOISE FILTER; SN-UF11A,250V/15A,250V	SA	1
16-1	3	M019	3601-001197	FUSE-CARTRIDGE; 250V,15A,SLOW-BLOW,CERAMI	SA	1
17	1	M015	DE96-00385E	POWER CORD-AT; H05VV-F 3x1.0mm2,GRY,EU3S,	SA	1
18	2	M020	DE96-00848K	ASSY MOTOR FAN; GE73M/XEO,SMF-3RDEA1,230V	SA	1
18-1	3	M023	DE31-10185A	MOTOR AC FAN; SMF-3RDEA1,2,230V,50Hz,20W,	SA	1
18-2	3	H099	DE31-90057A	BLADE-FAN; 3RD-W,PP,T1.5,T1.5	SA	1
18-3	3		DE63-00788A	COVER BLOWER; ECO, NC2K,PP,T1.2,HB,NATURA	SA	1
19	2	M037	DE63-00651A	COVER AIR; 0.7ECO PLATFORM,GI-SGCC,T0.4	SA	1
20	2	M051	DE71-00159A	COVER-CEILING; CN2835,MICA SHEET,T0.3,W11	SA	1

No.	Lvl.	Loc.	Material Code	Description & Specification	SNA	Qty.
21	2	M040	DE61-01263A	BRACKET-HVC; 0.7ECO PLATFORM,EGI-SECC,T0.	SA	1
22	2	P021	DE63-00008J	CUSHION SPONGE; PU FOAM,PUT-FOAM,T4,W8,L1	SNA	1
23	2	M047	DE61-01585A	FOOT; 0.7/0.8 ECO SOLO/GRILL,RUBBER,BLACK	SA	1
24	1		DE90-01069H	ASSY GRILL PARTS; MG23K3515AS,0.8 ECO FIX	SNA	1
24-1	2	H061	DE47-00016A	HEATER SHEATH-GRILL; AC230V,BKT,1100W(108	SA	1
24-2	2	M008	DE63-00049B	GASKET-HEATER; CELLO,BRASS,T1,NATURAL	SNA	1
24-3	2	M012	DE61-01529A	BRACKET HEATER; 1.1 CELLO,EGI-SECC,T0.8	SNA	1
24-4	2	M003	DE61-01318A	BRACKET-UPPER(GRILL); 0.8 Chic,EGI-SECC,T	SA	1
24-5	2	M535	DE61-30008A	SUPPORT HEATER; GE87H/BAL,ALUMINA,T11.5,W	SA	1
24-6	2	M005	DE61-70060A	SPRING-PLATE; SK5,T0.5	SNA	1
24-7	2	M483	DE65-20014A	CABLE CLAMP; NY-66,DA-6N	SNA	1
24-8	2	M480	6502-001085	CABLE CLAMP; DALC-4,ID5.3,T0.5,GA-SGCC/PV	SNA	1
24-9	2	P186	DE63-00678A	COVER BACK; 0.8 chic,EGI-SECC,T0.4,GRILL	SNA	1
25	2	M527	DE59-00002A	DIODE-H.V; MWO,2CL4512H/CL04-12A,500mA,12	SA	1
26	2	M039	2501-001011	C-OIL HIGH VOLTAGE; 910nF,2100V,BK,34x54x	SA	1

2. Assy Door

Exploded View



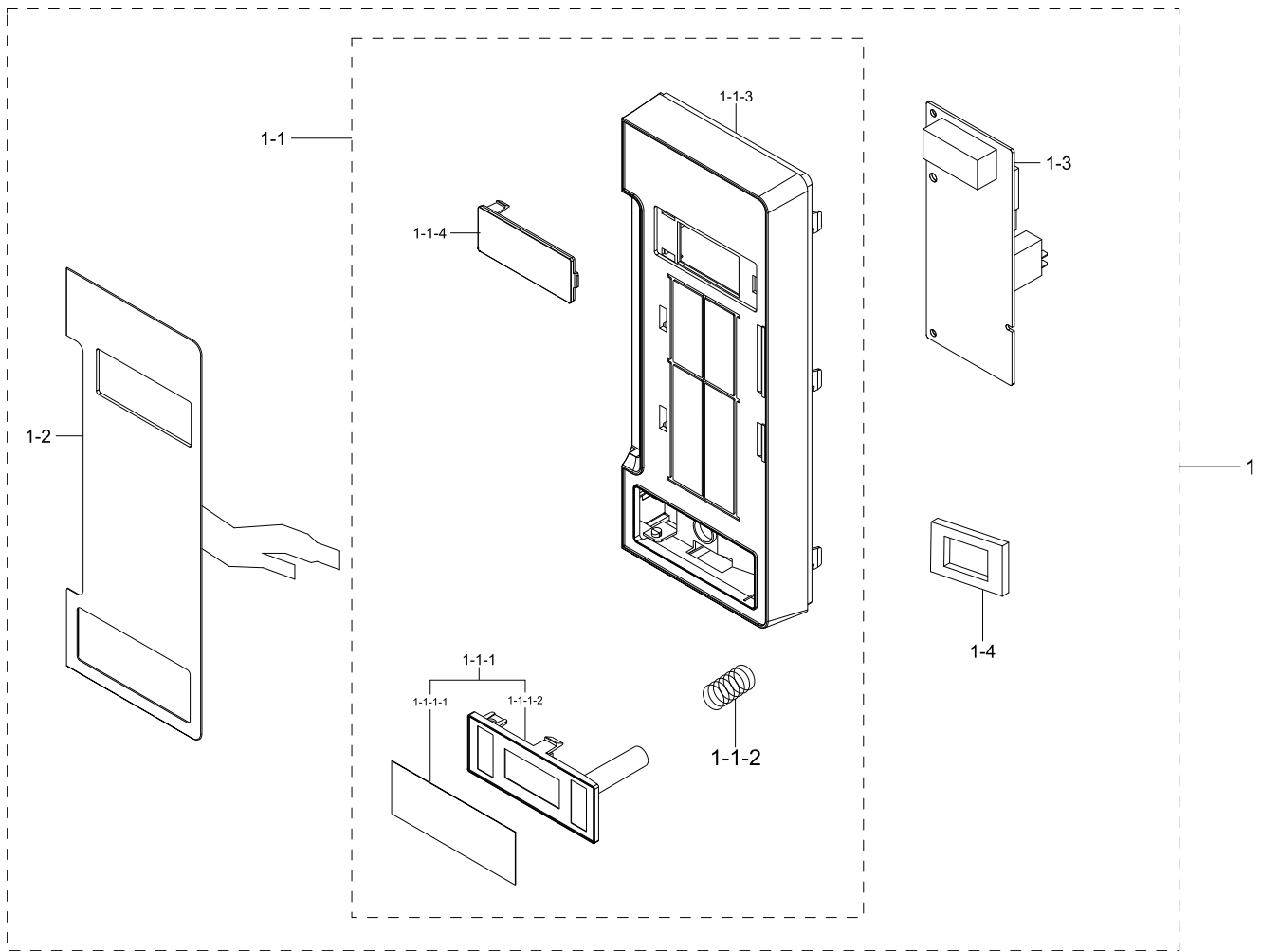
Parts List

No.	Lvl.	Loc.	Material Code	Description & Specification	SNA	Qty.
1	1	D049	DE94-02898A	ASSY DOOR; GE712MR,HG0760SR,BLACK,Marimba	SA	1
1-1	2	D037	DE94-02893A	ASSY DOOR A; ME73MR,HG0760SR,BLACK,MARIMB	SA	1
1-1-1	3	Z779	DE64-02623A	INLAY-DOOR; MARIMBA,STAINLESS-ST5430,T0.4	SA	1
1-1-2	3	D002	DE64-02621A	DOOR A; ME73MR,ABS,BLACK,Marimba	SNA	1
1-2	2	D004	DE94-02262B	ASSY DOOR E-COATING; MW73BR,SCP T0.4,BLAC	SA	1
1-2-1	4		DE61-01269A	BRACKET-DOOR HINGE(UPPER); 0.7ECO PLATFOR	SNA	1
1-2-2	4		DE61-01270A	BRACKET-DOOR HINGE(LOWER); 0.7ECO PLATFOR	SNA	1
1-3	2	D005	DE64-00221E	FILM DOOR; -,CE2877N,PET,T0.15,W143,L264,	SNA	1

No.	Lvl.	Loc.	Material Code	Description & Specification	SNA	Qty.
1-4	2	D007	DE61-00198A	SPRING KEY; M1877,HSWR-SWRH,PI0.7,D6,24 1	SNA	1
1-5	2	D006	DE64-02354A	DOOR C; 0.7ECO PLATFORM,PP,-,HB,T332,BLAC	SNA	1
1-6	2	D024	DE64-02616A	SCREEN DOOR-B; ME712MR,SAN,black,Marimba	SNA	1
1-7	2	D011	DE64-02355A	KEY DOOR; 0.7ECO PLATFORM,POM,BLACK	SA	1

3. Assy Control Box

Exploded View



Parts List

No.	Lvl.	Loc.	Material Code	Description & Specification	SNA	Qty.
1	1	C082	DE94-02917C	ASSY CONTROL BOX; GE83M/BAL,BLACK,ABS,0.8	SNA	1
1-1	2	C001	DE94-02915A	ASSY CONTROL PANEL-(MEMB); GE83MR/BWT,BLA	SA	1
1-1-1	3	C206	DE94-02908A	ASSY BUTTON-PUSH; GE712MR/BWT,ABS,STSS,SP	SA	1
1-1-1-1	4	C207	DE64-02624A	INLAY-BUTTON; MARIMBA,STAINLESS-STSS430,T0	SNA	1
1-1-1-2	4	C007	DE64-02617B	BUTTON PUSH; ME73MR,ABS,GE BLACK,MARIMBA(SNA	1
1-1-2	3	R014	DE61-70076A	SPRING-BUTTON; HSWR-SWRH,PI0.6,OD19,L23,5	SNA	1
1-1-3	3	C005	DE64-02662A	CONTROL-PANEL; GE83MR,ABS,BLACK,0.8 MARIM	SA	1

No.	Lvl.	Loc.	Material Code	Description & Specification	SNA	Qty.
1-1-4	3	C009	DE64-02665A	WINDOW-DISPLAY; GE83MR,SAN,BLACK,0.8 MARI	SA	1
1-2	2	C004	DE34-00407C	SWITCH MEMBRANE; GE83M/BAL,PET,230V 50HZ,	SA	1
1-3	2	F316	DE92-03439J	ASSY PCB MAIN; GE83X/BOL,RCS-SMS3L-292,Y,	SA	1
1-4	2	P021	DE63-00408A	CUSHION SPONGE; PU FOAM,BLACK,PCB SPONGE,	SA	1