

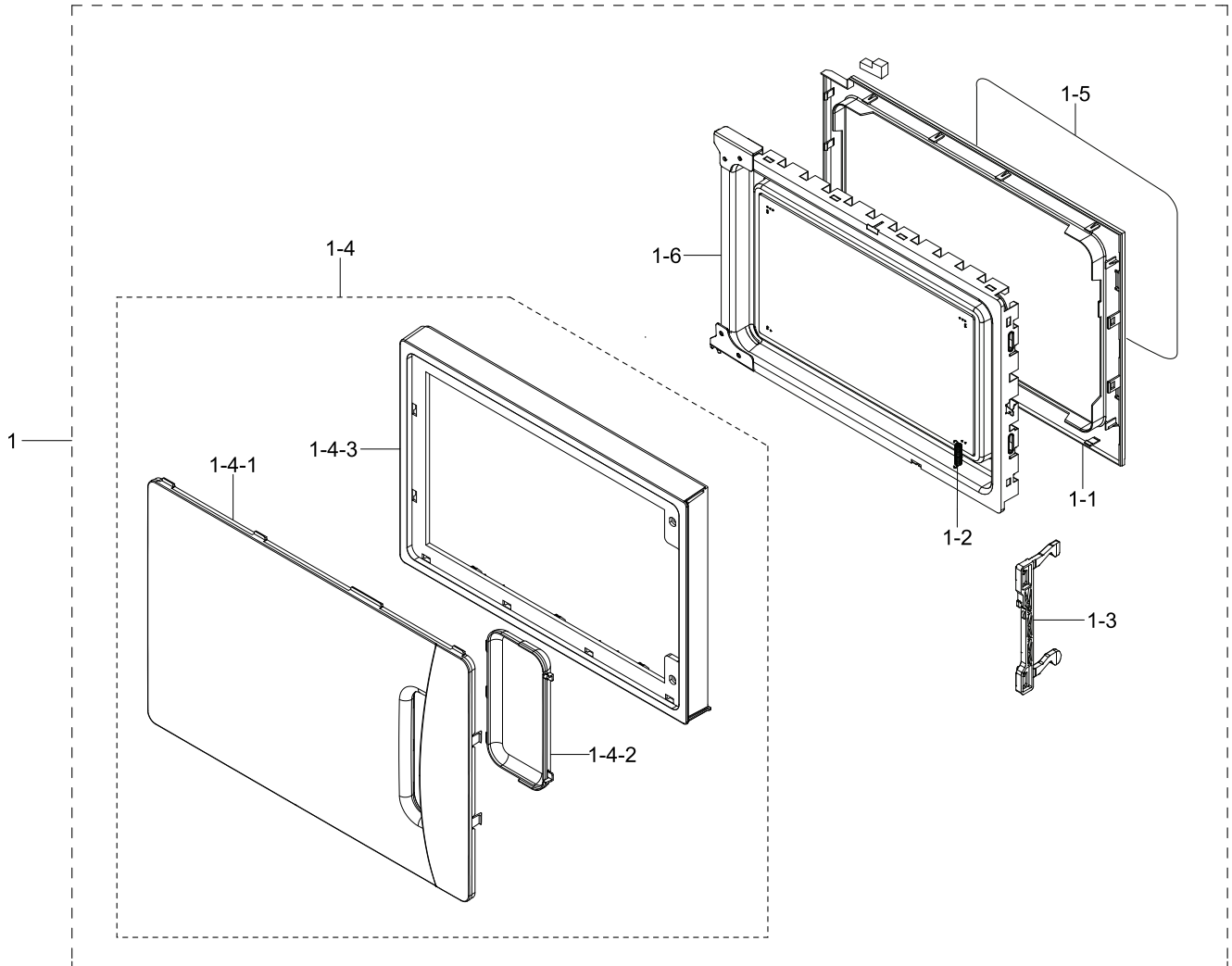
Exploded Views and Parts List

No.	Lvl.	Loc.	Material Code	Description & Specification	SNA	Qty.
4	2	M049	DE31-10154D	MOTOR AC DRIVE; 8,21V,50/60Hz,3W,5/6rpm	SA	1
5	2	M037	DE63-00651A	COVER AIR; 0.7ECO PLATFORM,GI-SGCC,T0.4	SA	1
6	2	M048	DE61-01262A	BASE PLATE; 0.7ECO PLATFORM,GI-SGCC,T0.5	SNA	1
7	1	M015	DE96-00385E	CBF-POWER CORD; AT,EUROPE,EU3S,,,,Gray,11	SA	1
8	1		DE90-01012C	ASSY GRILL PARTS; GE711K,0.7 ECO FIXED SH	SNA	1
8-1	2	H061	DE47-00016A	HEATER SHEATH-GRILL; AC230V,BKT,1100W(108	SA	1
8-2	2	M003	DE61-01318A	BRACKET-UPPER(GRILL); 0.8 Chic,EGI-SECC,T	SA	1
8-3	2	M535	DE61-30008A	SUPPORT HEATER; GE87H/BAL,ALUMINA,T12,W11	SNA	1
8-4	2	M005	DE61-70060A	SPRING-PLATE; SK5,T0.5	SNA	1
8-5	2	M012	DE61-01529A	BRACKET HEATER; 1.1 CELLO,EGI-SECC,T0.8	SNA	1
8-6	2	M008	DE63-00049B	GASKET-HEATER; BRASS,T1.0,NATURAL	SNA	1
8-7	2	P186	DE63-00644A	COVER BACK; 0.7ECO PLATFORM,GI-SGCC,T0.4,	SNA	1
8-8	2	M483	DE65-20014A	CABLE CLAMP; NY-66,DA-6N	SNA	1
8-9	2	H024	DE60-30016A	NUT FLANGE; MSWR-SWRM,MSWR10	SNA	2
9	2	P021	DE63-00008J	CUSHION SPONGE; PU FOAM,PUT-FOAM,T4,W8,L1	SNA	1
10	2	M036	4713-001524	LAMP-INCANDESCENT; 22x53,BK,20,230,CLEAR,	SA	1
11	1		DE94-03493Q	ASSY HOLDER-WIRE; 0.7 ECO MECH,HANDLE	SNA	1
11-1	2	B022	DE94-02317E	ASSY BODY LATCH; ECO HANDLE TYPE,1A DOOR	SA	1
11-1-1	3	B077	DE66-00231A	LATCH BODY; 0.8 CHIC,PP,WHITE,PP MU30HP(V	SA	1
11-1-2	3	B046	3405-001032	SWITCH-MICRO; 125/250VAC,16A,200gf,SPDT,T	SA	1
11-1-3	3	S0021	3405-001116	SWITCH-MICRO; 125/250VAC,1A,200gf,SPST-NO	SA	1
11-1-4	3	B010	DE66-00093A	LEVER SWITCH-A; NC2000,PP,HT44,GRAY,HANDL	SA	1
11-1-5	3	B048	3405-001034	SWITCH-MICRO; 125/250VAC,16A,200gf,SPST-N	SA	1
11-1-6	3	B011	DE66-00094A	LEVER SWITCH-B; NC2000,PP,TB53,NTR,HANDLE	SA	1
11-2	2		DE96-00832D	ASSY WIRE HARNESS-MAIN; GE711K/XEN,0.7 S_	SA	1
12	2	T001	DE74-00027A	TRAY COOKING; NC2000,NC06,GLASS,T5,255mm,	SA	1

No.	Lvl.	Loc.	Material Code	Description & Specification	SNA	Qty.
13	2	M017	DE96-00822B	ASSY NOISE FILTER; SN-ESMB,250V/10A,250V/	SA	1
13-1	3	M019	3601-001197	FUSE-CARTRIDGE; 250V,15A,SLOW-BLOW,CERAMI	SA	1
14	2	T165	DE94-02266D	ASSY GUIDE ROLLER; MW73BR/BWT (ECO),SPS,T	SA	1
15	2	M034	DE67-00258A	COUPLER; 0.7ECO PLATFORM,PPS,BROWN,0103-0	SA	1
16	2	M020	DE96-00848K	ASSY MOTOR FAN; GE73M/XEO,SMF-3RDEA1,230V	SNA	1
16-1	3	H099	DE31-90057A	BLADE-FAN; 3RD-W,PP,T1.5,T1.5	SA	1
16-2	3	M023	DE31-10185A	MOTOR AC FAN; SMF-3RDEA1,2,230V,50Hz,20W,	SA	1
16-3	3		DE63-00788A	COVER BLOWER; ECO, NC2K,PP,T1.2,HB,NATURA	SA	1
17	2	M436	DE47-20009A	THERMOSTAT; 125/250V,15/7.5A,150,60,NORMA	SA	1
18	2	M051	DE71-00159A	COVER-CEILING; CN2835,MICA SHEET,T0.3,W11	SA	1
19	1	P141	DE94-02856A	ASSY CAVITY-COATING; GE73AR,0.7 FIXED GRI	SNA	1
19-1	2	Z778	DE94-02855A	ASSY CAVITY-WELDING; GE73AR,0.7 FIXED GRI	SNA	1
20	1		DE94-02437B	ASSY ACCESSORY PARTS; GW733KR-S/BWT,SOFT3	SNA	1
20-1	2	T030	DE74-70071G	RACK WIRE; 0.7 Eco quartz grill,MSWR-SWRM	SA	1
20-2	2		DE69-00191A	PAD-RACK; CE2877N,CB	SNA	1
21	2	M451	DE47-20032B	THERMOSTAT; 125/250V,15/7.5A,85,75,NORMAL	SA	1

2. Assy Door

Exploded View



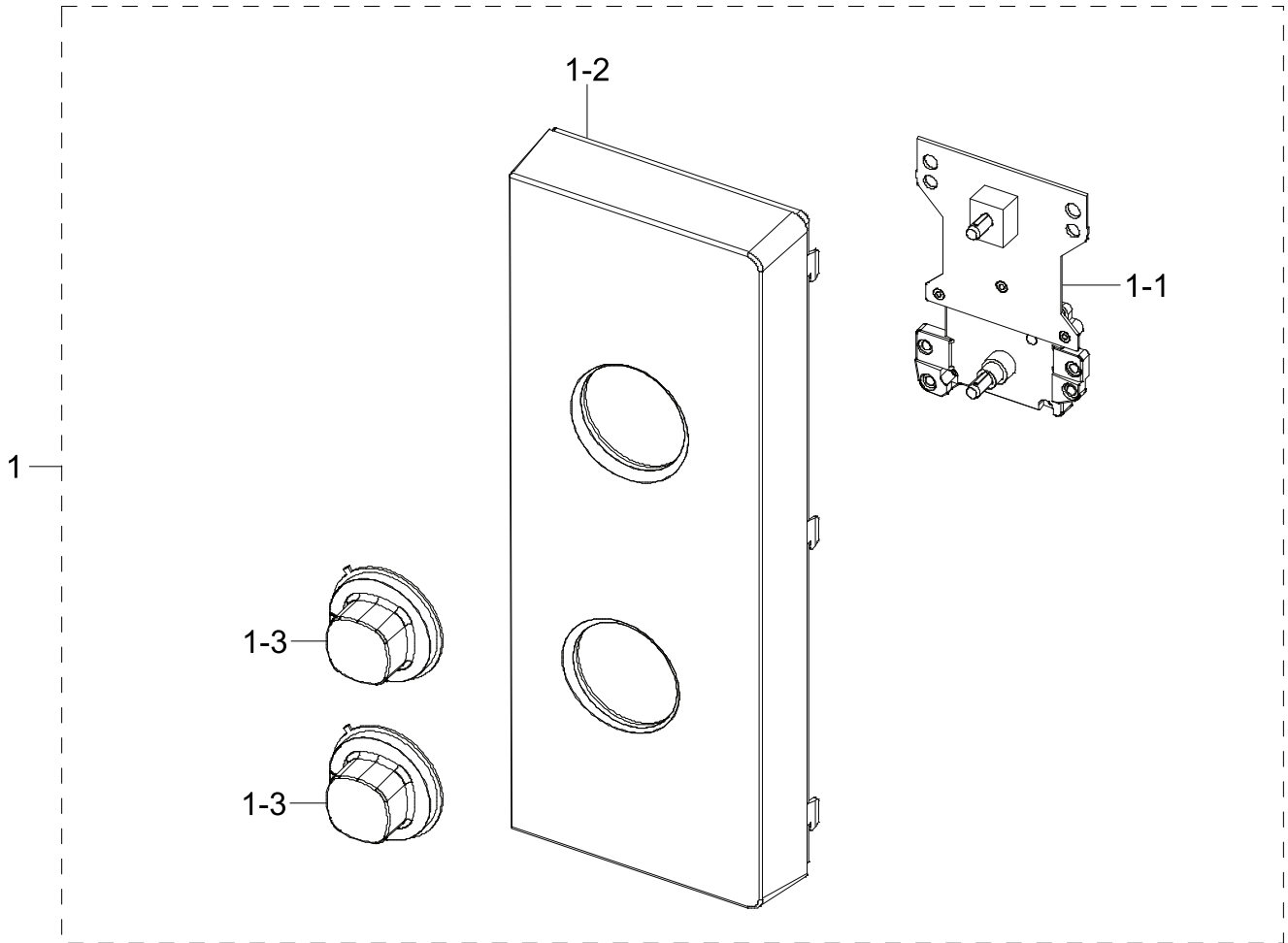
Parts List

No.	Lvl.	Loc.	Material Code	Description & Specification	SNA	Qty.
1	1	D049	DE94-02285F	ASSY DOOR; GE73AR/BWT,WHITE,SAPPHIRE, SEM	SA	1
1-1	2	D006	DE64-02354A	DOOR C; 0.7ECO PLATFORM,PP,-,HB,T332,BLAC	SNA	1
1-2	2	D007	DE61-00193A	SPRING-KEY; MW1255,HSWR-SWRH,PI0.6,D5.5,L	SNA	1
1-3	2	D011	DE64-02430A	DOOR-KEY; 0.8 Chic,POM,BLACK,Chic project	SA	1
1-4	2	D037	DE94-02360A	ASSY DOOR A; MW73AR,ABS HG0760SR,WHITE W9	SA	1
1-4-1	3	D003	DE64-02415A	SCREEN DOOR; TRENDY,SAN,BLACK	SNA	1
1-4-2	3	D026	DE63-00674A	COVER HANDLE; TRENDY,ABS,WHITE,Trendy Mod	SNA	1

No.	Lvl.	Loc.	Material Code	Description & Specification	SNA	Qty.
1-4-3	3	D002	DE64-02412A	DOOR A; TRENDY,ABS,WHITE,Trendy Model	SA	1
1-5	2	D005	DE64-00221E	FILM DOOR; -,CE2877N,PET,T0.15,W143,L264,	SNA	1
1-6	2	D004	DE94-02262B	ASSY DOOR E-COATING; MW73BR,SCP T0.4,BLAC	SA	1

3. Assy Control Box

Exploded View



Parts List

No.	Lvl.	Loc.	Material Code	Description & Specification	SNA	Qty.
1	1	C082	DE94-02283E	ASSY CONTROL BOX; GE71A/BOL,0.7 FIXED GRI	SNA	1
1-1	2	F002	DE96-00739A	ASSY-TIMER CONTROL; GW71E,DAM-TCM2-00,-,W	SA	1
1-2	2	C375	DE64-02414E	CONTROL-PANEL(MECH); GE71A/BOL,ABS,HB,HG-	SA	1
1-3	2	C031	DE64-02349B	KNOB TIMER; MW712AR,ABS,WHITE	SA	2