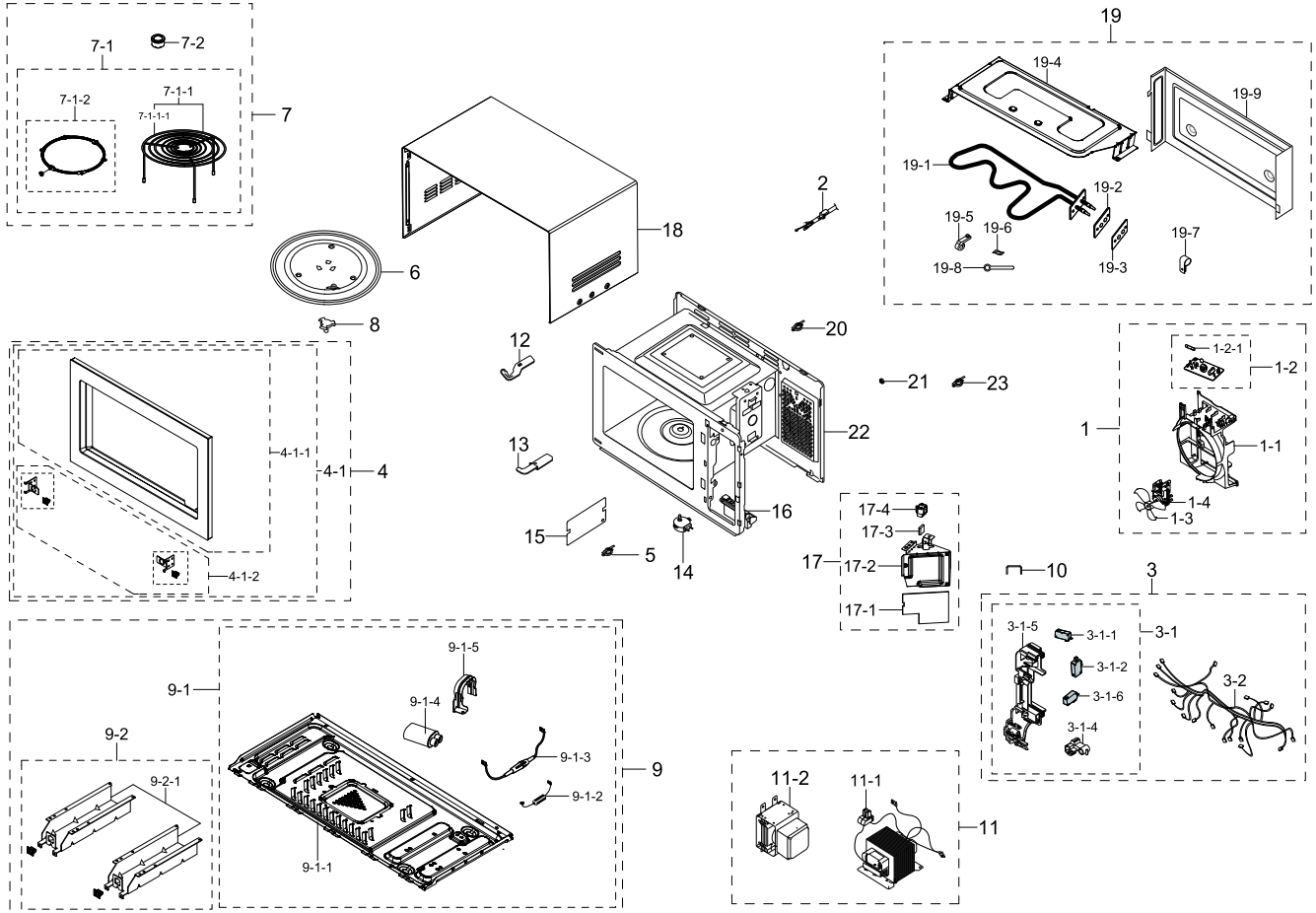


# 1. Main

## Main

### Exploded View



### Parts List

No.	Lvl.	Loc.	Material Code	Description & Specification	SNA	Qty.
1	2	M020	DE96-01109C	ASSY MOTOR FAN; MG23J5133AT/EG,230V,50Hz,	SA	1
1-1	3		DE63-00788A	COVER BLOWER; ECO, NC2K,PP+TD30%,T1.2,HB,	SA	1
1-2	3	M017	DE96-00399A	ASSY NOISE FILTER; SN-UF11A,250V/15A,250V	SA	1
1-2-1	4	M019	3601-001197	FUSE-CARTRIDGE; 250V,15A,SLOW-BLOW,CERAMI	SA	1
1-3	3	H099	DE31-90057A	BLADE-FAN; 3RD-W,PP,T1.5,T1.5,NATURAL	SA	1
1-4	3	M023	DE31-10185A	MOTOR AC FAN; SMF-3RDEA1,2,230V,50Hz,20W,	SA	1
2	1	M015	DE96-00385E	POWER CORD-AT; H05VV-F 3x1.0mm2,GRY,EU3S,	SA	1

## Exploded Views and Parts List

No.	Lvl.	Loc.	Material Code	Description & Specification	SNA	Qty.
3	1		DE94-05237A	ASSY HOLDER-WIRE; FG87SST/BOL,DE94-02265E	SNA	1
3-1	2	B022	DE94-02265E	ASSY BODY LATCH; ECO PUSH BUTTON,1A DOOR	SA	1
3-1-1	3	B046	3405-001032	SWITCH-MICRO; 125/250VAC,16A,200gf,SPDT,T	SA	1
3-1-2	3	B048	3405-001034	SWITCH-MICRO; 125/250VAC,16A,200gf,SPST-N	SA	1
3-1-4	3	L0001	DE66-00234A	LEVER SWITCH; MW73B,POM,F20-03,NATURAL,EC	SNA	1
3-1-5	3	B076	DE66-00225A	LATCH BODY; 0.7/0.8 ECO PLATFORM,PP,WHITE	SNA	1
3-1-6	3	S0021	3405-001116	SWITCH-MICRO; 125/250VAC,1A,200gf,SPST-NO	SA	1
3-2	2		DE96-00406G	ASSY WIRE HARNESS-MAIN; MG20A7013CT/EG,23	SA	1
4	1	M166	DE94-02598A	ASSY TRIM KIT; FG88SUST,TRANSFORMER	SA	1
4-1	2		DE97-00578A	ASSY TRIM PAD; FG87KST,MTBI,TRIM+PAD+HARD	SA	1
4-1-1	3	M166	DE97-00574A	ASSY TRIM KIT; FG87KST,WHT,MTBI	SA	1
4-1-2	3	M060	DE97-00575A	ASSY HARD WARE; MTBI,-,-	SA	1
5	2	M451	DE47-20032B	THERMOSTAT; AC125/250V,15/10A,85C,75C,Nor	SA	1
6	2	T001	DE74-20102D	TRAY COOKING; G643C-1(3RD-0.6),GLASS,T6,L	SA	1
7	1		DE94-02439M	ASSY ACCESSORY PARTS; FG87SST/XEF,TRANSFO	SNA	1
7-1	2	Z056	DE98-01036B	ASSY CUSHION TRAY; FG87SST/XEF,TRANSFORME	SNA	1
7-1-1	3	T010	DE97-00106G	ASSY WIRE RACK; GE89MPSR/BWT,ALL 0.8 ENAM	SA	1
7-1-1-1	4	T030	DE74-70071D	RACK WIRE; 0.7/NC2000,MSWR-SWRM,D230,H85,	SA	1
7-1-2	3	F535	DE94-04260C	ASSY GUIDE ROLLER; EU MWO BUILT-IN,PPS,TE	SA	1
7-2	2	M187	DE61-00725A	STOPPER; GE87W/GE107W,PP+TD30%,FC2305,NEA	SA	1
8	2	M034	DE67-00258A	COUPLER; SPS+GF30%,C832,0103-001496	SA	1
9	2	U001	DE94-04295A	ASSY BASE BOTTOM-MODULE; FG87SBTR/BW,OUTS	SA	1
9-1	3	M155	DE94-04193A	ASSY BASE PLATE; FG87SST/BOL,GI-SGCC,T0.5	SA	1
9-1-1	4	M048	DE61-01262C	BASE PLATE; FG88SUST,GI-SGCC,T0.5,TRANSFO	SNA	1

No.	Lvl.	Loc.	Material Code	Description & Specification	SNA	Qty.
9-1-2	4	M527	DE59-00002A	DIODE-H.V; MWO,2CL4512H/CL04-12A,500mA,12	SA	1
9-1-3	4	M042	DE91-70061C	ASSY H.V.FUSE; THV060T,5KV,700,SCREW,BLU,	SA	1
9-1-4	4	M039	2501-001011	C-OIL HIGH VOLTAGE; 910nF,2100V,BK,34x54x	SA	1
9-1-5	4	M040	DE61-01263A	BRACKET-HVC; 0.7ECO PLATFORM,EGI-SECC,T0.	SA	1
9-2	3	P327	DE94-02632A	ASSY BRACKET-BASE; FG88SUST,TRANSFORMER	SA	2
9-2-1	4	P076	DE61-01386A	BRACKET-BASE; MBO Project,GI-SGCC,T1.2,W0	SA	2
10	2	X078	DE60-60071A	PIN-STAPLE; ALL,MSWR,T0.9	SNA	10
11	1		DE90-02027A	ASSY POWER PACK; FG87SST/XEG,230V 50HZ,TR	SNA	1
11-1	2	M038	DE26-00144A	TRANS H.V; SHV-EURO4-1,230V,2370/3.50V,AL	SA	1
11-2	2	M035	OM75P(31)ESGN	ASSY-MGT; ASSY-MGT		1
12	2		DE61-01384A	HINGE-DOOR (U); HINGE DOOR (U),CR-SPCC,T2	SA	1
13	2		DE61-01385A	HINGE-DOOR (L); HINGE DOOR (L),CR-SPCC,T2	SA	1
14	2	M049	DE31-10154D	MOTOR AC DRIVE; 8Pole,21V,50-60Hz,200mA,3	SA	1
15	2	M051	DE71-00159A	COVER-CEILING; CN2835,MICA SHEET,T0.3,-,-	SA	1
16	2	M099	DE66-00226A	LEVER DOOR; 0.7ECO PLATFORM,PP,GH23,WHITE	SA	1
17	2		DE94-04945A	ASSY COVER AIR; MQ7000A,GI-SGCC,HALOGEN T	SA	1
17-1	3		DE63-00921A	COVER CEILING; MQ7000A,MICA SHEET,T0.3	SA	1
17-2	3		DE63-00917A	COVER AIR; MQ7000A,GI-SGCC,T0.4	SNA	1
17-3	3		4713-002343	LAMP-HALOGEN; 230V,110mA,25W,2500K(Frost)	SA	1
17-4	3		DE47-00041B	LAMP HOLDER HALOGEN; G9,1ea,SNAP IN FX,25	SA	1
18	1	M001	DE64-02356K	PANEL OUTER; FG87SUST/XEF,GI-SGCC,T0.5,W3	SA	1
19	1		DE90-01069B	ASSY GRILL PARTS; CERAMIC Coating,ENAMEL,	SNA	1
19-1	2	H061	DE47-00016A	HEATER SHEATH-GRILL; AC230V,BKT,1100W(108	SA	1
19-2	2	M008	DE63-00049B	GASKET-HEATER; CELLO,BRASS,T1,NATURAL	SNA	1

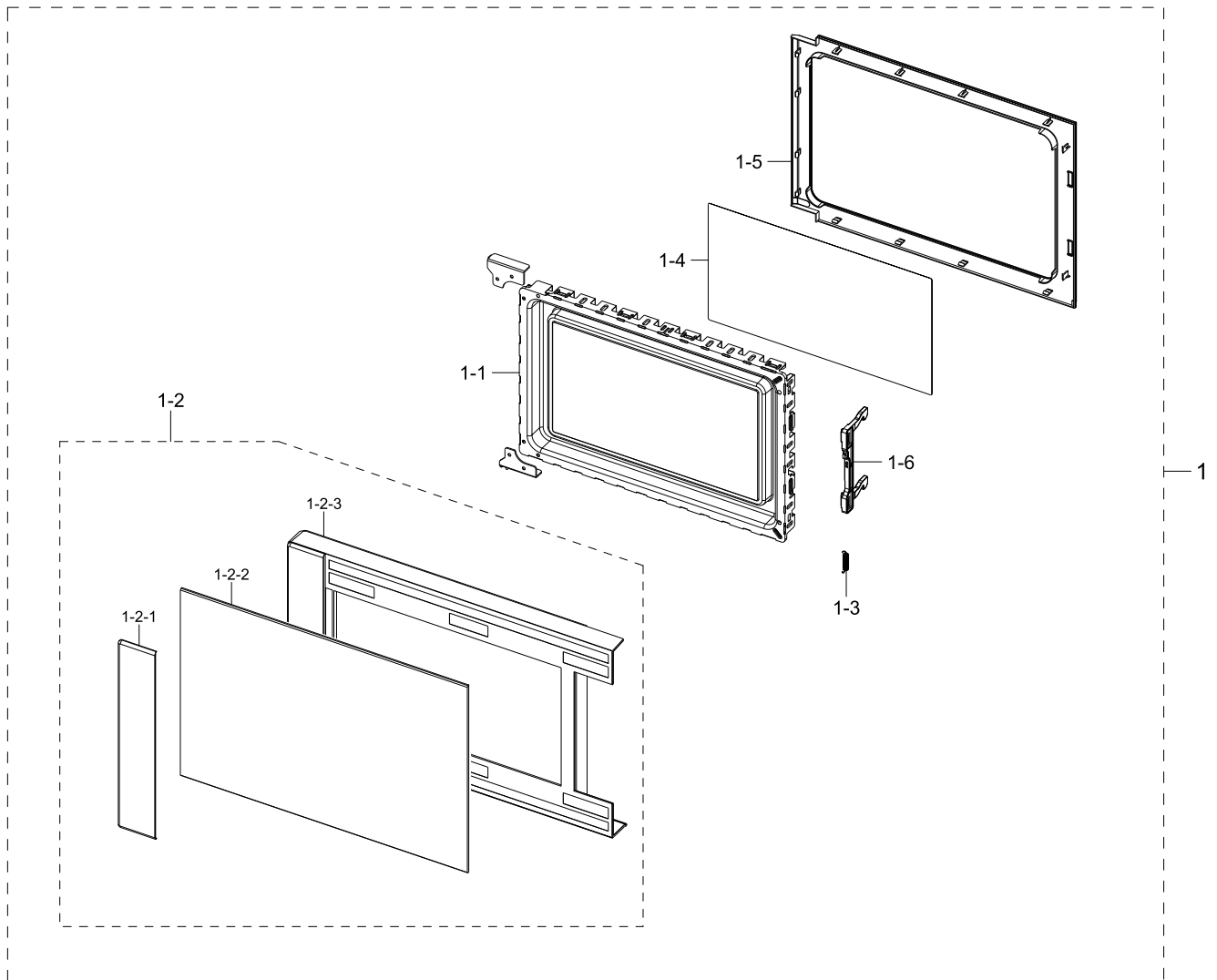
## Exploded Views and Parts List

No.	Lvl.	Loc.	Material Code	Description & Specification	SNA	Qty.
19-3	2	M012	DE61-01529A	BRACKET HEATER; 1.1 CELLO,EGI-SECC,T0.8	SNA	1
19-4	2	M003	DE61-01318A	BRACKET-UPPER(GRILL); 0.8 Chic,EGI-SECC,T	SNA	1
19-5	2	M535	DE61-30008A	SUPPORT HEATER; GE87H/BAL,ALUMINA,W31,L40	SA	1
19-6	2	M005	DE61-70060A	SPRING-PLATE; SK5,T0.5	SNA	1
19-7	2	M483	DE65-20014A	CABLE CLAMP; NY-66,DA-6N	SNA	1
19-8	2	M058	6052-000075	CABLE CLAMP; PI 5.0, L75mm,T0.3,Si,WHITE	SNA	1
19-9	2	P186	DE63-00678A	COVER BACK; 0.8 chic,EGI-SECC,T0.4,GRILL	SNA	1
20	2	M436	DE47-20009A	THERMOSTAT; AC125/250V,15/10A,150C,60C,No	SA	1
21	2	H024	DE60-30016A	NUT FLANGE; MSWR-SWRM,MSWR10	SNA	2
22	2		DE94-02903A	ASSY CAVITY WELDING; TRANSFORMER,0.8 BUIL	SNA	1
23	2	M447	DE47-20010A	THERMOSTAT; AC125/250V,15/10A,120C,60C,No	SA	1

## 2. Assy Door

Assy Door

### Exploded View



### Parts List

No.	Lvl.	Loc.	Material Code	Description & Specification	SNA	Qty.
1	1	D049	DE94-02667T	ASSY DOOR-MODULE; FG87SST/XEF,ABS,STSS,MB	SA	1
1-1	2	D211	DE94-02344B	ASSY DOOR E-COATING; MW73ER-1,BLACK,ECO P	SNA	1
1-2	2	D037	DE94-02666A	ASSY DOOR A ; MTBI(Transformer),ABS,NEO-ST	SA	1
1-2-1	3		DE64-02544A	INLAY-DOOR (I TYPE); INLAY DOOR (I TYPE),	SNA	1
1-2-2	3	D003	DE64-02547A	SCREEN DOOR; SCREEN DOOR (I TYPE),GLASS,T	SNA	1

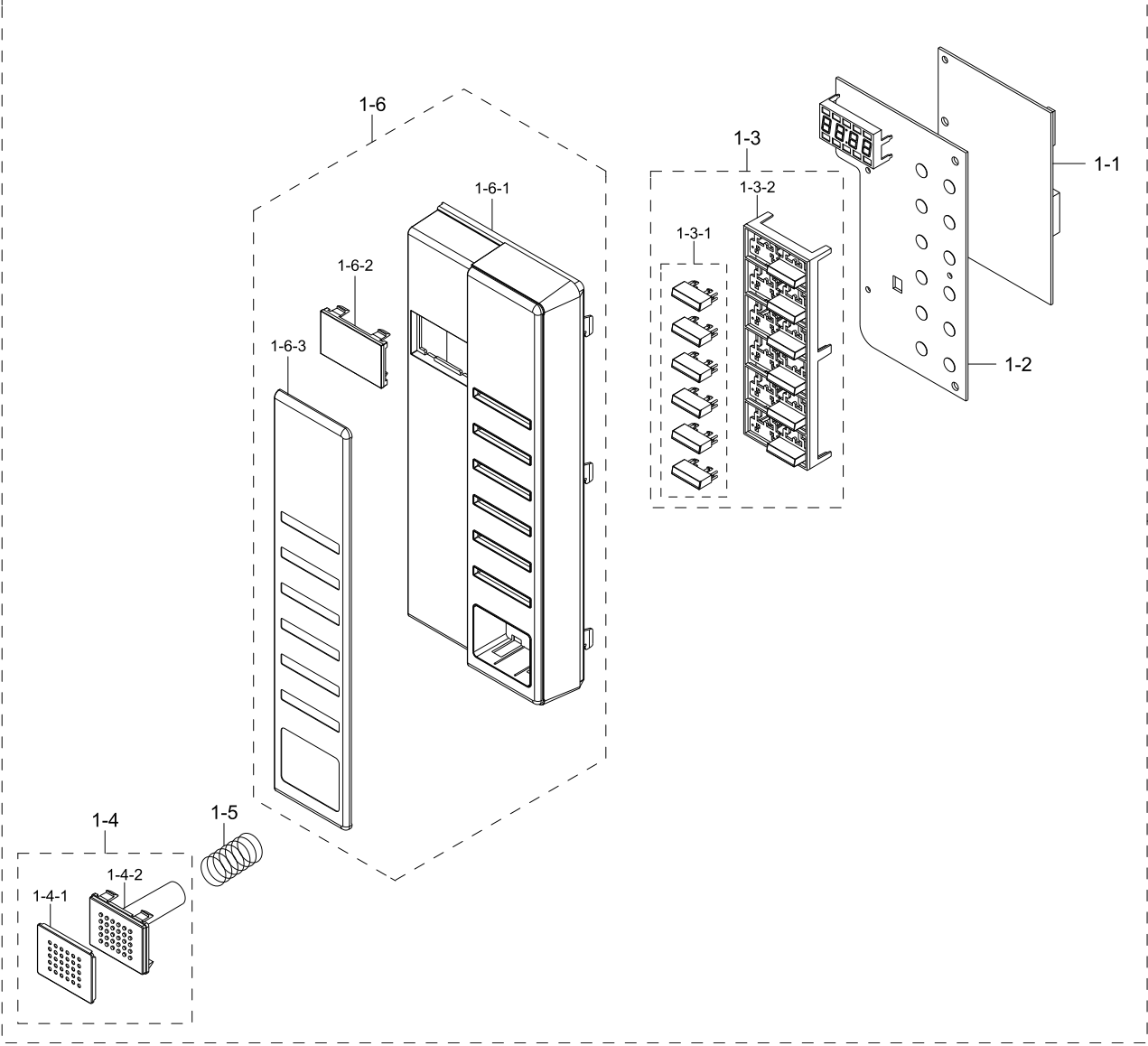
## Exploded Views and Parts List

No.	Lvl.	Loc.	Material Code	Description & Specification	SNA	Qty.
1-2-3	3	D002	DE64-02541A	DOOR A; FG87SST/XEF,ABS,HG-0760SR,NATURAL	SA	1
1-3	2	D007	DE61-00198A	SPRING KEY; M1877,HSWR-SWRH,PI0.7,D6,24 1	SNA	1
1-4	2	D005	DE64-00221E	FILM DOOR; -,CE2877N,PET,T0.15,W143,L264,	SNA	1
1-5	2	D006	DE64-02436A	DOOR C; MW73E,PP+TD30%,HB,TB53,BLACK,MT44	SA	1
1-6	2	D011	DE64-02355A	KEY DOOR; 0.7ECO PLATFORM,POM,BLACK	SA	1

# 3. Assy Control Box

Assy Control Box

## Exploded View



## Parts List

No.	Lvl.	Loc.	Material Code	Description & Specification	SNA	Qty.
1	1		DE94-04742A	ASSY CONTROL BOX-MODULE; FG87SUST/EG,STSS	SNA	1
1-1	2	F316	DE92-03391D	ASSY PCB MAIN; RCS-TRFM-07,TRANSFORMER-PJ	SA	1
1-2	2	C084	DE96-00935A	ASSY KEY MODULE; FG88SUST,DKM-TRFM-00,Gri	SA	1
1-3	2	C048	DE94-02630A	ASSY BUTTON SELECT; FG88SUST,NEO SILVER,t	SA	1
1-3-1	3		DE64-02540A	BUTTON SELECT; FG88SUST/XEO,ABS,NATURAL,T	SA	6
1-3-2	3		DE64-02539A	BUTTON SELECT; FG88SUST,ABS,NATURAL,TRANS	SA	1
1-4	2	C206	DE94-02634A	ASSY BUTTON-PUSH; FG88SUST,NEO SILVER,TRA	SA	1
1-4-1	3	C207	DE64-02545A	INLAY-BUTTON; INLAY BUTTON,STAINLESS-STSS4	SA	1
1-4-2	3	C007	DE64-02537A	BUTTON PUSH; FG88SUST,ABS,NATURAL,ABS HG0	SA	1
1-5	2	C006	DE61-70026A	SPRING-BUTTON; SWP,PI0.7,D17,L25.8	SNA	1
1-6	2		DE94-02606A	ASSY CONTROL PANEL-(STSS); FG88SUST,NEO S	SA	1
1-6-1	3		DE64-02533A	CONTROL-PANEL(STSS); FG88SUST/XEO,ABS,HG-	SNA	1
1-6-2	3	C009	DE64-02535A	WINDOW-DISPLAY; WINDOW DISPLAY,SAN,CR-538	SA	1
1-6-3	3		DE64-02542A	INLAY PANEL; INLAY PANEL,STAINLESS-STSS430	SNA	1