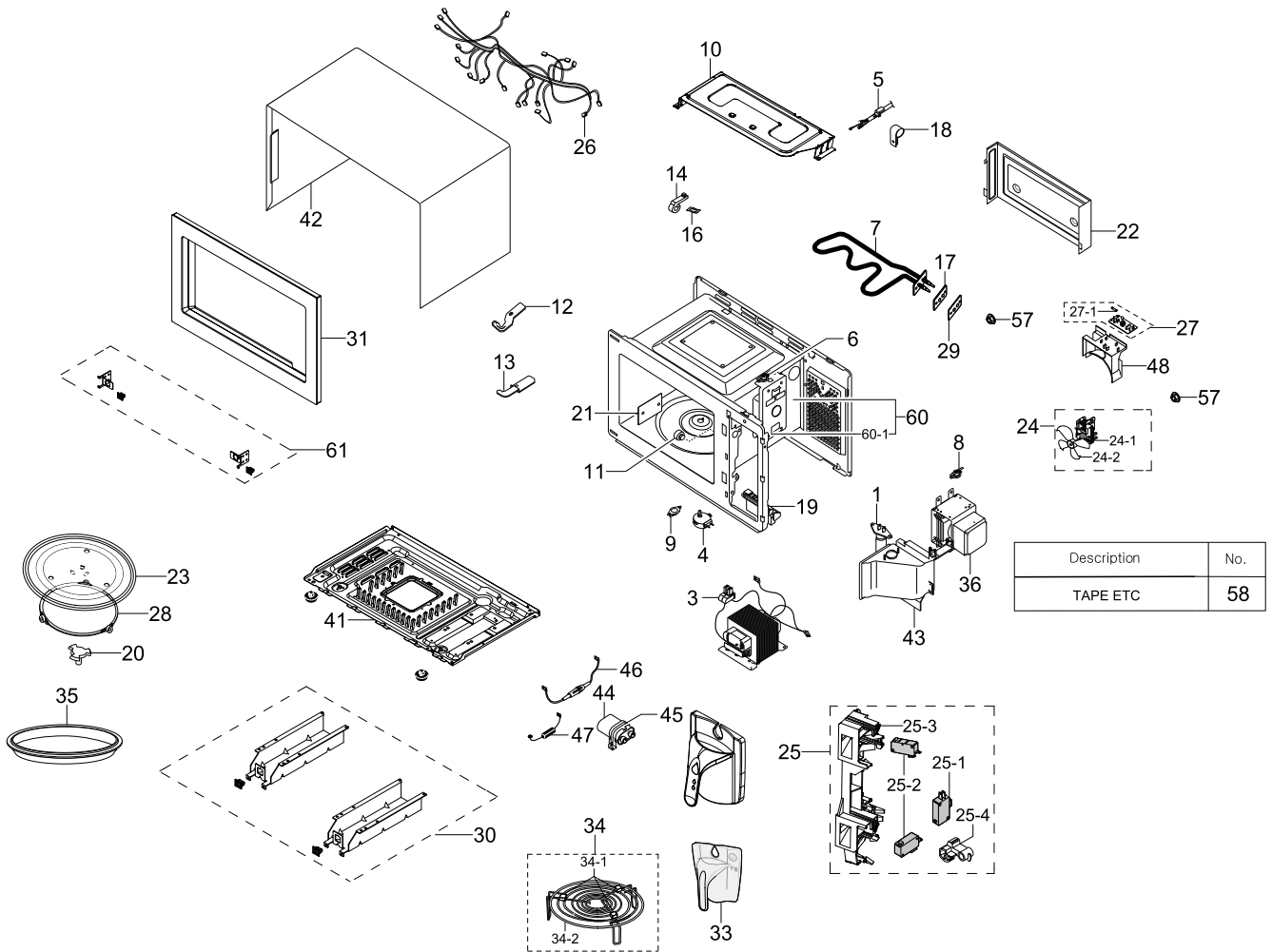


1. Main

Exploded View



Parts List

No.	Lvl.	Loc.	Material Code	Description & Specification	SNA	Qty.
1	2	M036	4713-001524	LAMP-INCANDESCENT; 230V,20W	SA	1
3	2	M038	DE26-00144A	TRANS H.V; SHV-EURO4-1,230V,50Hz,2380V/3.	SA	1
4	2	M049	DE31-10154D	MOTOR SYNCHRONOUS; SSM-16H,CMO,FREE,5/6 R	SA	1
5	1	M015	DE96-00385E	ASSY POWER CORD; CEE,Straight,250V/10A,H0	SA	1
6	2	M451	DE47-20032B	THERMOSTAT; NT-101,125/250V,855,755,1	SA	1
7	2	H061	DE47-00016C	HEATER SHEATH; SHG-EGE86A,GE86V-SS,1100W(SNA	1
8	2	M436	DE47-20009A	THERMOSTAT; NT-101,125/250V,150(1607,60	SA	1
9	2	M447	DE47-20010A	THERMOSTAT; NT-101,125/250V,1205,6015	SA	1
10	2	M003	DE61-01318A	BRACKET-UPPER(GRILL); 0.8 Chic,EGI-SECC,T	SA	1

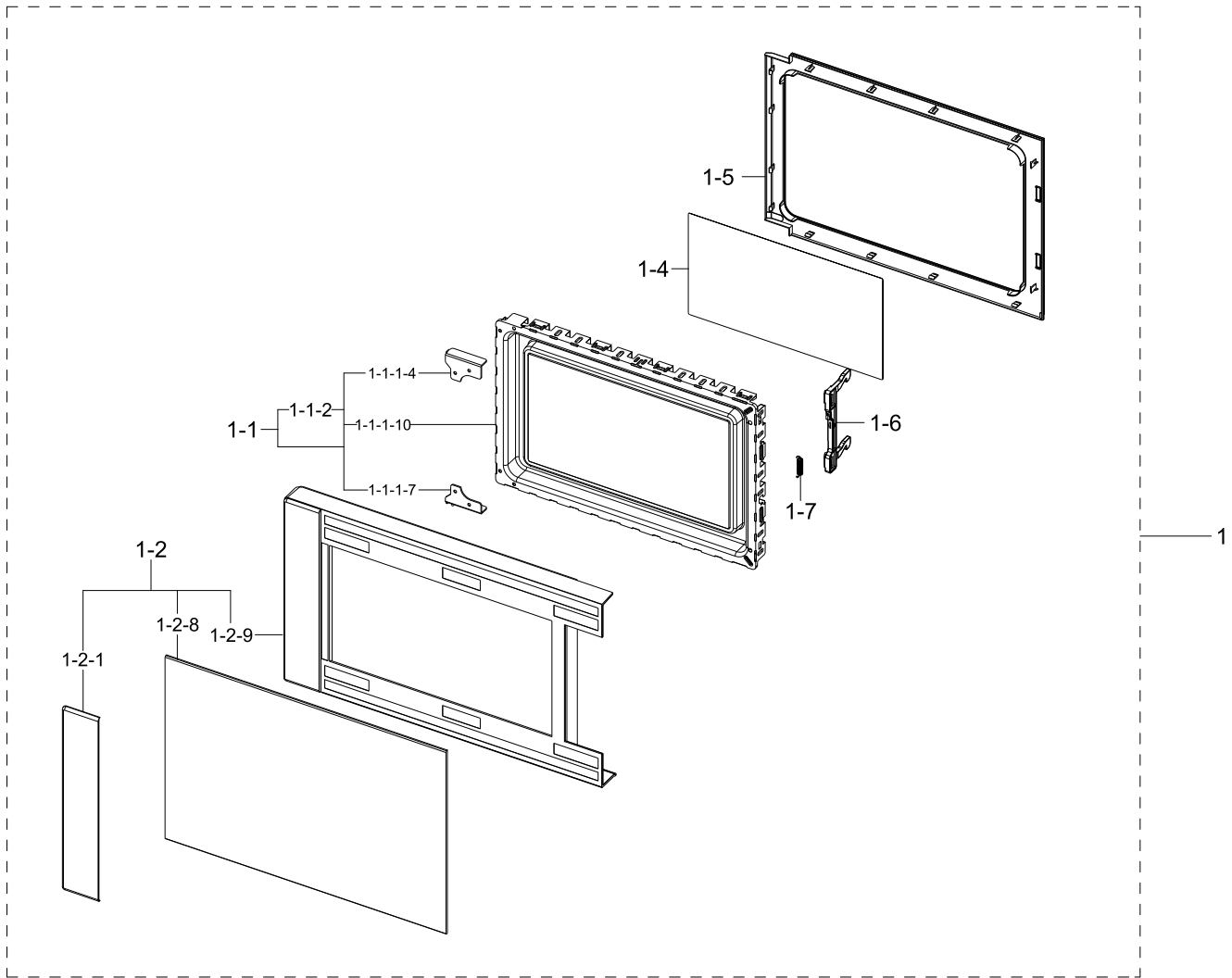
Exploded Views and Parts List

No.	Lvl.	Loc.	Material Code	Description & Specification	SNA	Qty.
11	2	M187	DE61-00725A	STOPPER; GE87W/GE107W,PPS,CLEAN-BOWL	SA	1
12	2		DE61-01384A	HINGE-DOOR (U); HINGE DOOR (U),CR-SCP1,T2	SA	1
13	2		DE61-01385A	HINGE-DOOR (L); HINGE DOOR (L),CR-SCP1,T2	SA	1
14	2	M535	DE61-30008A	SUPPORT-HEATER; GE87H/BAL,ALUMINA,T12,W11	SA	1
16	2	M005	DE61-70060A	SPRING-PLATE; SK5,T0.5	SA	1
17	2	M008	DE63-00049A	GASKET-HEATER; CE2613N,BRASS,T1.0,W53,L15	SA	1
18	2	M483	DE65-20014A	CABLE CLAMP; NY-66,DA-6N	SA	1
19	2	M099	DE66-00226A	LEVER DOOR; 0.7ECO PLATFORM,PP,WHITE	SA	1
20	2	M034	DE67-00258A	COUPLER; 0.7ECO PLATFORM,PPS,BROWN	SA	1
21	2	M051	DE71-00159A	COVER-CEILING; CN2835,MICA SHEET,T0.3,W11	SA	1
22	2	P186	DE63-00678A	COVER-BACK; 0.8 chic,EGI-SECC,T0.5,GRILL	SA	1
23	2	T001	DE74-20102D	TRAY-COOKING; G643C-1(3RD-0.6),GLASS,T6,-	SA	1
24	2	M020	DE96-00848A	ASSY MOTOR FAN; MW73BR,SMF-E73A,230V 50Hz	SA	1
24-1	3	M023	DE31-10184J	MOTOR FAN; SMF-E73A,230V/50Hz,2450rpm,9T	SA	1
24-2	3	H018	DE31-00063A	BLADE-FAN; 0.7ECO PLATFORM,PP,GREY	SA	1
25	1	B022	DE94-02265D	ASSY BODY LATCH; AGE83X/XAP,ECO PLATFORM	SA	1
25-1	2	B046	3405-001032	SWITCH-MICRO; 125/250VAC,16A,200GF,SPDT	SC	1
25-2	2	S0021	3405-000178	SWITCH-MICRO; 250V,16A,200gf,SPST-NO	SNA	2
25-3	2	B076	DE66-00225A	LATCH-BODY(BUTTON); 0.7/0.8 ECO PLATFORM,	SA	1
25-4	2	L0001	DE66-00234A	LEVER-SWITCH; MW73B,POM,26,31.1,WHITE,ECO	SA	1
26	1	W002	DE96-00406A	ASSY WIRE HARNESS-A; GE87W,-,GRILL	SA	1
27	2	M017	DE96-00399A	ASSY NOISE FILTER; MW840,SN-UF11A,250V15A	SA	1
27-1	3	M019	3601-001197	FUSE-CARTRIDGE; 250V,15A,SLOW-BLOW,CERAMI	SA	1
28	3	T165	DE94-02266D	ASSY GUIDE ROLLER; MW73BR/BWT (ECO),SPS,T	SA	1
29	2	M094	DE63-00048A	GASKET-STOPPER; CE2613N,EGI-SECC,T1.0,W53	SA	1
30	2	P327	DE94-02632A	ASSY BRACKET-BASE; FG88SUST,TRANSFORMER	SA	2
31	3	M166	DE97-00574A	ASSY TRIM KIT; FG87KST,WHT,MTBI	SA	1
33	3	X020	DE75-00066A	BOWL-WATER; STEEL HEART,PP,E205,(NEW)	SA	1

No.	Lvl.	Loc.	Material Code	Description & Specification	SNA	Qty.
34	3	T010	DE97-00106G	ASSY WIRE RACK; GE89MPSR/BWT,ALL 0.8 ENAM	SA	1
34-1	4	X008	DE60-80042A	SPACER-RACK WIRE; TEFLON,L10,ID3.0,W10	SA	3
34-2	4	T030	DE74-70071D	RACK-WIRE; 0.7/NC2000,MSWR-SWRM,PI3,D230,	SA	1
35	3	T131	DE74-20114B	TRAY-BROILER; -,AL,0.8,350,350,350,-,-,-	SNA	1
36	2	M035	OM75P(31)ESGN	ASSY-MGT; ASSY-MGT		1
41	2	M048	DE61-01262C	BASE-PLATE; FG88SUST,GI-SGCC,T0.5,TRANSFO	SA	1
42	1	M001	DE64-02356D	PANEL-OUTER; GS89-S,EGI-SECC,T0.4,488.8,B	SA	1
43	2	M037	DE63-00651A	COVER-AIR; 0.7ECO PLATFORM,GI-SGCC,T0.4	SA	1
44	2	M039	2501-001011	C-OIL; 910nF,2100V,BK,54x35x75mm,20mm	SA	1
45	2	M040	DE61-01263A	BRACKET-HVC; 0.7ECO PLATFORM,GI-SGCC,T0.6	SA	1
46	2	M042	DE91-70061C	ASSY H.V.FUSE; -,THV060T-0700-H,5KV/0.70A	SA	1
47	2	M527	DE59-00002A	DIODE-H.V; MWO ALL,2CL4512H,-,450mA 13KV,	SC	1
48	2		DE63-00652B	COVER-BLOWER (GRILL); 0.7ECO PLATFORM,PP,	SA	1
57	2	H024	DE60-30016A	NUT-FLANGE; MSWR-SWRM,MSWR10	SA	2
58	3		DE02-00168A	TAPE ETC; OPP,W75,L1000,TRANSPARENT	SNA	1
60	3	M515	DE94-02267C	ASSY WAVE GUIDE; GS89F,SPP,T 0.5,CHIC PJT	SNA	1
60-1	4	P096	DE61-01391B	BRACKET-MGT; CE73JD,SPP,T0.8	SNA	1
61	3	M060	DE97-00575A	ASSY HARD WARE; MTBI,-,-	SA	1

1.1. Assy Door

Exploded View



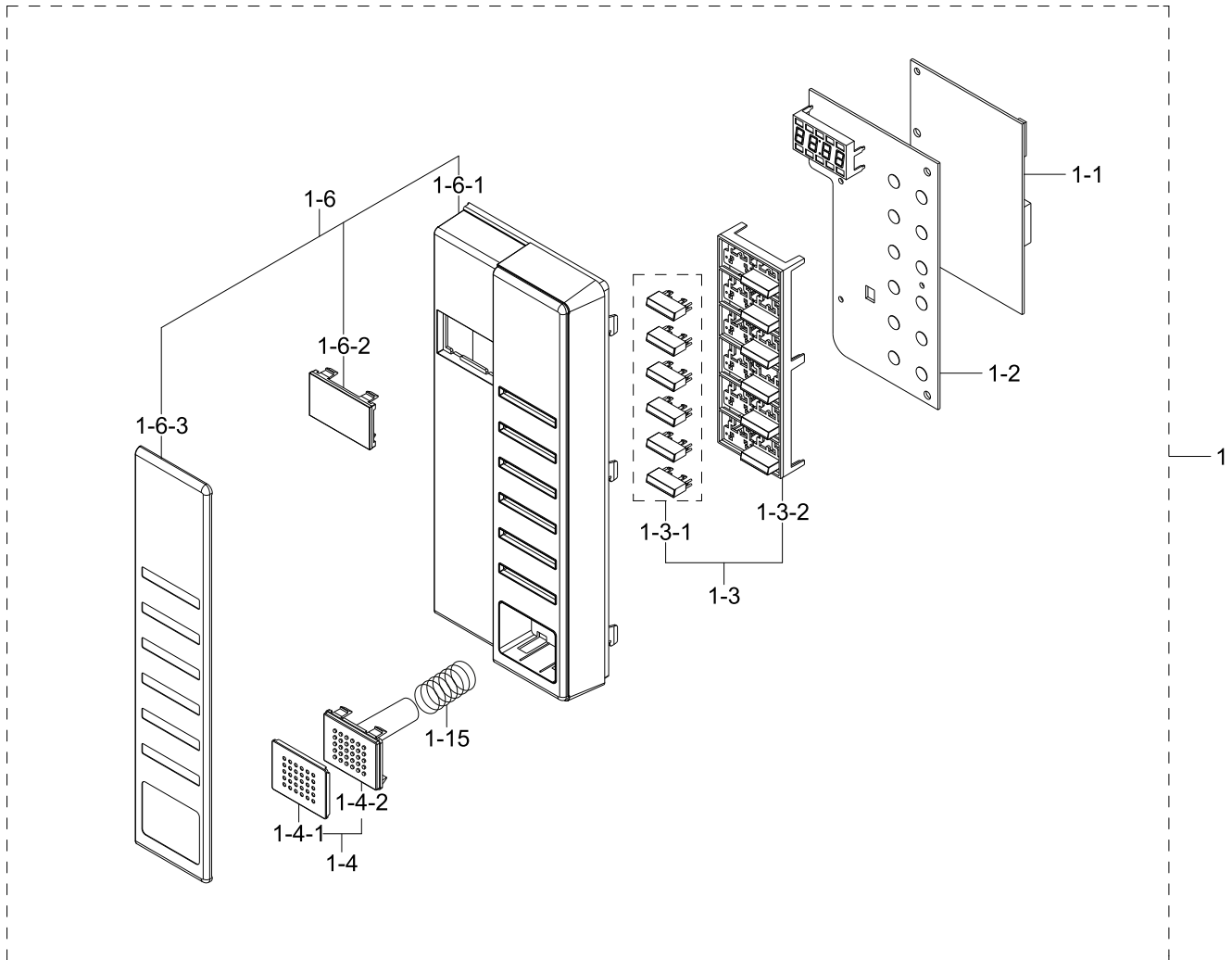
Parts List

No.	Lvl.	Loc.	Material Code	Description & Specification	SNA	Qty.
1	1	D049	DE94-02667A	ASSY DOOR; FG87SST,MTBI(TRANSFORMER),ABS,	SNA	1
1-1	2	D211	DE94-02344B	ASSY DOOR E-COATING; MW73ER-1,SCP T0.4,WH	SA	1
1-1-1-4	4	Q116	DE61-01325A	BRACKET-DOOR HINGE(UPPER); CHIC PJT.,CR-S	SA	1
1-1-1-7	4	Q091	DE61-01326A	BRACKET-DOOR HINGE(LOWER); CHIC PJT.,CR-S	SA	1
1-1-1-10	4	D210	DE64-02433A	DOOR-E; MW73ER-1,CR-SCP2,T0.4,Gaia Eco	SA	1
1-1-2	3	D212	DE94-02344A	ASSY DOOR E; MW73ER-1,SCP T0.4,WHITE,ECO	SA	1
1-2	2	D037	DE94-02666A	ASSY DOOR-A; MTBI(Transformer),ABS,NEO-ST	SA	1

No.	Lvl.	Loc.	Material Code	Description & Specification	SNA	Qty.
1-2-1	3		DE64-02544A	INLAY-DOOR (I TYPE); INLAY DOOR (I TYPE),	SA	1
1-2-8	3		DE64-02547A	SCREEN-DOOR (I TYPE); SCREEN DOOR (I TYPE)	SA	1
1-2-9	3		DE64-02541A	DOOR-A (I TYPE); FG87SST/XEF,ABS,NEO SILV	SA	1
1-4	2	D005	DE64-00221E	FILM-DOOR; -,CE2877N,PET,T0.15,W143,L264,	SA	1
1-5	2	D006	DE64-02436A	DOOR-C; MW73E,PP,BLACK,ECO GAIA PJT.	SA	1
1-6	2	D011	DE64-02355A	KEY-DOOR; 0.7ECO PLATFORM,POM,BLACK	SA	1
1-7	2	D007	DE61-00198A	SPRING-KEY; M1877,HSWR-SWRH,PI0.7,D6,24 1	SA	1

1.2. Assy Control Box

Exploded View



Parts List

No.	Lvl.	Loc.	Material Code	Description & Specification	SNA	Qty.
1	1	C082	DE94-02763C	ASSY CONTROL BOX; FG87SST/XEC,ABS,TRANSFO	SNA	1
1-1	2	F316	DE92-03442B	ASSY PCB MAIN; FG88SUST/XEO,RCS-TRFM-07,Y	SA	1
1-2	2	C084	DE96-00935B	ASSY KEY MODULE; FG88SST,DKM-TRFM-01,Gril	SA	1
1-3	2	C048	DE94-02630A	ASSY BUTTON SELECT; FG88SUST,NEO SILVER,t	SNA	1
1-3-1	3		DE64-02540A	BUTTON-SELECT B; FG88SUST/XEO,ABS,NEO SIV	SA	1
1-3-2	3		DE64-02539A	BUTTON-SELECT A; FG88SUST,ABS,NEO SILVER,	SA	1

No.	Lvl.	Loc.	Material Code	Description & Specification	SNA	Qty.
1-4	2	C206	DE94-02634A	ASSY BUTTON-PUSH; FG88SUST,NEO SILVER,TRA	SNA	1
1-4-1	3	C207	DE64-02545A	INLAY-BUTTON; INLAY BUTTON,STAINLESS-STSS4	SA	1
1-4-2	3		DE64-02537A	BUTTON-PUSH (STSS); FG88SUST,ABS,NEO SILV	SA	1
1-6	2		DE94-02606A	ASSY CONTROL PANEL-(STSS); FG88SUST,NEO S	SNA	1
1-6-1	3		DE64-02533A	CONTROL-PANEL(STSS); FG88SUST/XEO,ABS,NEO	SNA	1
1-6-2	3	C009	DE64-02535A	WINDOW-DISPLAY; WINDOW DISPLAY,SAN,SAN	SA	1
1-6-3	3		DE64-02542A	INLAY PANEL; INLAY PANEL,STAINLESS-STSS430	SA	1
1-15	2	C006	DE61-70026A	SPRING-BUTTON; SWP,PI0.7,D17,L25.8	SA	1