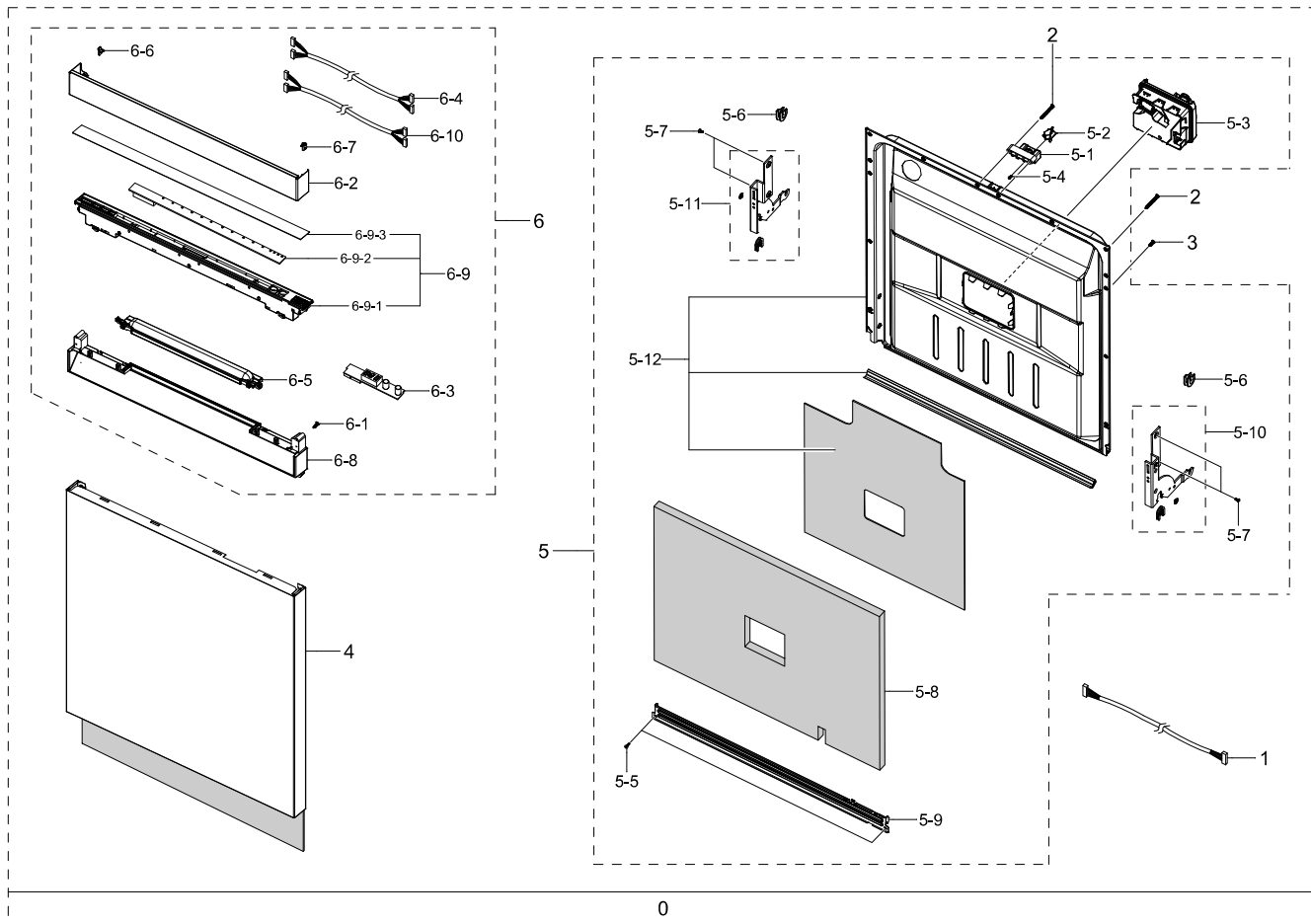


1. DW60R7050FW/EC

Exploded View



Parts List

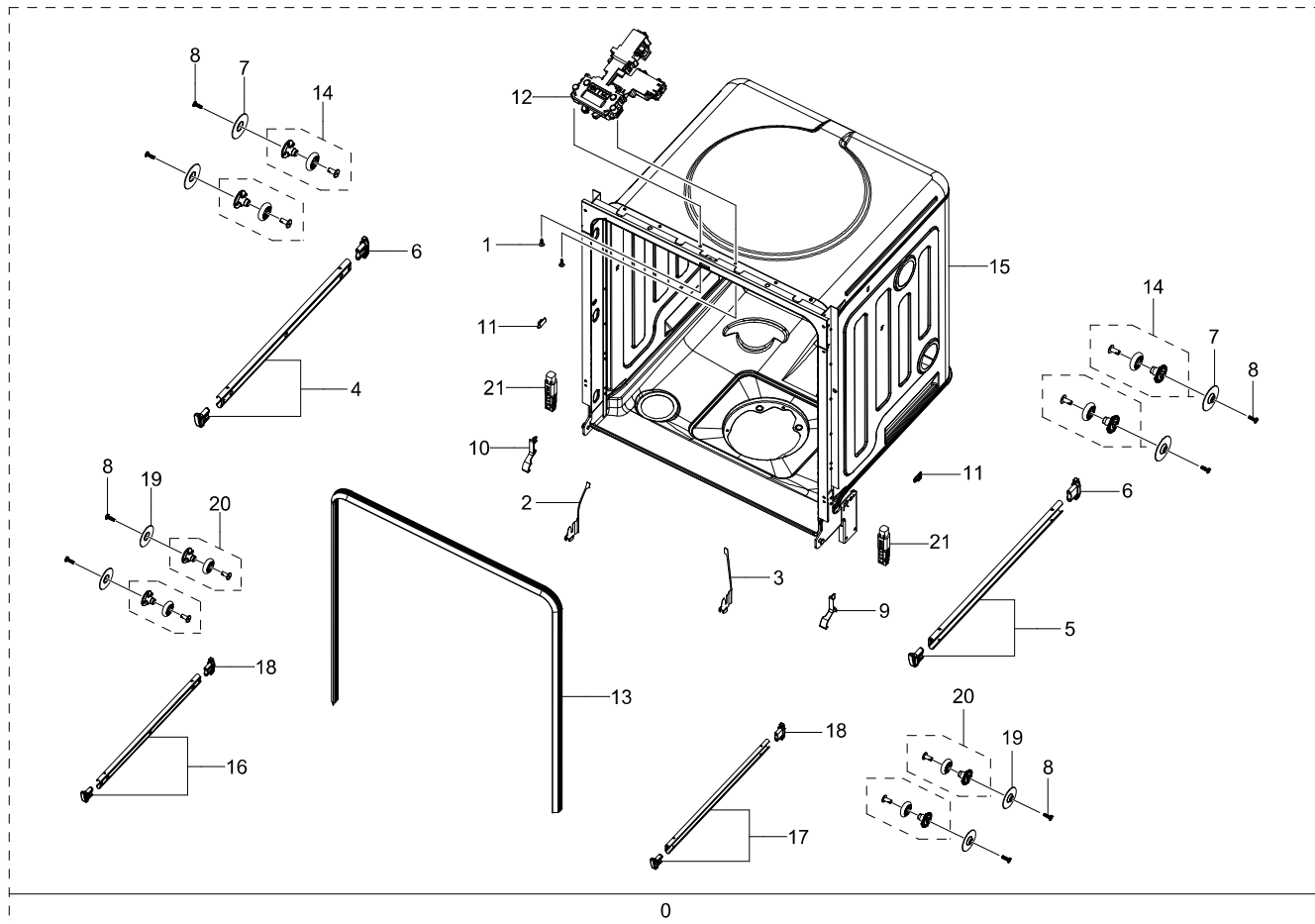
No.	Lvl.	Loc.	Material Code	Description & Specification	SNA	Qty.
0	1		DD82-01790J	A/S ASSY-DOOR; DW7500RM,ODM,7050FW,MASCOT	SNA	1
1	2		DD81-03034A	A/S-SUB WIRE HARNESS L; DW7500RM,ODM,1717	SA	1
2	2		DD81-03011A	A/S-SCREW SPECIAL; DW7500RM,Torx 20, L47,	SNA	6
3	2		DD81-02758A	A/S-SCREW-SPECIAL T15 L; DW2900RM,1130320	SA	8
4	2		DD81-02521B	A/S-DOOR OUTER; ODM, DW5500MM,FS,BU,white	SA	1
5	2		DD82-01792B	A/S ASSY-DOOR INNER; DW7500RM,ODM,FS	SNA	1
5-1	3		DD81-02447A	A/S-HOLDER-DOOR LOCK; DW5500MM	SA	1
5-2	3		DD81-02492A	A/S-DOOR LOCK HOOK; DW5500MM	SA	1
5-3	3		DD81-02654A	A/S-DISPENSER RINSE AID; DW5500MM,ODM,BIT	SA	1
5-4	3		DD81-02694A	A/S-SCREW HOUSING; DW5500MM,ODM,M8xL13	SA	1
5-5	3		DD81-02728A	A/S-SCREW-MACHINE; DW2900RM,1130113200011	SA	2
5-6	3		DD81-02763A	A/S-HOLDER HINGE; DW2900RM,12176000003629	SA	2

Exploded Views and Parts List

No.	Lvl.	Loc.	Material Code	Description & Specification	SNA	Qty.
5-7	3		DD81-02764A	A/S-SCREW-MACHINE HINGE; DW2900RM,1130112	SA	4
5-8	3		DD81-02997A	A/S-ABSORBER DOOR INNER; DW7500RM,7070,OD	SA	1
5-9	3		DD82-01811A	A/S ASSY-BRACKET DOOR FRAME; DW7500RM,ODM	SA	1
5-10	3		DD82-01675A	A/S ASSY-HINGE-RIGHT; DW2900RM,ODM,122760	SA	1
5-11	3		DD82-01676A	A/S ASSY-HINGE-LEFT; DW2900RM,ODM,1227600	SA	1
5-12	3		DD82-01779A	A/S ASSY-DOOR INNER SUB; DW7500RM,ODM,707	SNA	1
6	2		DD82-01791H	A/S ASSY-CONTROL PANEL; DW7500RM,ODM,7050	SNA	1
6-1	3		DD81-02758A	A/S-SCREW-SPECIAL T15 L; DW2900RM,1130320	SA	8
6-2	3		DD81-02992F	A/S-DOOR FRONT; DW7500RM,ODM,7040FW,MASCO	SA	1
6-3	3		DD81-02933A	A/S-PBA SEGMENT; DW4000RM,ODM,4060BB	SA	1
6-4	3		DD81-02934B	A/S-WIRE HARNESS SUB SEGMENT; DW7500RM,OD	SA	1
6-5	3		DD81-02993C	A/S-COVER HANDLE; DW7500RM,ODM,UW,FW	SA	1
6-6	3		DD81-02994C	A/S-GUIDE FRONT LEFT; DW7500RM,ODM,UW,FW	SA	1
6-7	3		DD81-02995C	A/S-GUIDE FRONT RIGHT; DW7500RM,ODM,UW,FW	SA	1
6-8	3		DD81-02996C	A/S-HANDLE DOOR; DW7500RM,ODM,UW,FW	SA	1
6-9	3		DD82-01778C	A/S ASSY-CONTROL PANEL SUB; DW7500RM,ODM,	SA	1
6-9-1	4		DD81-03001C	A/S-CONTROL PANEL; DW7500RM,ODM,UW,FW	SNA	1
6-9-2	4		DD81-03002A	A/S-SUB PBA; DW7500RM,ODM,7070UG	SNA	1
6-9-3	4		DD81-03003B	A/S-WINDOW PANEL; DW7500RM,ODM,7070*S,705	SNA	1
6-10	3		DD81-03035A	A/S-SUB WIRE HARNESS S; DW7500RM,ODM,1717	SA	1

2. Assy Tub

Exploded View



Parts List

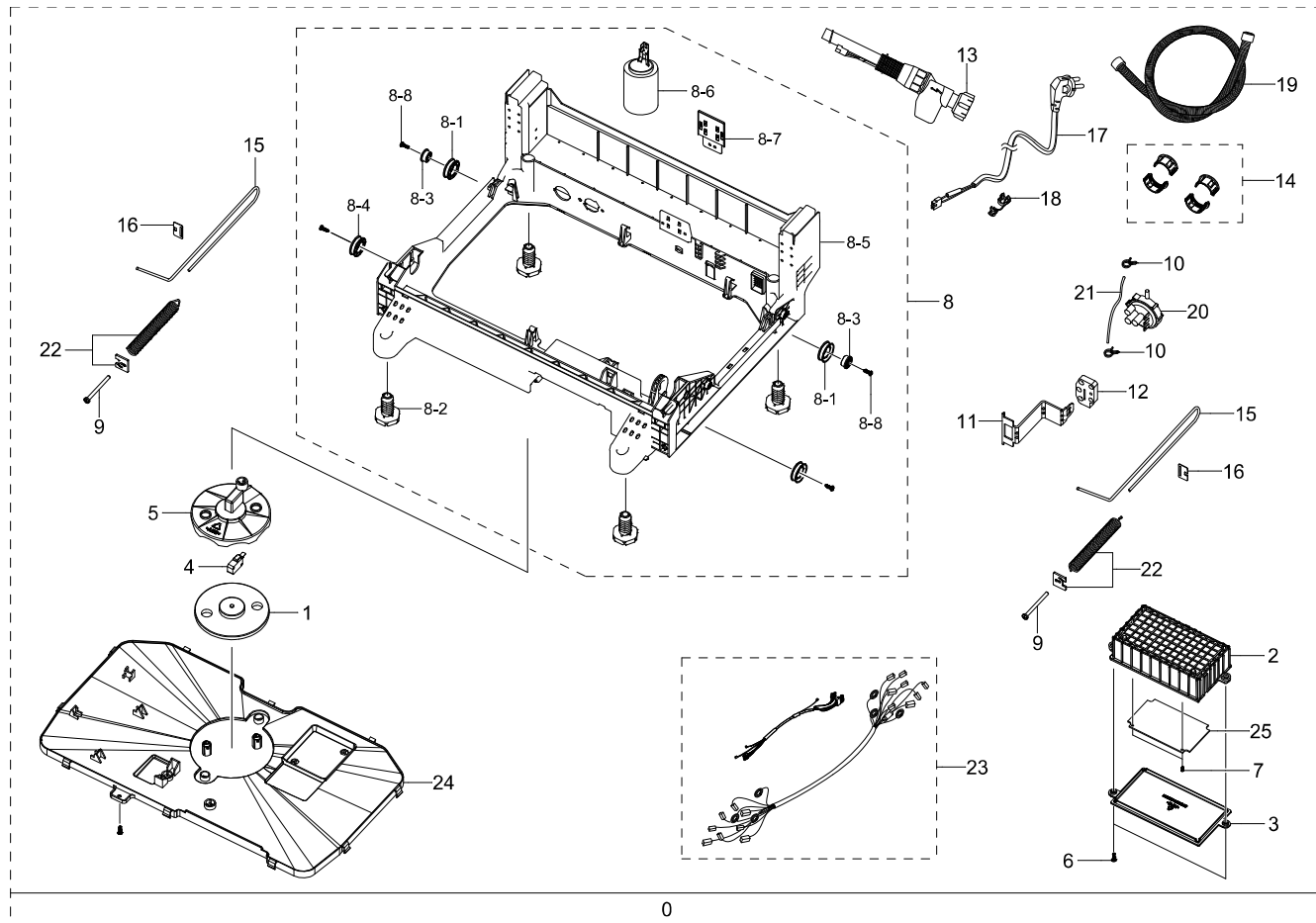
No.	Lvl.	Loc.	Material Code	Description & Specification	SNA	Qty.
0	1		DD82-01793A	A/S ASSY-TUB; DW7500RM,7070	SNA	1
1	2		DD81-02693A	A/S-SCREW TRIM SIDE; DW5500MM,ODM,M8xL11	SA	2
2	2		DD81-02700A	A/S-SEAL BLOCK L; DW5500MM,EPG,6730020001	SA	1
3	2		DD81-02701A	A/S-SEAL BLOCK R; DW5500MM,EPG,6730020001	SA	1
4	2		DD81-02766A	A/S-RAIL MID-LEFT; DW2900RM,1227600000135	SA	1
5	2		DD81-02767A	A/S-RAIL MID-RIGHT; DW2900RM,1227600000013	SA	1
6	2		DD81-02768A	A/S-HOLDER-RAIL MIDDLE REAR; DW2900RM,121	SA	2
7	2		DD81-02769A	A/S-BRACKET RAIL; DW2900RM,12176000008573	SA	4
8	2		DD81-02771A	A/S-SCREW-BRACKET RAIL; DW2900RM,11303223	SA	8
9	2		DD81-02774A	A/S-COVER TUB EDGE-RIGHT; DW2900RM,121760	SA	1
10	2		DD81-02775A	A/S-COVER TUB EDGE-LEFT; DW2900RM,1217600	SA	1
11	2		DD81-02782A	A/S-CAP DOOR GUIDE; DW2900RM,121760000035	SA	2
12	2		DD81-02897A	A/S-DOOR SWITCH; DW4000RM,ODM,4055FS,1747	SA	1

Exploded Views and Parts List

No.	Lvl.	Loc.	Material Code	Description & Specification	SNA	Qty.
13	2		DD81-02770A	A/S-SEAL TUB PACKING; DW2900RM,1267600000	SA	1
14	2		DD82-01677A	A/S ASSY-ROLLER; DW2900RM,ODM,12176000026	SA	4
15	2		DD82-01794A	A/S ASSY-TUB SUB; DW7500RM,7070	SNA	1
16	2		DD81-02958A	A/S-RAIL 3RD-LEFT; DW4000RM,ODM,4050BB,12	SA	1
17	2		DD81-02959A	A/S-RAIL 3RD-RIGHT; DW4000RM,ODM,4050BB,1	SA	1
18	2		DD81-02960A	A/S-HOLDER-RAIL 3RD REAR; DW4000RM,ODM,40	SA	2
19	2		DD81-02961A	A/S-BRACKET RAIL-3RD; DW4000RM,ODM,4050BB	SA	4
20	2		DD82-01771A	A/S ASSY-ROLLER RAIL 3RD; DW4000RM,ODM,40	SA	4
21	2		DD82-01728A	A/S ASSY-DAMPER DOOR; DW4000RM,ODM,4055FS	SA	2

3. Assy Base

Exploded View



Parts List

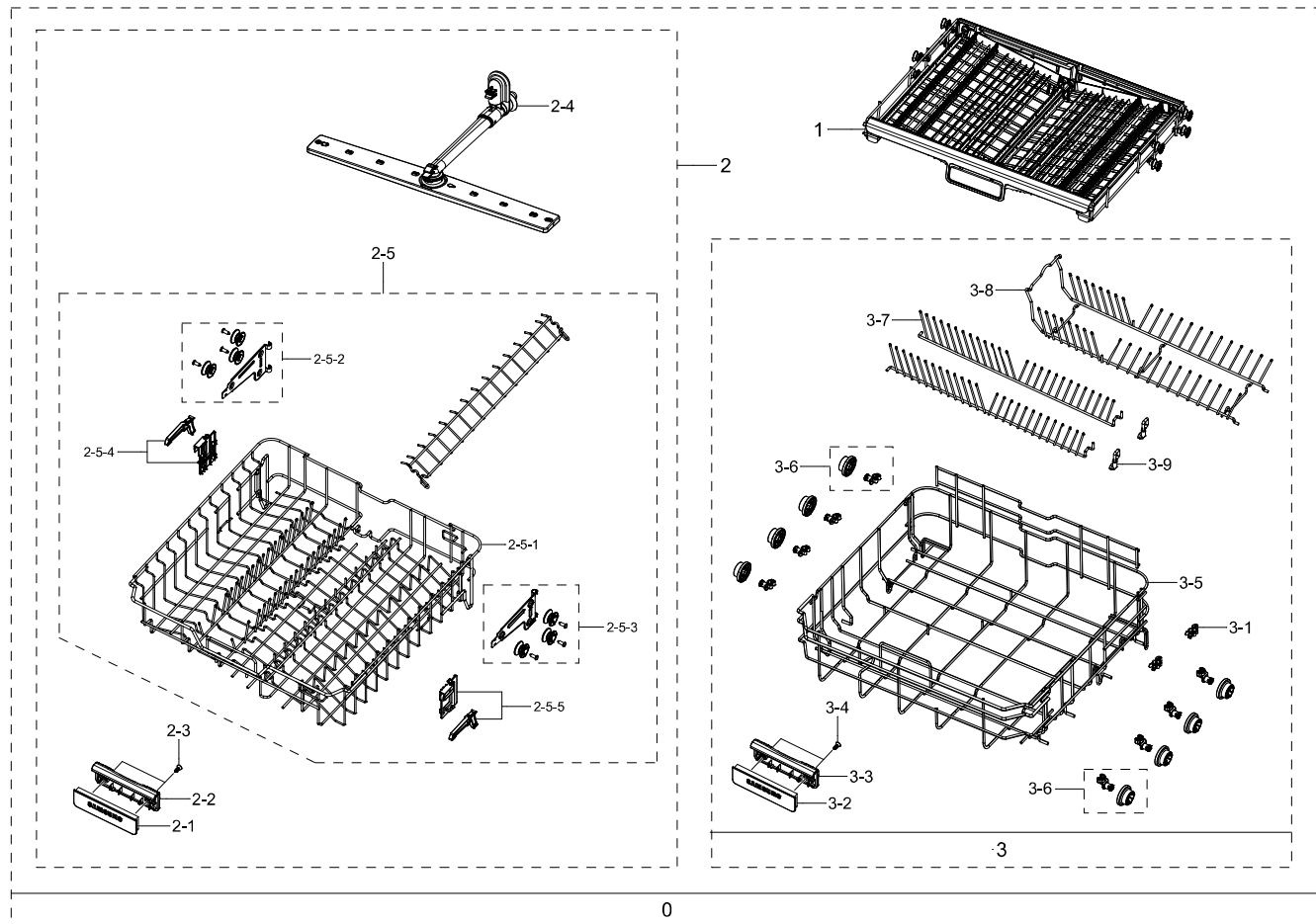
No.	Lvl.	Loc.	Material Code	Description & Specification	SNA	Qty.
0	1		DD82-01545G	A/S ASSY-BASE; DW7500RM,ODM,FreeStanding	SNA	1
1	2		DD81-02288A	A/S-CUSION SENSOR LEAKAGE; ODM, DW3000MM	SA	1
2	2		DD81-02354B	A/S-COVER PCB; DW7500RM,ODM	SA	1
3	2		DD81-02355B	A/S-GUIDE COVER PCB; DW7500RM,ODM	SA	1
4	2		DD81-02495A	A/S-MICRO SWITCH; DW5500MM	SA	1
5	2		DD81-02496A	A/S-COVER SENSOR LEAKAGE; DW5500MM	SA	1
6	2		DD81-02694A	A/S-SCREW HOUSING; DW5500MM,ODM,M8xL13	SA	2
7	2		DD81-02695A	A/S-SCREW PBA SUB; DW5500MM,ODM,FS,BU,M6.	SA	2
8	2		DD82-01782B	A/S ASSY-BASE SUB; DW7500RM,ODM,FS	SNA	1
8-1	3		DD81-02358A	A/S-ROLLER; 5500MM, ODM	SA	2
8-2	3		DD81-03010A	A/S-FOOT; DW7500RM,ODM,Free Standing	SA	4
8-3	3		DD81-02498A	A/S-ROLLER SUB; DW5500MM	SA	2

Exploded Views and Parts List

No.	Lvl.	Loc.	Material Code	Description & Specification	SNA	Qty.
8-4	3		DD81-02868A	A/S-ROLLER FIXED; DW4000RM,ODM,4055FS,121	SA	2
8-5	3		DD81-02554A	A/S-BASE; DW5500MM, Free Standing	SA	1
8-6	3		DD81-02983A	A/S-FILTER EMI; DW7500RM,11203602000295,O	SA	1
8-7	3		DD81-02982A	A/S-BRACKET FILTER EMI; DW7500RM,12276000	SA	1
8-8	3		DD81-02869A	A/S-ROLLER SCREW; DW4000RM,ODM,4055FS,113	SA	4
9	2		DD81-02796A	A/S-SHAFT SPRING; DW2900RM,12976000001001	SA	2
10	2		DD81-02806A	A/S-CLAMPER HOSE PRESSURE; DW2900RM,12976	SA	2
11	2		DD81-02978A	A/S-BRACKET DAMPER PUMP; DW7500RM,ODM	SA	1
12	2		DD81-02979A	A/S-DAMPER PUMP; DW7500RM,ODM	SA	1
13	2		DD81-02855A	A/S-VALVE WATER-SAFETY; DW4000RM,ODM,4055	SA	1
14	2		DD81-02856A	A/S-HOLDER HOSE DRAIN; DW4000RM,ODM,4055F	SA	2
15	2		DD81-02857A	A/S-HOLDER ROPE DOOR; DW4000RM,ODM,4055FS	SA	2
16	2		DD81-02858A	A/S-STOPPER ROPE DOOR; DW4000RM,ODM,4055F	SA	2
17	2		DD81-02861B	A/S-POWER CORD; DW7500RM,ODM,UCP2,CORE	SA	1
18	2		DD81-02862A	A/S-HOLDER POWER CORD; DW4000RM,ODM,4055F	SA	1
19	2		DD81-02863A	A/S-HOSE DRAIN; DW4000RM,ODM,4055FS,12676	SA	1
20	2		DD81-02864A	A/S-PRESSURE SENSOR; DW4000RM,ODM,4055FS,	SA	1
21	2		DD81-02448A	A/S-HOSE PRESSURE SWITCH; DW5500MM	SA	1
22	2		DD81-02494B	A/S-DOOR SPRING; ODM, DW5500MM,FS,BU	SA	2
23	2		DD81-02981A	A/S-WIRE HARNESS-MAIN; DW7500RM,ODM	SA	1
24	2		DD81-02357B	A/S-COVER BASE; DW7500RM,ODM,FS,121760000	SA	1
25	2		DD81-02980A	A/S-PCB MAIN; DW7500RM,7070,ODM	SA	1

4. Assy Basket

Exploded View



Parts List

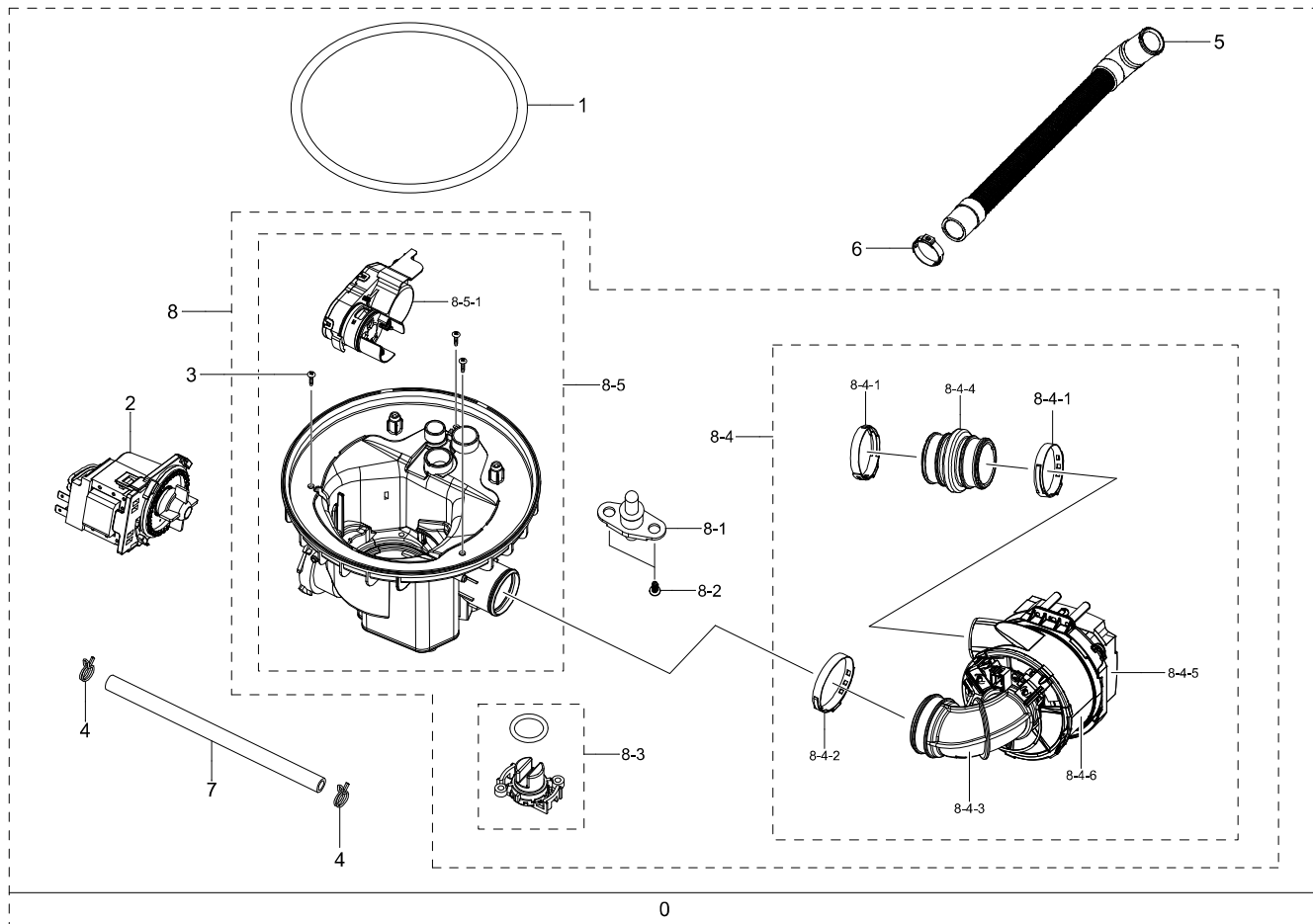
No.	Lvl.	Loc.	Material Code	Description & Specification	SNA	Qty.
0	1		DD82-01785B	A/S ASSY-BASKET PARTS; DW7500RM,7050	SNA	1
1	2		DD82-01499B	A/S ASSY-BASKET 3RD; DW7500RM,ODM,7070,70	SA	1
2	2		DD82-01496E	A/S ASSY-BASKET UPPER; DW7500RM,7070	SA	1
2-1	3		DD81-02899A	A/S-HANDLE BASKET UP; DW4000RM,ODM,4055FS	SA	1
2-2	3		DD81-02900B	A/S-HANDLE BASKET LOW; DW7500RM,PP+T20,OD	SA	1
2-3	3		DD81-02901A	A/S-SCREW HANDLE BASKET; DW4000RM,ODM,405	SA	2
2-4	3		DD82-01776A	A/S ASSY-ROTOR MIDDLE; DW7500RM,ODM	SNA	1
2-5	3		DD82-01786A	A/S ASSY-BASKET MIDDLE SUB; DW7500RM,7070	SNA	1
2-5-1	4		DD81-02467D	A/S-BASKET UPPER; DW7500RM,ODM,Silver	SNA	1
2-5-2	4		DD82-01717A	A/S ASSY-BRACKET ADJUSTER-LEFT; DW4000RM,	SA	1

Exploded Views and Parts List

No.	Lvl.	Loc.	Material Code	Description & Specification	SNA	Qty.
2-5-3	4		DD82-01718A	A/S ASSY-BRACKET ADJUSTER-RIGHT; DW4000RM	SA	1
2-5-4	4		DD82-01719B	A/S ASSY-ADJUSTER L; DW7500RM,VITAL ORANG	SA	1
2-5-5	4		DD82-01720B	A/S ASSY-ADJUSTER R; DW7500RM,VITAL ORANG	SA	1
3	2		DD82-01498F	A/S ASSY-BASKET LOWER; DW7500RM,ODM,7050	SA	1
3-1	3		DD81-02512A	A/S-HOLDER WIRE; ODM, DW5500MM	SA	2
3-2	3		DD81-02899A	A/S-HANDLE BASKET UP; DW4000RM,ODM,4055FS	SA	1
3-3	3		DD81-02900B	A/S-HANDLE BASKET LOW; DW7500RM,PP+T20,OD	SA	1
3-4	3		DD81-02901A	A/S-SCREW HANDLE BASKET; DW4000RM,ODM,405	SA	2
3-5	3		DD81-02485F	A/S-BASKET LOWER; DW7500RM,ODM,7050	SNA	1
3-6	3		DD82-01669A	A/S ASSY-ROLLER-LOW; DW2900RM,ODM,1217600	SA	8
3-7	3		DD81-01677B	A/S-WIRE TINE; DW7500RM,ODM,7070,7050,Sil	SNA	2
3-8	3		DD81-01697B	A/S-REMOVABLE TINE; DW7500RM,ODM,7070,705	SA	1
3-9	3		DD81-01676A	A/S-HOLDER TINE; DW60H6050,5050	SA	2

5. Assy Sump

Exploded View



Parts List

No.	Lvl.	Loc.	Material Code	Description & Specification	SNA	Qty.
0	1		DD82-01788A	A/S ASSY-SUMP PARTS; DW7500RM,7070	SNA	1
1	2		DD81-02449A	A/S-SEAL SUMP; DW5500MM	SA	1
2	2		DD81-02451A	A/S-PUMP-DRAIN; DW5500MM	SA	1
3	2		DD81-02718A	A/S-SCREW SUMP; DW2900RM,11303125000152	SA	3
4	2		DD81-02749A	A/S-CLAMPER HOSE INLET; DW2900RM,12976000	SA	2
5	2		DD81-02450A	A/S-HOSE-DRAIN IN; DW5500MM	SA	1
6	2		DD81-02739A	A/S-CLAMPER HOSE DRAIN; DW2900RM,12976000	SA	1
7	2		DD81-02508A	A/S-PVC HOSE; DW5500MM	SA	1
8	2		DD82-01732C	A/S ASSY-SUMP; DW7500RM,7070	SA	1
8-1	3		DD81-02737A	A/S-THERMISTOR; DW2900RM,17176000000297	SA	1
8-2	3		DD81-02738A	A/S-SCREW-THERISTOR; DW2900RM,11303122000	SA	2
8-3	3		DD81-02889A	A/S-SENSOR-TURBIDITY; DW4000RM,ODM,4055FS	SA	1
8-4	3		DD82-01777A	A/S ASSY-MOTOR PUMP; DW7500RM,ODM	SA	1

Exploded Views and Parts List

No.	Lvl.	Loc.	Material Code	Description & Specification	SNA	Qty.
8-4-1	4		DD81-02481A	A/S-CLAMPER HOSE OUT; DW5500MM,39.6	SA	2
8-4-2	4		DD81-02482A	A/S-CLAMPER HOSE IN; DW5500MM,46	SA	1
8-4-3	4		DD81-02989A	A/S-HOSE PUMP-IN; DW7500RM,ODM	SNA	1
8-4-4	4		DD81-02990A	A/S-HOSE PUMP-OUT; DW7500RM,ODM	SNA	1
8-4-5	4		DD81-02999A	A/S-MOTOR PUMP; DW7500RM,ODM	SNA	1
8-4-6	4		DD82-01789A	A/S ASSY-HEATER PUMP; DW7500RM	SNA	1
8-5	3		DD82-01734A	A/S ASSY-SUMP SUB; DW4000RM,ODM,4060BB,12	SA	1
8-5-1	4		DD81-02575A	A/S-MOTOR GEARED; DW5500MM	SA	1