


DV6000M_DV8XM6213EW/EG_V11

Material codes and names and their respective naming rules are managed in accordance with the prescribed standards. Please refer to these standards when requesting a material.

1. Material Code Type

● : Number

■ : Letter (Alphabet)

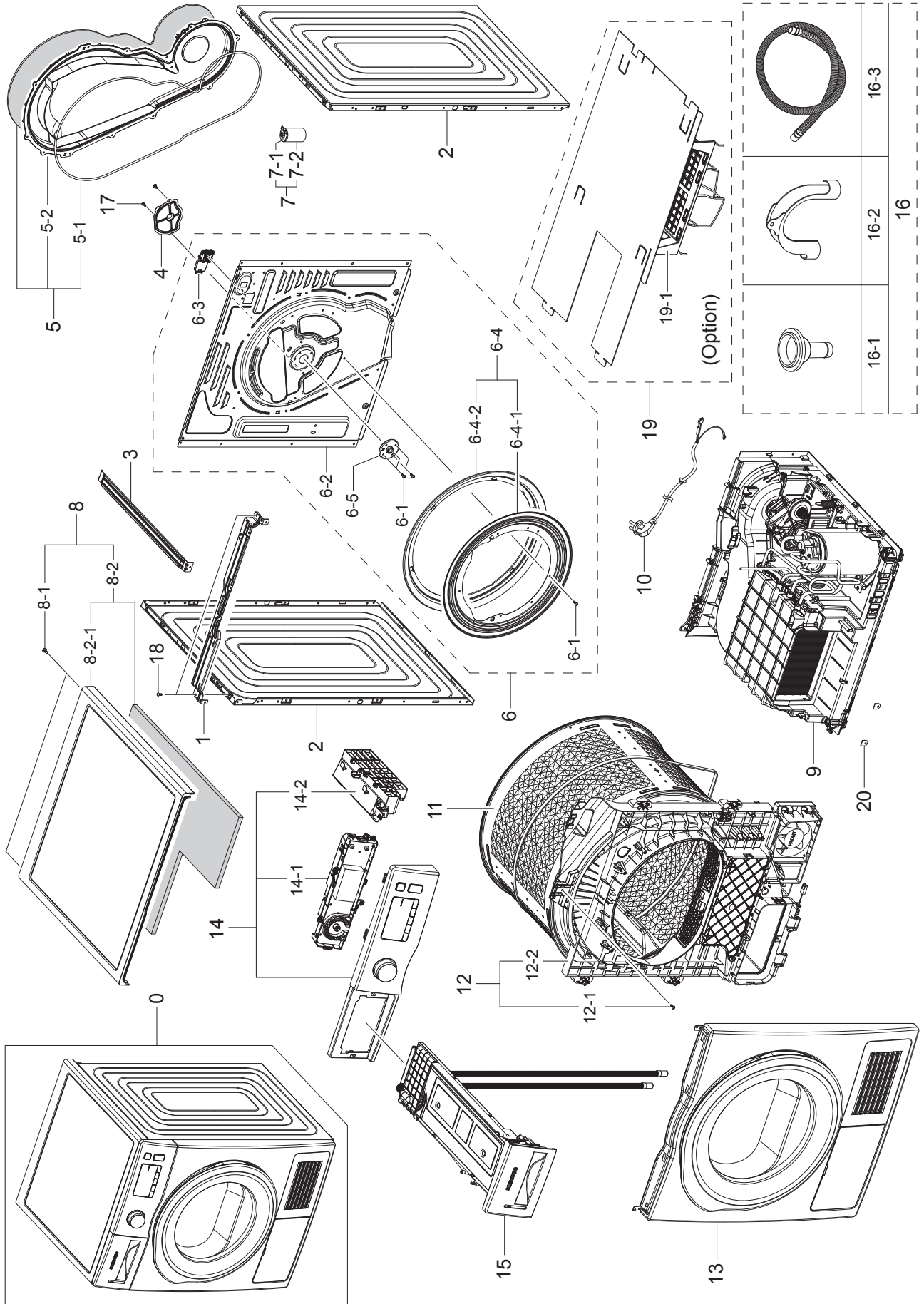
Type 1	 ex) 0204-000418 FREON	Enterprise-wide parts Type 1 materials can be used for all Samsung Electronics products. (Most electrical parts belong to this type.)
Type 2	 ex) DC96-01390A ASSY-CONTROL	Division-wide parts (DD**-Dish washer) Type 2 materials can be used for specific products. (Most instruments and tools belong to this type.)

2. Ass'y Materials

All ass'y material codes start with DD9*.

An ass'y material is created by combining more than two materials. If a requested material cannot be provided, you can request an ass'y material that contains that material.

1. MAIN



MODEL CODE (DV8XM6213EW/EG_V11)

Service Bom (SA: SERVICE AVAILABLE, SNA: SERVICE NOT AVAILABLE)

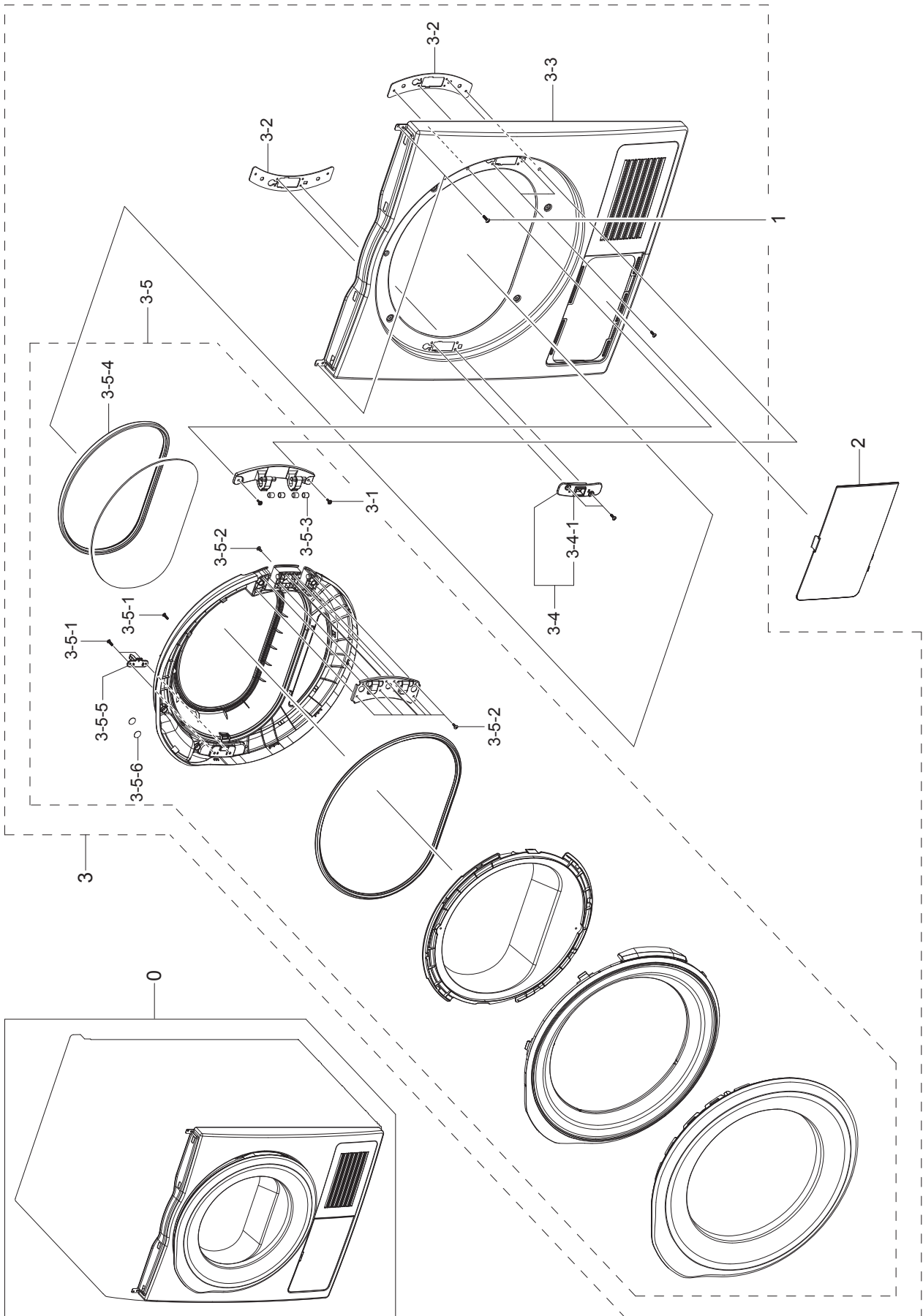
SVC Code	Code No.	Description	Specification	QTY	Un	SA/SNA
0	DV8XM6213EW/EG_V11	ASSY-CLOTHES DRYER	DV6000M			
1	DC61-03629A	FRAME PLATE-UP	DV90F5E6HGW,GI-SGCC,T1.0	1	PC	SA
2	DC61-03638A	FRAME-SIDE	DV90F5E6HGW,EGI-SECC,-,DA WHI	2	PC	SA
3	DC61-03639A	GUIDE WIRE	DV90F5E6HGW,GI-SGCC,T1.0	1	PC	SA
4	DC63-01263A	COVER BEARING	SDC18809,EGI-SECC,T0.8,W10	1	PC	SA
5	DC93-00720A	ASSY COVER DUCT	DV5000M,PP+Packing-Tub+S	1	PC	SNA
5-1	DC62-00377C	SEAL DUCT	DV90F5E6HGW,EPDM,BLACK,-,L1840	1	PC	SA
5-2	DC63-02060A	COVER DUCT FAN	DV80M8215AW/EG,PP,HB,DARK	1	PC	SA
6	DC97-20441A	ASSY FRAME-REAR	DV5000M,dv500f,ETC,-	1	PC	SNA
6-1	6002-000239	SCREW-TAPPING	TH,+,NO,2S,M4,L8,ZPC(WHT),	8	PC	SNA
6-2	DC61-03637B	FRAME-REAR	DV80M8215AW,GI-SGCC,T0.7	1	PC	SA
6-3	DC63-01964A	COVER CONNECTOR	PP,T2.5,HB,NATURAL,HASS	1	PC	SNA
6-4	DC93-00093A	ASSY GASKET FELT SUB	GE24-DRYER,DCVH480E	1	PC	SA
6-4-1	DC61-02263A	BRACKET GASKET FELT	DCVH480EK0WW,STS430,	1	PC	SA
6-4-2	DC93-00093A	ASSY GASKET FELT SUB	GE24-DRYER,DCVH480E	1	PC	SA
6-5	DC97-16288A	ASSY HOUSING BEARING	D100-PJT,SDC18809(O	1	PC	SA
7	DC97-20185A	ASSY FILTER GUIDE	DV8000M,DV80M8214AW,FI	1	PC	SNA
7-1	DC61-04408A	BRACKET FILTER	DV80M8215AW/EG,GI-SGCC,T0	1	PC	SA
7-2	DC29-00015G	FILTER EMI	LFT-215G,300Khz,VDE, KS,6.5mH	1	PC	SA
8	DC90-24930A	ASSY COVER TOP PARTS	DV5000M	1	PC	SNA
8-1	6002-001431	SCREW-TAPPING	HEX,+,2,M5,L16,ZPC(WHT),SW	2	PC	SA
8-2	DC97-20438A	ASSY COVER TOP	DV5000M,3.5,DA WHITE	1	PC	SA
8-2-1	DC63-01606A	COVER TOP	DV90F5E6HGW,ABS,T3.5,-,DA WHIT	1	PC	SA
9	DC90-24987A	ASSY BASE PARTS	DV5000M	1	PC	SNA
10	3903-001192	CBF-POWER CORD	AT,EU3F,Gray,1500,H05VV-F	1	PC	SA
11	DC90-13381A	ASSY DRUM	DV-F500E 9KG	1	PC	SNA
12	DC90-25042A	ASSY INNER PARTS	DV5000M,DV90M5000QW/EU	1	PC	SNA
12-1	6006-001174	SCREW-TAPPING	TH,+,WT,2S,M4,L12,ZPC(WHT)	1	PC	SNA
12-2	DC97-19978E	ASSY DRUM FRONT	DV90M5000QW/EU,DV5000M	1	PC	SA
13	DC90-25529A	ASSY FRONT PARTS	DV80M6210EW/EN	1	PC	SNA
14	DC90-25393A	ASSY PANEL CONTROL PARTS	DV8XM6213EW/EG	1	PC	SNA
14-1	DC92-02026B	ASSY KIT	FCD_INV,DV6000M,INVERTER, 8KG	1	PC	SA
14-2	DC92-02056A	ASSY HOLDER PCB	DV8000M,DV80M8214AW/EN	1	PC	SNA
15	DC90-25084A	ASSY DRAWER PARTS	DV5000M	1	PC	SNA
16	DC98-03342A	ASSY ACCESSORY	DV5000M	1	PC	SNA
16-1	DC61-02479A	GUIDE HOSE	SDC18809,PP,T1.5,L34.5,NTR,D1	1	PC	SA
16-2	DC62-10278A	HOSE HANGER	PUMP MODEL,PP,BLACK	1	PC	SA

MODEL CODE (DV8XM6213EW/EG_V11)

Service Bom (**SA**: SERVICE AVAILABLE, **SNA**: SERVICE NOT AVAILABLE)

SVC_ Code	Code No.	Description	Specification	QTY	Un	SA/ SNA
16-3	DC97-15757C	ASSY HOSE DRAIN	D100,SDC18809,L1998,ID9.	1	PC	SA
17	6002-000239	SCREW-TAPPING	TH,+,NO,2S,M4,L8,ZPC(WHT),	2	PC	SNA
18	6009-001240	SCREW-SPECIAL	TH,+,M5,L13.5,ZPC(WHT),SWR	2	PC	SNA

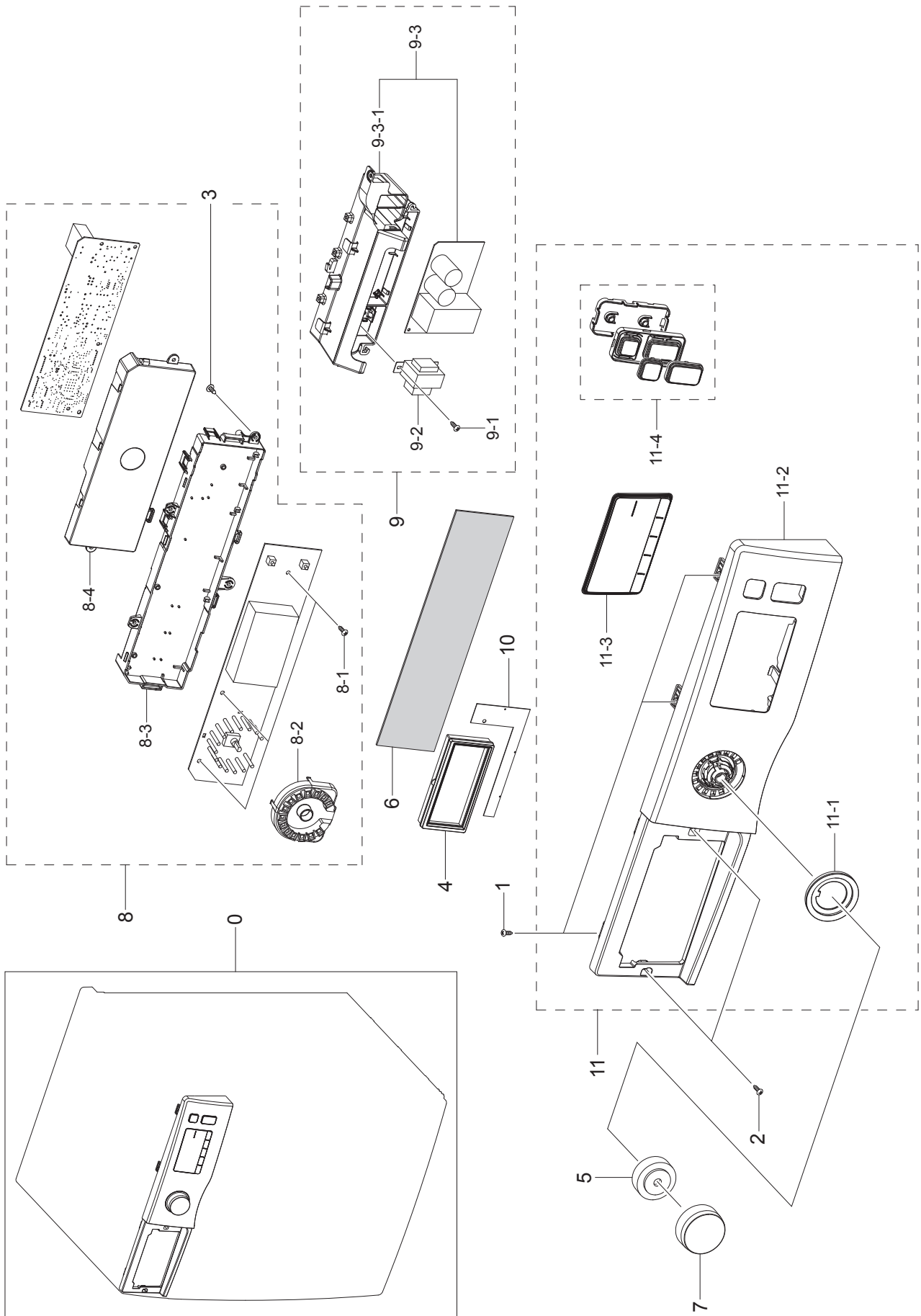
2. ASSY FRONT PARTS



MODEL CODE (DV8XM6213EW/EG_V11)Service Bom (**SA**: SERVICE AVAILABLE, **SNA**: SERVICE NOT AVAILABLE)

SVC_ Code	Code No.	Description	Specification	QTY	Un	SA/ SNA
0	DC90-25529A	ASSY FRONT PARTS	DV80M6210EW/EN	1	PC	SNA
1	6006-001174	SCREW-TAPPING	TH,+,WT,2S,M4,L12,ZPC(WHT)	2	PC	SNA
2	DC63-02078A	COVER CONDENSER	DV6000M,ABS,HB,DA WHITE	1	PC	SA
3	DC97-17440W	ASSY FRAME FRONT	DV6000M,DV80M6210CW/EC,	1	PC	SA
3-1	6009-001522	SCREW-HEX	HWH,+,M5,L16,PASS,STS430,FP,SE	2	PC	SA
3-2	DC61-02283C	BRACKET HINGE	DV5000M,HGI-SGHC,T2	1	PC	SNA
3-3	DC61-03640C	FRAME FRONT	DV6000K,EGI-SECD,DA WHITE,T0	1	PC	SA
3-4	DC97-15505B	ASSY HOLDER LEVER	D100,SDC18809,DARK HOL	1	PC	SA
3-4-1	DC61-02253B	HOLDER LEVER	D100,POM,DARK HOLDER GRAY	1	PC	SA
3-5	DC97-20549B	ASSY DOOR	DV6000K,DA WHITE	1	PC	SNA
3-5-1	6002-000213	SCREW-TAPPING	TH,+,1,M4,L12,ZPC(WHT),SWR	9	PC	SNA
3-5-2	6002-000445	SCREW-TAPPING	TH,+,NO,2,M4,L18,PASS,STS4	5	PC	SNA
3-5-3	DC61-00891A	GUIDE HINGE	HAUZEN(DOM),POM,NTR(WHT),HIN	4	PC	SA
3-5-4	DC62-00488A	SEAL AIR	DV6000K,TPE,XR-1045	1	PC	SA
3-5-5	DC66-00643A	LEVER DOOR	DV-F500E,ZNDC,PLATING NI	1	PC	SA
3-5-6	DC64-03237A	INLAY-DOOR	PET,T0.3,DA WHITE,OD:21	2	PC	SNA

3. ASSY PANEL CONTROL PARTS

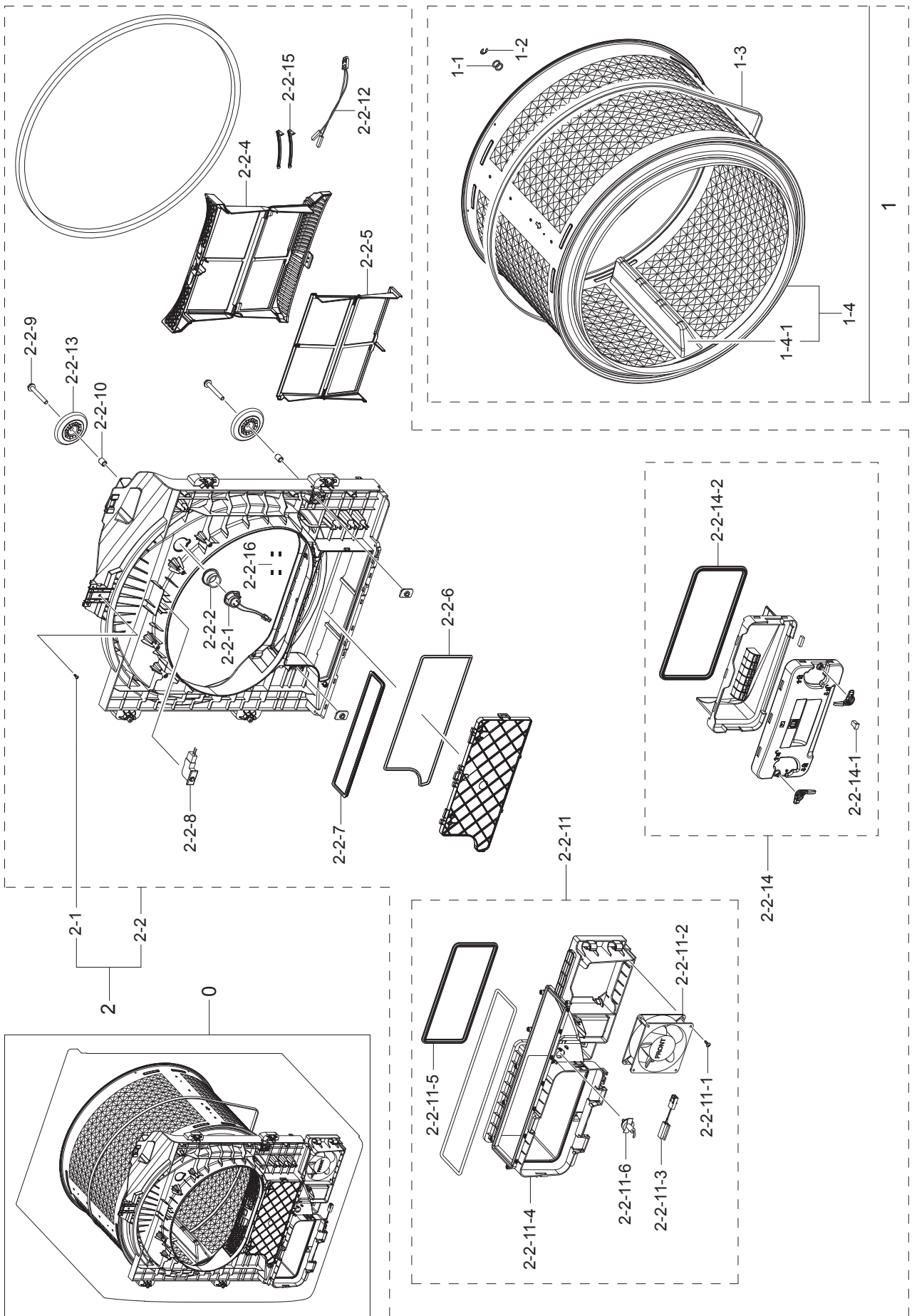


MODEL CODE (DV8XM6213EW/EG_V11)

Service Bom (SA: SERVICE AVAILABLE, SNA: SERVICE NOT AVAILABLE)

SVC Code	Code No.	Description	Specification	QTY	Un	SA/SNA
0	DC90-25393A	ASSY PANEL CONTROL PARTS	DV8XM6213EW/EG	1	PC	SNA
1	6002-000239	SCREW-TAPPING	TH,+,NO,2S,M4,L8,ZPC(WHT),	3	PC	SNA
2	6002-000445	SCREW-TAPPING	TH,+,NO,2,M4,L18,PASS,STS4	2	PC	SNA
3	6002-001306	SCREW-TAPPING	TH,+,1,M4,L14,ZPC(WHT),SWR	3	PC	SNA
4	DC62-00402A	SEAL RUBBER	EPDM,BLACK,-,BEST	1	PC	SA
5	DC62-00404B	SEAL RUBBER	EPDM,BLACK	1	PC	SNA
6	DC63-01801A	SHEET PCB	DV80H4100CW,PC,-,V0,3022R,BLAC	1	PC	SNA
7	DC64-03312A	KNOB ENCODER	F500E,ABS+PMMA,WT0035, TP00	1	PC	SNA
8	DC92-02026B	ASSY KIT	FCD_INV,DV6000M,INVERTER, 8KG	1	PC	SA
8-1	6002-000239	SCREW-TAPPING	TH,+,NO,2S,M4,L8,ZPC(WHT),	2	PC	SNA
8-2	DC61-03098A	BRACKET-ENCODER	ARNO,HIPS,T1.5,W75.8,L78	1	PC	SNA
8-3	DC63-02064A	COVER PCB-SUB	DV80M8215AW/EG,HIPS,V-0,NA	1	PC	SA
8-4	DC63-02065A	COVER PCB-MAIN	DV80M8215AW/EG,HIPS,V0,NA	1	PC	SA
9	DC92-02056A	ASSY HOLDER PCB	DV8000M,DV80M8214AW/EN	1	PC	SNA
9-1	6002-000239	SCREW-TAPPING	TH,+,NO,2S,M4,L8,ZPC(WHT),	1	PC	SNA
9-2	DC27-00012A	COIL HARMONIC	4.5mH,40*69*39,3A	1	PC	SNA
9-3	DC92-02029A	ASSY KIT	WM PF2 VE,DV8000M INV,WM PF2 VE	1	PC	SA
9-3-1	DC63-02066A	COVER PCB-INVERTER	DV80M8215AW/EG,PP,V-0	1	PC	SA
10	DC93-00540A	ASSY SENSOR	F500 IML BEST,5V,7-BUTTON,TO	1	PC	SA
11	DC97-20163U	ASSY PANEL CONTROL	DV6000M,SILVER DISPLA	1	PC	SA
11-1	DC64-02856B	WINDOW ENCODER	ABS+PMMA,HB,TF-0930,GRAY	1	PC	SNA
11-2	DC64-02955A	PANEL CONTROL	DV90D5E5HGWA,ABS,-,HG-0760G	1	PC	SA
11-3	DC64-03600L	WINDOW PANEL	DV6000M,PMMA,HB,FT6120,CLEA	1	PC	SNA
11-4	DC97-17392A	ASSY BUTTON	WF80F50FU4W/EF	1	PC	SNA

4. ASSY DRUM & ASSY INNER PARTS

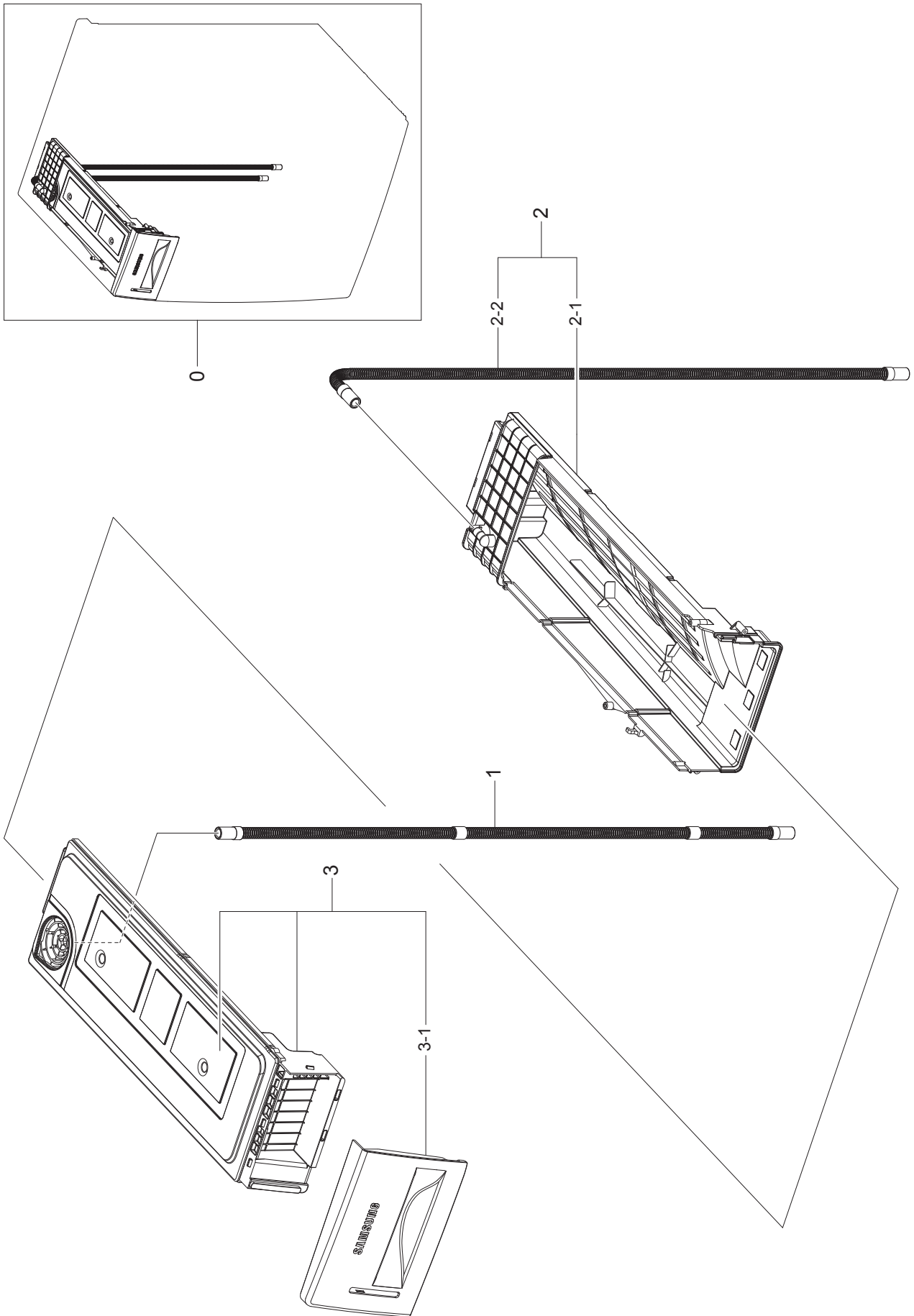


MODEL CODE (DV8XM6213EW/EG_V11)

Service Bom (SA: SERVICE AVAILABLE, SNA: SERVICE NOT AVAILABLE)

SVC_Code	Code No.	Description	Specification	QTY	Un	SA/SNA
0		ASSY DRUM & ASSY INNER PARTS	DV6000M	1	PC	SNA
1	DC90-13381A	ASSY DRUM	DV-F500E 9KG	1	PC	SNA
1-1	6031-002038	WASHER-PLAIN	NYLON,ID12,OD17,T1.0,NTR	2	PC	SA
1-2	6044-001784	RING-C	ID11.1,STW-12,T1.0,BLK,SK5	1	PC	SA
1-3	6602-002024	BELT-TIMING GEAR	7PH1970,RUBBER,T2.7,L19	1	PC	SA
1-4	DC97-17465A	ASSY DRUM WRAPPER	DV90F5E6HGW	1	PC	SA
1-4-1	DC66-00541A	DRUM LIFTER	GE24-DRYER,PP,T3.0,FC2210,GR	3	PC	SA
2	DC90-25042A	ASSY INNER PARTS	DV5000M,DV90M5000QW/EU	1	PC	SNA
2-1	6006-001174	SCREW-TAPPING	TH,+,WT,2S,M4,L12,ZPC(WHT)	1	PC	SNA
2-2	DC97-19978E	ASSY DRUM FRONT	DV90M5000QW/EU,DV5000M	1	PC	SA
2-2-1	DC47-00027A	ASSY LAMP LED	2ea,FR-1,14*12,WHITE,AMP 1	1	PC	SA
2-2-2	DC61-02457A	FIXER LAMP	D100-DRYER,EPDM,GRAY	1	PC	SA
2-2-3	DC61-02485A	BUSH BEARING	SDC18809,SWRCH10A,ID8,OD12,	2	PC	SA
2-2-4	DC61-04407A	CASE FILTER	DV80M8215AW/EG,PP,DARK HOLDE	1	PC	SA
2-2-5	DC61-04409A	CASE FILTER	DV80M8215AW/EG,PP,DARK HOLDE	1	PC	SA
2-2-6	DC62-00377A	SEAL DUCT	DV90F5E6HGW,EPDM,BLACK,-	1	PC	SA
2-2-7	DC62-00503A	SEAL PACKING	DV80M8215AW/EG,EPDM,DARK HO	1	PC	SA
2-2-8	DC64-00828D	SWITCH DOOR	AC125V/250V,7.5/5,OP0.8mm	1	PC	SA
2-2-9	DC66-00572A	SHAFT ROLLER	SDC18809,SWRCH10A,L61,OD8,Z	2	PC	SA
2-2-10	DC66-00923A	DRUM FRONT-R	DV80M8215AW/EG,PP,HB,DARK H	1	PC	SA
2-2-11	DC93-00700A	ASSY DUCT FRONT	DV8000M,DV80M8215AW,PP(F	1	PC	SA
2-2-11-1	6002-001306	SCREW-TAPPING	TH,+,1,M4,L14,ZPC(WHT),SWR	1	PC	SNA
2-2-11-2	DC31-00177A	MOTOR FAN	F1238S12B,0.29A,3.5W,2000,DC 1	1	PC	SA
2-2-11-3	DC34-00001G	SWITCH REED	14~30,370mm,25.4±0.5mm,14mm,	1	PC	SA
2-2-11-4	DC61-04413A	GUIDE AIR FLOW	DV80M8215AW/EG,PP,HB,FC23	1	PC	SA
2-2-11-5	DC62-00280C	SEAL CONDENSER	DV-F500E,TPE,KT GRAY,-,L7	1	PC	SA
2-2-11-6	DC90-10128G	ASSY THERMISTOR	DRYER,5V,-20~125°C,120mm,	1	PC	SA
2-2-12	DC96-00766A	ASSY WIRE HARNESS-TOUCH	DRYER-L,-,SUB/TO	1	PC	SA
2-2-13	DC97-15768A	ASSY ROLLER	D100-PJT,SDC18809	2	PC	SA
2-2-14	DC97-19977A	ASSY FILTER GUIDE	DV8000M,DV80M8215AW/EG	1	PC	SA
2-2-14-1	DA66-01072A	LATCH	LATOUR,POM,BLACK,DC LATCH	1	PC	SNA
2-2-14-2	DC62-00280B	SEAL CONDENSER	DV-F500E,TPE,KT GRAY,XR-1	1	PC	SA
2-2-14-3	DC63-02067A	FILTER GUIDE	DV80M8215AW/EG,PP,KT GRAY	1	PC	SA
2-2-15	DC61-04406A	PLATE SENSOR	DV80M8215AW/EG,STS430,T0.8	2	PC	SA
2-2-16	DC61-60044W	CUSHION LID	SW12E1SP,SI,-,-,-,INOX GRA	4	PC	SA

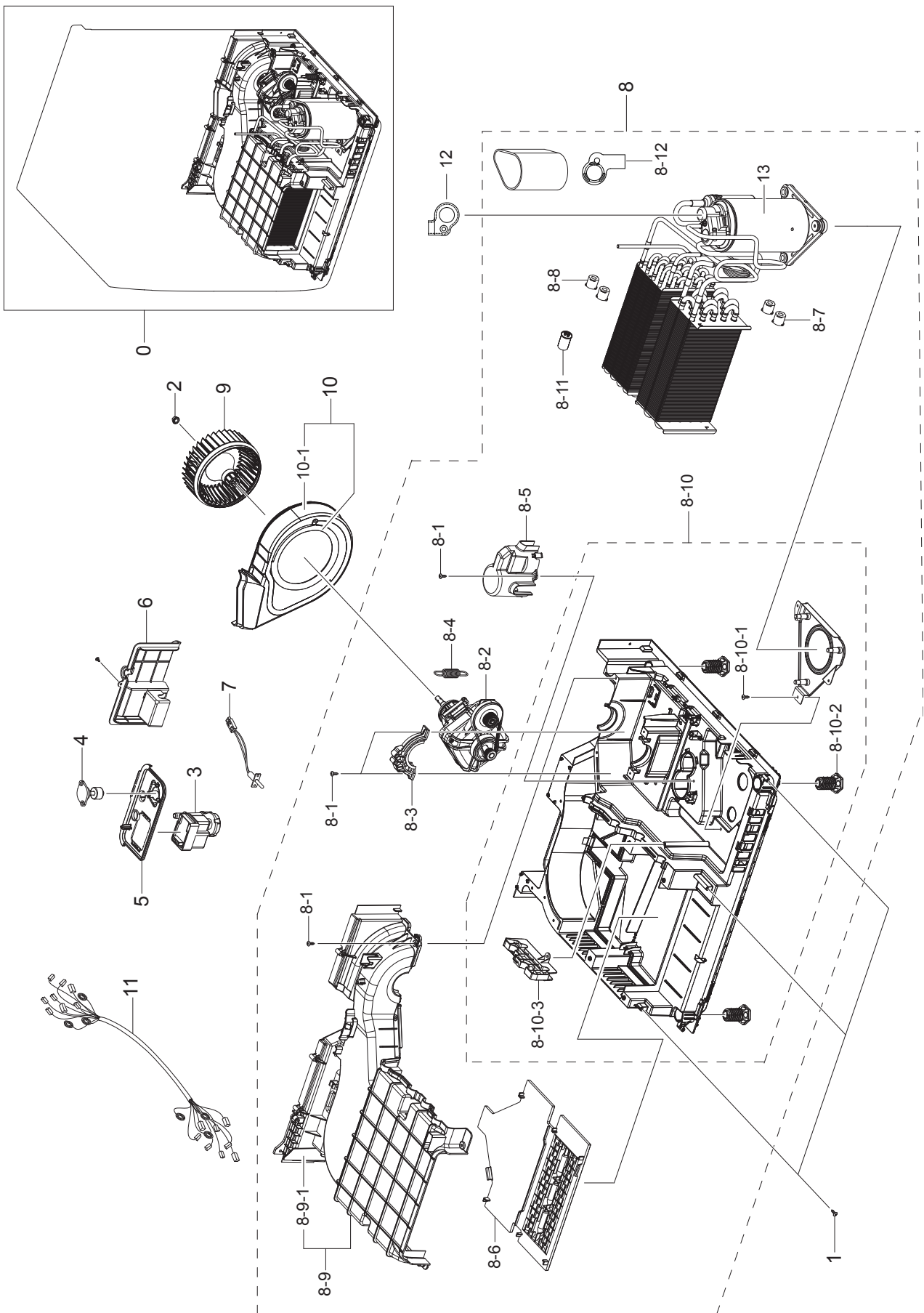
5. ASSY DRAWER



MODEL CODE (DV8XM6213EW/EG_V11)Service Bom (**SA**: SERVICE AVAILABLE, **SNA**: SERVICE NOT AVAILABLE)

SVC_ Code	Code No.	Description	Specification	QTY	Un	SA/ SNA
0	DC90-25084A	ASSY DRAWER PARTS	DV5000M	1	PC	SNA
1	DC97-15757F	ASSY HOSE DRAIN	DV-F500E,DV90D5E5HGW,GRA	1	PC	SA
2	DC97-17451A	ASSY HOUSING DRAWER	DV-F500E,DV90F5E6HGW	1	PC	SA
2-1	DC61-03647A	HOUSING DRAWER	DV90D5E5HGW,PP,T2.5,NATUR	1	PC	SA
2-2	DC97-15757E	ASSY HOSE DRAIN	DV-F500E,DV90D5E5HGW,GRA	1	PC	SA
3	DC97-20475A	ASSY DRAWER	DV5000M,DV70M5220IW/EN,PP	1	PC	SA
3-1	DC64-03667A	PANEL DRAWER	DV90D5E5HGW,ABS,HG-0760GP,D	1	PC	SA

6. ASSY BASE PARTS



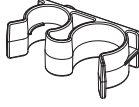
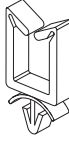
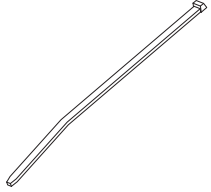


MODEL CODE (DV8XM6213EW/EG_V11)

Service Bom (SA: SERVICE AVAILABLE, SNA: SERVICE NOT AVAILABLE)

SVC_Code	Code No.	Description	Specification	QTY	Un	SA/SNA
0	DC90-24987A	ASSY BASE PARTS	DV5000M	1	PC	SNA
1	6002-001306	SCREW-TAPPING	TH,+,1,M4,L14,ZPC(WHT),SWR	3	PC	SNA
2	6021-001321	NUT-INCH	RIGHT TURN,3/8"-24,ZPC(BLK),SWC	1	PC	SNA
3	DC31-00105A	PUMP-DRAIN	B13-6AA01120,220V-240V,50Hz,4	1	PC	SA
4	DC34-00010A	SWITCH FLOAT	50±0.5mm,1.5,50mm,MG624537,	1	PC	SA
5	DC61-03643A	HOLDER PUMP MOTOR	DV-F500E,PP,T2.5,NATUR	1	PC	SA
6	DC63-01609A	COVER PUMP	DV-F500E,PP,T2.5,NATURAL,MU30	1	PC	SA
7	DC90-10128G	ASSY THERMISTOR	DRYER,5V,-20~125°C,120mm,	1	PC	SA
8	DC90-24932A	ASSY CIRCULATION SYSTEM PARTS	DV5000M,DV	1	PC	SNA
8-1	6002-001306	SCREW-TAPPING	TH,+,1,M4,L14,ZPC(WHT),SWR	10	PC	SNA
8-1	6002-001306	SCREW-TAPPING	TH,+,1,M4,L14,ZPC(WHT),SWR	1	PC	SNA
8-1	6002-001306	SCREW-TAPPING	TH,+,1,M4,L14,ZPC(WHT),SWR	2	PC	SNA
8-2	DC31-00184A	MOTOR BLDC	D200B,3400,120V~230V,1.0A,130	1	PC	SA
8-3	DC61-02467A	SUPPORT-MOTOR(U)	D100-PJT,PP,T3.0	1	PC	SA
8-4	DC61-02487A	SPRING ETC TENSION	SDC18809,HSWR,CD2.0,O	1	PC	SA
8-5	DC61-03633A	HOLDER CONDENSER	DV-F500E,PP,T2.5,NATURA	1	PC	SA
8-6	DC63-01602A	COVER BASE	DV-F500E,PP,T2.5,GRAY	1	PC	SA
8-7	DC63-01644A	ABSORBER SOUND	DV90F5E6HGW,EPDM,OD20.5,-	2	PC	SA
8-8	DC63-01645A	ABSORBER SOUND	DV90F5E6HGW,EPDM,OD20.5,-	2	PC	SA
8-9	DC93-00661A	ASSY COVER CONDENSER	DV8000M,DV80M8215AW	1	PC	SA
8-9-1	DC63-02062A	COVER CONDENSER-U	DV80M8215AW/EG,PP,HB,N	1	PC	SA
8-10	DC97-20474A	ASSY BOTTOM	DV5000M	1	PC	SNA
8-10-1	6002-000213	SCREW-TAPPING	TH,+,1,M4,L12,ZPC(WHT),SWR	3	PC	SNA
8-10-1	6002-000213	SCREW-TAPPING	TH,+,1,M4,L12,ZPC(WHT),SWR	1	PC	SNA
8-10-2	DC61-02447B	LEG	D100 DRYER,FRPP,NTR	4	PC	SA
8-10-3	DC63-01964A	COVER CONNECTOR	PP,T2.5,HB,NATURAL,HASS	1	PC	SNA
8-11	2501-001233	C-OIL	15,-25to+80,450V,±5,50x65,#250,PP,	1	PC	SA
8-12	DB63-00817A	GASKET	R/COMP,SIR,T0.8,L80,-,60-70,Inter	1	PC	SA
9	DC93-00659A	ASSY FAN DRY	DV8000M,DV80M8215AW/EG,FRPP	1	PC	SA
10	DC93-00660B	ASSY GUIDE DUCT FAN	DV5000M,DV90M5200QW/	1	PC	SNA
10-1	DC61-04412A	GUIDE DUCT FAN	DV80M8215AW/EG,PP,HB,PTN9	1	PC	SA
11	DC93-00681A	ASSY WIRE HARNESS-MAIN	DRYER-M,DV8000M,F	1	PC	SNA
12	DB63-02310A	COVER TERMINAL	SABIC N1250,2.5,-,BLACK,N	1	PC	SA
13	UX9AK2037JJASS	RCP,COMP,RCP,J,R134A		1	PC	SA

7. SMALL PARTS

				
1	2	3	4	5

MODEL CODE (DV8XM6213EW/EG_V11)

Service Bom (**SA**: SERVICE AVAILABLE, **SNA**: SERVICE NOT AVAILABLE)

Drawing No.	Code No.	Description	Specification	Install. Point	QTY	Un	SA/SNA
1	DC61-40081A	HOLDER WIRE	DAWH-2NC,PA66,-,NATURAL,-	FRAME REAR	1	PC	SA
2	DC61-60074A	HOLDER WIRE	PA,-,NATURAL,-,101F,rectangl	FRAME REAR	1	PC	SNA
3	DC65-00026A	CLAMPER HOSE-FIX	SDC18809,PP,BJ350,NTR	FRAME REAR	1	PC	SA
4	DC61-00553B	CABLE CLAMP	DAWS-3NE,PA66,NTR	ASSY DRUM FRONT	1	PC	SNA
5	DC65-10001A	CABLE TIE	PVC	ASSY ACCESSORY	2	PC	SNA

8. PARTS LIST (SCREW TYPE)

MODEL CODE (DV8XM6213EW/EG_V11)

Service Bom (SA: SERVICE AVAILABLE, SNA: SERVICE NOT AVAILABLE)

Code No.	Description	Specification	QTY	Un	SA/ SNA
6002-000234	SCREW-TAPPING	TH,+,NO,2S,M4,L16,ZPC(WHT)	12	PC	SNA
6002-001431	SCREW-TAPPING	HEX,+,2,M5,L16,ZPC(WHT),SW	2	PC	SA
6002-000213	SCREW-TAPPING	TH,+,1,M4,L12,ZPC(WHT),SWR	9	PC	SNA
6002-000239	SCREW-TAPPING	TH,+,NO,2S,M4,L8,ZPC(WHT),	2	PC	SNA
6002-001306	SCREW-TAPPING	TH,+,1,M4,L14,ZPC(WHT),SWR	22	PC	SNA
6003-001768	SCREW-TAPTYPE	TH,+,WT,S,M4,L10,ZPC(WHT),	2	PC	SNA
6006-001174	SCREW-TAPPING	TH,+,WT,2S,M4,L12,ZPC(WHT)	12	PC	SNA
6009-001240	SCREW-SPECIAL	TH,+,M5,L13.5,ZPC(WHT),SWR	2	PC	SNA
6009-001343	SCREW-SPECIAL	PH,TORX,M4,L12,ZPC(WHT),SW	1	PC	SNA
6002-000239	SCREW-TAPPING	TH,+,NO,2S,M4,L8,ZPC(WHT),	8	PC	SNA
6002-000213	SCREW-TAPPING	TH,+,1,M4,L12,ZPC(WHT),SWR	1	PC	SNA
6002-001306	SCREW-TAPPING	TH,+,1,M4,L14,ZPC(WHT),SWR	5	PC	SNA
6002-001306	SCREW-TAPPING	TH,+,1,M4,L14,ZPC(WHT),SWR	13	PC	SNA
6002-000213	SCREW-TAPPING	TH,+,1,M4,L12,ZPC(WHT),SWR	3	PC	SNA
6003-001768	SCREW-TAPTYPE	TH,+,WT,S,M4,L10,ZPC(WHT),	1	PC	SNA
6002-001306	SCREW-TAPPING	TH,+,1,M4,L14,ZPC(WHT),SWR	1	PC	SNA
6002-001306	SCREW-TAPPING	TH,+,1,M4,L14,ZPC(WHT),SWR	8	PC	SNA
6002-001306	SCREW-TAPPING	TH,+,1,M4,L14,ZPC(WHT),SWR	1	PC	SNA
6002-001435	SCREW-TAPPING	TH,+,2,M4,L12,PASS,STS430	4	PC	SNA
6006-001174	SCREW-TAPPING	TH,+,WT,2S,M4,L12,ZPC(WHT)	2	PC	SNA
6009-001522	SCREW-HEX	HWH,+,M5,L16,PASS,STS430,FP,SE	2	PC	SA
6002-001149	SCREW-TAPPING	TH,+,NO,2S,M4,L12,NI PLT,S	4	PC	SNA
6002-000445	SCREW-TAPPING	TH,+,NO,2,M4,L18,PASS,STS4	5	PC	SNA
6002-000213	SCREW-TAPPING	TH,+,1,M4,L12,ZPC(WHT),SWR	9	PC	SNA
6002-000239	SCREW-TAPPING	TH,+,NO,2S,M4,L8,ZPC(WHT),	3	PC	SNA
6002-000445	SCREW-TAPPING	TH,+,NO,2,M4,L18,PASS,STS4	2	PC	SNA
6002-001306	SCREW-TAPPING	TH,+,1,M4,L14,ZPC(WHT),SWR	4	PC	SNA
6002-000239	SCREW-TAPPING	TH,+,NO,2S,M4,L8,ZPC(WHT),	2	PC	SNA
6002-000239	SCREW-TAPPING	TH,+,NO,2S,M4,L8,ZPC(WHT),	1	PC	SNA
6001-000516	SCREW-MACHINE	PH,+,-,M3,L10,ZPC(WHT),SWR	3	PC	SNA