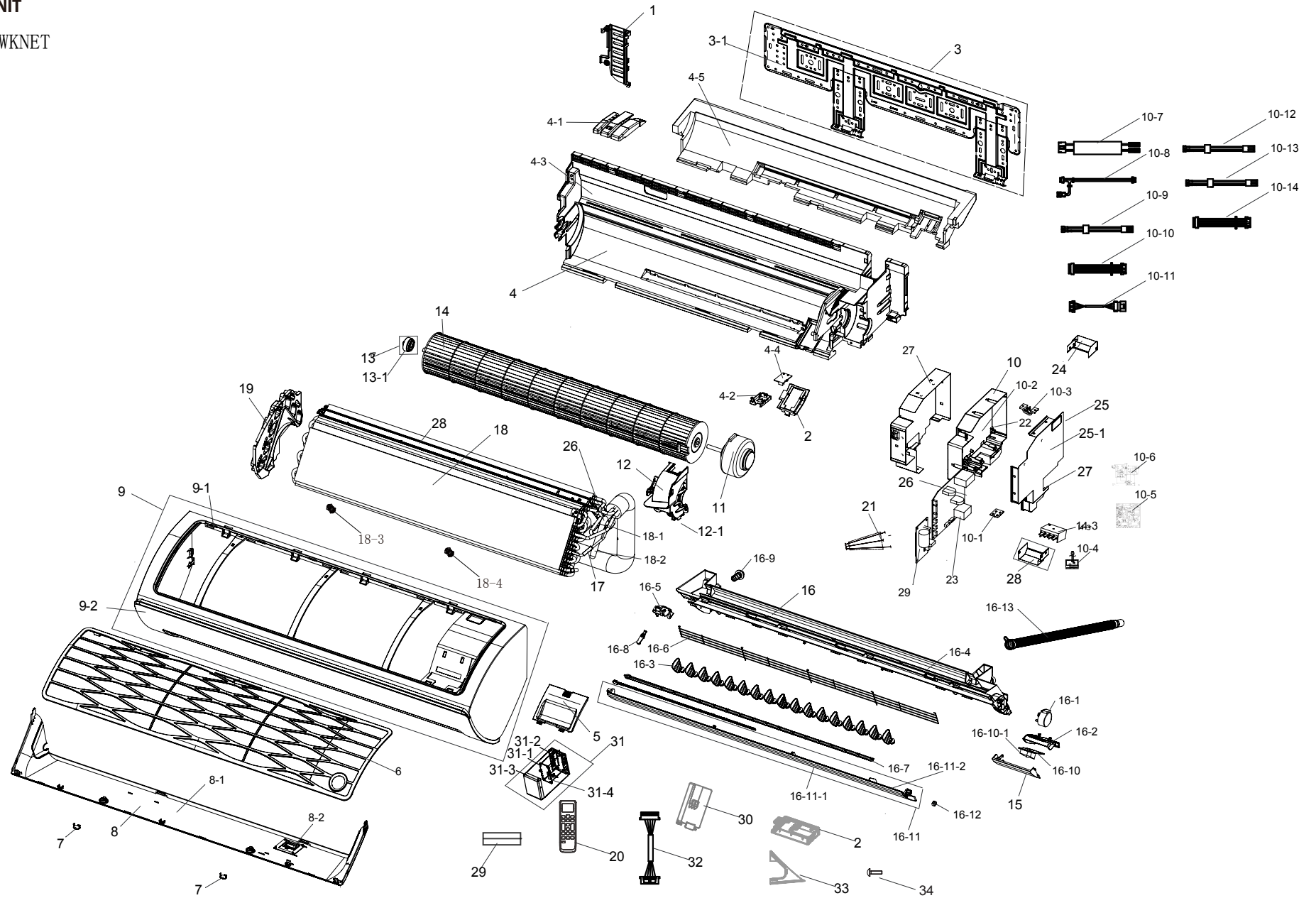


Exploded Views and Parts List

INDOOR UNIT

AR12KSWSBWKNET



■ Parts List (03 FRAME PART LIST)

Exploded Views and Parts List

No.	PartsCode	Parts Name	Description	Q'ty	Service
				AR12KSW/SBWKNET	
1	DB61-05853A	HOLDER-PIPE	A3050, F-RAC-04,HIPS,DA SILV	1	SA
2	DB97-24011A	ASSY PACKING-CASE PCB	AR09HSFSAWKNET,CAS	1	SA
3	DB90-07732A	ASSY HANGER	A3050 F-RAC-03,04,09,H228.9	1	SA
3-1	DB61-05958A	HANGER-LINK	F-RAC-03/04,GI-SGCC,TO.6	1	SA
4	DB94-04159B	ASSY BACK BODY	AR12FCFSAWKNAF,ASSY,F03	1	SA
4-1	DB61-05849A	HOLDER	A3050, F-RAC-03/04/05,HIPS,BLACK,	1	SA
4-2	DB61-05854A	CASE PCB-REMOCON	A3050, F-RAC-05,HIPS,-	1	SNA
4-3	DB61-05831B	BODY BACK	F-RAC-03,ABS,T2.3,BLACK,NO SPI	1	SNA
4-4	DB92-02874A	ASSY PCB SUB	RECEIVER,A3050,24*40	1	SA
4-5	DB62-11874A	SEAL CUSHION-BODY	EPS,WHITE,T10,W110,682	1	SNA
5	DB63-03494A	COVER PANEL-SUB	A3050, F-RAC-04,HIPS,T2.	1	SA
6	DB63-03729A	FILTER AIR-PRE	F03 Neo Filter,HIPS,DA WH	1	SA
7	DB67-01404B	CAP-SCREW	A3050, F-RAC-04,HIPS, T2.0,HP82	2	SNA
8	DB92-02894C	ASSY-COVER PANEL	A3050,F03,DA WHITE	1	SA
8-1	DB63-03497B	COVER PANEL	F-RAC-03,HIPS, T2.2,DA WHITE,	1	SNA
8-2	DB64-03045A	BUTTON POWER	A3050,PC,MILK-WHITE	1	SA
9	DB92-02895C	ASSY PANEL FRONT	AR12HSFSAWKNET,ASSY,F03	1	SA
9-1	DB92-02896A	ASSY PANEL FRONT SUB	AR09FCSDAWKNAF,ASSY	1	SA
9-2	DB64-02987D	GRILLE INLET	A3050 F-RAC-03,GOOD1,ABS,DA	1	SA
10	DB92-03727D	ASSY KIT	INDOOR,A3050,F03, 485 COMM, HP,	1	SNA
10-1	DB61-05812A	PLATE CONTROL-SUB	A3050 F-RAC-01/03/04/0	1	SA
10-2	DB61-05826A	CASE CONTROL-IN	A3050, F-RAC-03/F04,HIPS	1	SA
10-3	DB61-05871A	HOLDER-WIRE	A3050,ABS,EBONY BLACK,V0,SSE	1	SNA
10-4	DB65-00326A	TERMINAL BLOCK	4P,PBT,300V,25A Minimum,3	1	SA
10-5	DB92-02873F	ASSY PCB MAIN	INDOOR, MAIN, WIFI(SHP),A3	1	SA
10-6	DB92-02861A	ASSY MODULE	STD #3 SMPS,A3050,11W (5V 35	1	SA
10-7	DB93-14203A	ASSY CONNECTOR WIRE-POWER	2,1015,22,BRN,	1	SA
10-8	DB93-06677A	ASSY CONNECTOR WIRE	2,1015,22,BRN,YH396-	1	SA
10-9	DB93-14237A	ASSY CONNECTOR WIRE-COMM	2,1007,22,BLU,Y	1	SA
10-10	DB93-14208A	ASSY CONNECTOR WIRE-DC SIGNAL	3,1007,26,	1	SA
10-11	DB93-14207B	ASSY CONNECTOR WIRE-DC SIGNAL	4,1007,24,	1	SA
10-12	DB93-14245A	ASSY CONNECTOR WIRE-EARTH	1,1015,16,YEL/	1	SA
10-13	DB93-14209A	ASSY CONNECTOR WIRE-DISPLAY	11,2095,26,R	1	SA
10-14	DB93-14221A	ASSY CONNECTOR WIRE-DC SIGNAL	10,2095,26	1	SA
11	DB31-00636A	MOTOR BLDC FAN	RD-310-25-8A(AL),1500,310	1	SA
12	DB63-03492A	COVER MOTOR	A3050, F-RAC-04,ABS,-,NATURA	1	SA
12-1	DB63-03492A	COVER MOTOR	A3050, F-RAC-04,ABS,-,NATURA	1	SA
13	DB94-00455B	ASSY-RUBBER BEARING	WW-PJT,CR,BLK SSEC	1	SC
13-1	DB94-40007B	ASSY-BEARING	G1-PJT,SSEC	1	SA
14	DB94-01550D	ASSY FAN CROSS	A3050,95.6PI, BLACK	1	SA
15	DB90-07851A	ASSY COVER DISPLAY	AR12FSSSBWKNSA,ASSY	1	SNA
16	DB94-04160C	ASSY TRAY DRAIN	AR12HSFSAWKNET,ASSY,F03	1	SA
16-1	DB31-00369D	MOTOR STEP	DB31-00369D,35BYJ46,1.47,100P	1	SA
16-2	DB61-05827A	CASE-DISPLAY	F01/F03/F04/F05,HIPS,T2.0,B	1	SA
16-3	DB61-05846A	BLADE V	F-RAC-03/04/05,ABS,T2.0,TWILIGHT	15	SA
16-4	DB63-03501A	TRAY DRAIN	F-RAC-03,HIPS,T2.0,BLACK	1	SNA
16-5	DB61-05872A	GUIDE BLADE	A3050, F-RAC-04,HIPS,TSE:576	1	SA
16-6	DB63-03663A	GUARD-SCREEN	A3050 F-RAC-03/09,MSWR,T1.2	1	SNA
16-7	DB66-01728A	LINK BLADE-A	A3050, F-RAC-03,POM,BLACK	1	SA
16-8	DB66-01730A	LINK BLADE-B	A3050, F-RAC-04,POM,NATURAL	1	SA
16-9	DB73-00180B	RUBBER-CAP DRAIN	all moel,NR,D22,40,40,R	1	SA
16-10	DB92-02877A	ASSY PCB DISPLAY	BETTER,BEST,A3050,64*36	1	SA
16-10-1	DB64-02991A	WINDOW DISPLAY	A3050,F-RAC-03/04,PC,T1.2	1	SA
16-11	DB92-02897A	ASSY BLADE H	AR09FCSDAWKNAF,ASSY,F03	1	SA
16-11-1	DB61-05832A	BLADE H-TOP	A3050, F-RAC-03,ABS,HRABS-RS	1	SNA
16-11-2	DB61-05833A	BLADE H-BOTTOM	A3050, F-RAC-03,ABS,HRABS	1	SNA
16-12	DB61-03132A	HOLDER-BLADE OUT	HP-C180V,STS304,0.5,W11	1	SNA
16-13	DB94-00458H	ASSY HOSE DRAIN	A3050-PJT,SSEC	1	SA
17	DB67-60030A	SPRING-SENSOR	WW2-PJT,STS301,0.4,TO.4,W2	2	SA
18	DB96-19014C	ASSY EVAP TOTAL	F03,SSEC	1	SA
18-1	DB96-18900A	ASSY TUBE EVAP IN	AR09FCSDAWKNAF,F03,SSE	1	SA
18-2	DB96-18901A	ASSY TUBE EVAP OUT	AR09FCSDAWKNAF,F03,SS	1	SA
18-3	DB60-30010A	FASTENER-NUT FLARE	BRASS	1	SA
18-4	DB60-30010B	FASTENER-NUT FLARE	BRASS	1	SA
19	DB63-03511A	COVER EVAP	A3050 F-RAC-03,PP,T2.0,-,BLAC	1	SNA
20	DB93-15169D	ASSY WIRELESS REMOCON	RS-3,ENGLISH,40.0*	1	SA
21	DB93-15445A	ASSY CONNECTOR WIRE-DC SIGNAL	5,2095,26,	1	SA
22	DB61-05963A	SUPPORT-CONTROL	A3050, F-RAC-03,HIPS,F74	1	SA
23	DB95-05163A	ASSY THERMISTOR IN	103HW,6P,400/400/400,	1	SA
24	DB61-05965A	PLATE CONTROL-UP	A3050 F-RAC-03,GI-SGCC,	1	SA
25	DB90-07859C	ASSY PLATE-CONTROL	F03/04,ASSY,SSEC	1	SA
25-1	DB61-05959A	PLATE CONTROL-RIGHT	A3050,F-RAC-03/04,GI	1	SA
26	DB67-01431A	RUBBER PIPE	AR12FSSSBWKNSA,SIR,8,NONFLAM	1	SA
27	DB61-06079A	PLATE CONTROL-MIDDLE	A3050 F-RAC-04,GI-S	1	SNA
28	DB90-07861A	ASSY PLATE-MIDDLE	AR09FCSDAWKNAF,F03,SSE	1	SA
29	4301-000121	BATTERY-MN	1.5V,R03,10.5x44.5m,7.5g,AAA	2	SNA
30	DB61-06101A	CASE PCB-LOW	A3050 Common,HIPS,BLACK,V0,	1	SNA
31	DB90-07763D	ASSY CASE-ELECTRIC	AR5500/7000 NEW WIFI	1	SA
31-1	4709-002437	W-LAN MODULE	SWL-CQ51/RAC,16K RAC,IEEE80	1	SNA
31-2	DB61-05847A	CASE PCB	A3050 F-RAC-04,HIPS,-,BLACK,-,S	1	SA
31-3	DB63-03503A	COVER PCB	A3050 F-RAC-04,HIPS,-,BLACK,S8	1	SA
31-4	DB92-02874A	ASSY PCB SUB	RECEIVER,A3050,24*40	1	SA
32	DB93-14206A	ASSY CONNECTOR WIRE-DC SIGNAL	4,2095,26,	1	SA
33	DB97-22880B	ASSY PACKING-ACCESSORY GUIDE	XSA,F-RAC-0	1	SA
34	DB97-02418A	ASSY-SCREW TAPPING	SS-P/J,TH,M4*L14	15	SA