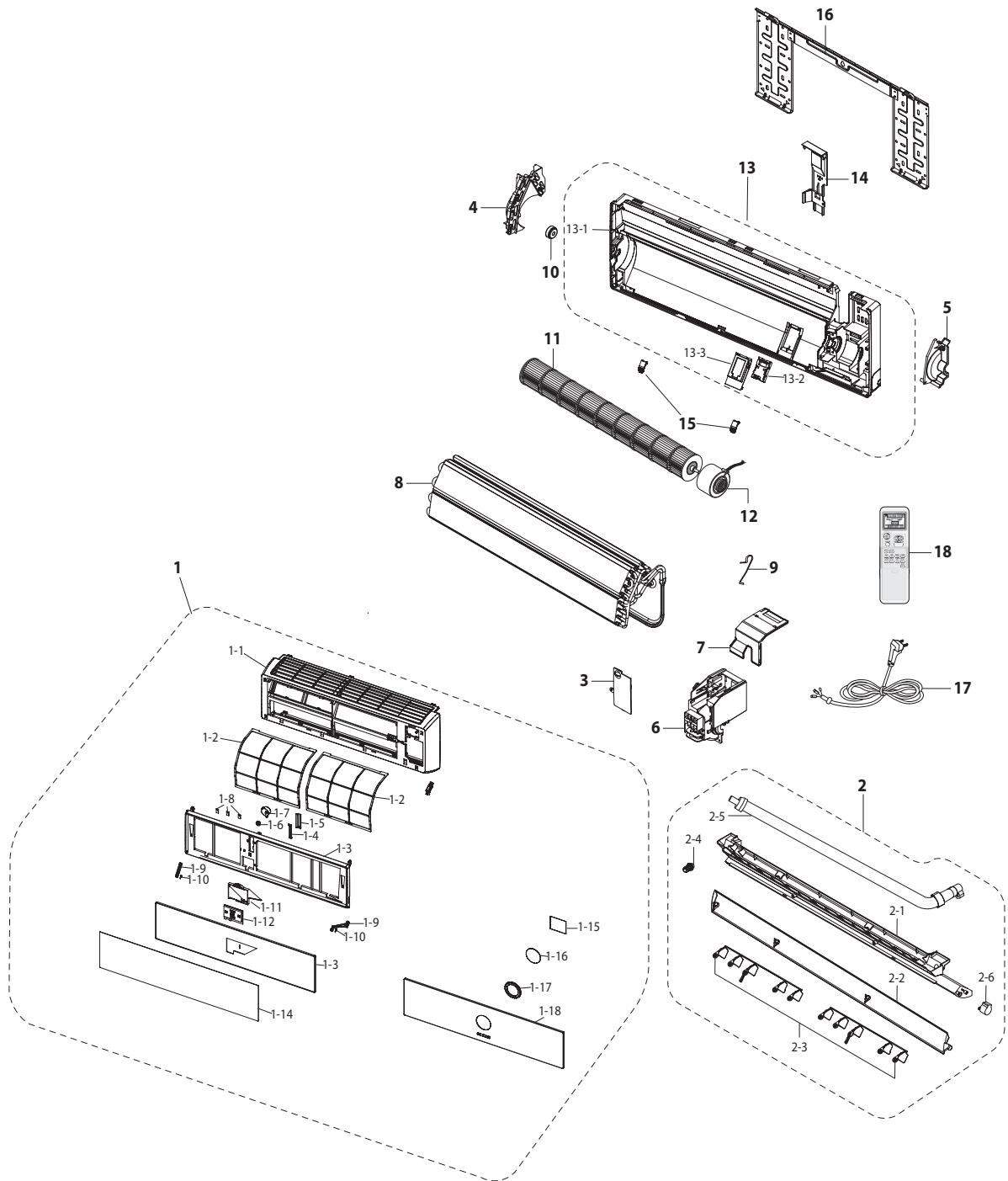


5. Exploded Views and Parts List

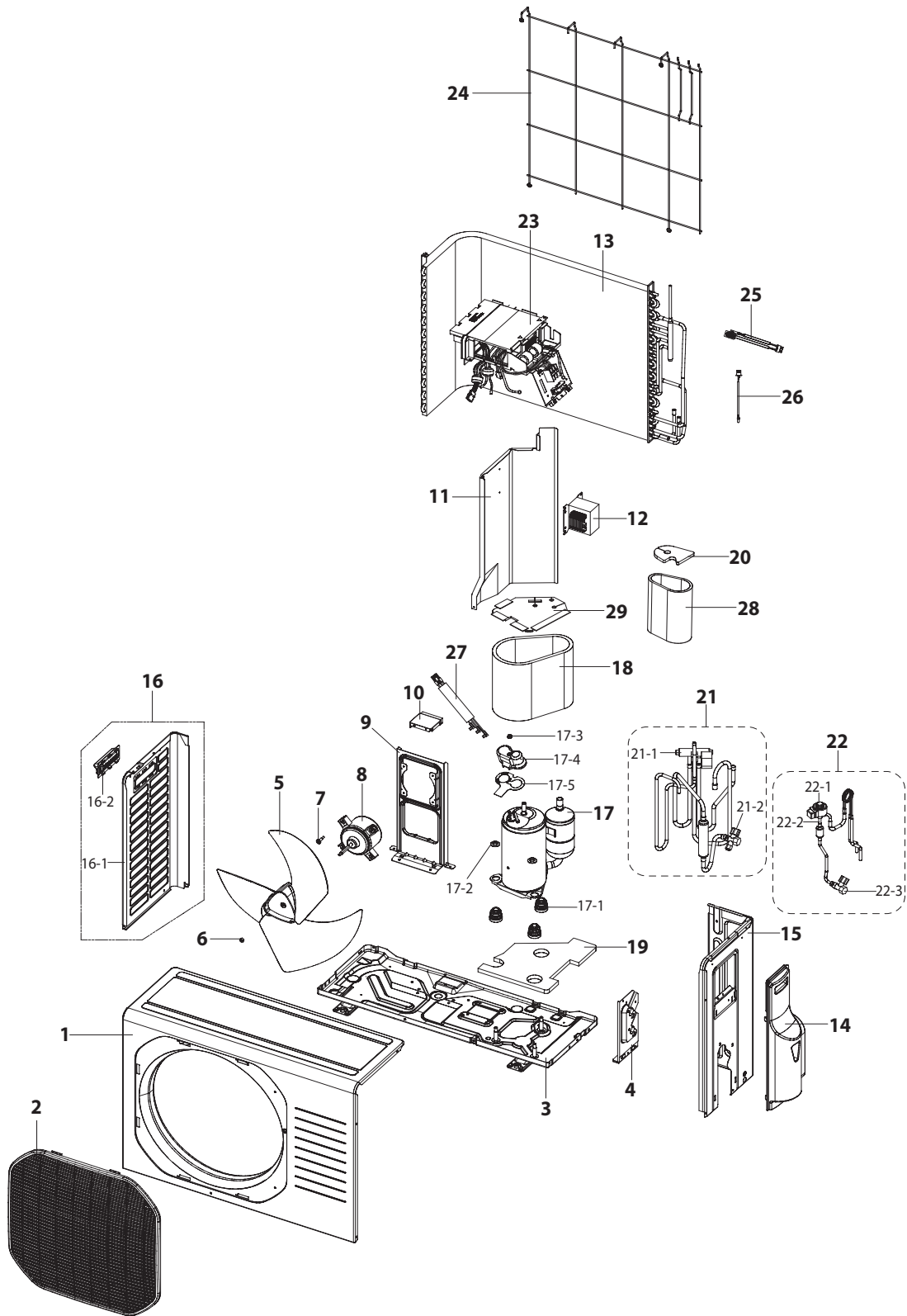
5-1 Indoor Unit



■ Parts List

No.	Code No.	Description	Specification	Q'TY		SA/SNA
				AQV09VBCN	AQV12VBCN	
1	DB92-01087H	ASSY PANEL FRONT	ASS'Y	1	1	SA
1-1	DB64-01633A	PANEL FRONT	HIPS	1	1	SA
1-2	DB63-01593B	FILTER PRE	PP	1	1	SA
1-3	DB64-01634B	PANEL MID	HIPS	1	1	SNA
1-4	DB66-01152A	LINK GRILLE	POM	1	1	SNA
1-5	DB66-01156A	GEAR RACK	POM	1	1	SNA
1-6	DB66-01155A	GEAR PINION	POM	1	1	SNA
1-7	DB31-00369B	ASSY MOTOR STEPPING	220-240V~, 50/60Hz, Class E	1	1	SA
1-8	DB61-03156A	HOLDER WIRE	PC	3	3	SNA
1-9	DB66-01176A	LINK SUPPORT	POM	4	4	SNA
1-10	DB61-03139A	SPRING GRILLE	STS304	2	2	SNA
1-11	DB63-01630A	COVER DISPLAY	ABS	1	1	SNA
1-12	DB93-04452F	ASSY DISPLAY	ASS'Y	1	1	SA
1-13	DB61-02910A	FRAME GRILLE	HIPS	1	1	SA
1-14	DB64-02054B	WINDOW MIRROR	ACRYL	1	1	SA
2	DB94-01237A	ASSY TRAY DRAIN	ASS'Y	1	1	SA
2-1	DB63-01578A	TRAY DRAIN	ABS	1	1	SNA
2-2	DB61-02908A	BLADE H	HIPS	1	1	SA
2-3	DB61-01636A	BLADE V	PP	2	2	SA
2-4	DB73-00180A	RUBBER CAP DRAIN	GUM-EPM	1	1	SNA
2-5	DB94-00458B	ASSY DRAIN HOSE	ASS'Y	1	1	SA
2-6	DB31-00371A	MOTOR STEP	220-240V~, 50/60Hz, Class E	1	1	SA
3	DB63-00844D	COVER TERMINAL	ABS V0	1	1	SA
4	DB63-00850A	COVER BEARING	ABS	1	1	SNA
5	DB96-03149A	ASSY EVAP SUPPORT	ASS'Y	1	1	SA
6	DB93-05854A	ASSY CONTROL IN	ASS'Y	1	1	SA
7	DB90-02082A	ASSY COVER PCB	ASS'Y	1	1	SNA
8	DB96-09549A	ASSY EVAP TOTAL	ASS'Y	1	1	SNA
9	DB67-60030A	SPRING SENSOR	STS304	1	1	SNA
10	DB94-00455A	ASSY BEARING RUBBER	ASS'Y	1	1	SNA
11	DB94-00456A	ASSY CROSS FAN	ASS'Y	1	1	SA
12	DB31-00219A	MOTOR FAN IN	220-240V~, 50/60Hz, Class E	1	1	SA
13	DB94-01152B	ASSY BODY BACK	ASS'Y	1	1	SA
13-1	DB61-03028A	BODY BACK	HIPS	1	1	SNA
13-2	DB93-04230A	ASSY COMPACT MPI	ASS'Y	1	1	SA
13-3	DB63-01583A	COVER MPI	HIPS	1	1	SNA
14	DB61-01638B	HOLDER PIPE	HIPS	1	1	SNA
15	DB67-00499C	CAP SCREW	HIPS	2	2	SNA
16	DB70-00534A	PLATE HANGER	SGCC-M	1	1	SNA
18	DB93-04700P	ASSY REMOCON	ARH-1346	1	1	SNA

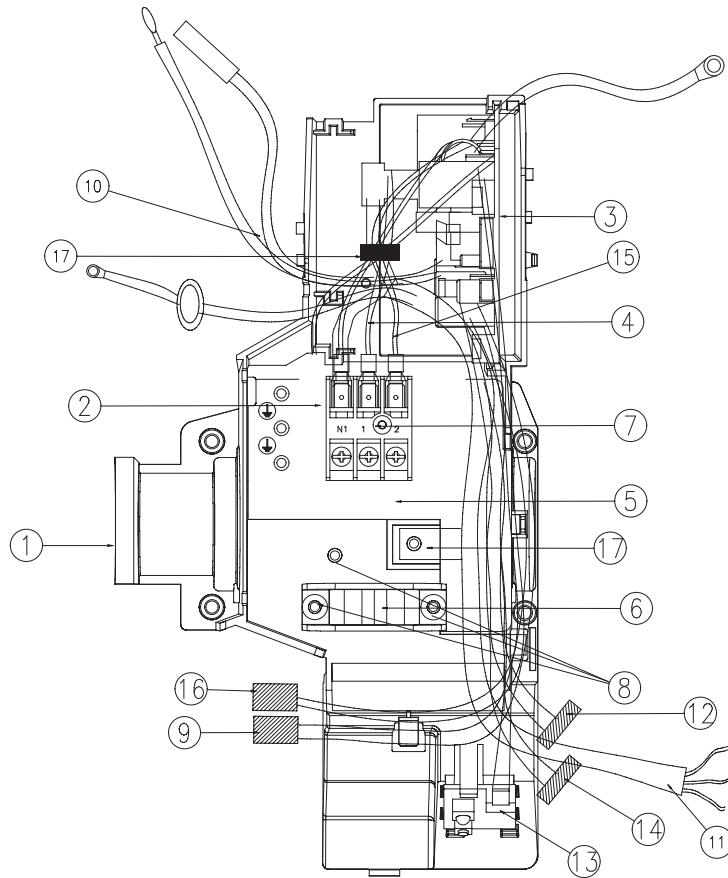
5-2 Outdoor Unit



■ Parts List

No.	Code No.	Description	Specification	Q'TY		SA/SNA
				AQV09VBCX	AQV12VBCX	
1	DB90-01711F	ASS'Y CABI FRONT	ASS'Y, SC-94445T	1	1	SA
2	DB63-00847A	GUARD FAN	HIPS, SC-90073R	1	1	SA
3	DB90-01681E	ASS'Y BASE OUT	ASS'Y, SC-94445T	1	1	SA
4	DB61-02068B	ASS'Y BRACKET VALVE	ASS'Y, SC-94445T	1	1	SA
5	DB67-00397A	FAN-PROPELLER	AS+G/F20%, Ø400	1	1	SA
6	DB60-30004A	SCREW MACHINE	M6	1	1	SA
7	DB60-00150A	SCREW SPECIAL	M4	4	4	SNA
8	DB31-00431A	MOTOR FAN OUT	BLDC Motor, SIC-52FV-F726-2	1	1	SA
9	DB61-01644A	BRACKET MOTOR	SGCC-M	1	1	SA
10	DB97-02225D	ASS'Y SUPPORT PLATE B/M	SGCC-M	1	1	SA
11	DB94-01655A	ASS'Y PARTITION	ASS'Y, SGCC-M	1	1	SA
12	DB27-00041A	REACTOR	PPS,5mH, 10A	1	1	SA
13	DB96-08373A	ASS'Y COND UNIT	ASS'Y	1	1	SA
14	DB63-01996A	COVER VALVE	PP, SC-90073R	1	1	SA
15	DB90-02876C	ASS'Y CABINET SIDE RH	ASS'Y, SC-94445T	1	1	SA
16	DB90-01713A	ASS'Y CABINET SIDE LF	ASS'Y, SC-94445T	1	1	SA
16-1	DB64-00982A	CABINET SIDE LF	SECC-P, SC-94445T	1	1	SA
16-2	DB64-00992A	HANDLE LF	PP	1	1	SA
17	G4C090LUDER	COMPRESSOR	ROTARY, BLDC	1	1	SNA
17-1	DB99-00987A	ASST GROMMET	NR	3	3	SNA
17-2	DB60-30028A	SCREW HEX	M8	3	3	SNA
17-3	DB60-30018A	SCREW MACHINE	M5	1	1	SNA
17-4	DB63-00489A	COVER TERMINAL	PBT (G/F 15%)	1	1	SNA
17-5	DB63-00817A	GASKET	EPDM	1	1	SNA
18	DB63-01647A	FELT COMP SIDE	FELT+PVC Sheet	1	1	SA
19	DB63-01958A	FELT COMP BASE	FELT+PVC Sheet	1	1	SA
20	DB63-01710B	FELT COMP UPPER	FELT+PVC Sheet	1	1	SA
21	DB96-08389A	ASS'Y VALVE 4WAY	ASS'Y	1	1	SA
21-1	DB62-02286A	4WAY VALVE	R410A, SANHUA	1	1	SNA
21-2	DB62-02284A	VALVE SERVICE	R410A, SANHUA, 3/8"	1	1	SNA
22	DB96-08390A	ASS'Y VALVE EEV	ASS'Y	1	1	SA
22-1	DB62-03964A	VALVE EXPANSION COIL	FUJIKOKI, Ø1.4	1	1	SNA
22-2	DB62-03916A	VALVE EXPANSION BODY	FUJIKOKI, Ø1.4	1	1	SNA
22-3	DB62-02283A	VALVE SERVICE	R410A, SANHUA, 1/4"	1	1	SNA
23	DB93-05534E	ASS'Y CONTROL OUT	ASS'Y	-	1	SA
	DB93-05534F	ASS'Y CONTROL OUT	ASS'Y	1	-	SA
24	DB64-02028A	SCREEN COND BAR	P.E.H 100%	1	1	SA
25	DB32-00176D	THERMISTOR OUT/DIS	ASS'Y	1	1	SA
26	DB32-00121B	THERMISTOR COND	ASS'Y	1	1	SA
27	DB93-04489A	CONNECT WIRE COMP	ASS'Y	1	1	SA
28	DB63-01934A	FELT COMP SIDE OUT	ASS'Y	1	1	SA
29	DB63-02034A	FELT COMP UPPER OUT	ASS'Y	1	1	SA

5-3 Ass'y Control In : DB93-05854A



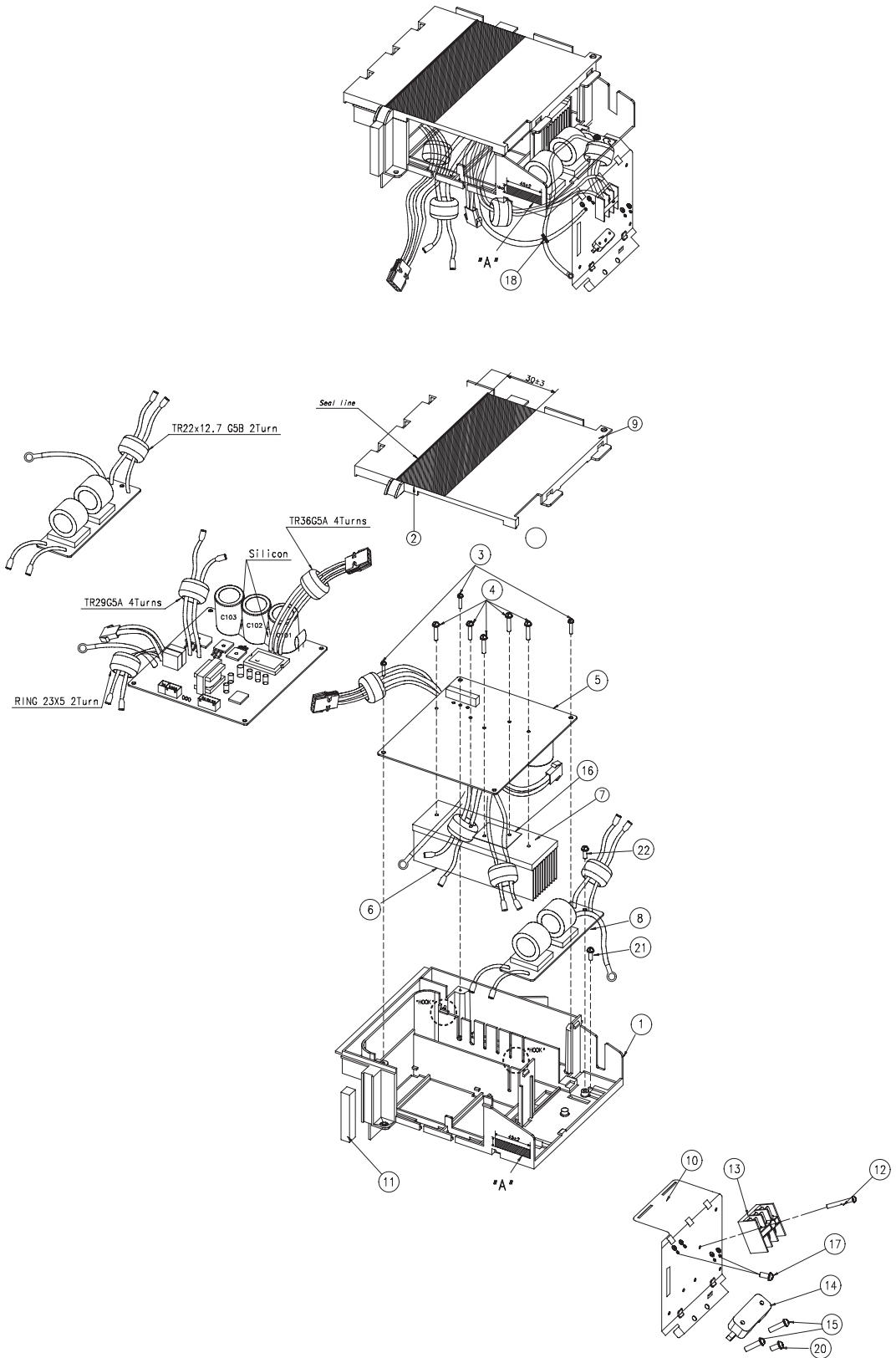
■ Parts List

No.	Code No.	Description	Specification	Q'ty	SN/SNA
1	DB61-02907A	CASE-CONTROL IN	ABS	1	SA
2	DB95-01140B	TERMINAL BLOCK	DAF-3P	1	SNA
3	DB93-05866B	ASSY-PCB IN MAIN	VIVACE,9K/12K	1	SA
4	DB93-06153A	CONNECT WIRE-T/B(1)	LEAD WIRE	1	SNA
5	DB61-01639A	PLATE-CONTROL IN	SGCC-M 1.2	1	SNA
6	DB61-01097A	HOLDER-WIRE CLAMP	ABS	1	SA
7	6001-000929	SCREW	PH+,M3,L22	1	SNA
8	6001-001054	SCREW	TH,+M4,L10	3	SNA
9	DB93-04487A	CONNECT WIRE	STEP MOTOR	1	SNA
10	DB95-01113A	SENSOR	4P(103AT)	1	SA
11	DB91-00434A	ASSY POWER CORE	H05VV-F 3*1.0, Core	1	SNA
12	DB93-04622A	CONNECT WIRE	DISPLAY	1	SNA
13	DB93-04430A	ASSY MODULE PCB	MODULE	1	SNA
14	DB93-04484A	CONNECT WIRE	STEP MOTOR, GRILL	1	SNA
15	DB93-04367A	CONNECT WIRE	POWER	1	SNA
16	DB93-04695A	CONNECT WIRE MPI	ASSY	1	SNA
17	6001-000725	SCREW-MACHINE	TH M4*L16	1	SNA

MEMO

5-4 Ass'y Control Out

- Aqv09VBCX : DB93-05534E
- Aqv12VBCX : DB93-05534F



■ Parts List

No	CODE NO.	DESCRIPTION	SPECIFICATION	**09**	**12**	SA/SNA
				DB93-05534E	DB93-05534F	
1	DB61-02250A	CASE CONTROL-BASE	CASE CONTROL COVER	1	1	SA
2	DB62-04566A	SEAL-CASE CONTROL COVER	SEAL-CASE CONTROL COVER	1	1	SNA
3	6002-000630	SCREW	PH +,2S,M3,L8	3	3	SNA
4	DB91-00306A	ASSY-SCREW MACHINE	SCREW,M3,L16	5	5	SNA
5	DB93-05543F	ASSY-PCB OUT	ASSY-PCB OUT,VIVACE 12K	-	1	SA
1	DB93-05543E	ASSY-PCB OUT	ASSY-PCB OUT,VIVACE 9K	1	-	SA
6	DB62-03155A	HEAT SINK	HEAT SINK	1	1	SA
7	DB98-24813A	ASSY	THERMAL GREASE	0.002	0.002	SNA
8	DB93-04264A	ASSY-PCB EMI	ASSY PCB-OUTDOOR	1	1	SA
9	DB61-02249A	CASE CONTROL-COVER	CASE CONTROL BASE	1	1	SA
10	DB70-00858A	PLATE-CONTROL OUT	PLATE-CONTROL OUT	1	1	SNA
11	DB62-02332P	SEAL-CASE CONTROL	FOAM-PU(30)	1	1	SNA
12	DB91-00309A	SCREW-TAPPING	PH+,M3,20	1	1	SNA
13	DB95-01140B	TERMINAL BLOCK	TERMINAL BLOCK-ASSY	1	1	SNA
14	DB61-00250A	HOLDER-WIRE CLAMP	HOLDER-WIRE CLAMP	1	1	SNA
15	6002-000234	SCREW	TH +,M4,L10	2	2	SNA
16	DB81-00547B	INSULATOR-KFR	MICA	1	1	SNA
17	6009-001001	SCREW	TH+,M4,L8	2	2	SNA
18	DB65-10088D	CABLE-TIE	NYLON66	1	1	SNA
19	2301-001377	C-FILM,LEAD-OTHER	1.2uF,450V	0	0	SNA
20	6003-000336	SCREW	TH,+,-,M4,L10,ZPC,SM20C,-,-	1	1	SNA
21	6002-000560	SCREW-TAPPING	PH+,M4,2S,L10	0	0	SNA
22	6002-000630	SCREW	PH +,2S,M3,L8	1	1	SNA