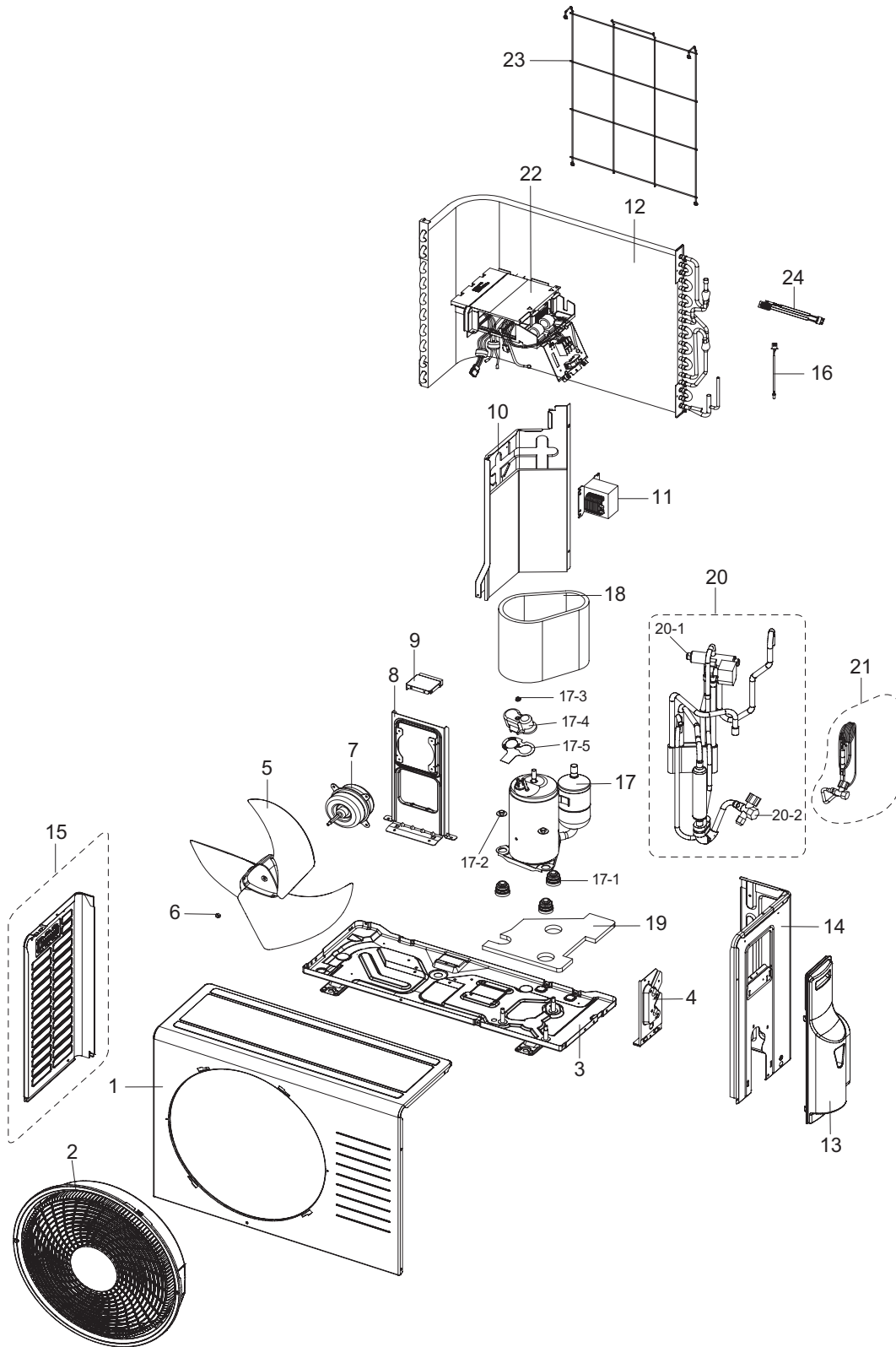


# 5-2 Outdoor Unit



## ■ Parts List

No.	Code No.	Description	Specification	Qty	SA/SNA
				AQV12PSCXEUR	
1	DB90-03846A	ASSY CABI FRONT	ASSY	1	SA
2	DB63-02004A	GUARD FAN	PP	1	SA
3	DB90-01330L	ASSY BASE OUT	ASSY	1	SA
4	DB99-00401B	BRACKET-VALVE	SECC-M, T1.0	1	SA
5	DB31-00590A	MOTOR FAN	ASSY	1	SA
6	DB67-00397B	FAN-PROPELLER	AS+GF20%, Φ 400	1	SA
7	6009-001369	SCREW-HEX	M4, L12	3	SA
8	DB60-30004A	SCREW-MACHINE	M6, ZPC (WHT)	1	SA
9	DB61-01644A	BRACKET MOTOR	SGCC-M	1	SA
10	DB97-02225N	ASSY-SUPPORT PLATE B/M	ASSY	1	SA
11	DB94-02958A	ASSY-PARTITION	ASSY	1	SA
12	DB27-00041B	COIL CHOKE-REACTOR	5mH, 10A	1	SA
13	DB96-06562H	ASSY COND	ASSY	1	SA
14	DB64-02117B	SCREEN-COND BAR	ASSY	1	SA
15	DB90-01546Q	ASSY CABINET-SIDE RH	ASSY	1	SA
16	DB90-03818H	ASSY COVER CONTROL	ASSY	1	SA
17	DB90-01332C	ASSY CABINET-SIDE LF	ASSY	1	SA
17-1	DB64-01094A	CABINET-SIDE LF	SECC-P	1	SA
17-2	DB64-00992A	HANDLE-LF	PP	1	SA
18	UG9A090FUBEPSS	COMPRESSOR	ROTARY	1	SA
19	6021-001142	NUT-HEXAGON FLANGE	M5, ZPC (YEL)	1	SA
20	DB60-30028A	SCREW-HEX	M8, ZPC (WHT)	3	SA
21	DB99-01063A	GROMMET ISOLATOR	ASSY	3	SA
22	DB63-02312A	COVER TERMINAL	NORYL	1	SA
23	DB63-01416C	GASKET	EPDM RUBBER	1	SA
24	DB63-02843A	FELT-COMP UPPER OUT	FELT+PVC	1	SA
25	DB63-02850A	FELT-COMP SIDE	FELT	1	SA
26	DB63-02844A	FELT-COMP SIDE OUT	FELT+PVC	1	SA
27	DB63-02845A	FELT-COMP BASE	FELT	1	SA
28	DB93-10959A	ASSY CONTROL OUT	ASSY	1	SNA
29	DB96-16886A	ASSY-VALVE 4WAY	ASSY	1	SA
29-1	DB95-01612C	ASSY-SOLENOID	ASSY	1	SA
30	DB96-14950A	ASSY-VALVE CHECK	ASSY	1	SA