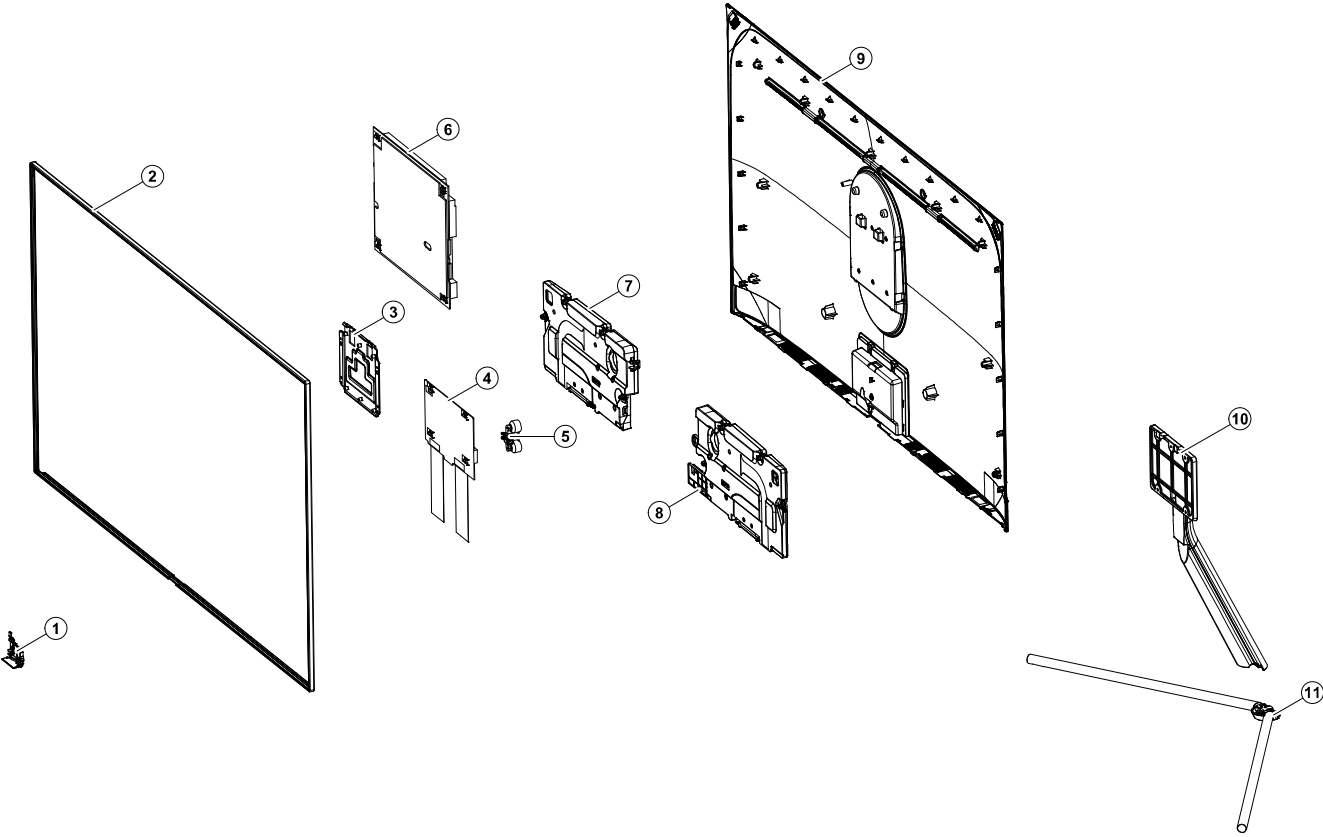


# 1. Exploded View & Part List

## Exploded View

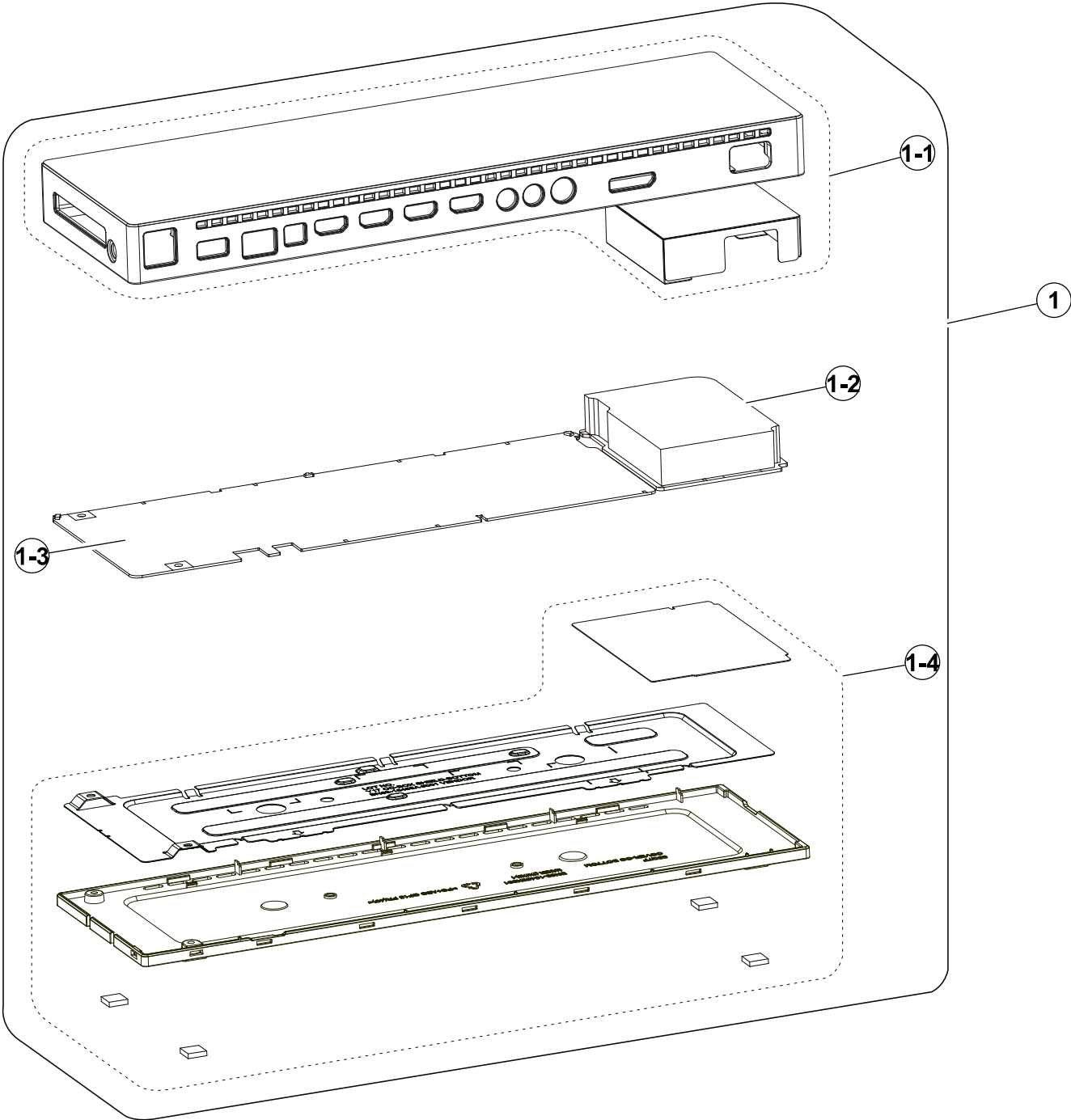


## Parts List

No.	Lvl.	Loc.	Material Code	Description & Specification	SNA	Qty.
1	2		BN96-42259A	ASSY BOARD P-FUNCTION ONE KEY; Q7,Q8 Wave	SA	1
2	1		BN95-03859A	PRODUCT LCD-SDC; CY-QM055FLLV2V/H,Q7F,BAS	SA	1
3	4	SB05A	BN96-42149A	ASSY BRACKET P-STAND LINK; 55Q7C,HGI,NATU	SNA	1
4	2	M0014	BN94-11487B	ASSY PCB MAIN; Q7F	SA	1
5	2	EI01A	BN96-42288A	ASSY INLET P; Q7,Q8_49 55",UL10938 #22,25	SA	1
6	2		BN44-00899A	DC VSS-PD BOARD; L49E7N_MDY,AC/DC,175W,AC	SA	1
7	2		BN96-42182A	ASSY SPEAKER P-FRONT; TV-SPK,Q7F,6ohm,10W	SA	1
8	2		BN59-01264A	NETWORK-WLAN CLIENT; WCM730Q,75x26x1mm	SA	1
9	2	R001A	BN96-42809C	ASSY COVER P-REAR; 55Q7F,PC+ABS+ED20%,V-1	SA	1
10	2	SG01A	BN96-42137A	ASSY GUIDE P-STAND; 55Q7C,PC+ABS,SILVER	SA	1
11	2	SB02A	BN96-42142A	ASSY STAND P-BOTTOM; 55Q7C,PC+ABS,SILVER	SA	1

## 2. ONE CONNECT Exploded View & Part List

ONE CONNECT Exploded View



**Parts List**

No.	Lvl.	Loc.	Material Code	Description & Specification	SNA	Qty.
1	1		BN91-19040R	ASSY FIXING-JACKPACK, Q7, SESK ONLY; Q7	SNA	1
1-1	2		BN96-42189D	ASSY COVER P-OC TOP; 55Q7E,PC,V-2,TP0021,	SA	1
1-2	2		BN44-00898A	DC VSS-POWER BOARD; P4513Q_MHS,AC/DC,45W,	SA	1
1-3	2		BN94-12074A	ASSY PCB OC; QMQ7CV	SA	1
1-4	2		BN96-42191B	ASSY COVER P-OC BOTTOM; 55Q8C,PC+ABS+GF15	SA	1

### 3. Electrical Parts List

Level	Loc.	Part Code	Description & Specification	Qty.	SA/SNA
			<b>QE55Q7FAMTXXC (FA01)</b>		
1	S001A	BN90-07987B	ASSY STAND;LED_7K	1	SNA
.2	SG01A	BN96-42137A	ASSY GUIDE P-STAND;55Q7C,PC+ABS,SILVER	1	SA
..3	SCREW	6003-000282	SCREW-TAPTYPE;BH,+,-,B,M3,L8,ZPC(BLK),SW	3	SA
..3		6902-002462	BAG PE;HDPE/PE FOAM,T0.015/T0.5,W100,L50	1	SNA
..3		6902-002783	BAG PE;HDPE/PE FOAM,T0.015/T0.5,W200,L16	1	SNA
..3		BN95-04061A	ASSY COVER STAND SMT-NECK FRONT;Q7F,49/5	1	SNA
...4		0204-007674	COATING;UVICHEM CVM93000(VOC) MATT(5),CL	0	SNA
...4		BN63-16319A	COVER-STAND NECK FRONT;55Q7F,PC+ABS,MOLD	1	SNA
...4		BN69-13009X	PAD-DP SHEET;65Q7F,CB,DW,W1085,L845,YEL	1	SNA
...4		BN69-13892R	MASTER BOX-DP;65Q7F,CB,DW1,A1,L1095,W855	1	SNA
...4		BN69-14558X	PAD-DP CROSS;65Q7F,CB,DW,W1084,L50,YEL,(	1	SNA
...4		BN69-14558Y	PAD-DP CROSS;65Q7F,CB,DW,W844,L50,YEL,(3	1	SNA
..3		BN95-04067A	ASSY COVER STAND SMT-NECK REAR;Q7F,49/55	1	SNA
..4		0203-007002	TAPE-SINGLE FACE;OPP,T0.06,W75,L66M,CLEA	41	SNA
..4		6902-002461	BAG PE;HDPE/PE FOAM,T0.015/T0.5,W100,L60	2	SNA
...4		BN01-00337A	TARGET-ALUMINIUM CY;Al,99.9%,1924mm, 132	0	SNA
...4		BN01-00340A	TARGET-CHROMIUM CY;Cr,99.5%,1924mm, 132d	0	SNA
...4		BN63-16320A	COVER-STAND NECK REAR;55Q7F,PC+ABS,MOLD,	1	SNA
....5		0103-005041	RESIN PC ABS;FR3200TV,901408,BK0008,1.2m	175	SNA
..4		BN68-03920A	LABEL BOX;ALL,ART PAPER,W100,L75,W/W,100	2	SNA
..4		BN69-13009Z	PAD-DP SHEET;65Q7F,CB,DW,W1040,L520,YEL	1	SNA
..4		BN69-13892T	MASTER BOX-DP;65Q7F,CB,DW1,A1,L1060,W530	1	SNA
..4		BN69-13981B	PAD-DP CROSS;65Q7F,CB,DW,W518,L55,YEL,(4	1	SNA
..4		BN69-14558Z	PAD-DP CROSS;65Q7F,CB,DW,W1038,L55,YEL,(	1	SNA
..3		BN96-42763A	ASSY GUIDE P-STAND NECK;55Q7F,ALDC,BLACK	1	SNA
..4		BN61-04692A	ADHESIVE-AA;SHEET,CLEAR,C043	0	SNA
..4		BN61-14490A	BRACKET-STAND NECK;55Q7F,ALDC,MOLD,NATUR	1	SNA
..4	CD101	BN65-00011A	HOLDER-CABLE;60UD6000,PA66,NATURAL	2	SNA
..4	RF01	BN67-00327S	FOOT-RUBBER;E7000,Si,GRAY,W10,L10,T3	1	SNA
.2	SB02A	BN96-42142A	ASSY STAND P-BOTTOM;55Q7C,PC+ABS,SILVER	1	SA
..3		6001-001789	SCREW-MACHINE;CH,+M3,L6,NI PLT,SWRCH18A	2	SNA
..3	SCREW	6003-001010	SCREW-TAPTYPE;FH,+B,M3,L6,ZPC(WHT),SWRC	3	SA
..3		BN61-04692A	ADHESIVE-AA;SHEET,CLEAR,C043	0	SNA
..3	RF01	BN61-13520F	FOOT-RUBBER;55Q8,RUBBER,GRAY,W6,L25,T3	2	SNA
..3		BN61-14504A	BRACKET-STAND BOTTOM;55Q7F,HGI,T2,NATURA	1	SNA
..3		BN63-16321A	COVER-STAND BOTTOM;55Q7F,PC+ABS,MOLD,V-0	1	SNA
..3		BN63-16340A	COVER-STAND TOP FRONT;55Q7F,STS304,EXTRU	1	SNA

Exploded Views and Parts List

Level	Loc.	Part Code	Description & Specification	Qty.	SA/SNA
..3	RF01	BN67-00327S	FOOT-RUBBER;E7000,Si,GRAY,W10,L10,T3	1	SNA
..3		BN69-15987C	BAG ACCESSORY;LDPE,0.05,L500,W40,TRP	2	SNA
..3		BN69-16016A	PACKING SHEET;65Q7F,NITRON,T0.015/T0.5,W	1	SNA
..3		BN96-36261A	ASSY ACCESSORY-SCREW;JU7000 75",6003-001	2	SNA
...4	SCREW	6003-001334	SCREW-TAPTYPE;BH,+,S,M4,L14,ZPC(BLK),SWR	8	SA
...4		6902-002476	BAG SCREW;LDPE,T0.05*,W70,L90,TRP,RECYCL	2	SNA
1	R001A	BN90-08754C	ASSY COVER REAR;Q7C	1	SNA
.2	R001A	BN96-42809C	ASSY COVER P-REAR;55Q7F,PC+ABS+ED20%,V-1	1	SA
..3		0203-007014	TAPE-SINGLE FACE;PET,T0.05,W50,L100M,CLE	0	SNA
..3		BN68-05603A	LABEL-E PASS;ART PAPER 90G,W/W	3	SNA
..3	R001A	BN96-42174C	ASSY COVER P-REAR;55Q7F,PC+ABS+ED20%,V-1	1	SNA
...4		BN63-10851F	SHEET-PROTECTION COVER;HU8500,AL,T0.1,W3	1	SNA
...4	R001	BN63-16316A	COVER-REAR;55Q7F,PC+ABS+ED20%,MOLD,V-1,B	1	SNA
...4		BN68-07835K	LABEL-STICKER LICENSE;55Q7F,PET,T0.125,W	1	SNA
..3		BN96-42175A	ASSY COVER P-CLEAN BACK STAND;55Q7F,PC+A	1	SNA
...4		BN61-13387A	HOLDER-COVER;55KU6500,TPE,MOLD,BLK,HB	4	SNA
...4		BN63-16366A	COVER-CLEAN BACK STAND;55Q7F,PC+ABS+ED20	1	SNA
....5		0103-010818	RESIN PC ABS;CM20G/BK00749,BLACK,BK0007,	3522	SNA
....5		BN68-00513D	LABEL-RESIN;resin,-,ART,-,W10,L25,-,-,-,	1	SNA
1		BN90-08757A	ASSY W/I;Q7C	1	SNA
.2		BN81-08159Z	A/S PART SET-ELEC W/I;LED TV ELEC spec-C	1	SNA
.2		BN81-14747D	A/S PART SET-MECH W/I;QMQ7FU,QA55Q7FAMK,	1	SNA
1		BN91-17231A	ASSY SHIELD;7K	1	SNA
.2		BN39-02211F	LEAD CONNECTOR-SUB ASSY;Q7F,Q7C,Q8C,UL21	1	SA
.2		BN39-02308A	LEAD CONNECTOR-POWER;Q7F/Q7C/Q8C,UL21016	1	SA
.2		BN39-02311B	LEAD CONNECTOR-DIMMING;Q7F_55inch,UL2101	1	SA
.2		BN39-02312A	LEAD CONNECTOR-SUB ASSY;Q7C/Q7F,UL21016,	1	SA
.2		BN44-00899A	DC VSS-PD BOARD;L49E7N_MDY,AC/DC,175W,AC	1	SA
.2		BN59-01264A	NETWORK-WLAN CLIENT;WCM730Q,75x26x1mm	1	SA
.2		BN68-08579A	LABEL ETC;ALL MODEL,PP,T0.08,W78,L86,160	1	SNA
.2		BN96-42166B	FFC CABLE;Q7F,Q7C,Q8C 49_55_65,Straight,	2	SA
.2		BN96-42182A	ASSY SPEAKER P-FRONT;TV-SPK,Q7F,6ohm,10W	1	SA
.2		BN96-42259A	ASSY BOARD P-FUNCTION ONE KEY;Q7,Q8 Wave	1	SA
.2	EI01A	BN96-42288A	ASSY INLET P;Q7,Q8_49 55",UL10938 #22,25	1	SA
1	M0017	BN91-18485B	ASSY CHASSIS;Q7F	1	SNA
.2	M0014	BN94-11487B	ASSY PCB MAIN;Q7F	1	SA
..3		BN62-00836A	HEAT SINK-PS;SJT-MOD-144,A1050,T1.5,W100	1	SNA
..3		BN97-12396B	ASSY SMD;Q7F	1	SNA
...4		0403-001779	DIODE-ZENER;MMSZ5234BT1G,5.89~6.51V,500m	2	SA
...4		0403-001831	DIODE-ZENER;KDZ12B,12~13.5V,1000mW,SOD-1	1	SA

Level	Loc.	Part Code	Description & Specification	Qty.	SA/SNA
...4		0403-002014	DIODE-ZENER;KDZ16B,16.2~18.3V,1000mW,SOD	1	SNA
...4		0404-001307	DIODE-SCHOTTKY;SSC54,40V,5000mA,DO-214AB	1	SA
...4		0404-001640	DIODE-SCHOTTKY;SS1060HEWS,60V,1000mA,SOD	2	SA
...4		0404-001953	DIODE-SCHOTTKY;MBRA340F-HAF,40V,3000mA,S	3	SA
...4		0406-001635	DIODE-TVS;SMF5.0A,6.4V,6.7V,7V,200MAV,20	1	SA
...4		0406-001718	DIODE-TVS;SMF36A,40V,44.2V,3.8MAV,1.25VP	1	SA
...4		0502-001345	TR-POWER;FCX491A,NPN,1000mW,SOT89,TR,900	1	SA
...4		0502-001346	TR-POWER;FCX591A,PNP,1000mW,SOT89,TR,30/	1	SA
...4		0504-000126	TR-DIGITAL;KSR1101,NPN,200mW,4.7K/4.7K,S	2	SA
...4		0505-001844	FET-SILICON;SI4435DDY-T1-GE3,P,30V,-11.4	2	SA
...4		0505-002598	FET-SILICON;AP2317GN,P,20V,-4.2A,0.052oh	1	SA
...4		0505-002660	FET-SILICON;Si2308BDS,N,60V,2.3A,0.156oh	1	SA
...4		0505-003205	FET-SILICON;DMG4435SSS-13,P,30V,-7.3A,1.	1	SA
...4		0505-003264	FET-SILICON;AO4447AL,P,30V,-17A,7mohm,3.	1	SA
...4		0505-003391	FET-SILICON;AOD2922,N,100V,8A,140Mohm,18	1	SA
...4		0505-003397	FET-SILICON;2N7002K,N,60V,0.38A,1.19ohm,	1	SA
...4		0505-003507	FET-SILICON;AO3424,N,30V,3.8A,1.4W,SOT-2	10	SA
...4		0801-003292	IC-CMOS LOGIC;7WB66,Bus Switch,MAB08A,8P	2	SA
...4		0904-002882	IC-USC;GL852G-OHY38,QFN,28P,5x5mm,12MHz,	1	SA
...4		1003-002884	IC-LEVEL DRIVER;VLS1RT,QFN,46P,4.5x6.5x1	1	SA
...4		1107-002248	IC-NOR FLASH;-,.64Mbit,8Mbx8,SOP,8P,5.33x	1	SNA
...4		1201-004003	IC-AUDIO AMP;TAS880021,TSSOP,48P,12.5x6.	3	SA
...4		1203-008891	IC-DC/DC CONVERTER;VPM1RT,QFN,68P,8x8x1m	1	SA
...4		1204-003721	IC-DECODER;SDP1615,FCBGA,588P,20.2x20.2x	1	SA
...4	IS01	1209-002183	IC-SENSOR;S-5851AAA-M6T1U,SOT,6Z30,2.9x1	1	SA
...4		1404-001731	THERMISTOR-NTC;33Kohm,4050K,1mW/C,TP,1.6	1	SNA
...4		1405-001381	VARISTOR;11V,8VDC,30A,1608,TP,25V,500pF	3	SA
...4		2007-000043	R-CHIP;1Kohm,1%,1/10W,TP,1608	1	SA
...4		2007-000052	R-CHIP;10Kohm,1%,1/10W,TP,1608	1	SA
...4		2007-000066	R-CHIP;20Kohm,1%,1/10W,TP,1608	1	SNA
...4		2007-000070	R-CHIP;0ohm,5%,1/10W,TP,1608	18	SA
...4		2007-000138	R-CHIP;100ohm,5%,1/16W,TP,1005	2	SA
...4		2007-000287	R-CHIP;100ohm,1%,1/10W,TP,1608	1	SNA
...4		2007-000343	R-CHIP;120ohm,1%,1/10W,TP,1608	1	SA
...4		2007-000772	R-CHIP;33Kohm,1%,1/10W,TP,1608	1	SA
...4		2007-000932	R-CHIP;470ohm,5%,1/16W,TP,1005	1	SNA
...4		2007-000979	R-CHIP;5.6Kohm,1%,1/10W,TP,1608	1	SA
...4		2007-001090	R-CHIP;620ohm,1%,1/10W,TP,1608	1	SA
...4		2007-001292	R-CHIP;33ohm,5%,1/16W,TP,1005	10	SNA
...4		2007-002899	R-CHIP;10ohm,1%,1/10W,TP,1608	16	SA

Exploded Views and Parts List

Level	Loc.	Part Code	Description & Specification	Qty.	SA/SNA
...4		2007-002906	R-CHIP;200Kohm,1%,1/10W,TP,1608	1	SA
...4		2007-007108	R-CHIP;43.2Kohm,1%,1/16W,TP,1005	1	SA
...4		2007-007136	R-CHIP;4.7Kohm,1%,1/16W,TP,1005	84	SNA
...4		2007-007306	R-CHIP;100ohm,1%,1/16W,TP,1005	40	SNA
...4		2007-007309	R-CHIP;12Kohm,1%,1/16W,TP,1005,T0.35	2	SA
...4		2007-007520	R-CHIP;20ohm,1%,1/10W,TP,1608	13	SA
...4		2007-007766	R-CHIP;2Kohm,1%,1/16W,TP,1005	40	SNA
...4		2007-008067	R-CHIP;21Kohm,1%,1/10W,TP,1608	1	SA
...4		2007-008134	R-CHIP;12.4Kohm,1%,1/16W,TP,1005	2	SC
...4		2007-008596	R-CHIP;0.1ohm,1%,1/4W,TP,3216	3	SC
...4		2007-008616	R-CHIP;1.69Kohm,1%,1/16W,TP,1005	1	SA
...4		2011-001264	R-NETWORK;10ohm,5%,1/16W,L,CHIP,8P,TP,2.	16	SNA
...4		2011-001506	R-NETWORK;10Kohm,5%,1/16W,L,CHIP,4P,TP,1	1	SNA
...4		2011-001527	R-NETWORK;4.7Kohm,5%,1/16W,L,CHIP,4P,TP,	1	SNA
...4	AD480	2203-000254	C-CER,CHIP;10nF,10%,16V,X7R,TP,1005	2	SA
...4	AD480	2203-000330	C-CER,CHIP;0.012nF,5%,50V,C0G,TP,1005	1	SA
...4	AD480	2203-000438	C-CER,CHIP;1nF,10%,50V,X7R,TP,1005	15	SA
...4	AD480	2203-000440	C-CER,CHIP;1nF,10%,50V,X7R,TP,1608	1	SA
...4	AD480	2203-000489	C-CER,CHIP;2.2nF,10%,50V,X7R,TP,1005	1	SA
...4	AD480	2203-000714	C-CER,CHIP;3.3nF,10%,50V,X7R,TP,1005	12	SA
...4	AD480	2203-002285	C-CER,CHIP;10nF,10%,50V,X7R,TP,1005	2	SNA
...4	AD480	2203-005249	C-CER,CHIP;100nF,10%,50V,X7R,TP,1608	1	SNA
...4	AD480	2203-006348	C-CER,CHIP;1000nF,10%,25V,X5R,TP,1608,0.	6	SA
...4	AD480	2203-006377	C-CER,CHIP;4700nF,10%,25V,X5R,TP,2012	2	SNA
...4	AD480	2203-006636	C-CER,CHIP;220nF,10%,25V,X7R,TP,1608	1	SA
...4	AD480	2203-006841	C-CER,CHIP;1000nF,10%,16V,X5R,TP,1005	24	SNA
...4	AD480	2203-006842	C-CER,CHIP;0.47nF,5%,50V,C0G,TP,1005	2	SNA
...4	AD480	2203-007176	C-CER,CHIP;10000nF,10%,16V,X5R,TP,2012,1	14	SNA
...4	AD480	2203-007306	C-CER,CHIP;10000nF,10%,25V,X5R,TP,2012,1	15	SNA
...4	AD480	2203-007423	C-CER,CHIP;10000nF,10%,35V,X7R,TP,3216	8	SA
...4	AD480	2203-008096	C-CER,CHIP;2200nF,10%,50V,X5R,TP,2012,1.	1	SA
...4	AD480	2203-008315	C-CER,CHIP;22000nF,20%,25V,X5R,TP,2012,T	12	SA
...4	AD480	2203-008412	C-CER,CHIP;4700nF,10%,50V,X5R,TP,2012,1.	1	SNA
...4		2409-001240	C-ORGANIC,SMD;33uF,20%,25V,LR,TP,7343(1.	1	SA
...4		2703-003747	INDUCTOR-SMD;22uH,20%,0.060,0.135ohm,1300	2	SA
...4		2703-004586	INDUCTOR-SMD;3.3uH,20%,5050,T2,0.063Ohm,	1	SA
...4		2703-004589	INDUCTOR-SMD;2.2uH,20%,5050,T2,0.048Ohm,	2	SA
...4		2703-004724	INDUCTOR-SMD;8.2uH,20%,5050,T4,0.072Ohm,	12	SA
...4		2703-005376	INDUCTOR-SMD;10uH,20%,10.7x10mm,T3.8,0.0	1	SA
...4		2801-000102	CRYSTAL-SMD;12MHz,30ppm,12pF,100ohm,TP	1	SA



Level	Loc.	Part Code	Description & Specification	Qty.	SA/SNA
...4		2801-003856	CRYSTAL-SMD;0.032768MHz,20ppm,28-ACP,7pF	1	SNA
...4		2901-001813	FILTER-EMI SMD;5,0.1,2.0x1.0x0.5mm,TP,3,	1	SNA
...4		3301-001364	BEAD-SMD;1000ohm,1608,TP,1085ohm/108MHz,	6	SNA
...4		3708-003241	CONNECTOR-FPC/FFC/PIC;96P,0.5mm,SMD-A,AU	2	SNA
...4		3710-004226	CONNECTOR-SOCKET;26P,1R,0.5mm,SMD-A,AU,B	1	SA
...4	EH01	3711-007814	HEADER-BOARD TO CABLE;BOX,4P,1R,1.25mm,S	1	SA
...4	EH01	3711-008098	HEADER-BOARD TO CABLE;BOX,20P,1R,1.25mm,	1	SNA
...4	EH01	3711-008453	HEADER-BOARD TO CABLE;BOX,18P,2R,2mm,ANG	1	SA
...4	EH01	3711-008488	HEADER-BOARD TO CABLE;BOX,14P,2R,2mm,ANG	1	SA
...4		3711-009090	CONNECTOR-HEADER;BOX,16P,1R,1.25mm,SMD-A	1	SA
...4		3711-009106	CONNECTOR-HEADER;BOX,20P,2R,2mm,ANGLE,SN	1	SA
...4		BN41-02572A	PCB-MAIN;Q9/Q8/Q7,FR-4,4,1.2T,192x158mm,	1	SNA
...4	CB07	BN61-13312B	BRACKET-SCREWLESS PCB;55KS8000,SK5,T0.3,	4	SNA
...4		BN97-12770A	ASSY MICOM-SUB MICOM_TV;KMMICOM_OC_TV,QM	1	SNA
....5		0903-002079	IC-MICROCONTROLLER;61P809-RG48AWT,LQFP,9	1	SA
...4		BN97-12777A	ASSY MICOM;TCON F/W,KANT-N,W25Q16DVSSIG,	1	SNA
....5		1107-002223	IC-NOR FLASH;W25Q16DVSSIG,16Mbit,2Mbitx8	1	SNA
....5		BN46-00587A	S/W MICOM;KANT-N,TCON F/W	1	SNA
..3		BN97-12792A	ASSY MICOM;TCON DATA,KANT-N,55-SDC-FLAT	1	SNA
...4		BN46-00591A	S/W MICOM;K55ABUNF,SDC,KANT-N,FLAT	1	SNA
1		BN91-19040R	ASSY FIXING-JACKPACK, Q7, SESK ONLY;Q7	1	SNA
.2	SCREW	6003-000275	SCREW-TAPTYPE;BH,+,B,M3,L10,ZPC(BLK),SWR	1	SA
.2		6902-002789	BAG PE;HDPE/PE FOAM,T0.015/T0.5,W180,L50	1	SNA
.2		BN02-00102B	TAPE-SINGLE FACE;FILAMENT,#8917,T0.15,W2	0	SNA
.2		BN39-02301A	ONECONNECT CABLE;LED_Q9000,26P,L5000,UL2	1	SA
.2		BN39-02313A	LEAD CONNECTOR-POWER;Q7,Q8,Q9,UL10368,10	1	SA
.2		BN44-00898A	DC VSS-POWER BOARD;P4513Q_MHS,AC/DC,45W,	1	SA
.2		BN68-05603B	LABEL-E PASS;ART PAPER 90G,GRAY, W/W	2	SNA
.2		BN68-07104D	LABEL-RATING;Monitor,WW,PP,T0.161,W90,L5	1	SNA
.2		BN69-15691A	BOX ACCESSORY;55Q7F,CB,SW-E,Non Standard	1	SNA
.2		BN94-12074A	ASSY PCB OC;QMQ7CV	1	SA
..3		AA68-02626A	LABEL-PQS;ART,W40,L12,SERIAL	2	SNA
..3		BN62-00831A	HEAT SINK-PS;QE55Q7CMTXZG,A1050,T1.5,W2	1	SNA
..3		BN97-12779A	ASSY MICOM;TCON DATA,KANT-M,49-SDC-CURVE	1	SNA
...4		BN46-00583A	S/W MICOM;M49ABUQC,SDC,49A1MU*XM,CURVED	1	SNA
..3		BN97-12803A	ASSY DRM;KAMT-M,DVB,NagSam,MAC,HDMP,CI+	1	SNA
...4		BN46-00109H	KEY CODE-CERTIFICATION;MAC,TV/AV,General	1	SNA
...4		BN46-00110P	KEY CODE-CERTIFICATION;MIRACAST(HDCP2.2)	1	SNA
...4		BN46-00601A	KEY CODE-CERTIFICATION;KANT-M,CI PLUS,Sa	1	SNA
...4		BN46-00604A	KEY CODE-CERTIFICATION;KANT-M,Nagra CSC	1	SNA

Exploded Views and Parts List

Level	Loc.	Part Code	Description & Specification	Qty.	SA/SNA
...3		BN97-13045B	ASSY SMD-JACKPACK;QMQ7CV	1	SNA
...4		0202-001899	SOLDER-CREAM;M705-GRN360-K2-VT,20-38um,S	8	SNA
...4	DS01A	0401-001056	DIODE-SWITCHING;MMBD4148SE,100V,200mA,SO	2	SA
...4		0403-001783	DIODE-ZENER;BZB84-C6V2,5.8~6.6V,300mW,SO	4	SNA
...4		0404-001404	DIODE-SCHOTTKY;BAT721C,40V,200mA,SOT-23,	2	SA
...4		0404-001881	DIODE-SCHOTTKY;SS3040-HE,40V,3000mA,SOD-	4	SA
...4		0406-001200	DIODE-TVS;RClamp0504F,6V,1MAV,TP	10	SA
...4		0406-001290	DIODE-TVS;3.0SMCJ20A,22.2V,24.5V,5MAV,30	1	SNA
...4		0406-001778	DIODE-TVS;PUSB3FR4,5.5V,9V,0.2MAV,0.7VPA	9	SA
...4		0501-000445	TR-SMALL SIGNAL;KTC3875S-Y,NPN,150mW,SOT	12	SC
...4		0501-000462	TR-SMALL SIGNAL;MMBT2907A,PNP,350mW,SOT-	3	SA
...4		0505-002560	FET-SILICON;AO6415,P,20V,-3.3A,0.15ohm,1	2	SA
...4		0505-002893	FET-SILICON;AO4801AS,P,30V,-5A,2W,SOIC-8	1	SA
...4		0601-003620	LED-IR;SMD Angle Type,1.4mm,200mW,5V,940	3	SA
...4		0801-003603	IC-CMOS LOGIC;MC74LCX244MN2TWG,Octal buf	1	SA
...4		1001-001545	IC-ANALOG MULTIPLEX;TS3USB221ERSER,R-PQF	1	SA
...4		1001-001680	IC-ANALOG MULTIPLEX;TC7SB3157CFU,CMOS,US	2	SA
...4		1001-002047	IC-ANALOG MULTIPLEX;TS3USB3031,QFN,12P,1	4	SA
...4		1006-001576	IC-DRIVER/RECEIVER;MAX3221ECPWR,TSSOP,16	1	SA
...4		1103-001564	IC-EEPROM;S-24C512CI-J800,512Kbit,64Kx8,	1	SA
...4		1105-002751	IC-DDR4 SDRAM;K4F2E3S4HM-MGCJ,LPDDR4-SDR	2	SA
...4		1203-004363	IC-VOL. DETECTOR;SOT-23,3Z30,2.9x1.6mm,P	2	SA
...4		1203-008082	IC-DC/DC CONVERTER;TPS54627DDAR,SOP 8P,8	1	SA
...4		1203-008102	IC-POSI.FIXED REG.;S-13A1D12-E800,HSOP,8	1	SNA
...4		1203-008104	IC-POSI.FIXED REG.;S-13A1D18-E800,HSOP,8	1	SNA
...4		1203-008105	IC-POSI.FIXED REG.;S-13A1D33-E800,HSOP,8	1	SNA
...4		1203-008343	IC-POSI.FIXED REG.;AP7340D-26FS4-7-71,DF	1	SA
...4		1203-008392	IC-VOL. DETECTOR;S-6414AAB-L800X,TSOT-23	2	SA
...4		1203-008777	IC-DC/DC CONVERTER;TPS563201,SOT-23,6,1.	9	SNA
...4		1203-008917	IC-DC/DC CONVERTER;G5334CQT1U,QFN4,23P,4	1	SA
...4		1203-008918	IC-DC/DC CONVERTER;TPS65235,WQFN,20P,3x3	1	SA
...4		1203-008919	IC-DC/DC CONVERTER;SYD104AADC,TSOT23,6P,	1	SNA
...4		1203-008921	IC-DC/DC CONVERTER;SYU236ARAC,QFN,20P,3x	1	SNA
...4		1203-008933	IC-POSI.ADJUST REG.;G942F11U,SOP,8P,4.9x	1	SA
...4		1204-003714	IC-DECODER;SDP1601,FCPBGA,1147,31x31x18m	1	SA
...4		1204-003722	IC-DECODER;SDP1605,FCBGA,588P,20.2x20.2x	1	SA
...4		1205-005519	IC-SWITCH;ET20163,SOT23-5,5P,2.95x3.02mm	6	SA
...4		1205-005537	IC-REPEATER;TCA9517,VSSOP,8P,3.00x3.00mm	4	SA
...4		1205-005706	IC-RECEIVER;SN65LVDS4,UQFN,10P,1.50x2.00	4	SA
...4		1205-005749	IC-SWITCH;G2897KD1U,TDFN2X3-14,14P,2x3mm	3	SA

Level	Loc.	Part Code	Description & Specification	Qty.	SA/SNA
...4		1405-001232	VARISTOR;6.4V,5.6VDC,30A,1608,TP,19V,200	9	SNA
...4		1405-001271	VARISTOR;35V,20VDC,5A,1005,TP,100V,10pF	10	SA
...4		1405-001382	VARISTOR;24.5V,16VDC,120A,2012,TP,42V,40	2	SA
...4		2007-000039	R-CHIP;0ohm,1%,1/10W,TP,1608	1	SA
...4		2007-000143	R-CHIP;4.7Kohm,5%,1/16W,TP,1005	48	SNA
...4		2007-000170	R-CHIP;1Mohm,5%,1/16W,TP,1005	1	SNA
...4		2007-000171	R-CHIP;0ohm,5%,1/16W,TP,1005	101	SNA
...4		2007-000173	R-CHIP;22ohm,5%,1/16W,TP,1005	10	SNA
...4		2007-000501	R-CHIP;2.2ohm,1%,1/10W,TP,1608	1	SA
...4		2007-000683	R-CHIP;3.3Kohm,1%,1/10W,TP,1608	1	SA
...4		2007-001125	R-CHIP;68Kohm,1%,1/10W,TP,1608	2	SA
...4		2007-001298	R-CHIP;51ohm,5%,1/16W,TP,1005	9	SNA
...4		2007-002425	R-CHIP;1ohm,5%,1/10W,TP,1608	5	SNA
...4		2007-003015	R-CHIP;2.2ohm,5%,1/16W,TP,1005	8	SNA
...4		2007-007107	R-CHIP;100Kohm,1%,1/16W,TP,1005	37	SNA
...4		2007-007131	R-CHIP;13Kohm,1%,1/16W,TP,1005	5	SA
...4		2007-007132	R-CHIP;15Kohm,1%,1/16W,TP,1005	1	SA
...4		2007-007135	R-CHIP;18Kohm,1%,1/16W,TP,1005	1	SNA
...4		2007-007137	R-CHIP;1.2Kohm,1%,1/16W,TP,1005	4	SA
...4		2007-007138	R-CHIP;27Kohm,1%,1/16W,TP,1005	1	SNA
...4		2007-007139	R-CHIP;47Kohm,1%,1/16W,TP,1005,T0.35	16	SA
...4		2007-007142	R-CHIP;10Kohm,1%,1/16W,TP,1005	58	SNA
...4		2007-007231	R-CHIP;110Kohm,1%,1/10W,TP,1608	1	SA
...4		2007-007305	R-CHIP;120ohm,1%,1/16W,TP,1005	1	SNA
...4		2007-007307	R-CHIP;150ohm,1%,1/16W,TP,1005	4	SNA
...4		2007-007308	R-CHIP;33Kohm,1%,1/16W,TP,1005	1	SA
...4		2007-007310	R-CHIP;8.2Kohm,1%,1/16W,TP,1005	5	SA
...4		2007-007312	R-CHIP;20Kohm,1%,1/16W,TP,1005	25	SA
...4		2007-007313	R-CHIP;6.8Kohm,1%,1/16W,TP,1005	4	SA
...4		2007-007315	R-CHIP;3.9Kohm,1%,1/16W,TP,1005	1	SNA
...4		2007-007316	R-CHIP;3.3Kohm,1%,1/16W,TP,1005	4	SNA
...4		2007-007317	R-CHIP;2.2Kohm,1%,1/16W,TP,1005	1	SA
...4		2007-007318	R-CHIP;1Kohm,1%,1/16W,TP,1005	46	SNA
...4		2007-007334	R-CHIP;200Kohm,1%,1/16W,TP,1005	6	SNA
...4		2007-007470	R-CHIP;7.5Kohm,1%,1/16W,TP,1005	1	SNA
...4		2007-007517	R-CHIP;240ohm,1%,1/16W,TP,1005	5	SNA
...4		2007-007528	R-CHIP;1.5Kohm,1%,1/16W,TP,1005	5	SA
...4		2007-007549	R-CHIP;4.99Kohm,1%,1/10W,TP,1608	1	SNA
...4		2007-007588	R-CHIP;1.8Kohm,1%,1/16W,TP,1005	4	SA
...4		2007-007627	R-CHIP;16Kohm,1%,1/16W,TP,1005	1	SA

Exploded Views and Parts List

Level	Loc.	Part Code	Description & Specification	Qty.	SA/SNA
...4		2007-007671	R-CHIP;11Kohm,1%,1/16W,TP,1005	1	SA
...4		2007-007736	R-CHIP;510Kohm,1%,1/10W,TP,1608	1	SA
...4		2007-007767	R-CHIP;200ohm,1%,1/16W,TP,1005	7	SA
...4		2007-007798	R-CHIP;10ohm,1%,1/16W,TP,1005	21	SA
...4		2007-007942	R-CHIP;1Mohm,1%,1/16W,TP,1005	2	SNA
...4		2007-008015	R-CHIP;75ohm,1%,1/16W,TP,1005	1	SNA
...4		2007-008026	R-CHIP;56ohm,1%,1/16W,TP,1005	1	SA
...4		2007-008136	R-CHIP;36Kohm,1%,1/16W,TP,1005	5	SA
...4		2007-008269	R-CHIP;51Kohm,1%,1/16W,TP,1005	1	SA
...4		2007-008275	R-CHIP;30Kohm,1%,1/16W,TP,1005	4	SNA
...4		2007-008294	R-CHIP;33ohm,1%,1/16W,TP,1005	26	SA
...4		2007-008298	R-CHIP;49.9ohm,1%,1/16W,TP,1005	25	SA
...4		2007-009322	R-CHIP;1.3Kohm,1%,1/16W,TP,1005	5	SA
...4		2011-001261	R-NETWORK;33ohm,5%,1/16W,L,CHIP,8P,TP,2.	6	SA
...4		2011-001344	R-NETWORK;100ohm,5%,1/16W,L,CHIP,8P,TP,2	6	SA
...4		2011-001449	R-NETWORK;22ohm,5%,1/16W,L,4P,TP,1.0x1.0	10	SA
...4	AD480	2203-000233	C-CER,CHIP;0.1nF,5%,50V,C0G,TP,1005	20	SA
...4	AD480	2203-000278	C-CER,CHIP;0.01nF,0.5pF,50V,C0G,TP,1005	6	SA
...4	AD480	2203-000359	C-CER,CHIP;0.15nF,5%,50V,C0G,TP,1005,0.5	3	SNA
...4	AD480	2203-000425	C-CER,CHIP;0.018nF,5%,50V,C0G,TP,1005	7	SA
...4	AD480	2203-000585	C-CER,CHIP;0.22nF,10%,50V,X7R,TP,1005	1	SA
...4	AD480	2203-000812	C-CER,CHIP;0.033nF,5%,50V,C0G,TP,1005	9	SA
...4	AD480	2203-000940	C-CER,CHIP;0.47nF,10%,50V,X7R,TP,1005	4	SA
...4	AD480	2203-001072	C-CER,CHIP;0.056nF,5%,50V,NP0,TP,1005	1	SA
...4	AD480	2203-001851	C-CER,CHIP;0.016nF,5%,50V,NP0,TP,1608	1	SNA
...4	AD480	2203-002398	C-CER,CHIP;22nF,10%,50V,X7R,TP,1608	1	SNA
...4	AD480	2203-002443	C-CER,CHIP;0.33nF,10%,50V,X7R,TP,1005	1	SA
...4	AD480	2203-002525	C-CER,CHIP;0.56nF,10%,50V,X7R,TP,1005	1	SNA
...4	AD480	2203-002720	C-CER,CHIP;10nF,10%,25V,X7R,TP,1005,T0.5	1	SNA
...4	AD480	2203-005057	C-CER,CHIP;0.0082nF,0.25pF,50V,NP0,TP,10	2	SA
...4	AD480	2203-005993	C-CER,CHIP;68nF,10%,16V,X7R,1005	1	SA
...4	AD480	2203-006048	C-CER,CHIP;100nF,10%,10V,X7R,TP,1005	59	SA
...4	AD480	2203-006126	C-CER,CHIP;47nF,10%,16V,X7R,TP,1005	1	SNA
...4	AD480	2203-006158	C-CER,CHIP;100nF,10%,16V,X7R,TP,1005,T0.	298	SNA
...4	AD480	2203-006324	C-CER,CHIP;2200nF,10%,10V,X5R,TP,1608	13	SA
...4	AD480	2203-006399	C-CER,CHIP;1000nF,10%,6.3V,X5R,TP,1005	2	SA
...4	AD480	2203-006562	C-CER,CHIP;1000nF,10%,10V,X5R,TP,1005	33	SNA
...4	AD480	2203-006698	C-CER,CHIP;1000nF,10%,25V,X7R,TP,1608,T0	8	SNA
...4	AD480	2203-006824	C-CER,CHIP;4700nF,10%,10V,X5R,TP,1608	30	SNA
...4	AD480	2203-006838	C-CER,CHIP;2200nF,10%,6.3V,X5R,TP,1005	6	SA

Level	Loc.	Part Code	Description & Specification	Qty.	SA/SNA
...4	AD480	2203-006844	C-CER,CHIP;470nF,10%,10V,X5R,TP,1005	5	SA
...4	AD480	2203-006890	C-CER,CHIP;10000nF,20%,6.3V,X5R,TP,1608	103	SNA
...4	AD480	2203-007240	C-CER,CHIP;22000nF,20%,6.3V,X5R,TP,1608(	88	SA
...4	AD480	2203-007269	C-CER,CHIP;22000nF,20%,10V,X5R,TP,2012(2	46	SA
...4	AD480	2203-007270	C-CER,CHIP;10000nF,10%,10V,X5R,TP,1608,0	116	SNA
...4	AD480	2203-007544	C-CER,CHIP;100nF,10%,50V,X7R,TP,1005,T0.	53	SA
...4	AD480	2203-007795	C-CER,CHIP;10000nF,20%,10V,X5R,TP,1005(1	1	SA
...4		2703-000213	INDUCTOR-SMD;470nH,10%,1.35Ohm,35mA,15,M	1	SA
...4		2703-002269	INDUCTOR-SMD;56nH,5%,1005,T0.5,1.4Ohm,15	7	SA
...4		2703-003263	INDUCTOR-SMD;3.3uH,20%,10x10mm,0.0118Ohm	1	SA
...4		2703-003754	INDUCTOR-SMD;1uH,20%,1608,T0.8,0.24Ohm,9	1	SNA
...4		2703-003862	INDUCTOR-SMD;10uH,20%,6060,0.065ohm,1900	5	SA
...4		2703-003937	INDUCTOR-SMD;1uH,20%,70647,T3,0.008Ohm,1	1	SA
...4		2703-004630	INDUCTOR-SMD;2.2uH,20%,7070,T5,0.0025Ohm	1	SNA
...4		2703-005191	INDUCTOR-SMD;1.5uH,20%,6060,T4.5,0.02Ohm	7	SA
...4		2801-004938	CRYSTAL-SMD;24MHz,20ppm,SMD,12pF,60Ohm,T	2	SA
...4		2801-005372	CRYSTAL-SMD;24.576MHz,20ppm,HCX-3SB,12 p	2	SA
...4		3301-002039	BEAD-SMD;26ohm,1608,TP	105	SA
...4		3601-001374	FUSE-SURFACE MOUNT;32V,5A,FAST-ACTING,PL	9	SA
...4		3601-001376	FUSE-SURFACE MOUNT;32V,3A,FAST-ACTING,Hi	4	SNA
...4		3701-001967	CONNECTOR-HDMI;19P,A,FEMALE,AU,0.5mm,BLK	4	SA
...4		3707-001104	CONNECTOR-OPTICAL;ANGLE,SPDIF	1	SA
...4		3709-001712	CONNECTOR-CARD SLOT;68P,1.27mm,ANGLE,AU,	1	SA
...4		3710-004227	CONNECTOR-SOCKET;26P,1R,0.5mm,SMD-A,AU,B	1	SA
...4		3711-007975	CONNECTOR-HEADER;BOX,10P,1R,1.25mm,SMD-A	2	SA
...4		3722-003199	JACK-MODULAR;8P/8C,Y,ANGLE,NONE,AU,1PORT	1	SA
...4		3722-003216	JACK-PHONE;1P/7C,AU,BLK,SMD-A,3.6PI,10.2	1	SA
...4		3722-003457	JACK-USB;4P/1C,NI,BLK,ANGLE,A,2.0,13.1x1	1	SA
...4		3722-003524	JACK-USB;4P/2C,AU/NI,BLK,ANGLE,A,2.0,15.	1	SA
...4		6302-001376	GASKET-SMD;,,CONDUCTIVE FABRIC,T14,W43,L	20	SNA
...4		BN13-00070A	IC ASIC;UEI1702,UEI1702,20P,3.3V,-20to+7	1	SA
...4		BN40-00333A	TUNER-DTV AIR CABLE SAT;DNLT243H7A,DVB-T	1	SA
...4		BN41-02571A	PCB-OC;Q9/Q8/Q7,FR-4,4,1.2T,281x142mm,1,	1	SNA
...4		BN97-12769A	ASSY MICOM-SUB MICOM_JP;KMMICOM_OC_JP,QM	1	SNA
....5		1107-002226	IC-NOR FLASH;W25Q40CLSSIP,4Mbit,SOIC,8P,	1	SA
...4		BN97-12772A	ASSY MICOM-MAIN;T-KTMDEUC,QMQ8CW,KLM8G1G	1	SNA
....5		1107-002422	IC-EMMC;8GB,64Gbx1,BGA,153P,11.50 x 13.0	1	SA
...4		BN97-12776A	ASSY MICOM;TCON F/W,KANT-M,W25Q80DVSSIG,	1	SNA
....5		1107-002339	IC-NOR FLASH;W25Q80DV,8Mbit,SOP,5.28x5.2	1	SNA
....5		BN46-00588A	S/W MICOM;KANT-M,TCON F/W	1	SNA

Exploded Views and Parts List

Level	Loc.	Part Code	Description & Specification	Qty.	SA/SNA
.2		BN96-42189D	ASSY COVER P-OC TOP;55Q7F,PC,V-2,TP0021,	1	SA
..3		BN62-00837A	HEAT SINK-PS;65Q8C,A1050,T1.5,W150,L90,B	1	SNA
..3		BN63-16127A	SHEET-PROTECTION COVER;55Q7F,PO,T0.07,W4	0	SNA
..3		BN63-16449D	COVER-OC TOP;55Q7F,PC,MOLD,V-2,TP0002,ON	1	SNA
...4		0103-011084	RESIN PC;TN-1045M/60175,Violet,TP0002,V-	228	SNA
..3		BN63-16532A	INSULATOR-SMPS;55Q7F,PC,BLACK,L148.1,W11	1	SNA
..3		BN64-03327A	BADGE;Ni,INLET,2001gf/in	1	SNA
.2		BN96-42191B	ASSY COVER P-OC BOTTOM;55Q8C,PC+ABS+GF15	1	SA
..3		BN63-16374A	INSULATOR-SMPS;55Q7F,PC,BLACK,L76.5,W103	1	SNA
..3		BN63-16450A	COVER-OC BOTTOM;55Q7F,PC+ABS+GF15%,V-1,B	1	SNA
...4		0103-010275	RESIN PC ABS;235GNH15/6919H,Black,BK0007	145	SNA
..3		BN63-16455A	SHIELD-BOTTOM;55Q7F,EGI-SECC,T0.5,ONE CO	1	SNA
..3	RF01	BN67-00327J	FOOT-RUBBER;PE400,Si,GRAY,W10,L10,T2.5	4	SNA
..3		BN73-00211A	PAD GAP-THERMAL;UE40B7000WWXXC,Si,T6,L35	4	SNA
.2		BN96-42846A	ASSY HOLDER P-OC CABLE;55Q7F,PC,BLACK,V-	1	SA
..3		6902-000683	BAG ZIPPER;LDPE,T0.05,W60,L60,TRP,4-PE M	1	SNA
..3		BN61-14943A	HOLDER-OC CABLE;75Q9F,PC,MOLD,TP0023,V-2	4	SNA
1		BN92-19698C	ASSY LABEL;7K	1	SNA
.2		0203-001598	TAPE-SINGLE FACE;FILAMENT,#8915,T0.15,W1	0	SNA
.2		BN68-07519B	LABEL-ENERGY;ALL JORDAN,WW,PP,T0.135,W60	1	SNA
.2		BN68-08409A	LABEL-RATING;QTV,WW,PP,T0.161,W150,L48,T	1	SNA
.2		BN68-08410W	LEAFLET-QUICK SETUP GUIDE;Q7F 49"55",W/W	1	SNA
1		BN92-19716D	ASSY BOX;7K	1	SNA
.2		BH68-00662A	LABEL BOX;ALL,ART PAPER,W60,L110,WHT,NO	1	SNA
.2		BN69-15959A	BOX UNIT;55Q7F,CB,DW3,F1,L1405,W155,H782	1	SNA
1		BN92-19737B	ASSY LABEL POP;7K	1	SNA
.2		BN68-08547J	LABEL POP-HIGHLIGHT;55Q7F,PET,T0.188,W13	1	SNA
1		BN92-21245A	ASSY P/MATERIAL;Q7C	1	SNA
.2		6902-001957	BAG ROLL;HDPE/PE FOAM,HDPE T0.018mm,T0.2	3	SNA
.2		6902-002233	BAG AIR;LDPE,-,T0.2,W900,L1850,TRP,-,-,-	1	SNA
.2		6922-000003	BAND;PP,T0.8,W18,L1650M,TRP,DA69-90145A	1	SNA
.2		BN02-00319B	TAPE-SINGLE FACE;OPP,T0.05,W75,L800M,CLE	3	SNA
.2		BN68-02422B	LABEL WARNING;ALL,ART PAPER,T0.05,W240,L	1	SNA
.2		BN69-03982N	PACKING ANGLE;ALL,PAPER,-,-,-,-,-,-,-	1	SNA
.2		BN69-05418N	WRAP;T0.017,750,2000000,2000000,750	0	SNA
.2		BN69-06640E	PAD-PACKING;TRUCK PAD,CB,-,W410,L2500,,	1	SNA
.2		BN69-06642A	PAD-DP SHEET;PAD,CB,SW4,,W1300,L1050,,,	1	SNA
.2		BN69-14429X	PALLET;QE55Q7FA,WOOD,-,1190,1420,H144,2-	1	SNA
.2		BN69-15184A	CUSHION-SET;55Q7F,EPS,16.7g/l,WHT,EXP-V	1	SNA
..3		0103-005099	RESIN EPS;BASF303,Natural,Natural	983	SNA

Level	Loc.	Part Code	Description & Specification	Qty.	SA/SNA
.2		BN69-15579A	PAD-EPE;55MU7000,EPE,W50,L680,WHT	2	SNA
.2		BN69-15601A	CUSHION-SET FRONT;55MU8000,EPS,33.3g/l,W	1	SNA
1	ACCE1	BN92-21247V	ASSY ACCESSORY;Q7C	1	SNA
.2		BN96-42193A	ASSY COVER P-CLEAN BACK TERMINAL;65Q7F,P	1	SA
..3		6902-000294	BAG PE;LDPE,T0.05,W160,L250,TRP,Hole Y,B	1	SNA
..3		BN63-16418A	COVER-CLEAN BACK TERMINAL;65Q7F,PC+ABS+E	1	SNA
.2	ACCE2	BN96-42874A	ASSY ACCESSORY-CABLE;Q7C,XN,ENG/FRA/DEU/	1	SNA
..3	T0268	3903-001184	CBF-POWER CORD;DT,EU,Angle,2P(C7),250V,2	2	SA
..3		4301-000103	BATTERY-ALKALINE;1.5V,750mAH,LR03,10.2x4	2	SNA
..3		BN59-01265A	REMOCON-SMART CONTROL;2017 TV,Samsung,14	1	SA
..3	M9889	BN63-01798B	CLOTH-CLEAN;CLOTH,SEA BLUE,ToC	1	SA
..3		BN68-08112A	LABEL-SECURITY;ALL,PET,T0.05,W55,L52,GLO	1	SNA
..3		BN68-08448A	LEAFLET-ACCESSORY KIT;QTV,EUROPE,W/P,W20	1	SNA
..3		BN69-13918A	BAG ACCESSORY;LDPE,T0.07,L350,W500,TRP,B	1	SNA
..3	EH03A	BN96-43169A	ASSY HOLDER P-RING;65Q8C,ABS,BLACK,V-0	1	SA
...4		6902-001404	BAG PE;LDPE,T0.05,W80,L100,TRP,Bio. N	1	SNA
...4		BN61-14912A	HOLDER-WALL RING;55Q7F,ABS,T2,BLACK,HB,1	4	SNA
.2	ACCE4	BN96-42900A	ASSY ACCESSORY-MANUAL;Q7F,XN,ENG/FRA/DEU	1	SNA
..3		6902-001964	BAG PE;LDPE,BIOBASED,T0.03,W200,L300,TRP	1	SNA
..3	T0527	BN68-00513A	LABEL-E PASS;ALL MODEL,WW,YUPO,W50,L15,W	3	SNA
..3		BN68-00514K	LEAFLET-WARRANTY;comm,Samsung,W.Europe,W	1	SNA
..3		BN68-07598A	LEAFLET-FICHE;ALL,W/P,0	1	SNA
..3		BN68-08114Q	LEAFLET-REGULATORY GUIDE;Q9F/Q8C/Q7C/Q7F	1	SNA
..3		BN68-08395B	MANUAL USERS;Q7F,XC,W/P,Cover-Snow White	1	SNA
1		BN95-03859A	PRODUCT LCD-SDC;CY-QM055FLLV2V/H,Q7F,BAS	1	SA
.2		0204-007677	COATING;TD 18740C,CLEAR,1.6	0	SNA
.2	SCREW	6001-002759	SCREW-MACHINE;CH,+,M3,L4,ZPC(BLK),SWRCH1	3	SA
.2		6001-003168	SCREW-MACHINE;CH,+,M3,L5,ZPC(BLK),SWRCH1	10	SNA
.2		BN68-05722A	LABEL-E PASS;POLYPROPYLENE,NON-COATING	1	SNA
.2		BN90-08785B	ASSY BACK LIGHT UNIT;55Q7F	1	SNA
..3		BN61-14507A	LGP;17Y_Q5_55INCH_LGP,MS,2.5	1	SNA
..3		BN61-14508A	OPTICAL SHEET-COMPLEX;17Y_Q5_55INCH_COMP	1	SNA
..3		BN61-14509A	OPTICAL SHEET-REFLECTOR;17Y_Q5_55INCH_RE	1	SNA
..3		BN61-14510A	OPTICAL SHEET-HIGH COLOR;17Y_Q7_55INCH_H	1	SNA
..3		BN96-42094A	ASSY FRAME P-MIDDLE BOTTOM;55Q7F,PC+GF10	1	SNA
...4		BN60-01546A	SPACER;55Q7F,PET/PU FOAM,L1215,WHITE,T1,	1	SNA
...4		BN61-14511A	FRAME-MIDDLE BOTTOM;55Q7F,PC+GF10%,V-2,W	1	SNA
..3		BN96-42100A	ASSY CHASSIS REAR P;55Q7F,EGI-SECC,T0.8	1	SNA
...4	SCREW	6001-002756	SCREW-MACHINE;BH,+,M3,L6,ZPC(WHT),SWRCH1	4	SA
...4	SCREW	6001-002759	SCREW-MACHINE;CH,+,M3,L4,ZPC(BLK),SWRCH1	6	SA

Exploded Views and Parts List

Level	Loc.	Part Code	Description & Specification	Qty.	SA/SNA
...4		6041-001068	RIVET-PH;6SR000032004301_Cr3+WH,SWRCH10A	14	SNA
...4		BN02-00535A	TAPE DOUBLE FACE;55Q7F,HN-HE020C,PET,T0.	2	SNA
...4		BN60-01548A	SPACER-FOAM;55Q7F,PE FOAM,ROLL,WHITE,T1.	1	SNA
...4		BN61-10550A	STUD-PEM;CORAL,SUM24L,T2.4,L4,PRESS,M3.5	4	SNA
...4	CB20	BN61-11982B	BRACKET-WALL;55KS7000,CR-SPCC,EXTRUSION,	4	SNA
...4		BN61-13557A	BRACKET-WIRE;55KS7000,SW-C,T1,60,SILVER	1	SA
...4		BN61-13557C	BRACKET-WIRE;55KS7000,SW-C,T1,280,SILVER	4	SA
...4		BN61-13557G	BRACKET-WIRE;55KS7000,SW-C,T1,490,SILVER	2	SA
...4		BN61-14521A	BRACKET-CLIP;55Q7F,SK5,T0.2,NATURAL	14	SNA
...4		BN61-14532A	BRACKET-LED PCB HEAT PLATE;55Q7F,Al,T1.5	4	SNA
...4		BN61-14544A	BRACKET-LED PCB HEAT PLATE LEFT RIGHT;55	2	SNA
...4		BN61-14570A	HOLDER-LGP TOP LEFT;55Q7F,TPE,MOLD,BK002	1	SNA
...4		BN61-14571A	HOLDER-LGP BOTTOM LEFT;55Q7F,TPE,MOLD,BK	1	SNA
...4		BN61-14572A	HOLDER-LGP TOP RIGHT;55Q7F,TPE,MOLD,BK00	1	SNA
...4		BN61-14573A	HOLDER-LGP BOTTOM RIGHT;55Q7F,TPE,MOLD,B	1	SNA
...4	AH358	BN61-14750A	HOLDER-REAR;55Q7F,ABS,MOLD,BK0007,HB	6	SNA
...4		BN63-16573A	INSULATOR-SMPS;49Q7F,PC,BLACK,L320,W255,	1	SNA
...4		BN63-16576A	INSULATOR-SOURCE PCB;55Q7F,PET,BLACK,L57	1	SNA
...4	CC04	BN64-03727A	CHASSIS-REAR;55Q7F,EGI-SECC,PRESS,T0.8,N	1	SNA
....5		BN01-00364A	STEEL;KS7000,EGI-SECC,0.8,755,AG	6022	SNA
...4		BN74-00053E	TAPE-SINGLE FACE;PAPER,3M2307,T0.14,W20,	1	SNA
...4		BN96-42126A	ASSY HOLDER P-SHEET;55Q7F,PC+GF10%,BLACK	3	SNA
....5		BN61-14506A	HOLDER-SHEET;55Q7F,PC+GF10%,MOLD,BK0007,	3	SNA
....5		BN61-14574A	HOLDER-SHEET FRONT;55Q7F,STS304,T0.2,NAT	3	SNA
...4	SB05A	BN96-42149A	ASSY BRACKET P-STAND LINK;55Q7C,HGI,NATU	1	SNA
....5		BN02-00278A	TAPE SINGLE FACE;Y13 SNB F9K,PET,T0.05,W	2	SNA
....5	CB18	BN61-14491A	BRACKET-STAND LINK;55Q7F,HGI,T2,NATURAL	1	SNA
....6		BN61-09605A	STUD-PEM;LED TV F6100,SUM24L,T0.8,L8,PRE	4	SNA
....5		BN63-16615A	INSULATOR-SHEET;55Q7F,PC,BLACK,L108,W25.	2	SNA
...4		BN96-42151H	FFC CABLE;Q7F 55",Fold,L800,12P,Q7F 55'	1	SNA
...4		BN96-42151J	FFC CABLE;Q7F 55",Fold,L1350,12P,Q7F 55	1	SNA
...3		BN96-42128A	ASSY FRAME P-MIDDLE BOTTOM FRONT;55Q7F,S	1	SNA
...4		0203-007016	TAPE-DOUBLE FACE;PU FOAM,T0.7,W3.2,L50M,	1	SNA
...4		BN02-00105A	TAPE SINGLE FACE;SNB,PET,T0.05,W8,L10,BL	2	SNA
...4		BN02-00489B	TAPE SINGLE FACE;55Q7F,PET,T0.22,W3.5,L7	2	SNA
...4		BN61-14517A	FRAME-MIDDLE BOTTOM FRONT;55Q7F,STS304,P	1	SNA
...3		BN96-42401A	ASSY LED BAR P;Q7F,ALUMINUM,CSP BendingP	2	SNA
.2		BN91-18523A	ASSY OPEN CELL-DECO;Q-TV,BN63-16353A	1	SNA
...3		0201-003164	ADHESIVE-UV;190024,CLEAR,UV, Acrylic	2	SNA
...3	FD01	BN63-16353A	COVER-DECORATION;55Q7F,STS304,T0.15,PRES	1	SNA



Level	Loc.	Part Code	Description & Specification	Qty.	SA/SNA
..3		BN96-42069A	ASSY OPEN CELL;LSF550FF01-M,16:9,Y17 120	1	SNA
...4		BN81-07437A	A/S-ADHESIVE ACF;LSJ400HL02-E,0201-00232	1	SNA
...4		BN81-07943A	A/S-ADHESIVE ACF;LSF320AN01-A,0201-00237	1	SNA
...4		BN81-15368A	A/S-IC DRIVER SOURCE;IC DRIVER SOURCE,LJ	1	SNA
...4		BN81-15374A	A/S-POLARIZER C/F;POLARIZER C/F,S010-126	1	SNA
...4		BN81-15381A	A/S-POLARIZER TFT;POLARIZER TFT,LJ01-112	1	SNA
...4		BN81-15398A	A/S-SOURCE PCB LEFT;SOURCE PCB LEFT,LJ94	1	SNA
...4		BN81-15405A	A/S-SOURCE PCB RIGHT;SOURCE PCB RIGHT,LJ	1	SNA
.2		BN96-42083A	ASSY CHASSIS FRONT P;55Q7F,Al,SILVER/ANO	1	SNA
..3		BN02-00467A	TAPE SINGLE FACE;KS9000,PET,T0.05,W10,L1	2	SNA
..3		BN02-00485A	TAPE SINGLE FACE;KS7000,PET,T0.05,W7,L50	2	SNA
..3		BN02-00486A	TAPE-DOUBLE FACE;PU FOAM,T0.5,W3.2,L33M,	3	SNA
..3		BN02-00489A	TAPE SINGLE FACE;55KS7500,PET,T0.22,W3,L	3	SNA
..3		BN02-00493B	TAPE SINGLE FACE;49KS9000,PET,T0.05,W5,L	2	SNA
..3		BN60-01528A	SPACER-FOAM;55Q5F,PE FOAM,ROLL,BLACK,T1.	3	SNA
..3		BN60-01539A	SPACER-FOAM;55Q7F,PE FOAM,L6.2,BLACK,T0.	1	SNA
..3		BN60-01542A	SPACER-PET;55Q7F,PET,L663.2,BLACK,T0.2,W	2	SNA
..3		BN60-01550A	SPACER-FOAM;55Q7F,PE FOAM,L6.2,BLACK,T0.	1	SNA
..3		BN60-01558A	SPACER-CONDUCTIVE;49Q7F,CONDUCTIVE FABRI	1204	SNA
..3		BN61-09308A	ADHESIVE-TP;F8K,GREEN,ACRYL	2	SNA
..3	AC155	BN64-03721A	CHASSIS-FRONT;55Q7F,Al,PRESS,EXTRUSION,S	1	SNA
..3		BN64-03749A	CHASSIS-FRONT BOTTOM;55Q7F,Al,-,EXTRUSIO	1	SNA
.2		BN96-42108A	ASSY COVER P-SOURCE PCB;55Q7F,EGI-SECC,P	1	SNA
..3		BN63-16351A	COVER-SOURCE PCB;55Q7F,EGI-SECC,T0.6,NAT	1	SNA
..3		BN63-16759A	INSULATOR-SOURCE PCB COVER RIGHT;55Q7,PE	1	SNA
..3		BN63-16762A	INSULATOR-SOURCE PCB COVER LEFT;55Q7,PET	1	SNA
.2		BN96-42500A	ASSY COVER P-LOGO;65Q7F,Al,SILVER,EXTRUS	1	SNA
..3		BN63-15453C	SHEET-PROTECTION COVER;KS7000,PO,T0.05,W	4	SNA
..3		BN63-16750A	COVER-LOGO;55Q7F,Al,EXTRUSION,SILVER	1	SNA